

[54] HOLDER FOR VACUUM CLEANER BAGS OR THE LIKE

[76] Inventors: Lucille C. Strobel; Gerald E. Strobel, both of 8305 Sprague Pl., New Carrollton, Md. 20784

[**] Term: 14 Years

[21] Appl. No.: 775,738

[22] Filed: Sep. 13, 1985

[52] U.S. Cl. D32/31; D3/30.1

[58] Field of Search D32/25, 31; D3/30.1; 24/306; 229/87 R; 206/472, 479, 363, 494; 139/389; 128/DIG. 15, 82; 150/52 C, 52 R; 281/34; 383/9, 11, 15, 89, 123; 15/257 A

[56] References Cited

U.S. PATENT DOCUMENTS

D. 288,624	3/1987	Hoard	D3/30.1
2,636,207	4/1953	Reece	15/257 A
3,150,664	9/1964	Noel	128/DIG. 15
3,699,959	10/1972	Garrahan et al.	128/DIG. 15
3,789,842	2/1974	Froimson	128/DIG. 15
3,817,245	6/1974	Kroeger	128/DIG. 15

4,570,792 2/1986 Conway 206/349

Primary Examiner—Wallace R. Burke

Assistant Examiner—Ruth Takemoto

[57] CLAIM

The ornamental design for a holder for vacuum cleaner bags or the like, substantially as shown and described.

DESCRIPTION

FIG. 1 is a perspective view of a holder for vacuum cleaner bags or the like showing our new design;

FIG. 2 is a side elevational view thereof, the opposite side being a mirror image;

FIG. 3 is a reduced perspective view thereof, showing the straps in an adjustable position;

FIG. 4 is a reduced perspective view thereof, showing the straps in another position;

FIG. 5 is a top plan view thereof; and

FIG. 6 is a bottom plan view thereof.

The checkered pattern which is fragmentarily shown in FIGS. 1, 3, 4, 5 and 6 is understood to represent a conventional fabric. The vacuum cleaners shown in broken lines in FIGS. 3 and 4 are for illustrative purposes only and form no part of the claimed design.

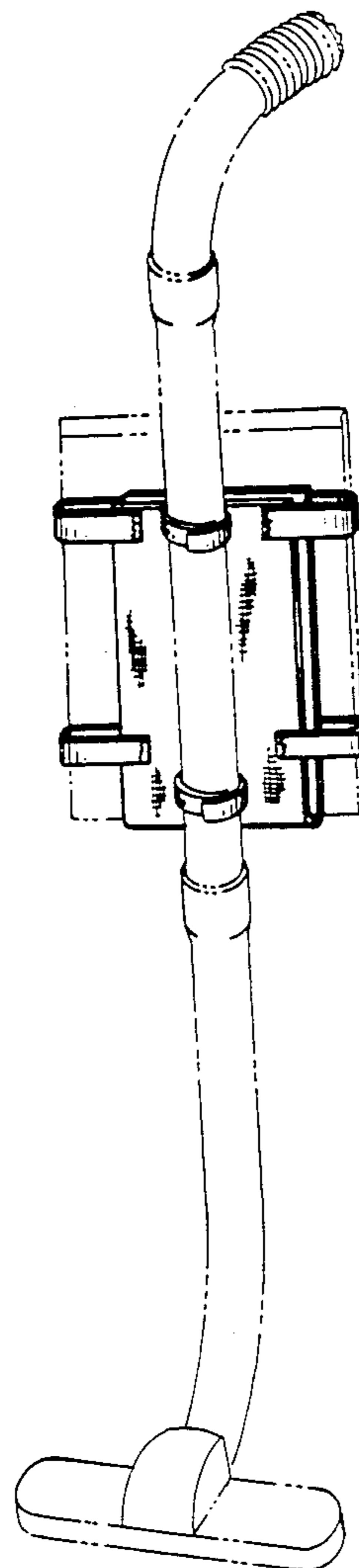
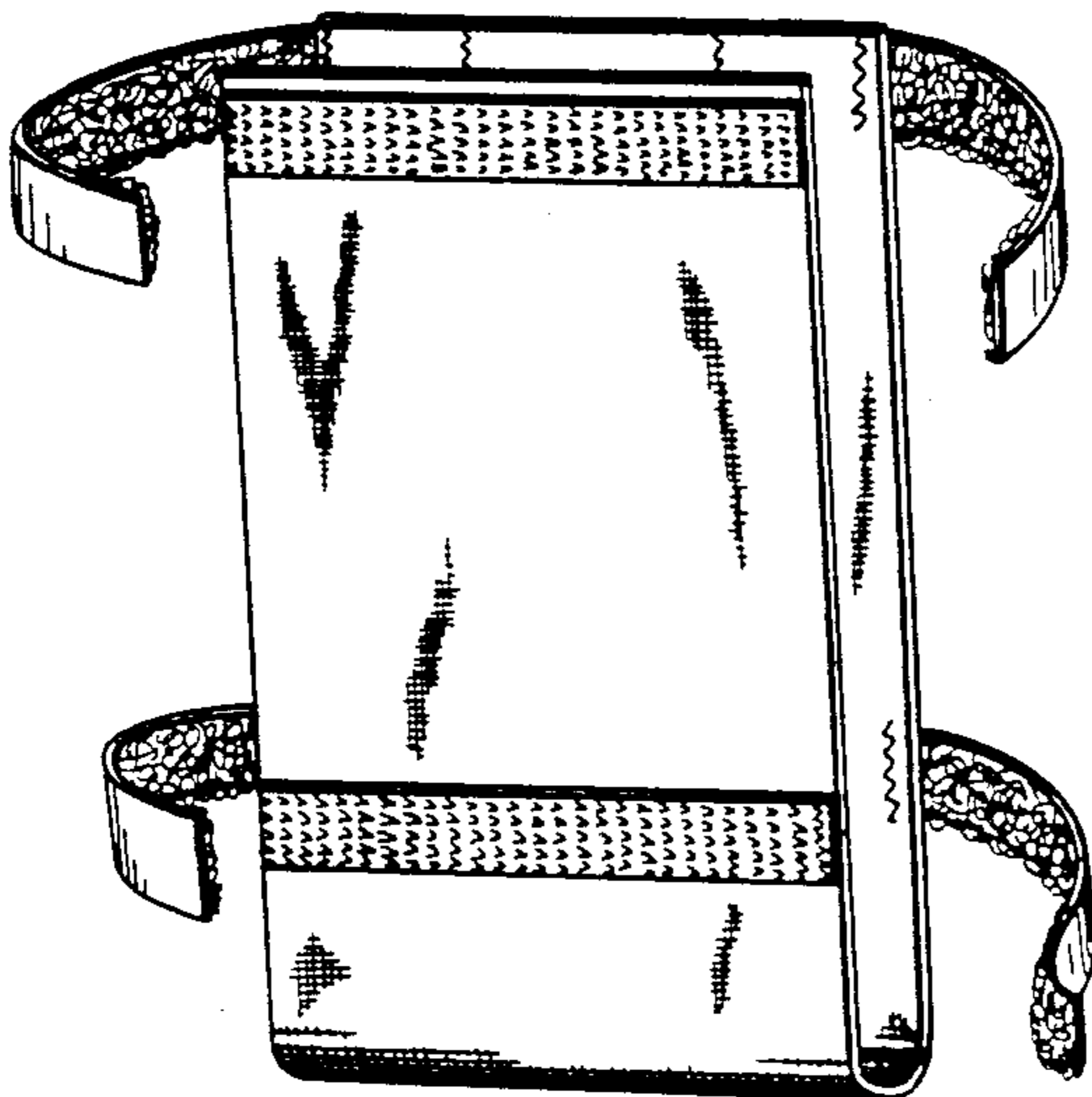


FIG. 3 is a reduced perspective view thereof, showing the straps in an adjustable position;

FIG. 4 is a reduced perspective view thereof, showing the straps in another position;

FIG. 5 is a top plan view thereof; and

FIG. 6 is a bottom plan view thereof.

The checkered pattern which is fragmentarily shown in FIGS. 1, 3, 4, 5 and 6 is understood to represent a conventional fabric. The vacuum cleaners shown in broken lines in FIGS. 3 and 4 are for illustrative purposes only and form no part of the claimed design.

Fig. 1

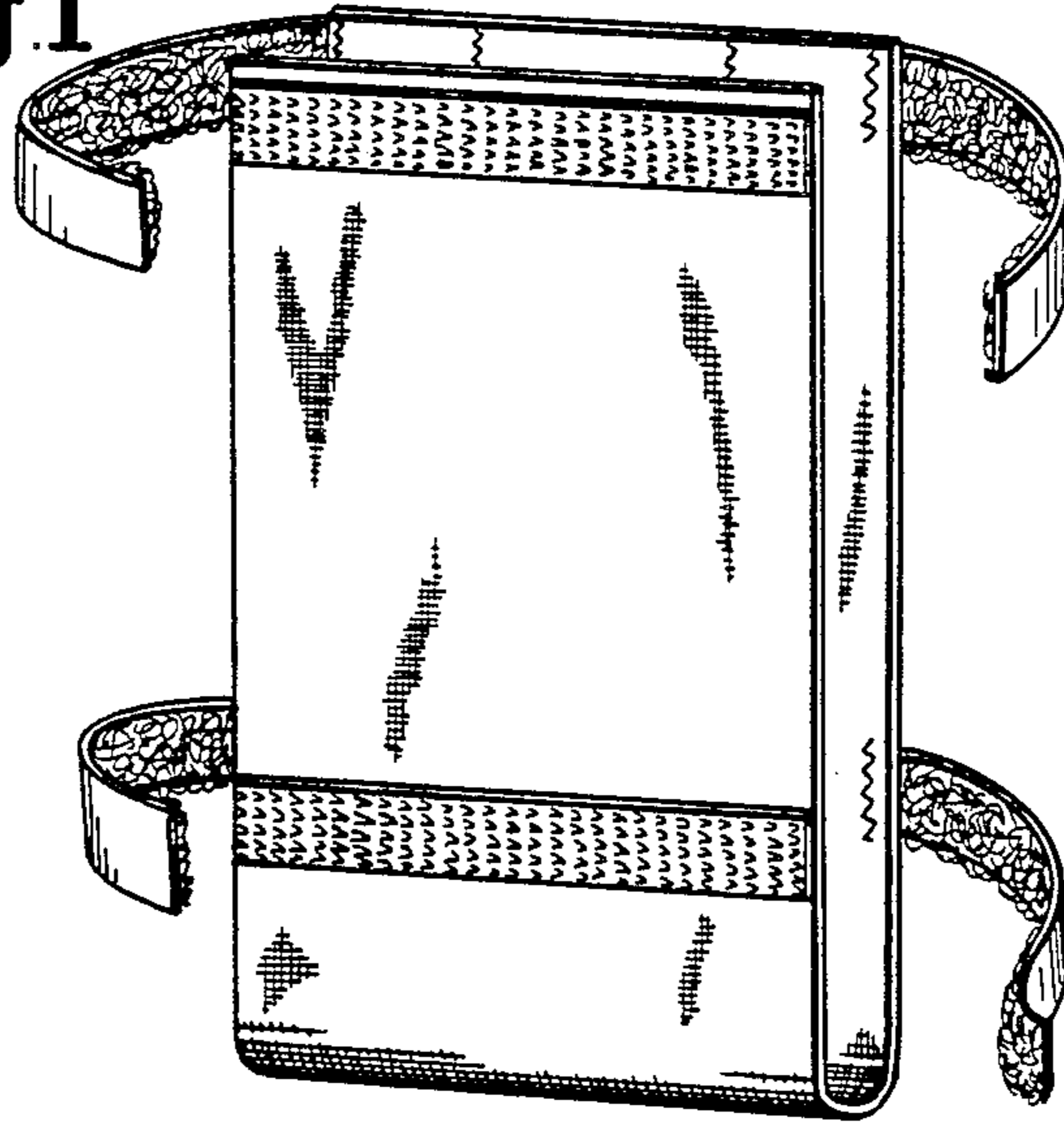


Fig. 2

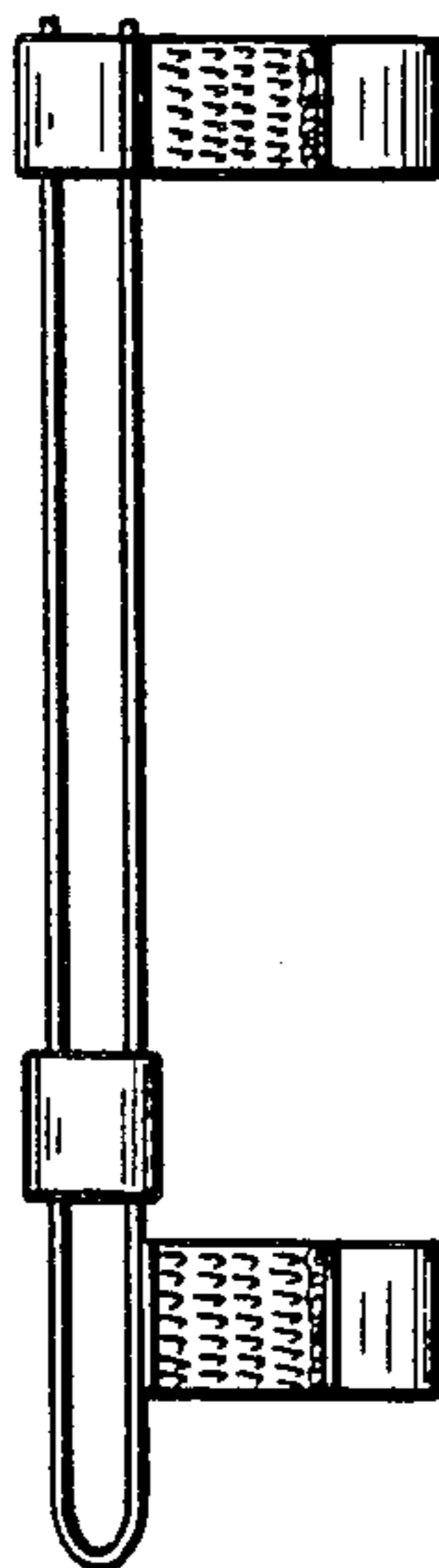


Fig. 3

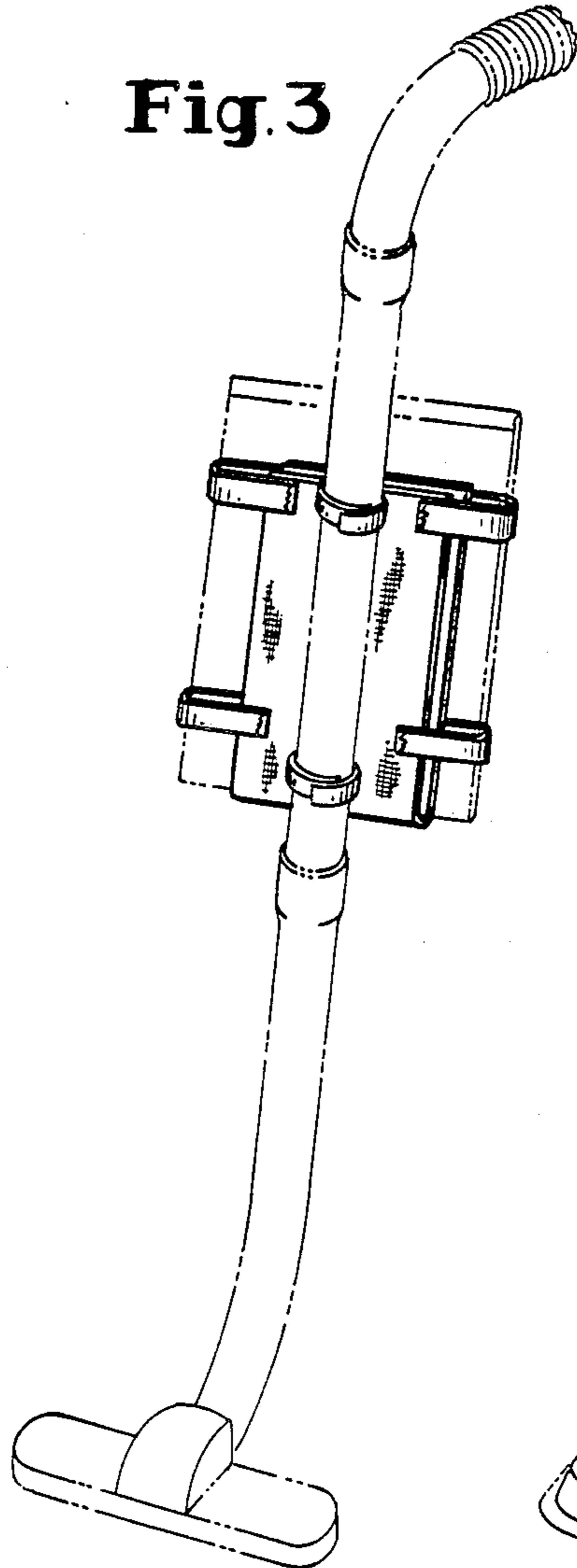
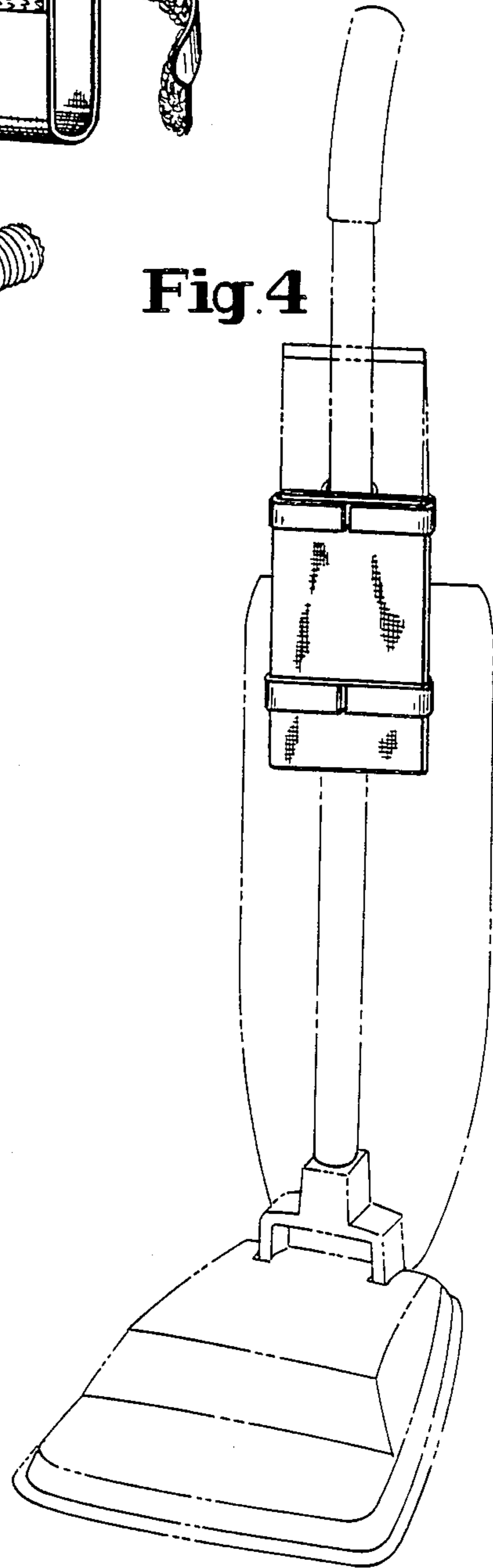


Fig. 4



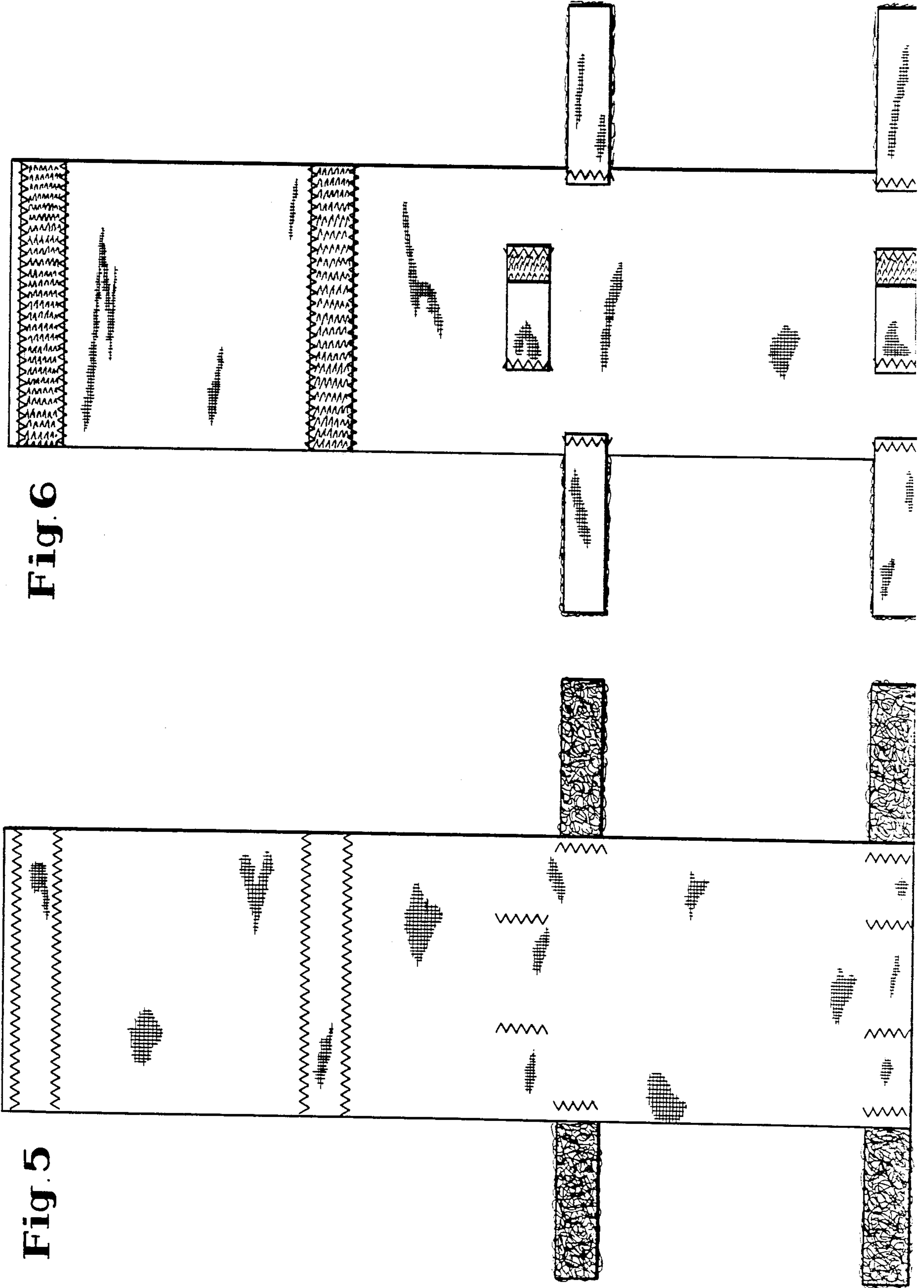


Fig. 6

Fig. 5