

[54] VEHICLE LIGHT

[75] Inventor: Matsuo Ichikawa, Takasaki, Japan

[73] Assignee: Ichikawa Press Industry Co., Ltd., Japan

[\*\*] Term: 14 Years

[21] Appl. No.: 774,341

[22] Filed: Sep. 9, 1985

[52] U.S. Cl. .... D26/29

[58] Field of Search ..... D26/28-36, D26/61, 63, 65; 362/61, 80-83, 267, 269

[56] References Cited

U.S. PATENT DOCUMENTS

- D. 271,426 11/1983 Yabata ..... D26/29
- D. 276,849 12/1984 Bailly ..... D26/29

4,277,818 7/1981 Urbanek et al. .... 362/61

Primary Examiner—Susan J. Lucas  
Attorney, Agent, or Firm—Lowe, Price, LeBlanc,  
Becker & Shur

[57] CLAIM

The ornamental design for a vehicle light, as shown and described.

DESCRIPTION

FIG. 1 is a front elevational view of a vehicle light showing my new design.  
 FIG. 2 is a rear elevational view thereof;  
 FIG. 3 is a side elevational view thereof;  
 FIG. 4 is a bottom plan view thereof;  
 FIG. 5 is a top plan view thereof;  
 FIG. 6 is a front perspective view thereof;  
 FIG. 7 is a rear perspective view thereof.

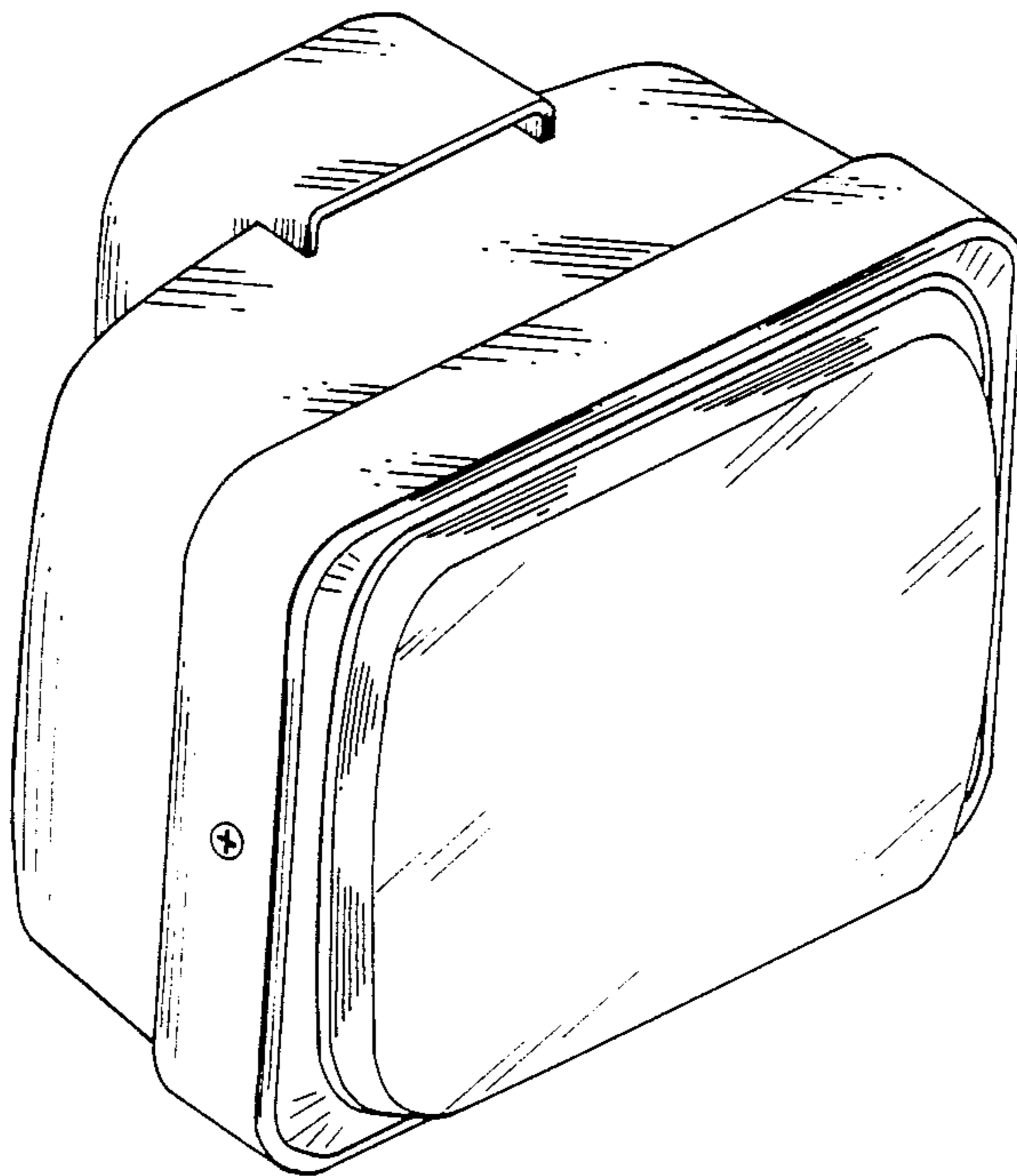


Fig. 1

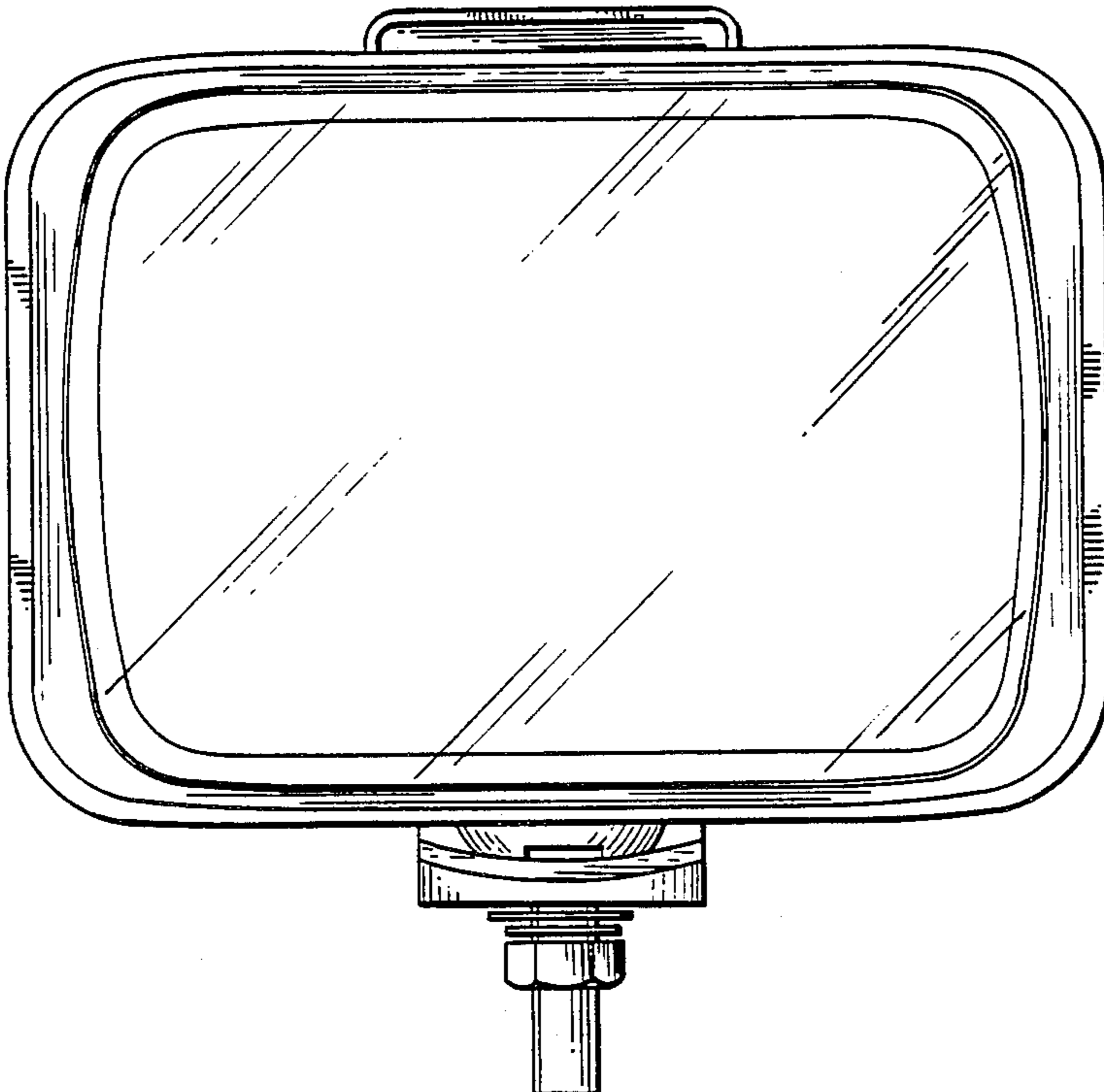


Fig. 2

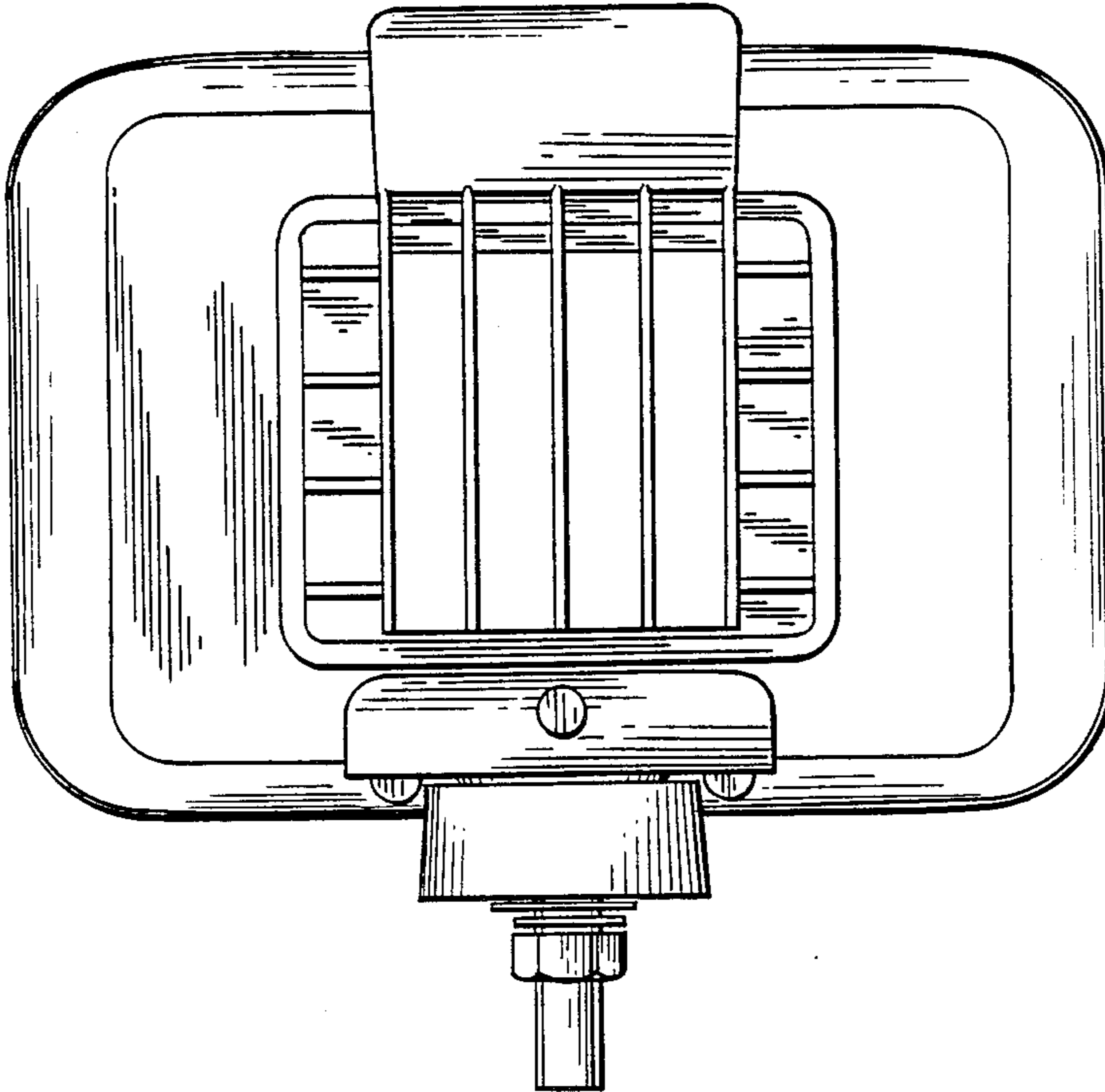


Fig. 3

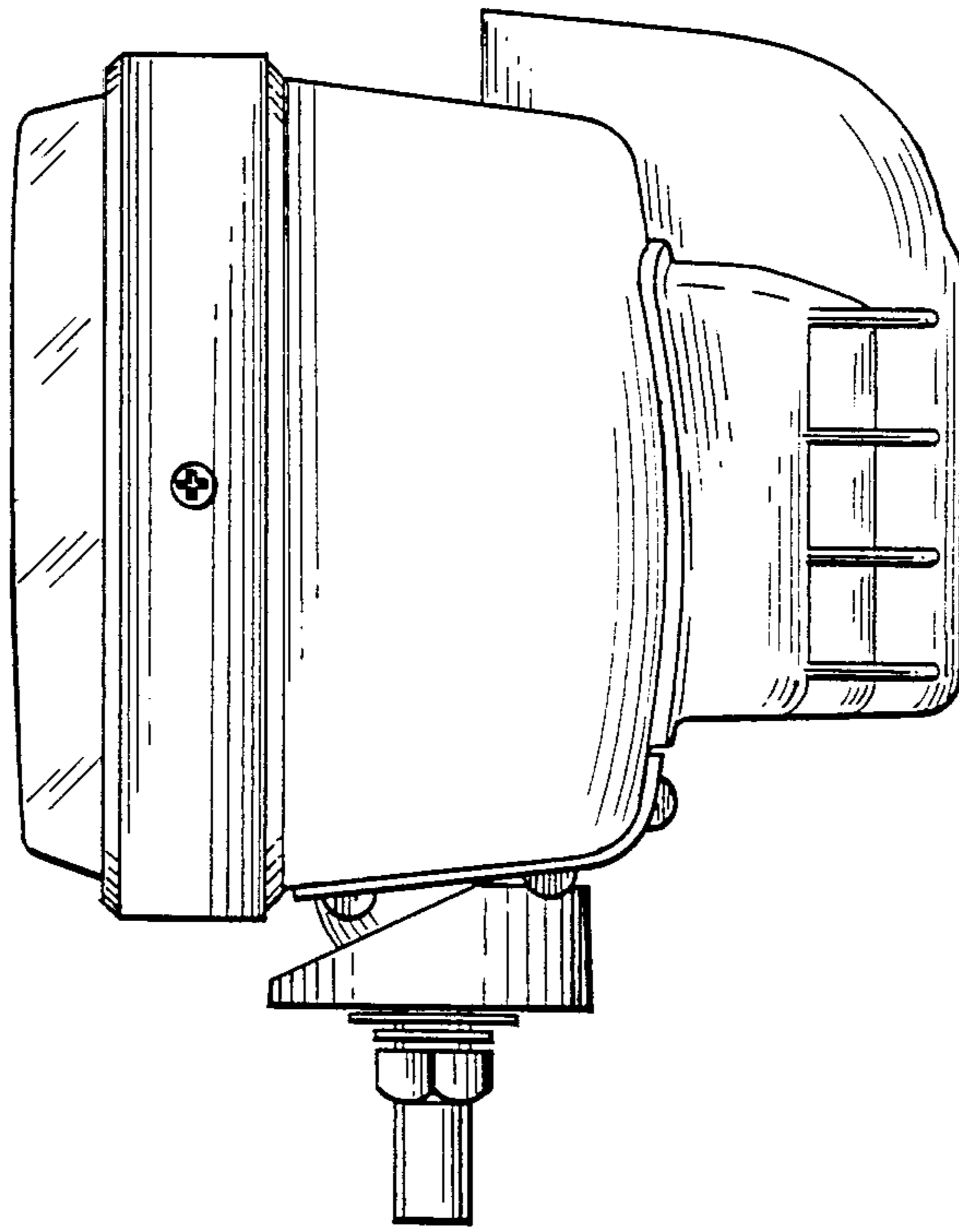


Fig. 4

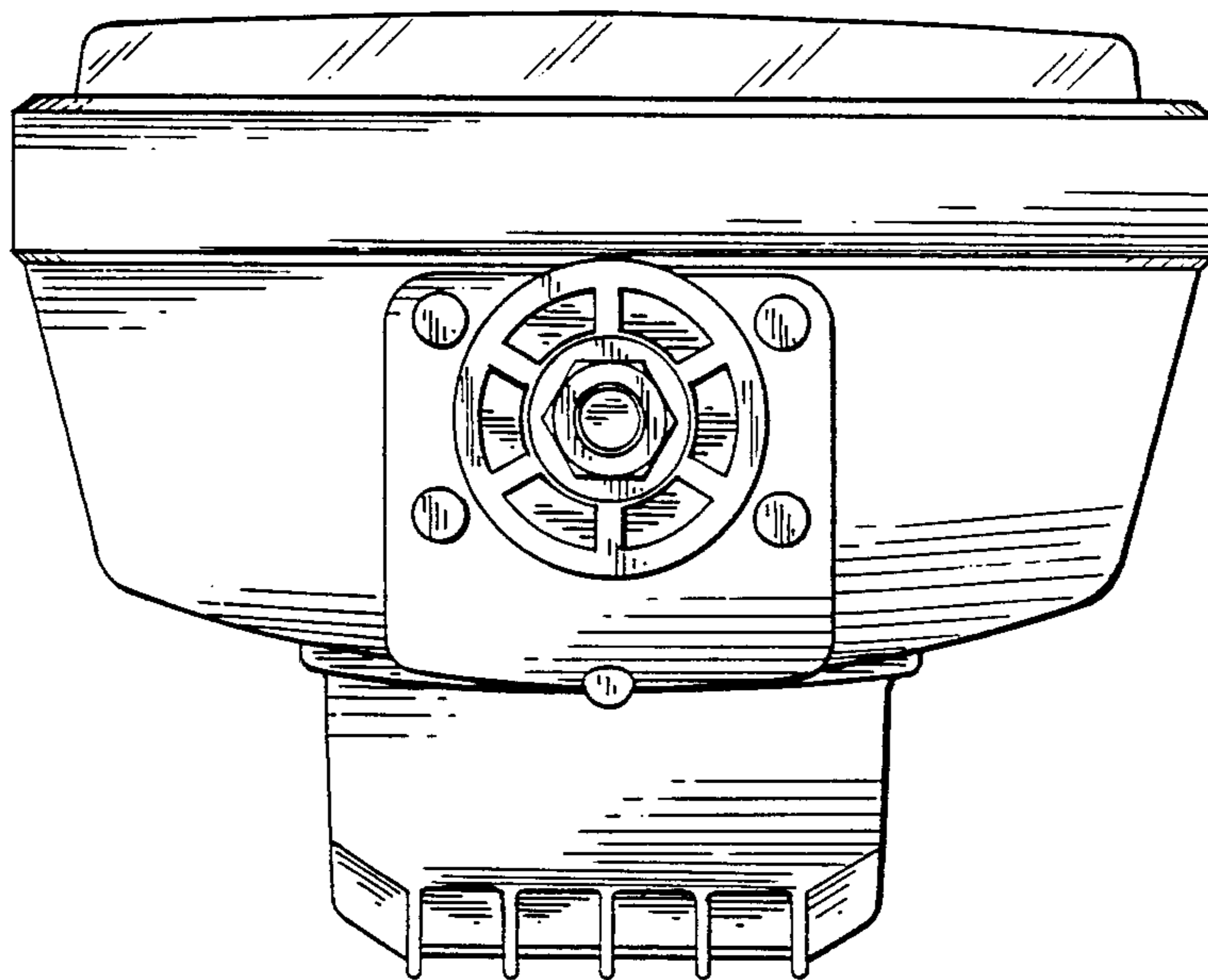


Fig.5

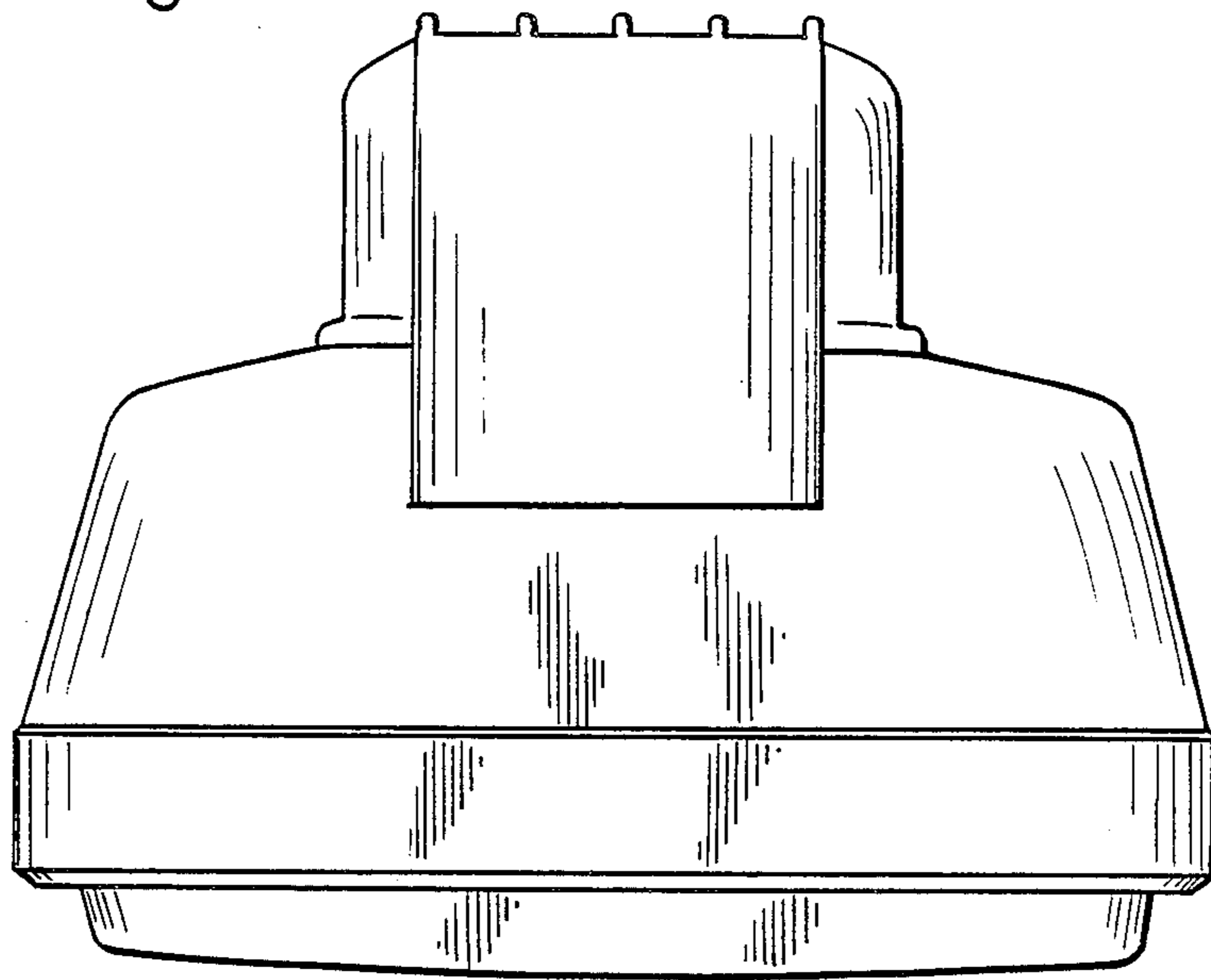


Fig.6

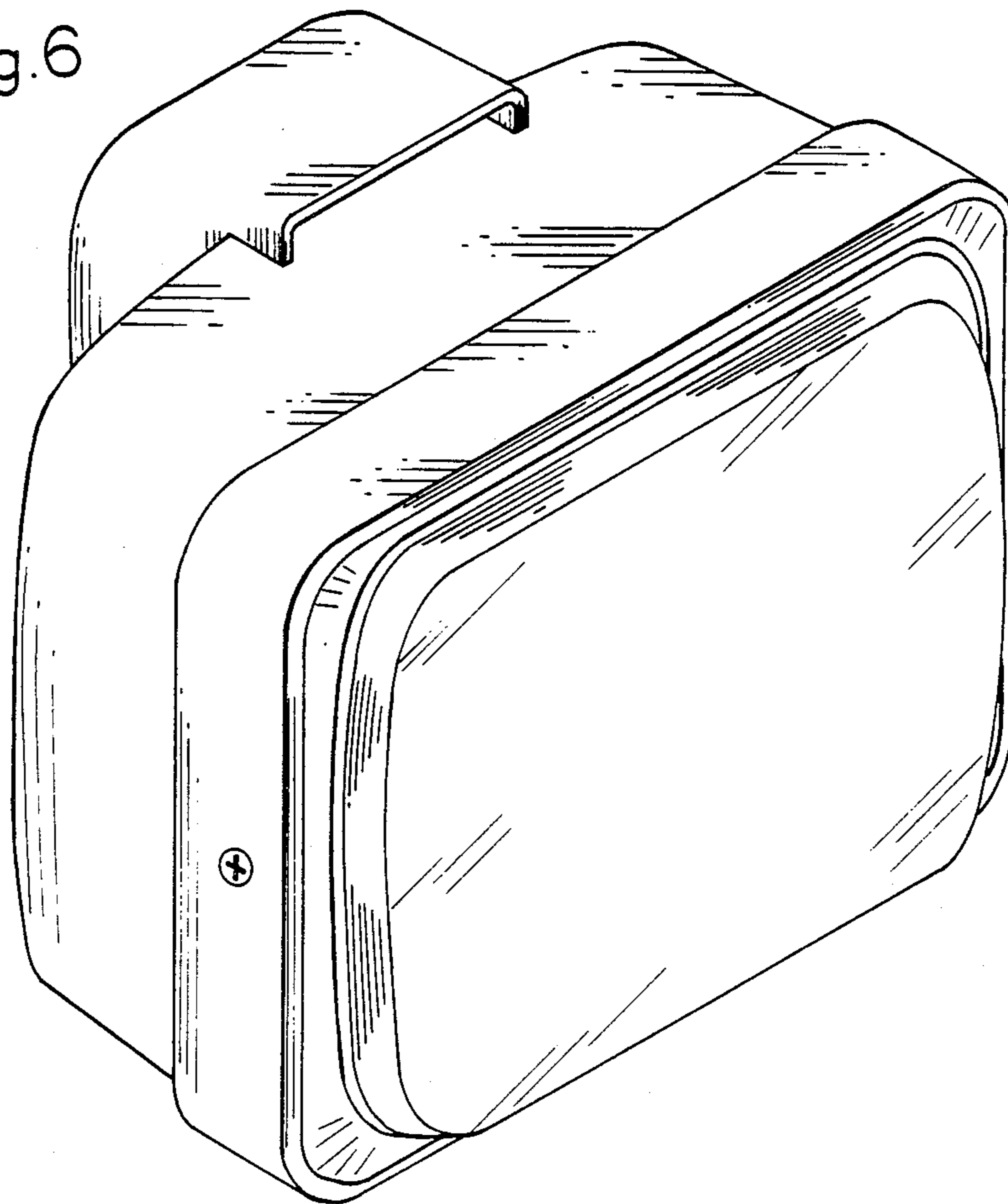


Fig. 7

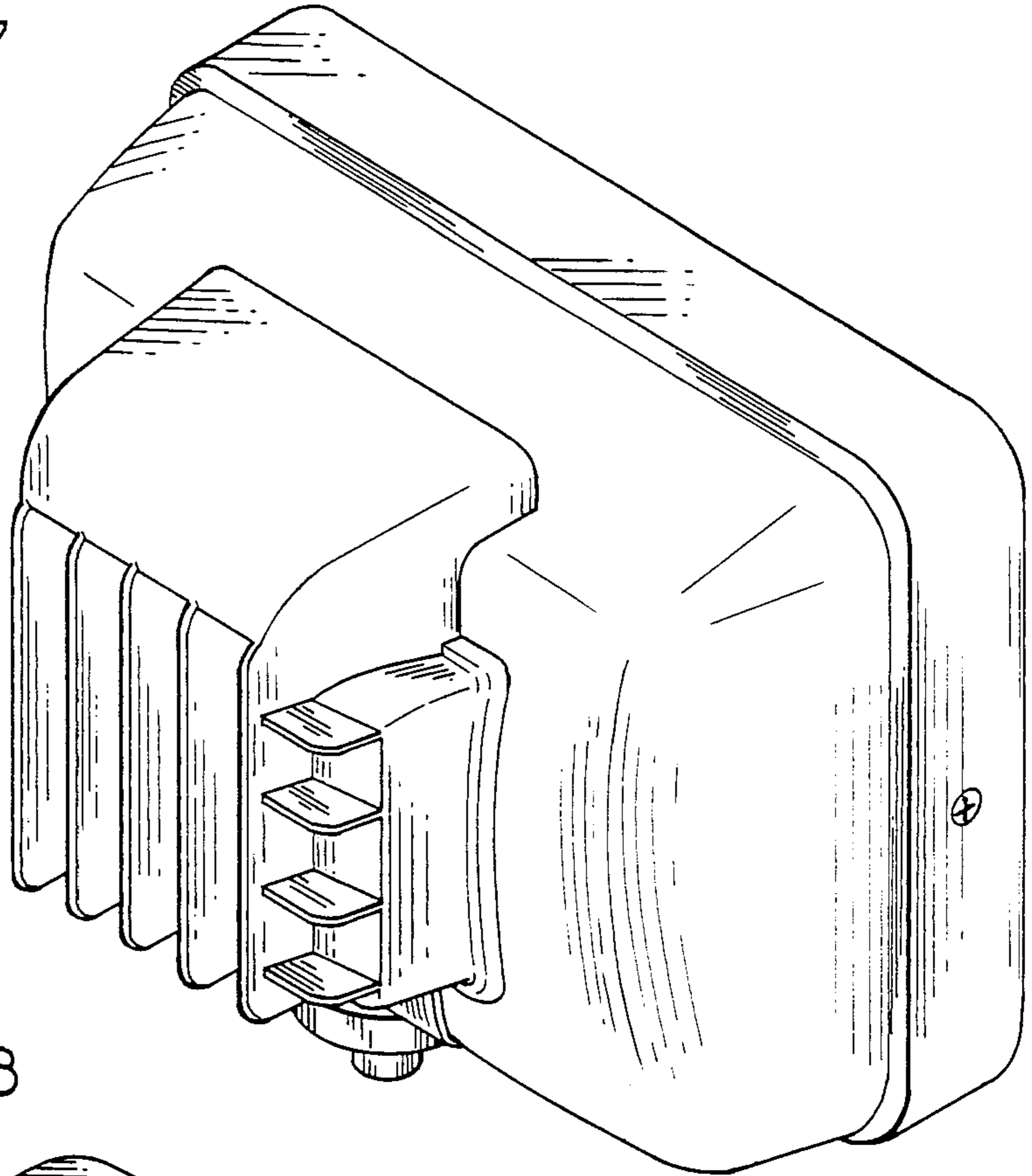


Fig. 8

