

[54] STYLET HOLDER

[75] Inventor: Vincent L. Vaillancourt, Livingston, N.J.

[73] Assignee: Sherwood Medical Company, St. Louis, Mo.

[**] Term: 14 Years

[21] Appl. No.: 743,754

[22] Filed: Jun. 12, 1985

[52] U.S. Cl. D24/54

[58] Field of Search D24/29, 8, 54; 604/54, 604/77, 95, 96, 165, 164, 166, 170, 283; 128/200.26, 207.14

[56] References Cited

U.S. PATENT DOCUMENTS

D. 264,133	4/1982	Genese	D24/54
4,191,186	3/1980	Keeler	604/164
4,388,076	6/1983	Waters	604/165
4,571,239	2/1986	Heyman	604/165 X
4,613,329	9/1986	Bodicky	604/165 X
4,659,328	4/1987	Potter et al.	604/164 X

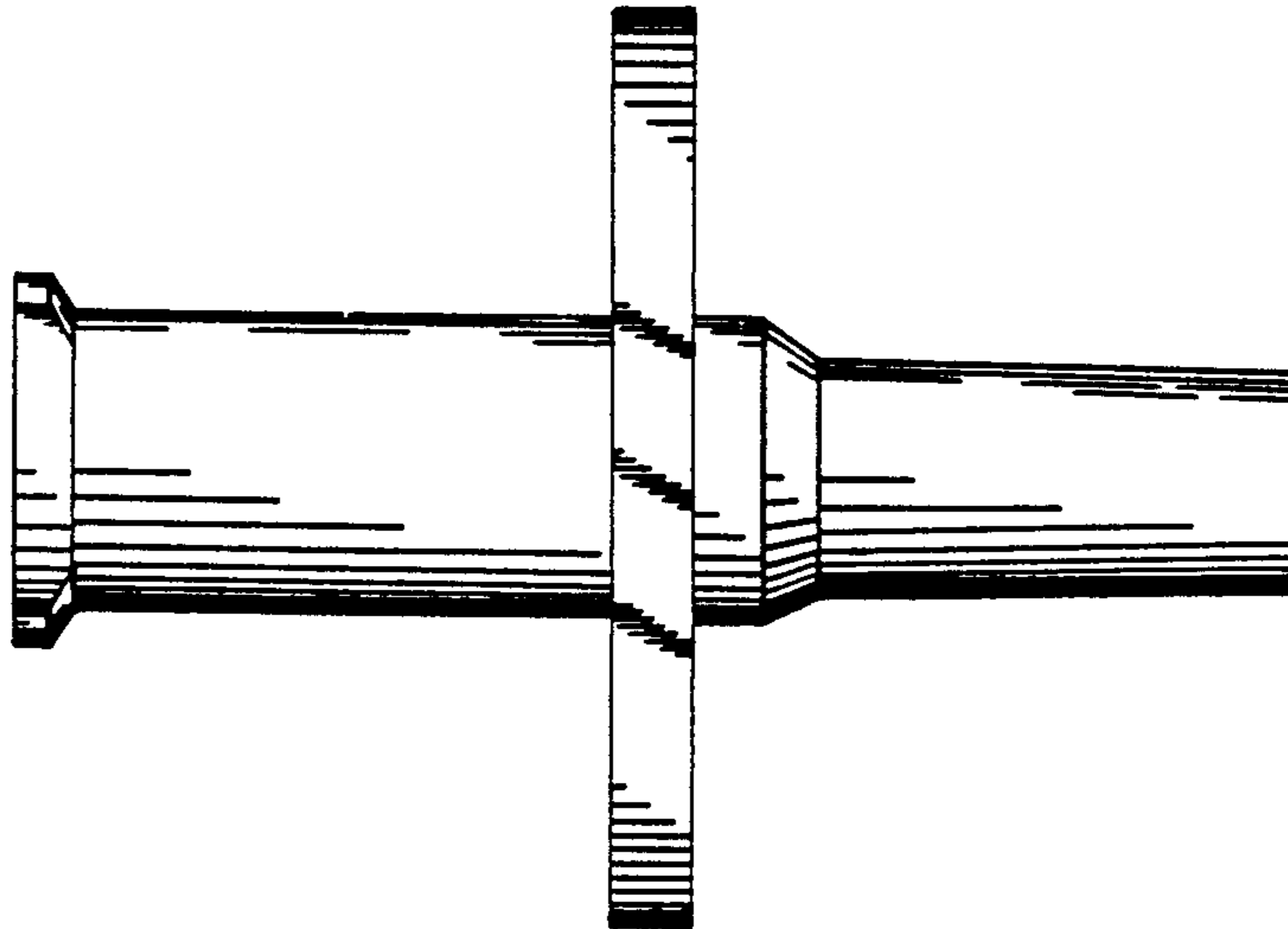
Primary Examiner—A. Hugo Word
Assistant Examiner—Stella M. Reid
Attorney, Agent, or Firm—Kenyon & Kenyon

[57] CLAIM

The ornamental design for a stylet holder, as shown.

DESCRIPTION

FIG. 1 is a side elevational view of a stylet holder showing my new design;
FIG. 2 is a left end elevational view thereof;
FIG. 3 is a right end elevational view thereof; and,
FIG. 4 is a top plan view thereof.



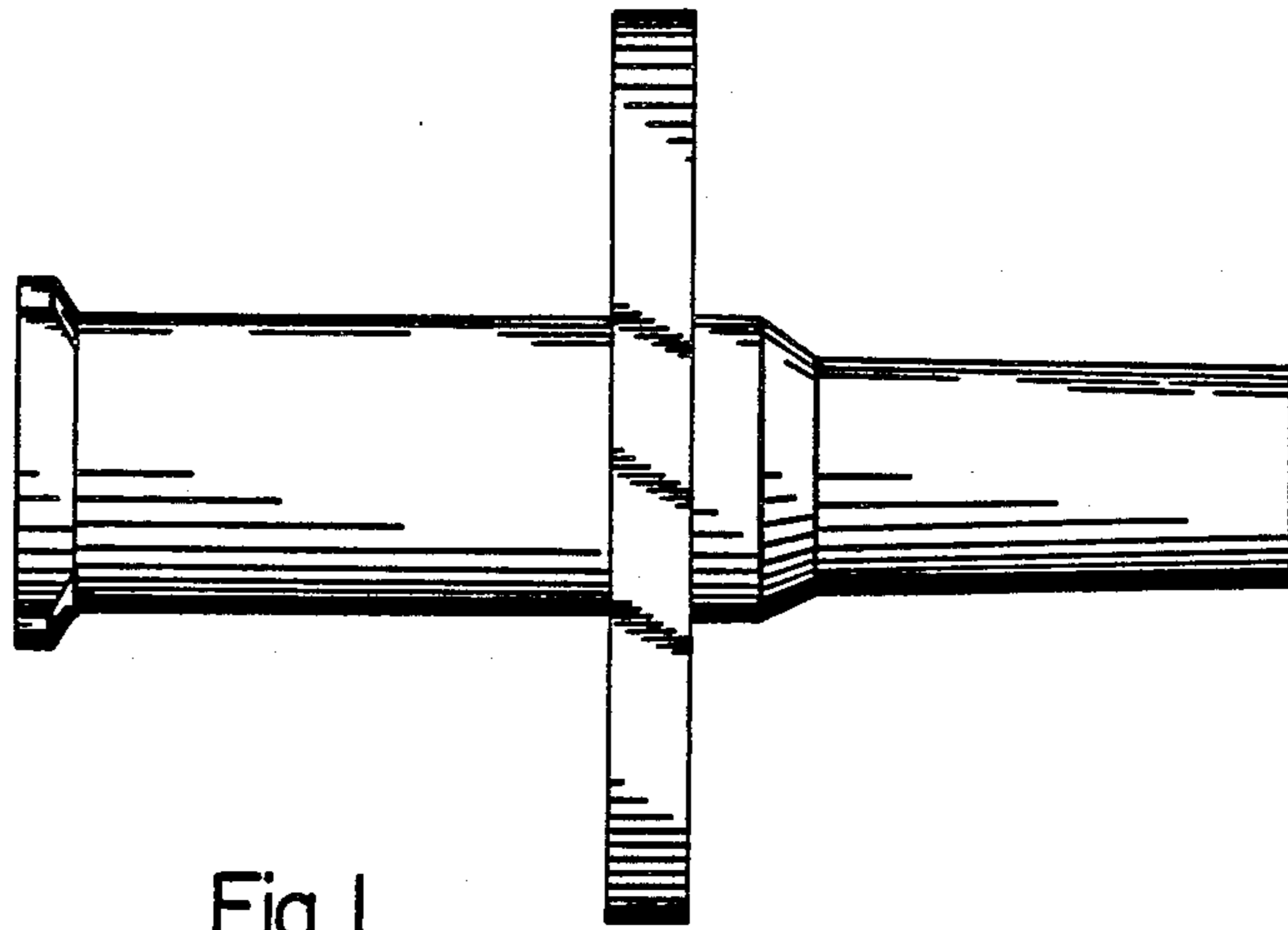


Fig. 1

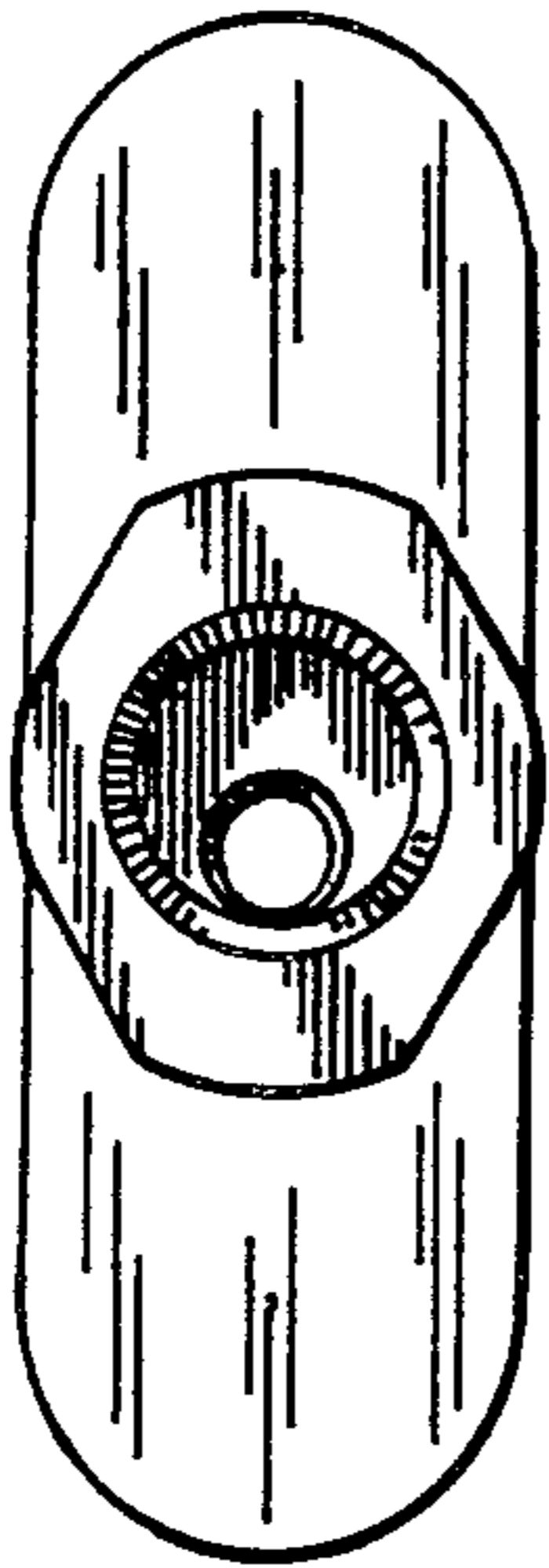


Fig. 2

Fig. 3

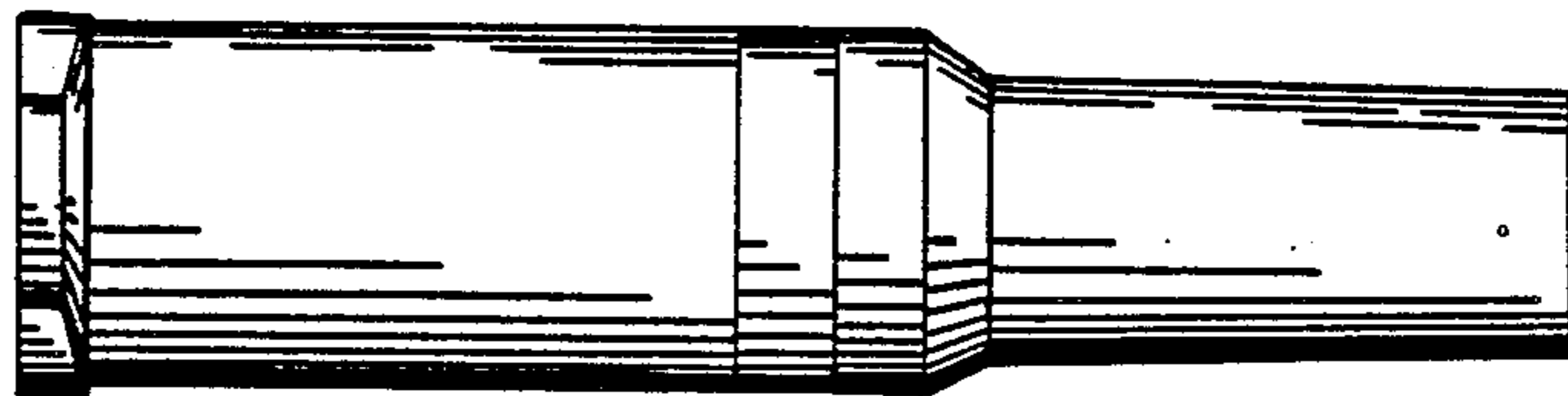
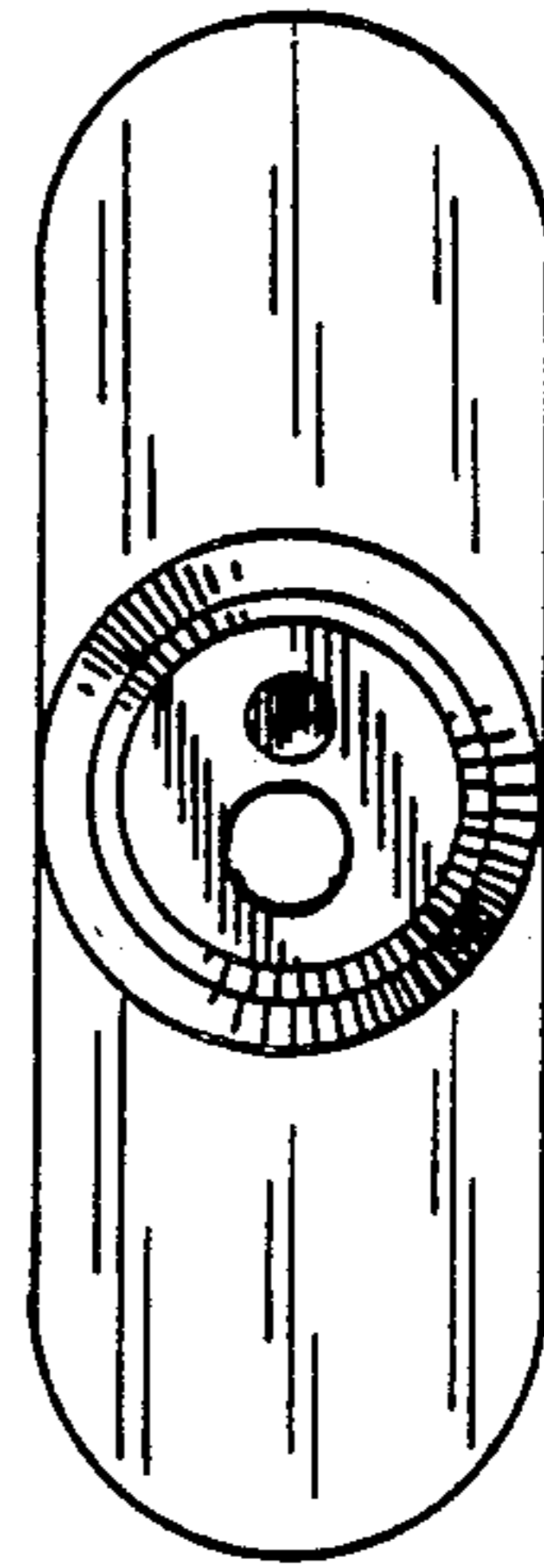


Fig. 4