

- [54] MEDICAL EQUIPMENT TRAY
- [75] Inventors: Gordon T. Guth, Evanston; James D. Morrow, Oak Park; Lois R. Sherry, Northfield, all of Ill.
- [73] Assignee: Abbott Laboratories, North Chicago, Ill.
- [\*\*] Term: 14 Years
- [21] Appl. No.: 695,313
- [22] Filed: Jan. 18, 1985
- [52] U.S. Cl. .... D24/31
- [58] Field of Search ..... D24/31; D9/345, 347; 206/562, 563, 564, 45.14

- 3,650,393 3/1972 Reiss et al. .
- 4,085,845 4/1978 Perfect .
- 4,148,273 4/1979 Hollingsworth et al. .
- 4,282,824 8/1981 Lafferty .
- 4,318,477 3/1982 Kerpe .
- 4,349,338 9/1982 Heppler .
- 4,383,615 5/1983 Aquino .

Primary Examiner—A. Hugo Word  
 Assistant Examiner—Stella M. Reid  
 Attorney, Agent, or Firm—Steven F. Weinstock; Martin L. Katz

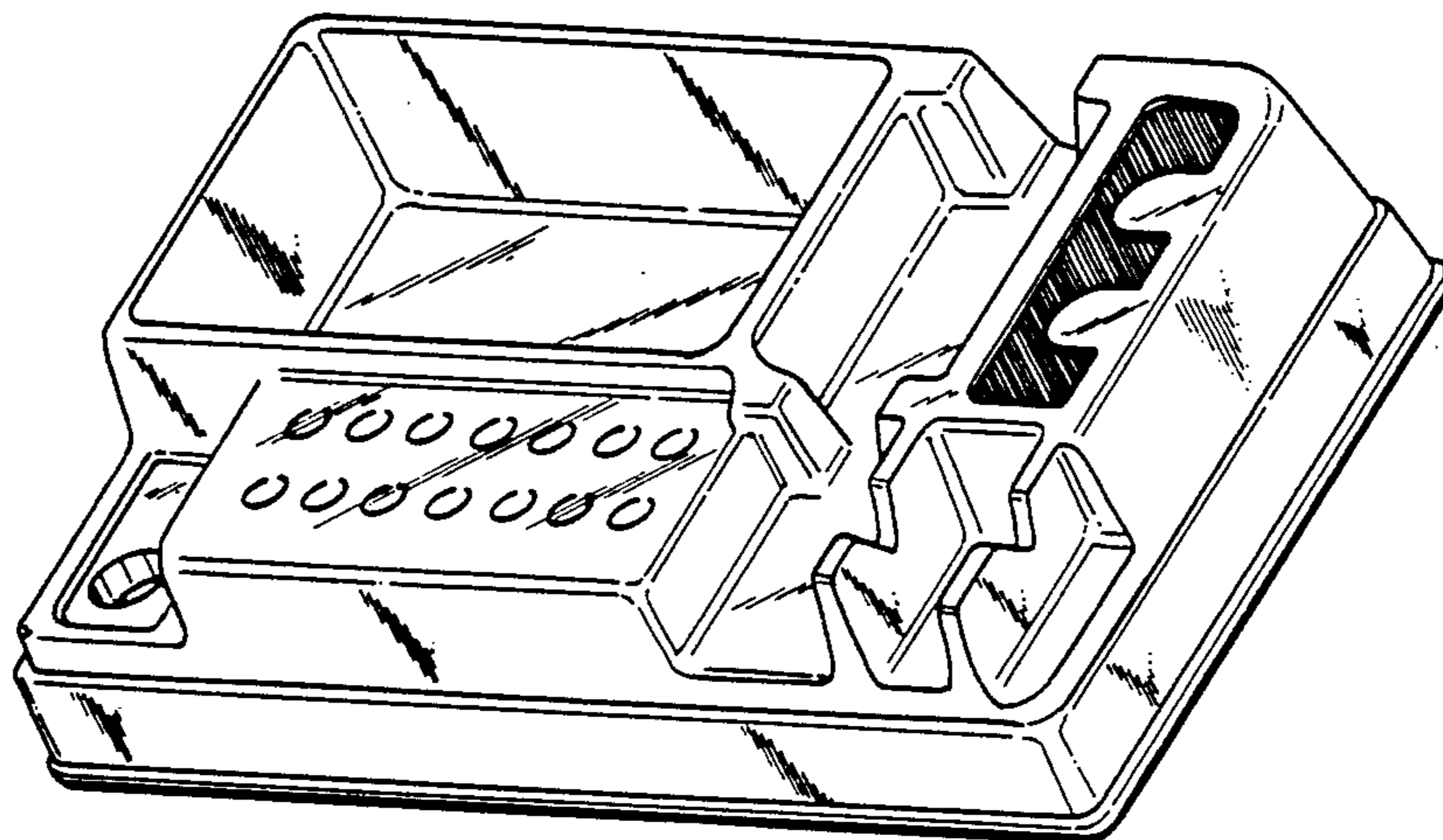
[57] CLAIM

The ornamental design for a medical equipment tray, substantially as shown.

DESCRIPTION

FIG. 1 is a front perspective view of a first embodiment of a medical equipment tray showing our new design; FIG. 2 is a rear perspective view thereof; FIG. 3 is a top plan view thereof; FIG. 4 is a bottom plan view thereof; FIG. 5 is a front perspective view of a second embodiment of FIG. 1; FIG. 6 is a rear perspective view thereof; FIG. 7 is a top plan view thereof; and FIG. 8 is a bottom plan view thereof.

- [56] References Cited
- U.S. PATENT DOCUMENTS
- D. 226,266 2/1973 Rem .
- D. 237,317 10/1975 Nowakowski .
- D. 241,377 9/1976 Whitacre .
- D. 252,342 7/1979 Brady .
- 2,523,877 9/1950 Pestolesi .
- 2,790,547 4/1957 Sutton .
- 3,348,894 10/1967 De Berry .
- 3,533,371 10/1970 Gronemeyer et al. .



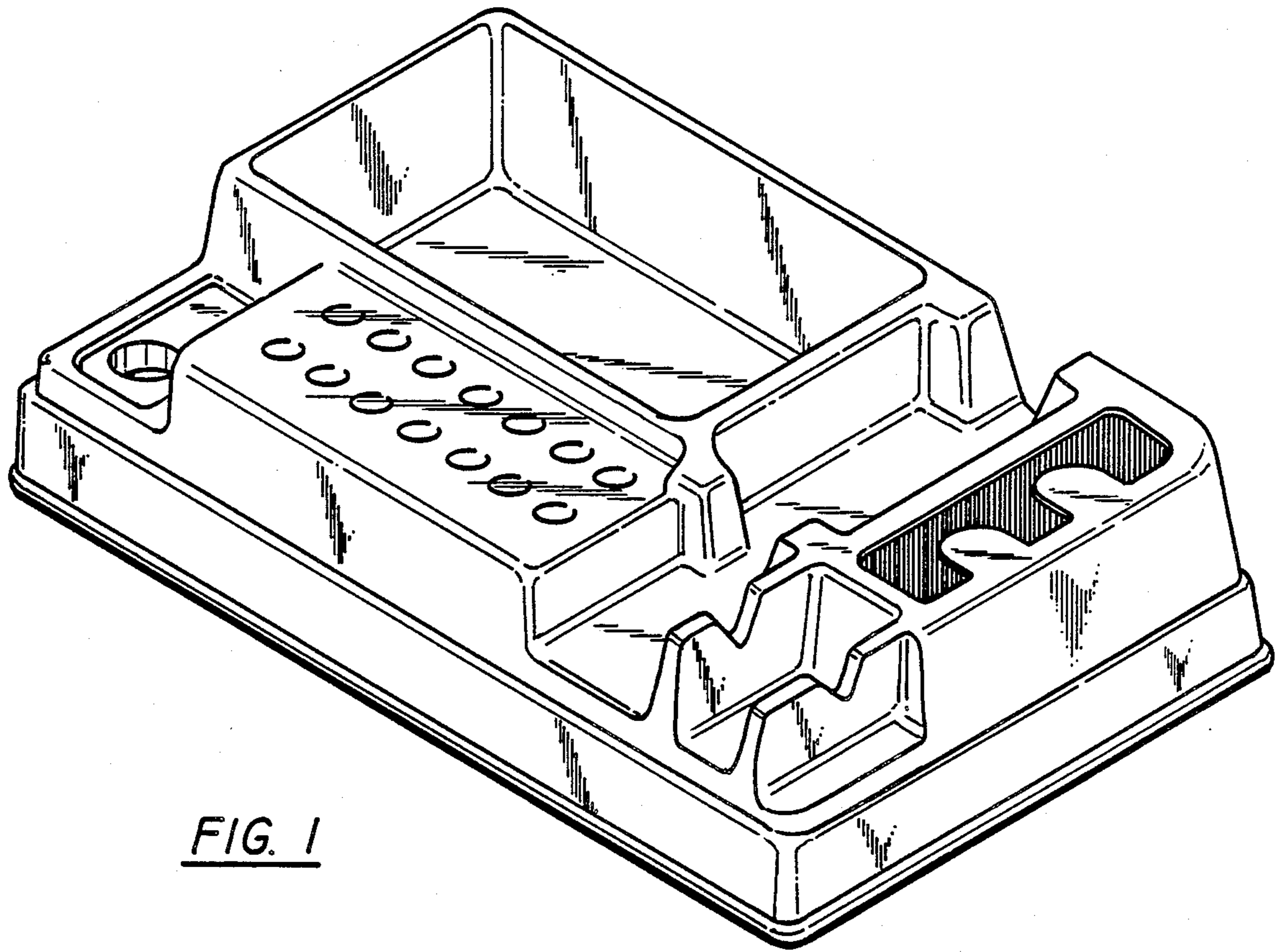


FIG. 1

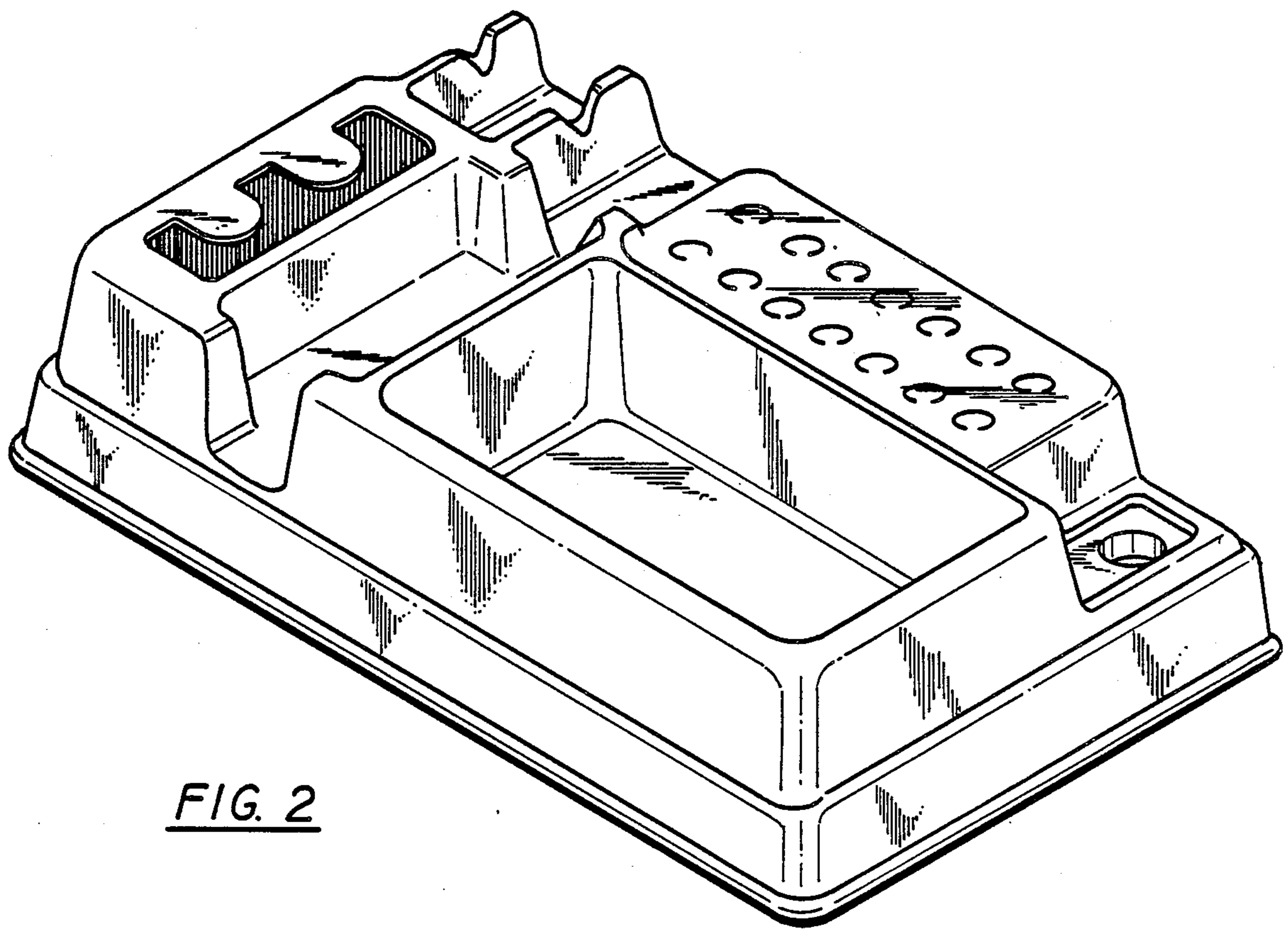


FIG. 2

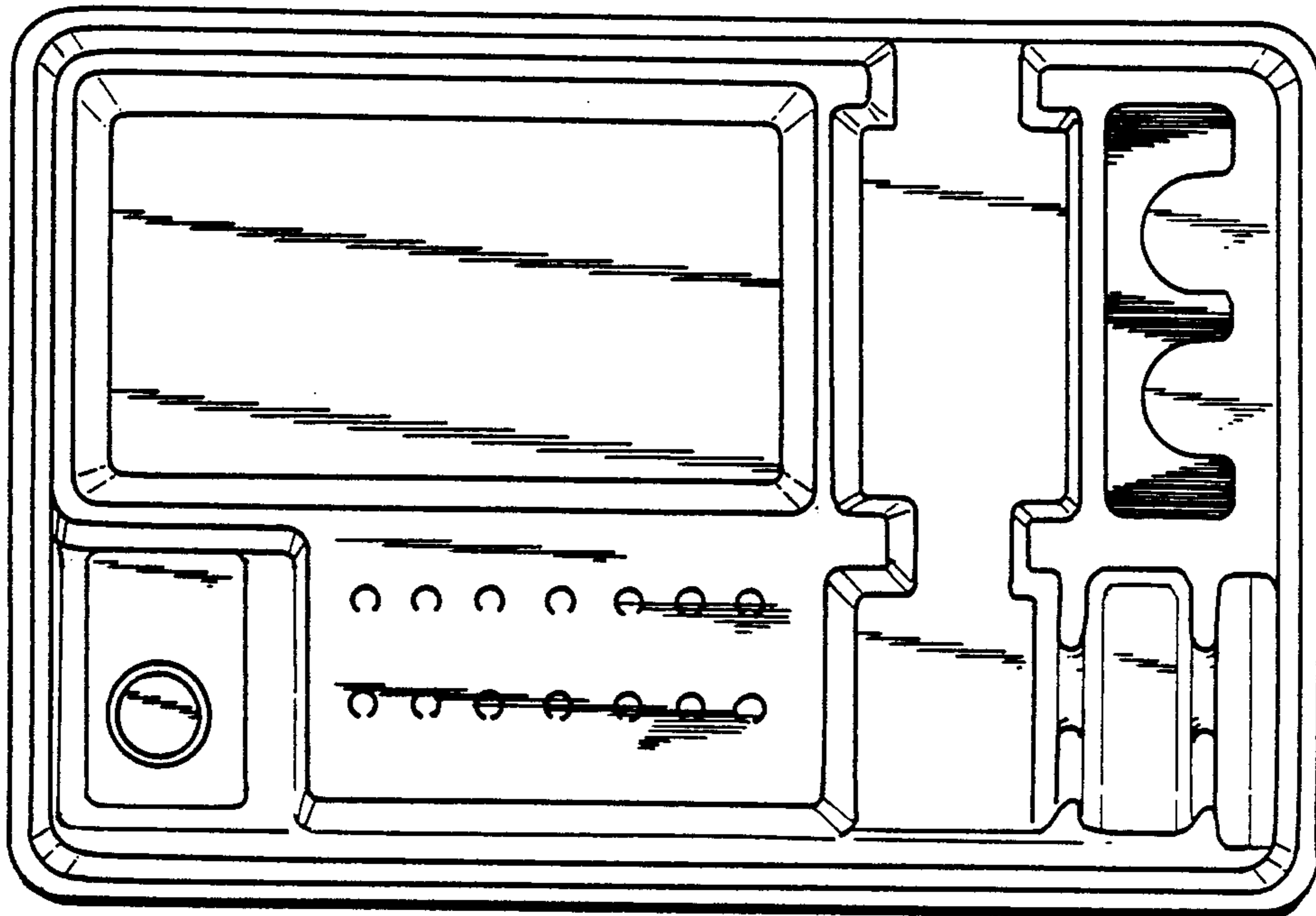


FIG. 3

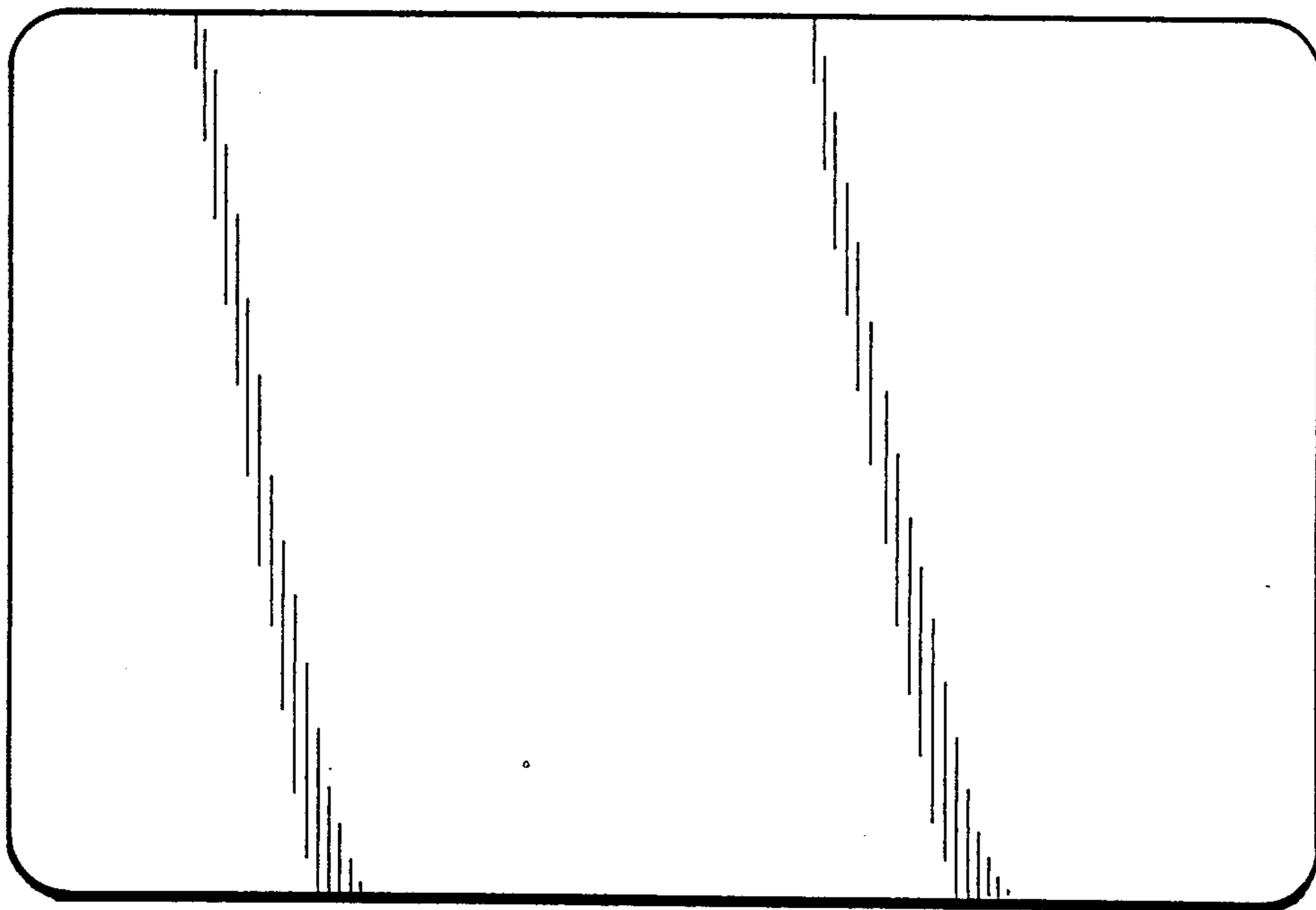


FIG. 4

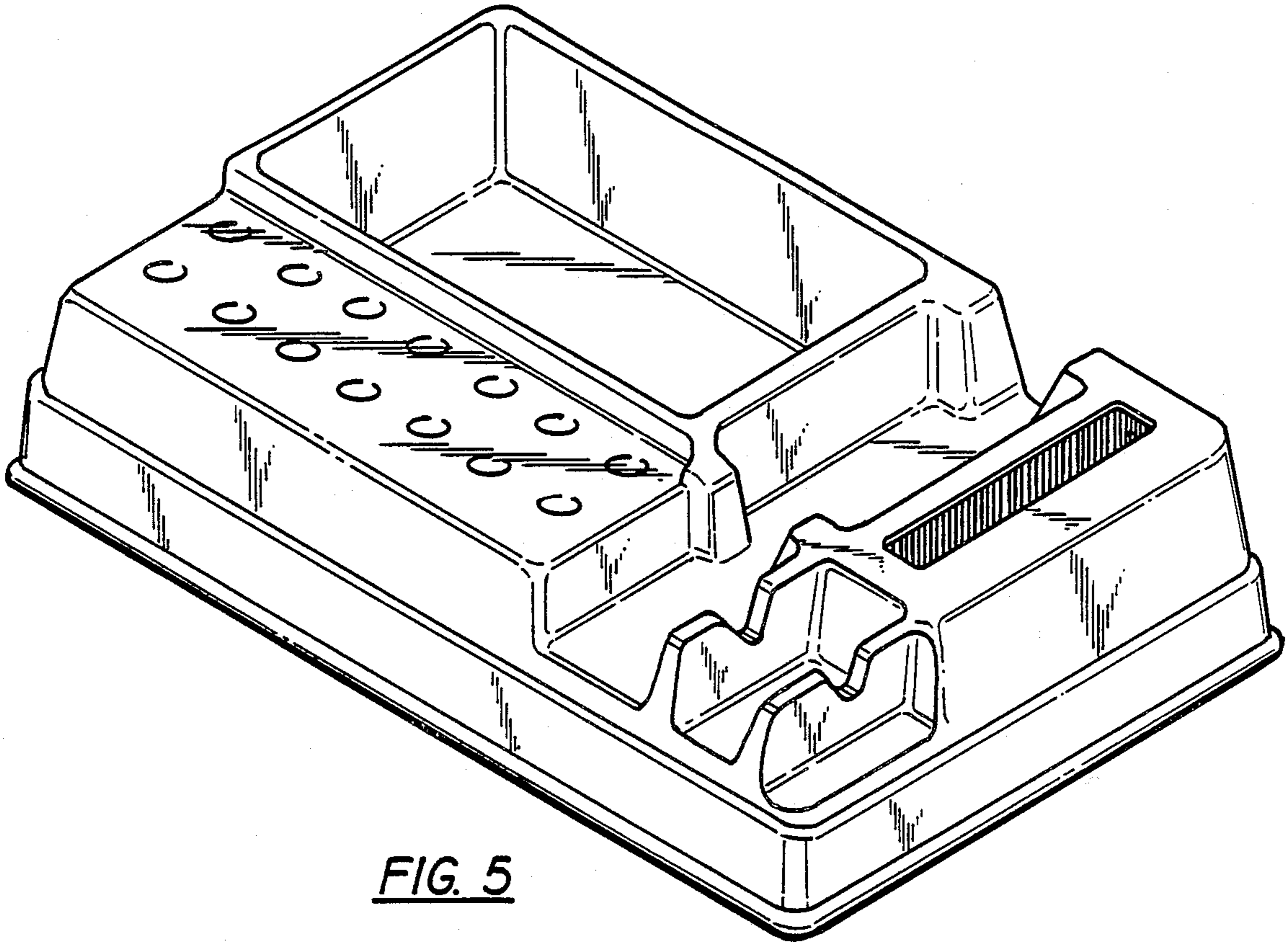


FIG. 5

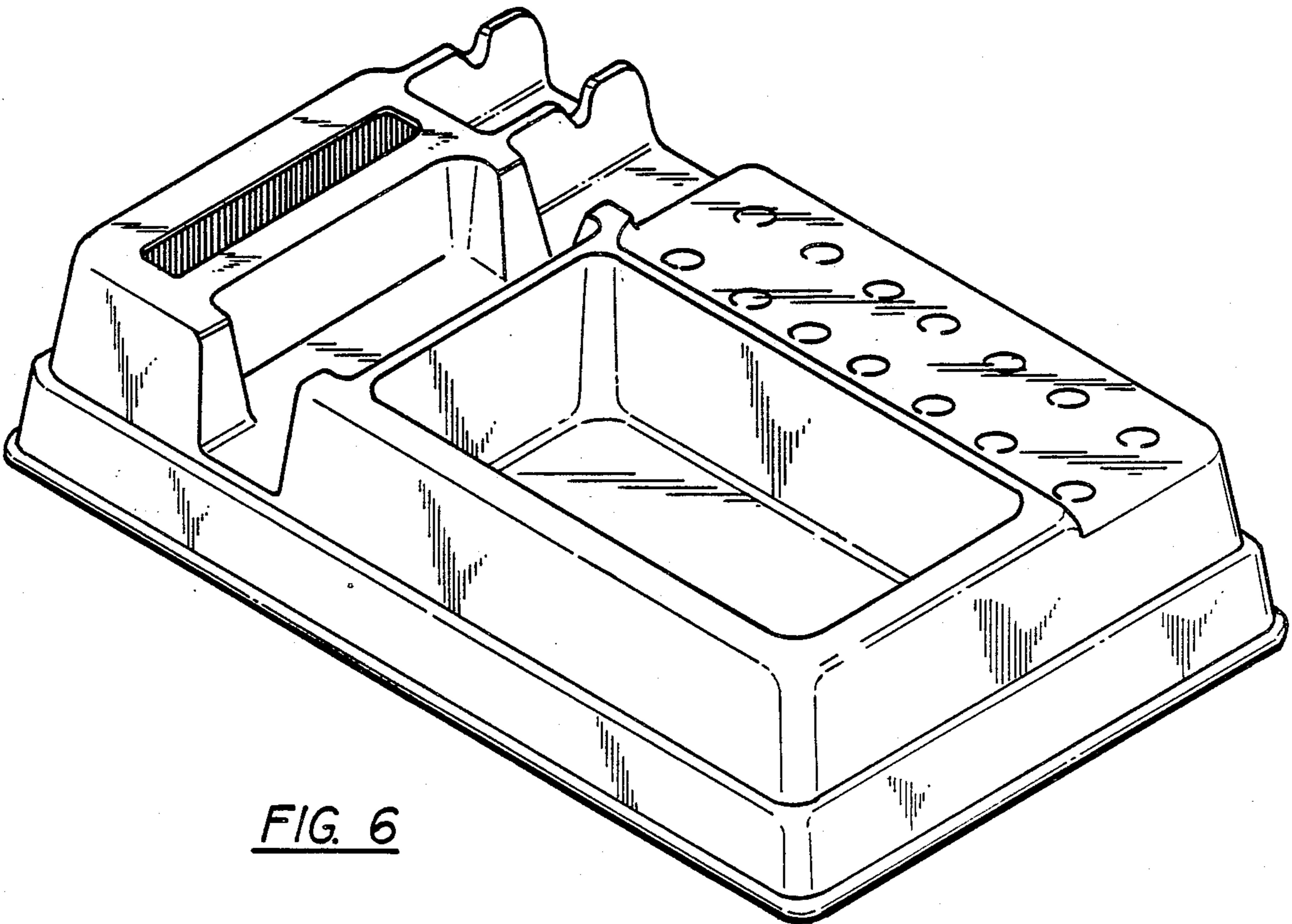


FIG. 6

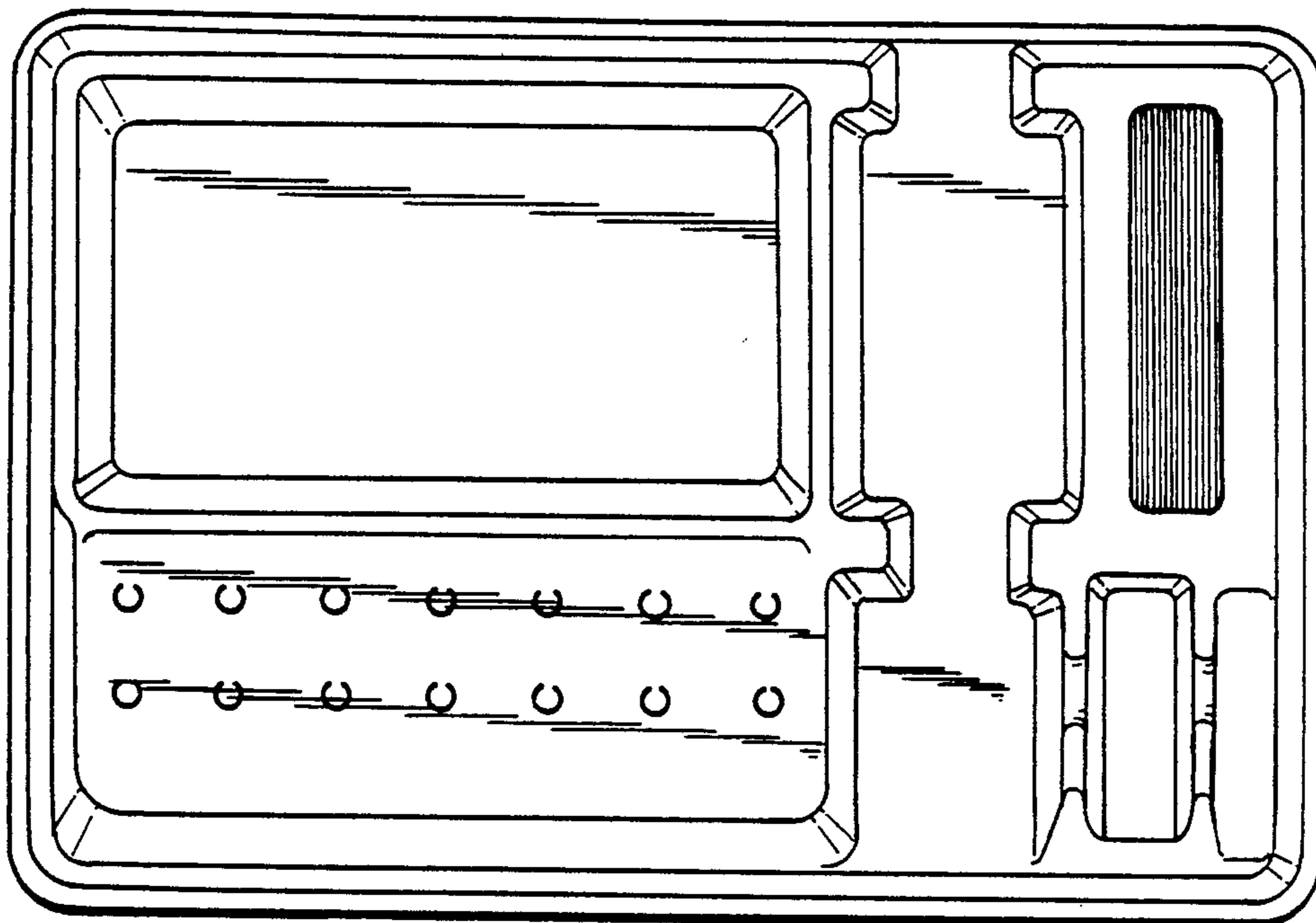


FIG. 7

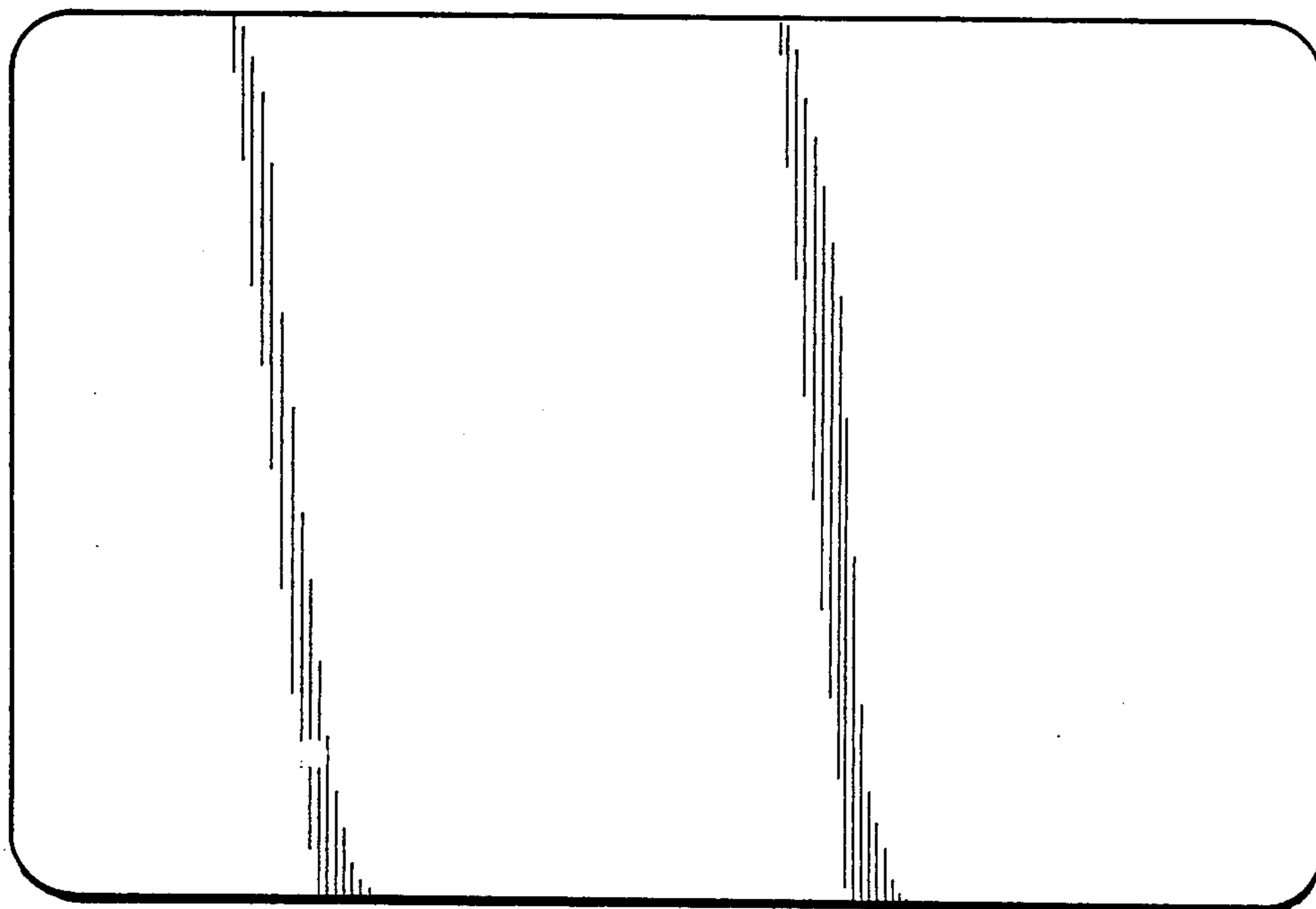


FIG. 8