

[54] KERATOMETER OR THE LIKE

[75] Inventor: Edwin A. Speaker, Brockport, N.Y.

[73] Assignee: Bausch & Lomb Incorporated, Rochester, N.Y.

[\*\*] Term: 14 Years

[21] Appl. No.: 781,171

[22] Filed: Sep. 30, 1985

[52] U.S. Cl. .... D24/17

[58] Field of Search ..... D24/17, 1.1; 351/200, 351/205, 209, 206, 211, 210, 212, 214, 217, 221, 245, 246, 224

[56] References Cited

U.S. PATENT DOCUMENTS

|           |        |              |           |
|-----------|--------|--------------|-----------|
| 3,439,979 | 4/1969 | Morgan ..... | 351/205   |
| 3,869,206 | 3/1975 | Nupuf .....  | 351/212 X |
| 3,972,602 | 8/1976 | Inns .....   | 351/245   |

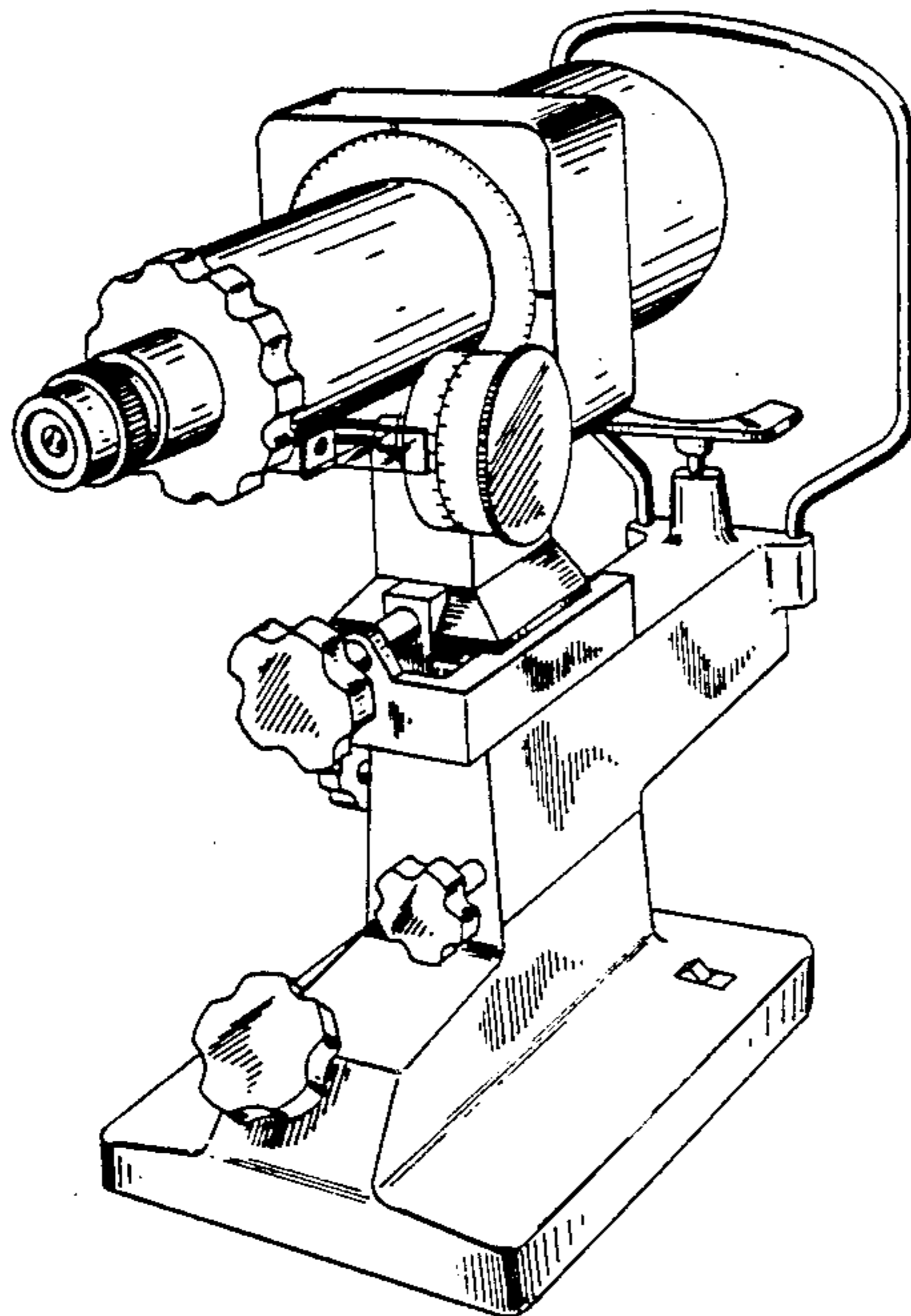
Primary Examiner—A. Hugo Word  
Assistant Examiner—Stella M. Reid  
Attorney, Agent, or Firm—John S. Norton

[57] CLAIM

The ornamental design for a keratometer or the like, substantially as shown and described.

DESCRIPTION

FIG. 1 is a right front perspective view of a keratometer or the like, showing my new design; FIG. 2 is a left side view thereof; and FIG. 3 is a rear view thereof.



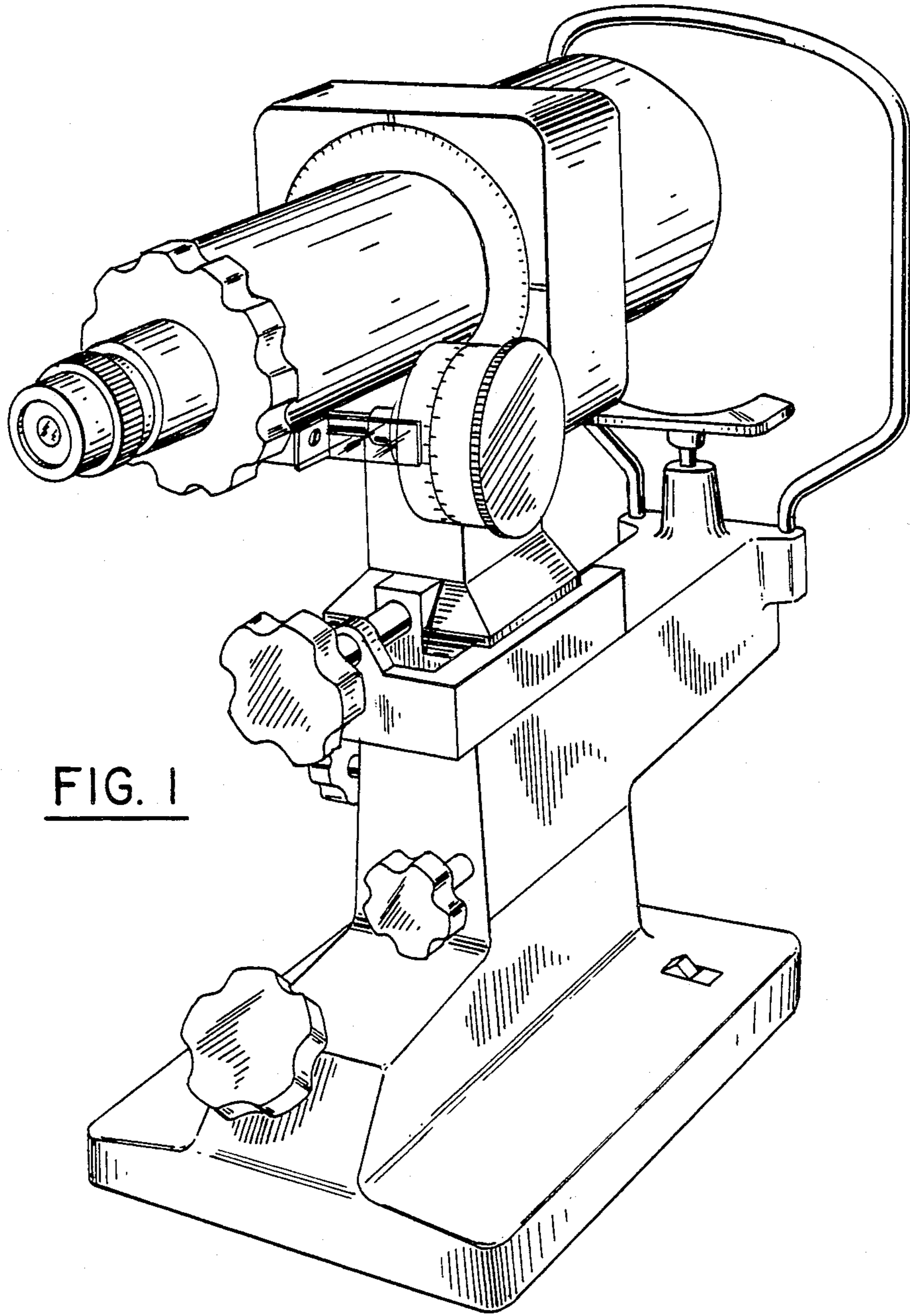
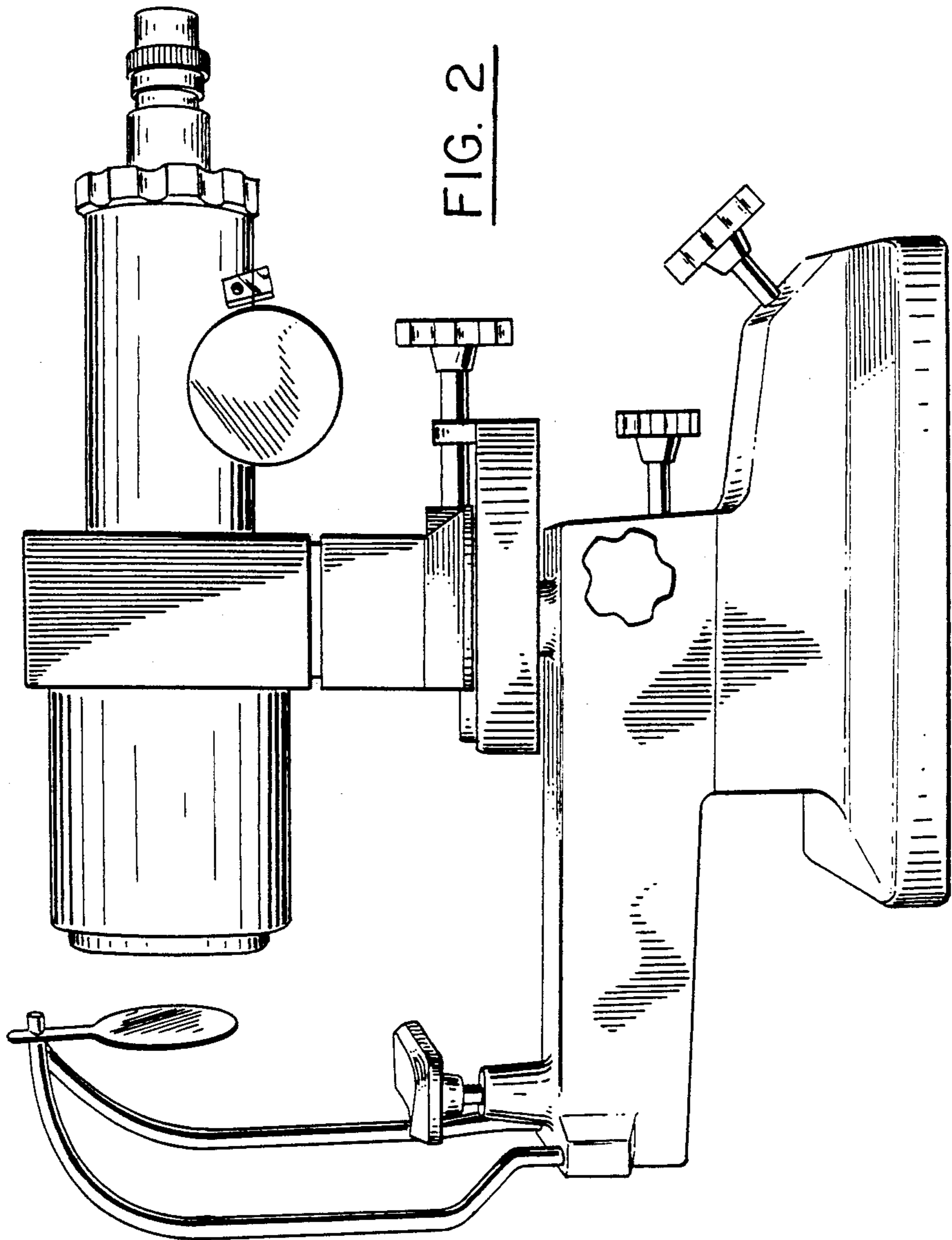


FIG. 1



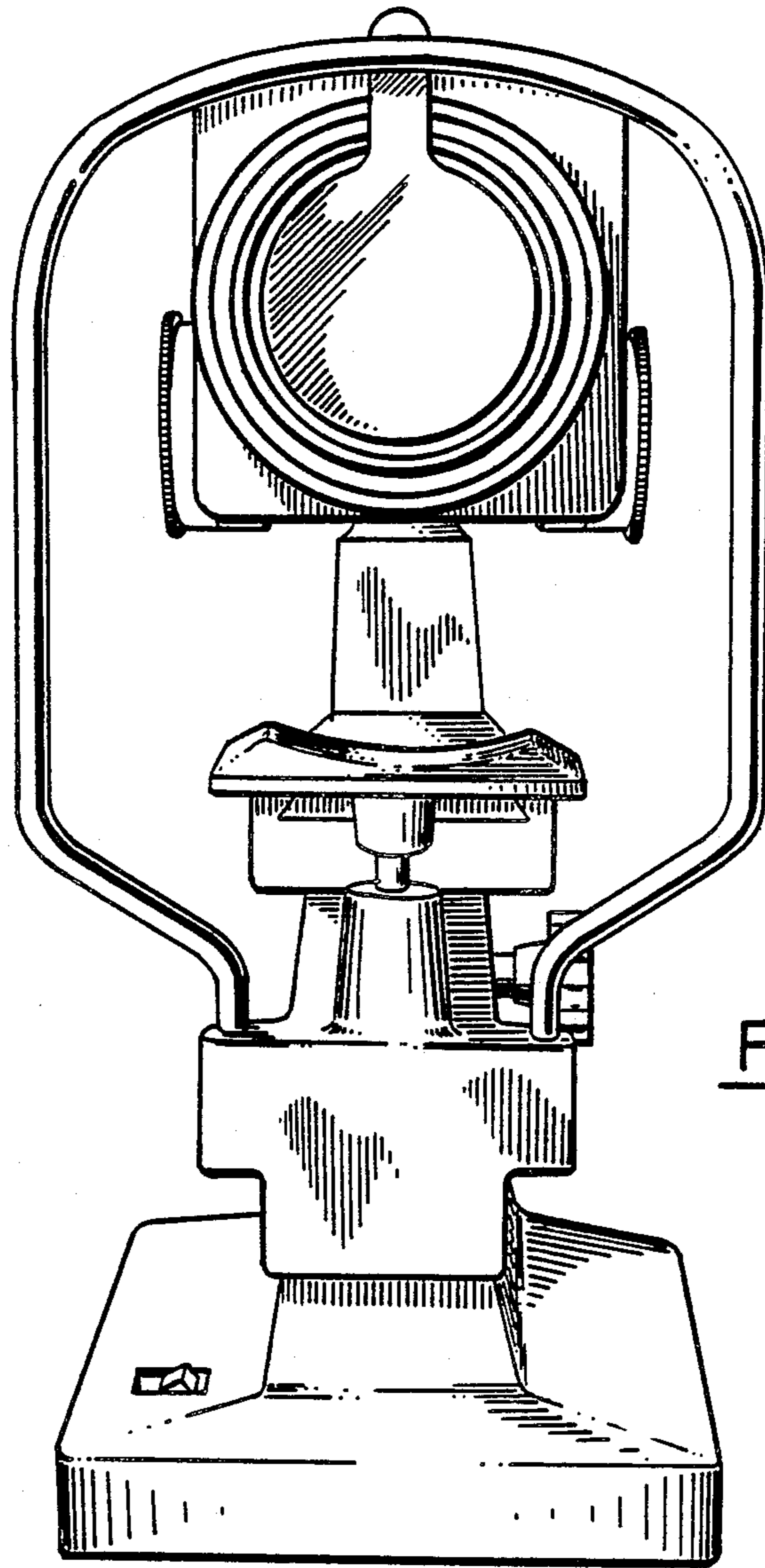


FIG. 3