

[54] COMBINED FAUCET AND DIVERTER VALVE FOR A HAND SHOWER

[75] Inventors: Konrad Bergmann, Wittlich; Wolfgang Fabian, Mannheim, both of Fed. Rep. of Germany

[73] Assignee: American Standard Inc., New York, N.Y.

[**] Term: 14 Years

[21] Appl. No.: 35,312

[22] Filed: Apr. 6, 1987

Related U.S. Application Data

[62] Division of Ser. No. 777,478, Sep. 18, 1985.

[30] Foreign Application Priority Data

Apr. 30, 1985 [DE] Fed. Rep. of Germany 20 MR 2050

[52] U.S. Cl. D23/238

[58] Field of Search D23/23-32; 4/191, 192; 137/606, 625.17, 625.4, 625.41, 801

[56] References Cited

U.S. PATENT DOCUMENTS

- D. 62,740 7/1923 Muend D23/26
D. 72,505 4/1927 Van Eweyk D23/26
D. 114,200 4/1939 Sedlon et al. D23/23

- D. 193,757 10/1962 Armstrong D23/23
D. 200,390 2/1965 Staat et al. D23/23
D. 200,754 3/1965 Landell D23/23
D. 219,780 1/1971 Niemann D23/23
D. 242,454 11/1976 Jones D23/26
D. 245,092 7/1977 Saether D23/26
3,920,043 11/1975 Fowell 137/625.4 X
4,103,709 8/1978 Fischer 137/801 X
4,157,099 6/1979 Delker et al. 137/625.17
4,513,781 4/1985 Nikolayczik 137/625.41
4,522,231 6/1985 Bergmann 137/625.17
4,552,171 11/1985 Farrell et al. 4/192 X

Primary Examiner—James R. Lagen
Attorney, Agent, or Firm—James J. Salerno, Jr.; Robert G. Crooks; John P. Sinnott

[57] CLAIM

The ornamental design for a combined faucet and diverter valve for a hand shower, substantially as shown and described.

DESCRIPTION

FIG. 1 is a left side elevational view of a combined faucet and diverter valve for a hand shower, showing our new design, the right side being a mirror image of the left side shown;
FIG. 2 is a top plan view thereof;
FIG. 3 is a bottom plan view thereof;
FIG. 4 is a front elevational view thereof; and,
FIG. 5 is a rear elevational view thereof.

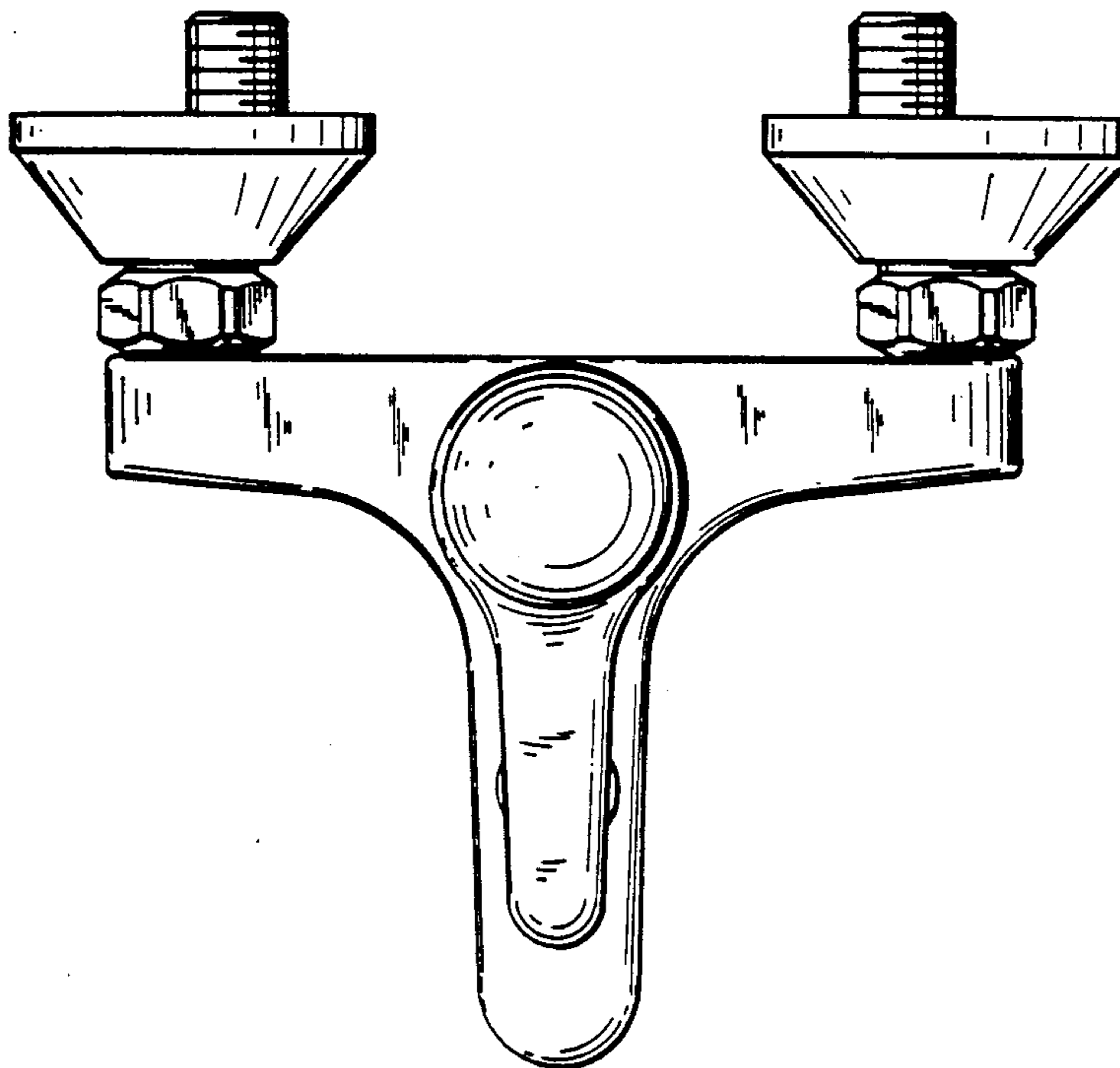


FIG. 1

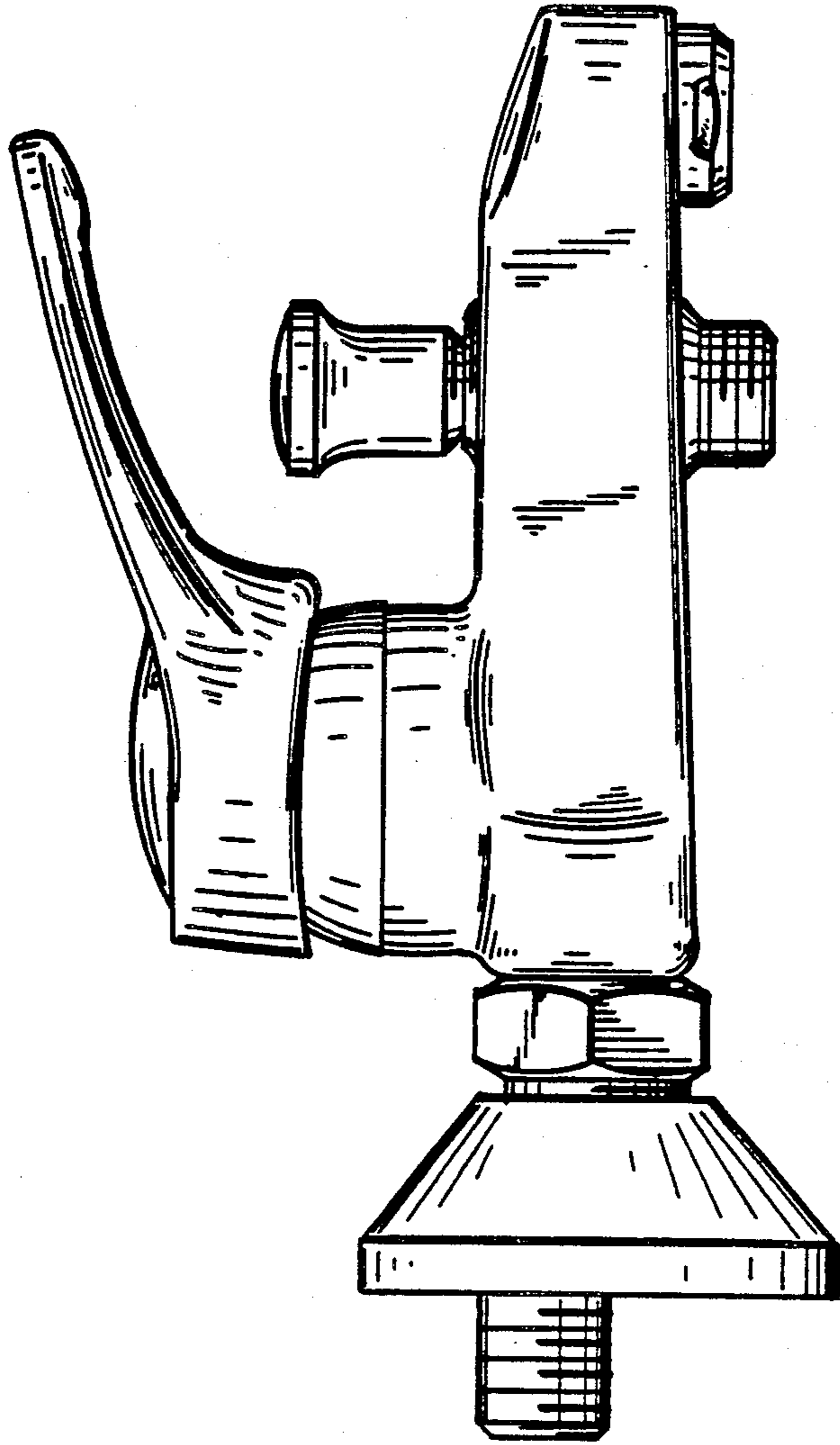


FIG. 4

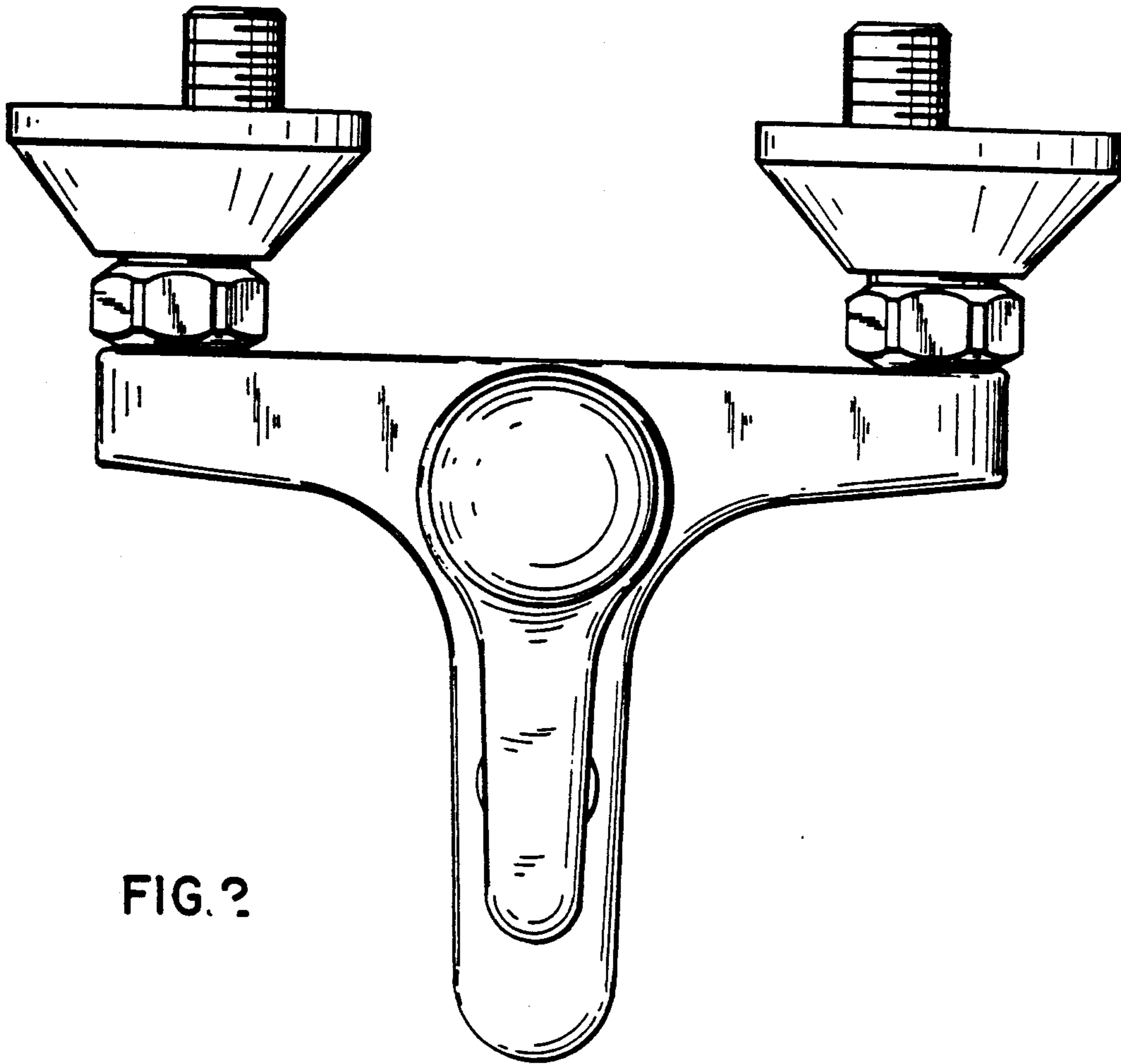
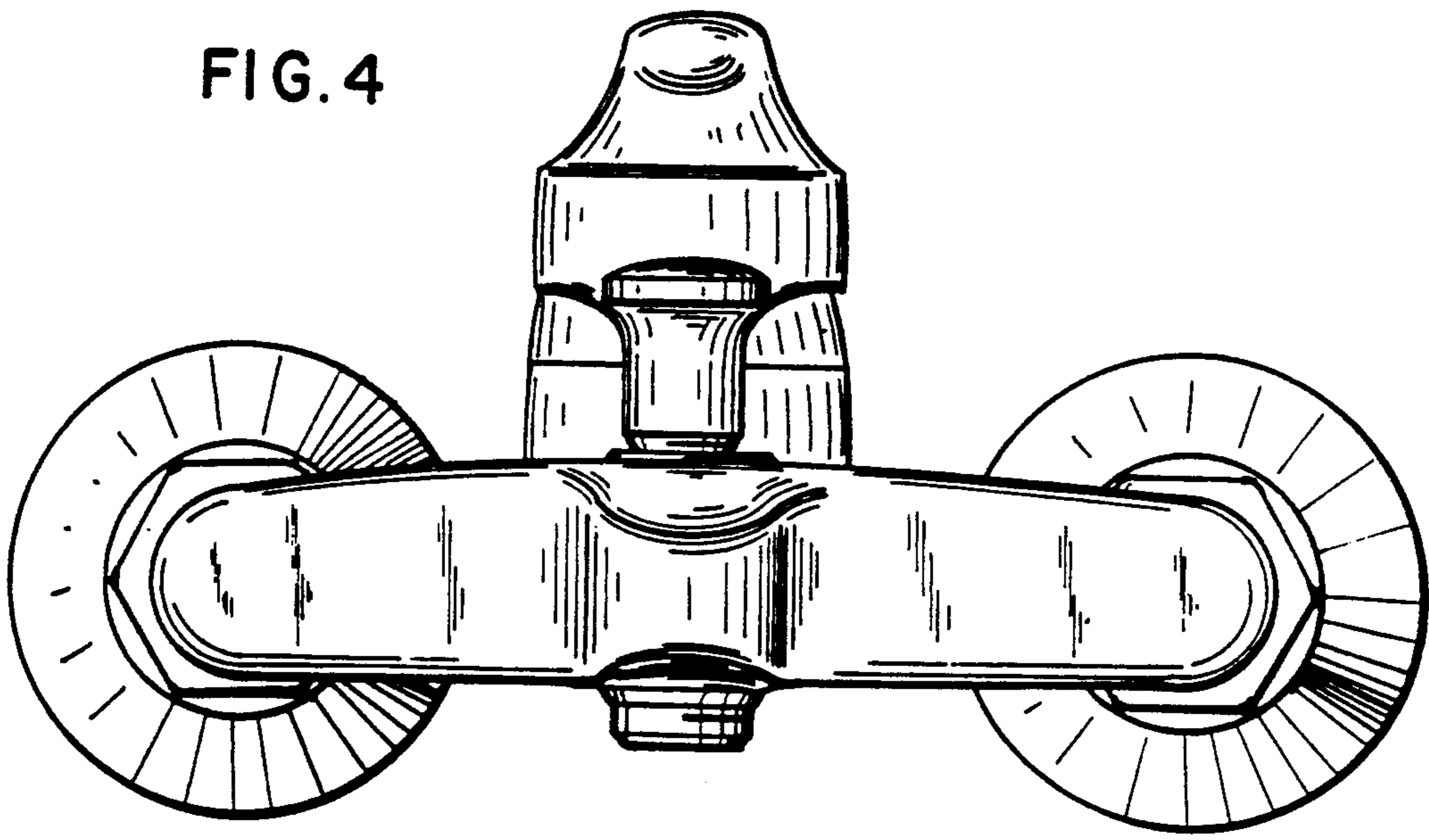


FIG. 2

FIG. 5

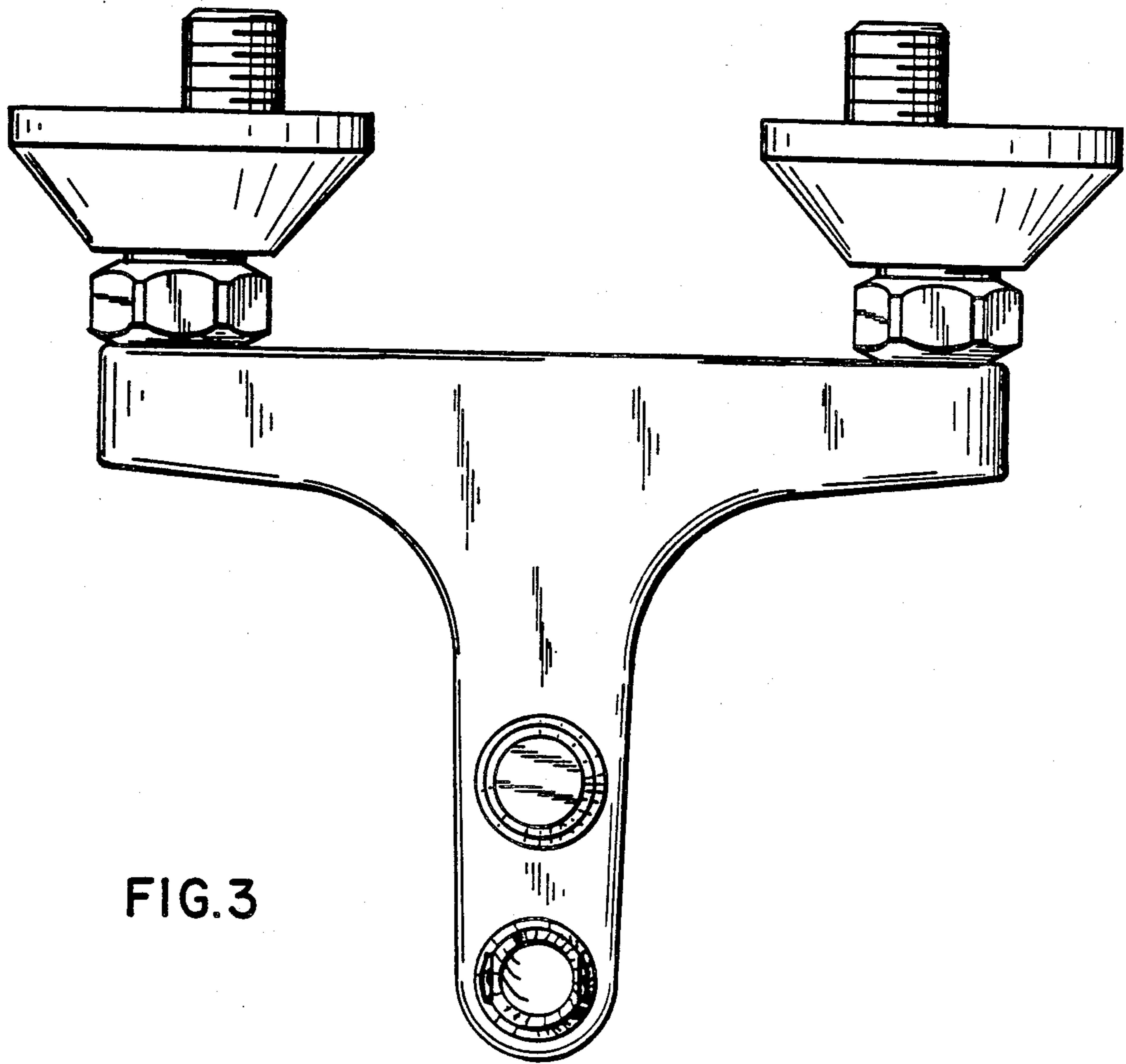
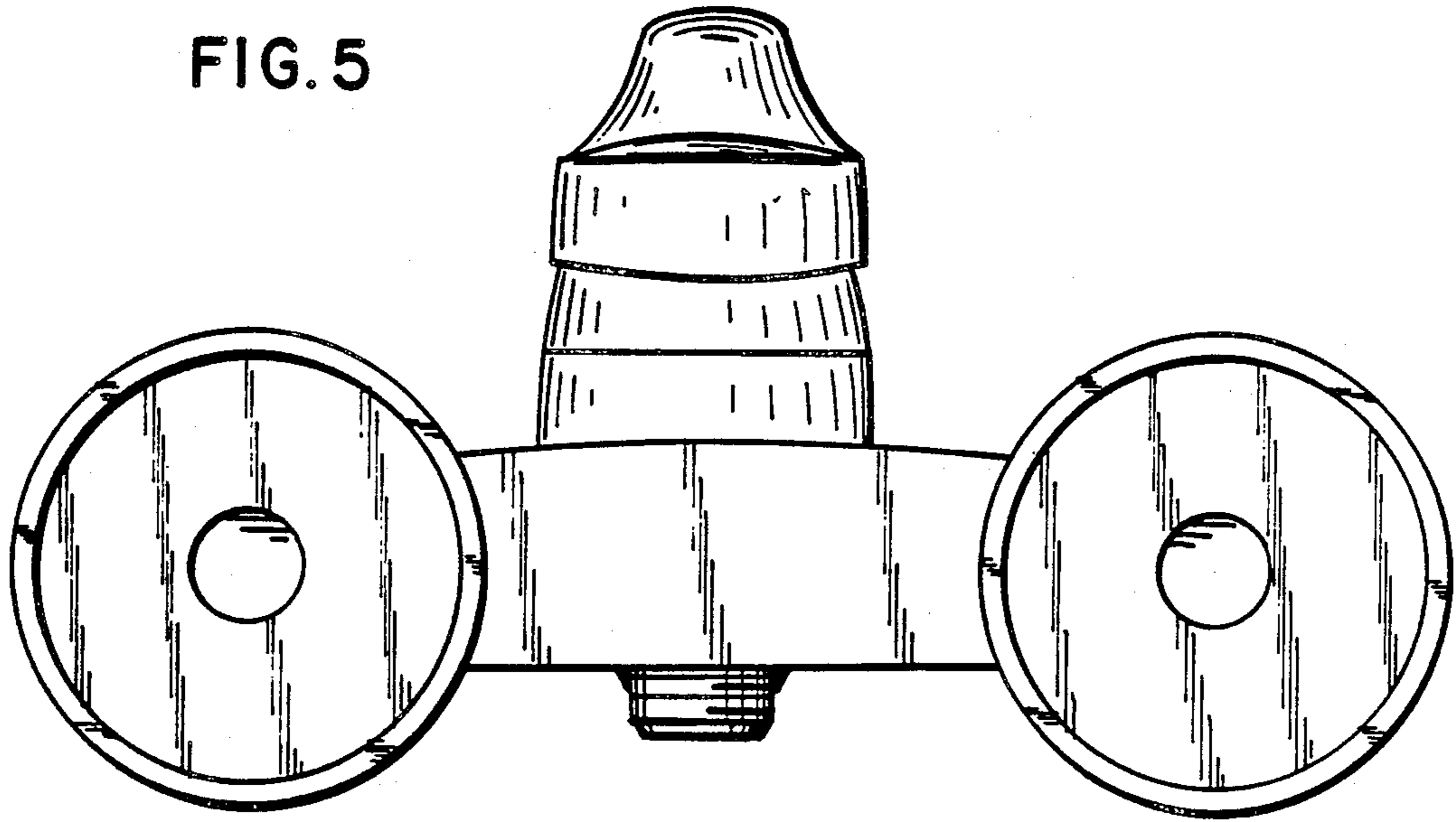


FIG. 3