

[54] **COMBINED SINK AND WASTE CONTAINER**

[75] Inventors: **Reinhard Fischer, Bretten; Manfred Mück, Kürnbach; Walter Blanc, Oberderdingen, all of Fed. Rep. of Germany**

[73] Assignee: **Blanc GmbH & Co., Oberderdingen, Fed. Rep. of Germany**

[**] Term: **14 Years**

[21] Appl. No.: **769,262**

[22] Filed: **Aug. 26, 1985**

[30] **Foreign Application Priority Data**

Jul. 4, 1985 [DE] Fed. Rep. of Germany M^{RII}/132BR

[52] U.S. Cl. **D23/271; D23/287**

[58] Field of Search **D23/48-54, D23/58-62; 4/619, 629, 631, 638-642, 646, 656**

[56] **References Cited**

U.S. PATENT DOCUMENTS

D. 116,564	9/1939	Loup	D23/62
D. 192,493	4/1962	Lyon, Jr.	D23/62
D. 193,464	8/1962	Hauser	D23/62
D. 198,305	6/1964	Graning, Jr.	D23/62
D. 200,089	1/1965	Armstrong	D23/62
D. 206,048	10/1966	Armstrong	D23/62
D. 224,533	8/1972	Hauser	D23/62
D. 234,201	1/1975	Stairs, Jr.	D23/62
D. 234,464	3/1975	Stairs, Jr.	D23/62
D. 259,439	6/1981	Doman	D23/62
1,635,361	7/1927	Fuson	4/629
1,830,781	11/1931	Brotz	4/629 X
2,023,692	12/1935	McQuinn	4/631
2,063,243	12/1936	Groeniger	4/642
2,194,343	3/1940	Wexler	D23/60 X
2,498,502	2/1950	O'Brien	4/629
2,524,204	10/1950	O'Brien	4/640 X
2,769,181	11/1956	Miller	4/640 X
2,889,559	6/1959	Lyon, Jr.	4/631 X
4,624,020	11/1986	Abderhalden et al.	4/639 X

FOREIGN PATENT DOCUMENTS

2559621 7/1979 Fed. Rep. of Germany .

OTHER PUBLICATIONS

Domestic Engineering, Jan. 1963, p. 5; Sep. 1967, p. 5. House and Home, Dec. 1961, p. 56.

Blanc GmbH & Co., Blancomulti, 1982, pp. 9 & 12.

Primary Examiner—James R. Largen

Attorney, Agent, or Firm—Spencer & Frank

[57] **CLAIM**

The ornamental designs for a combined sink and waste container, substantially as shown.

DESCRIPTION

FIG. 1 is a top plan view of a combined sink and waste container showing our new design;

FIG. 2 is a perspective view taken from the top, front and left side thereof;

FIG. 3 is a right side elevational view thereof;

FIG. 4 is a front elevational view thereof;

FIG. 5 is a left side elevational view thereof;

FIG. 6 is a rear elevational view thereof;

FIG. 7 is a bottom plan view thereof;

FIG. 8 is a top plan view of a modified form of the combined sink and waste container shown in FIG. 1;

FIG. 9 is a perspective view taken from the top, front and left side of FIG. 8;

FIG. 10 is a right side elevational view of FIG. 8;

FIG. 11 is a front elevational view of FIG. 8;

FIG. 12 is a left side elevational view of FIG. 8;

FIG. 13 is a rear elevational view of FIG. 8;

FIG. 14 is a bottom plan view of FIG. 8;

FIG. 15 is a top plan view of a second modified form of the combined sink and waste container shown in FIG. 1;

FIG. 16 is a perspective view taken from the top, front and left side of FIG. 15;

FIG. 17 is a right side elevational view of FIG. 15;

FIG. 18 is a front elevational view of FIG. 15;

FIG. 19 is a left side elevational view of FIG. 15;

FIG. 20 is a rear elevational view of FIG. 15; and

FIG. 21 is a bottom plan view of FIG. 15.

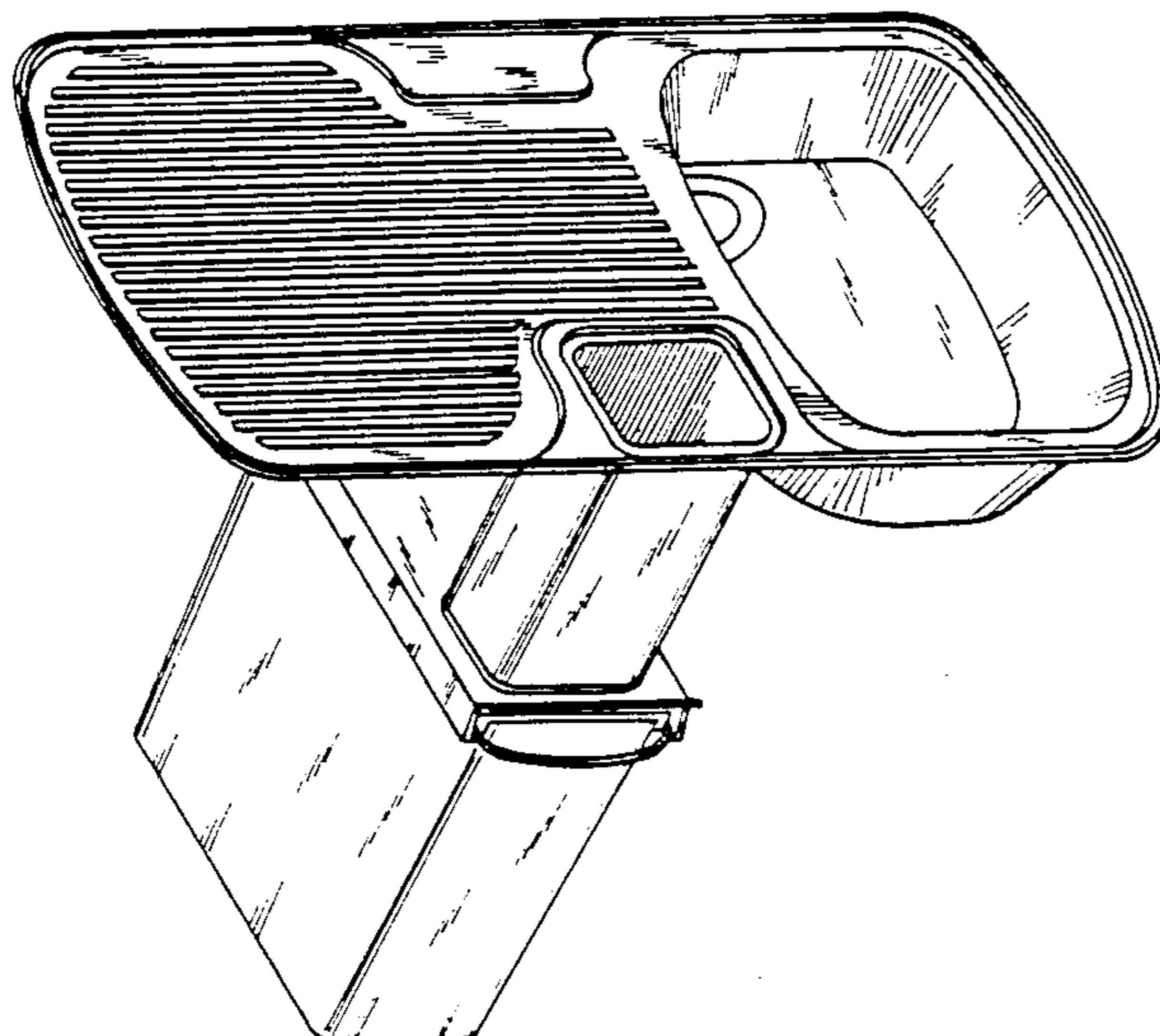


Fig.1

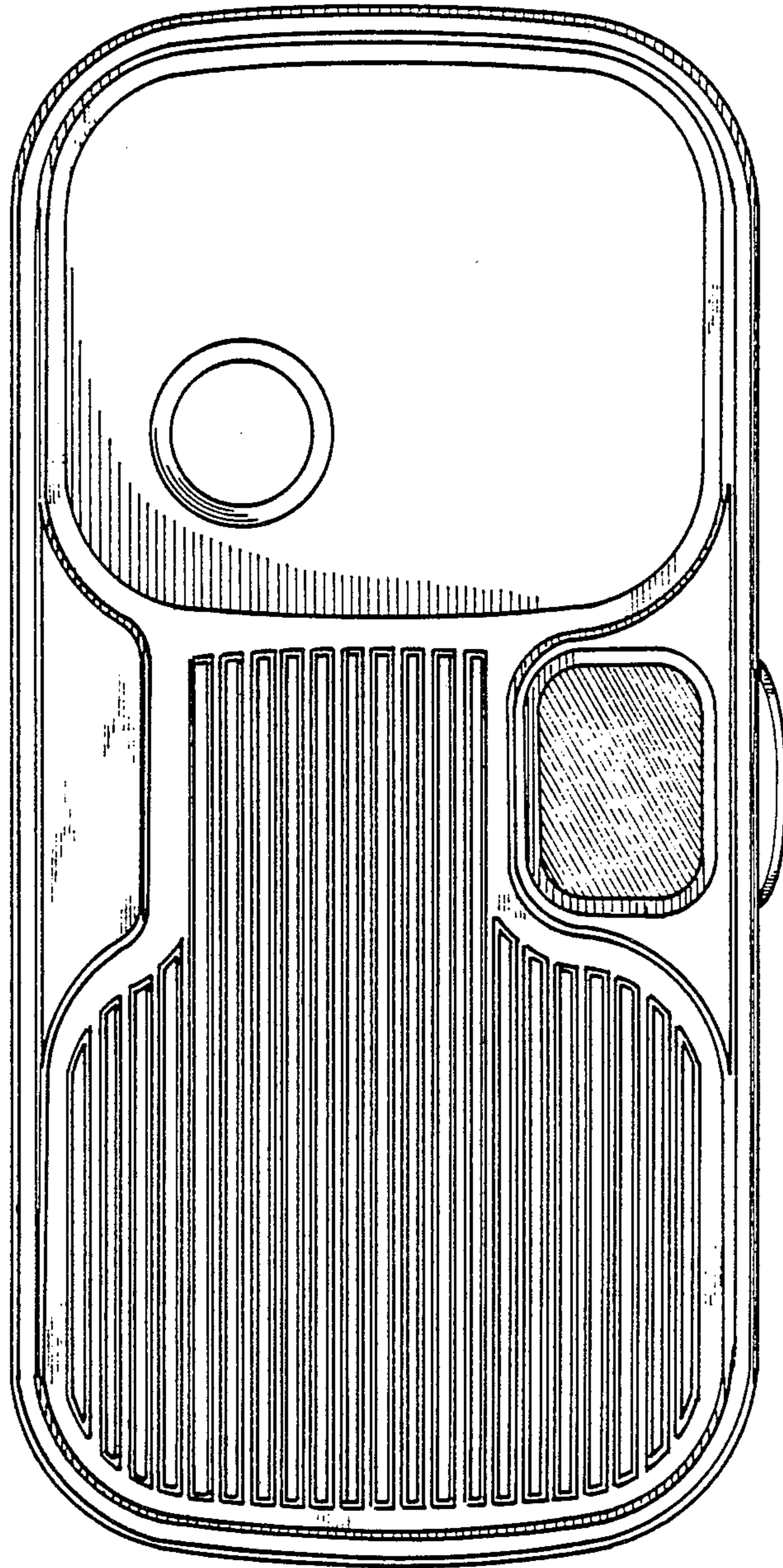


Fig.2

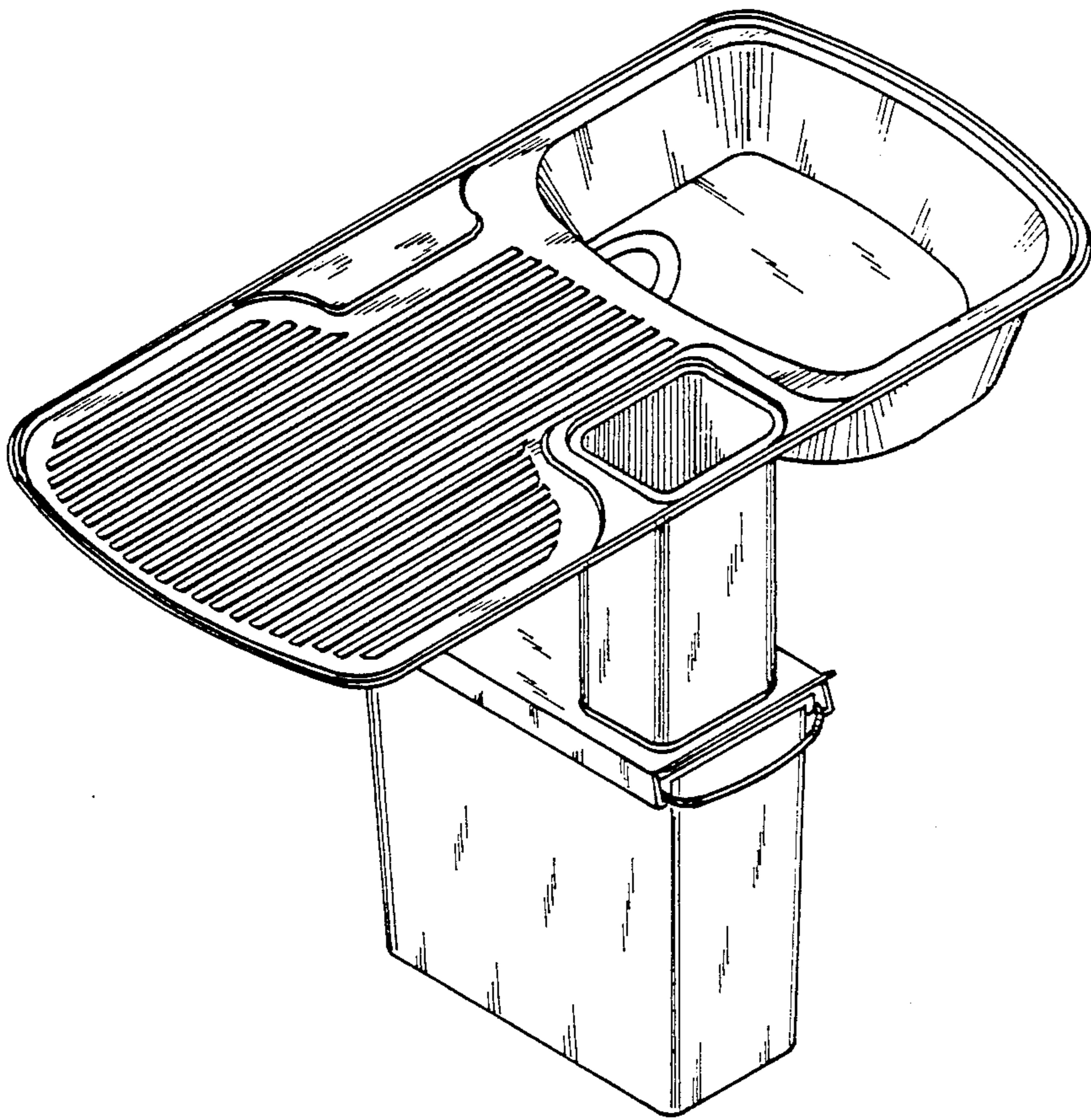


Fig.3

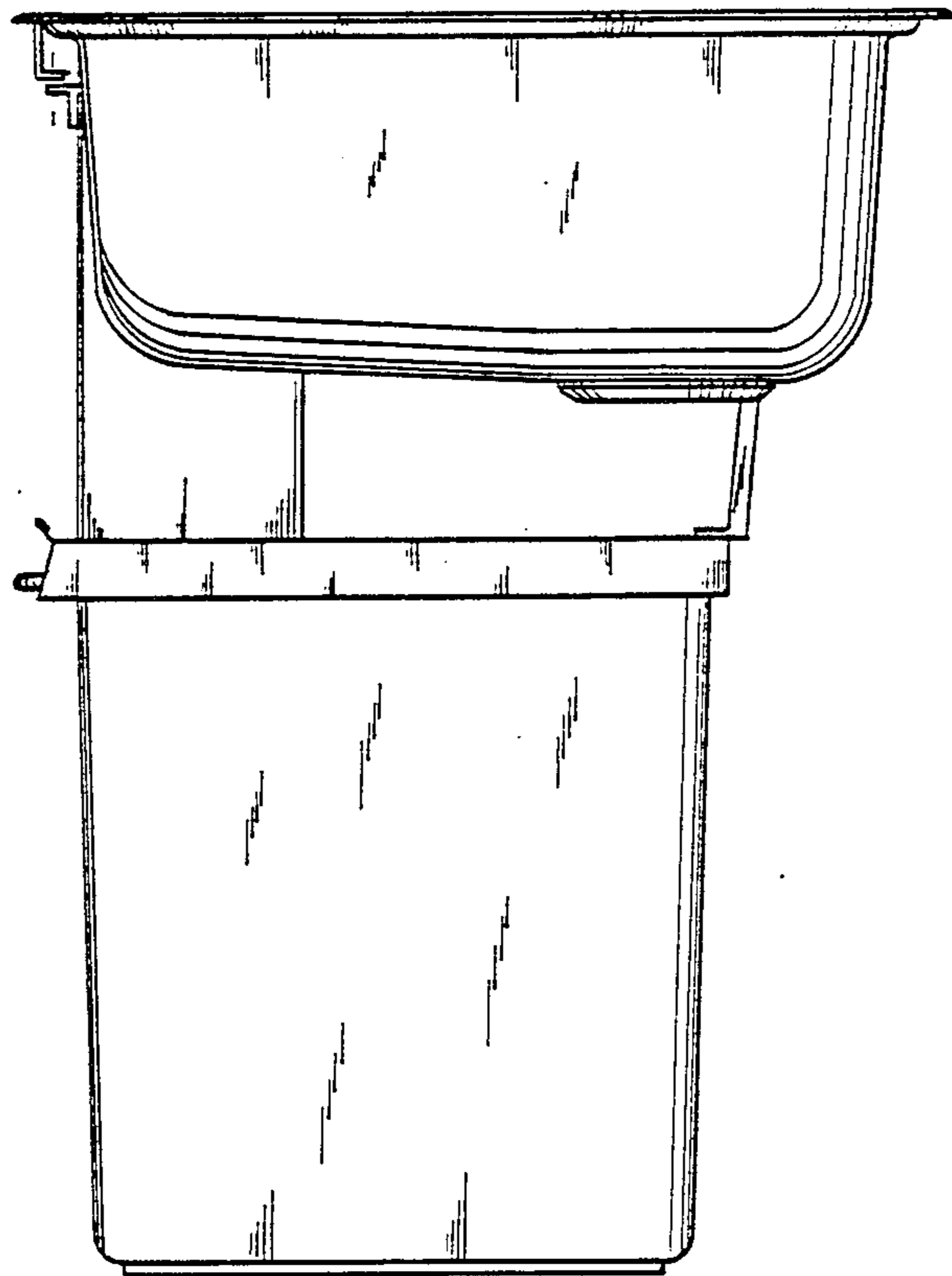


Fig. 4

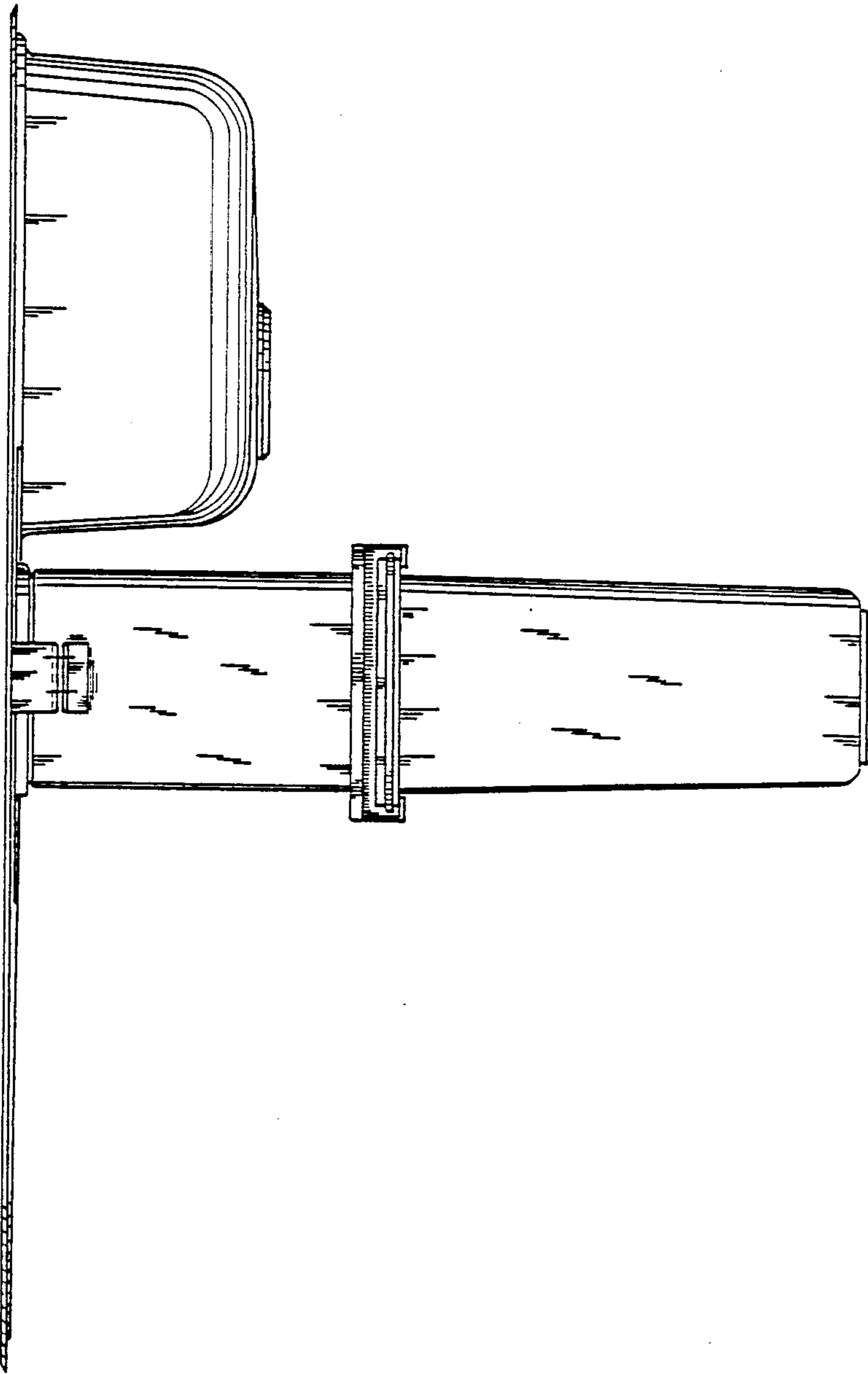


Fig.5

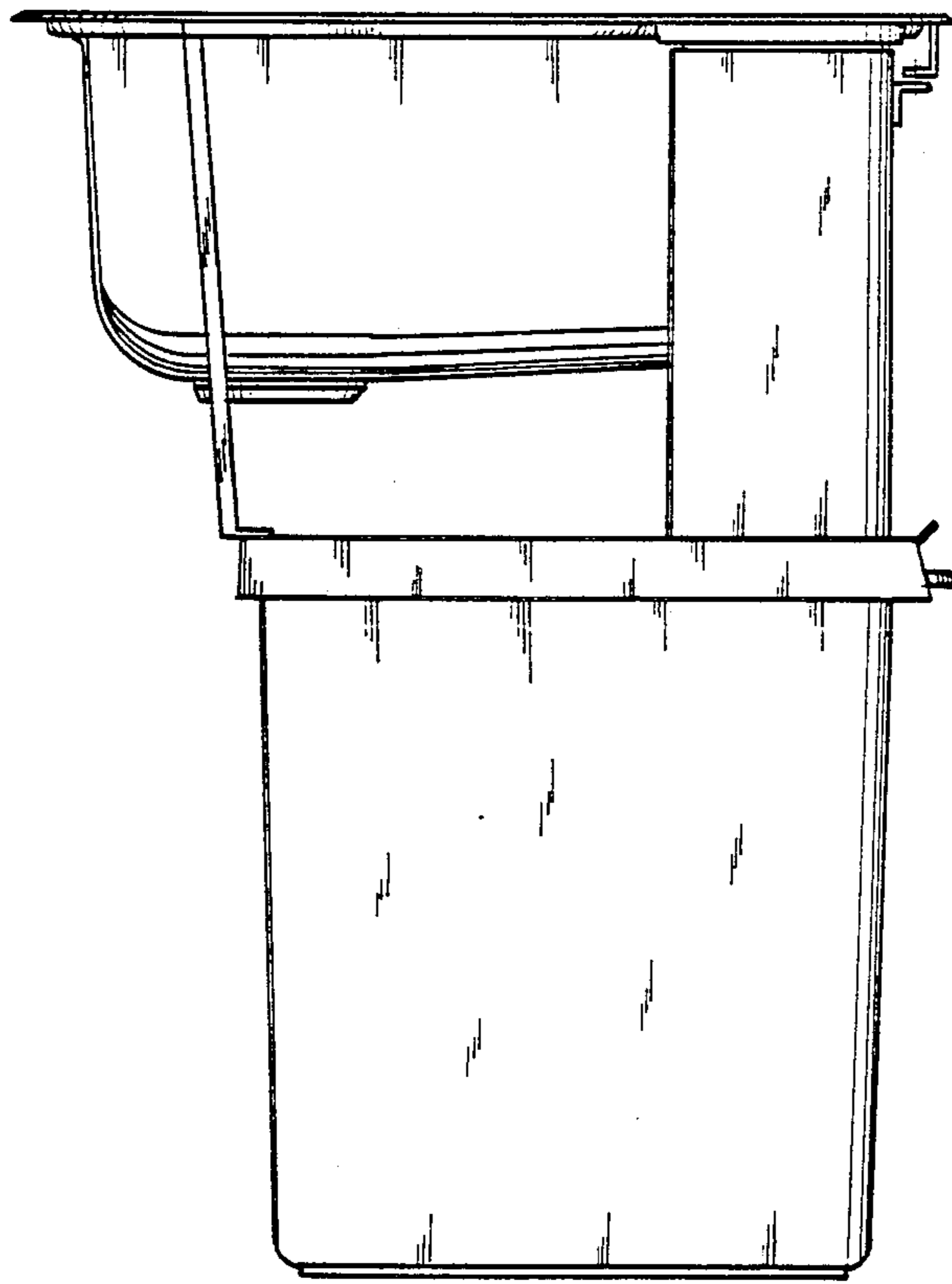


Fig. 6

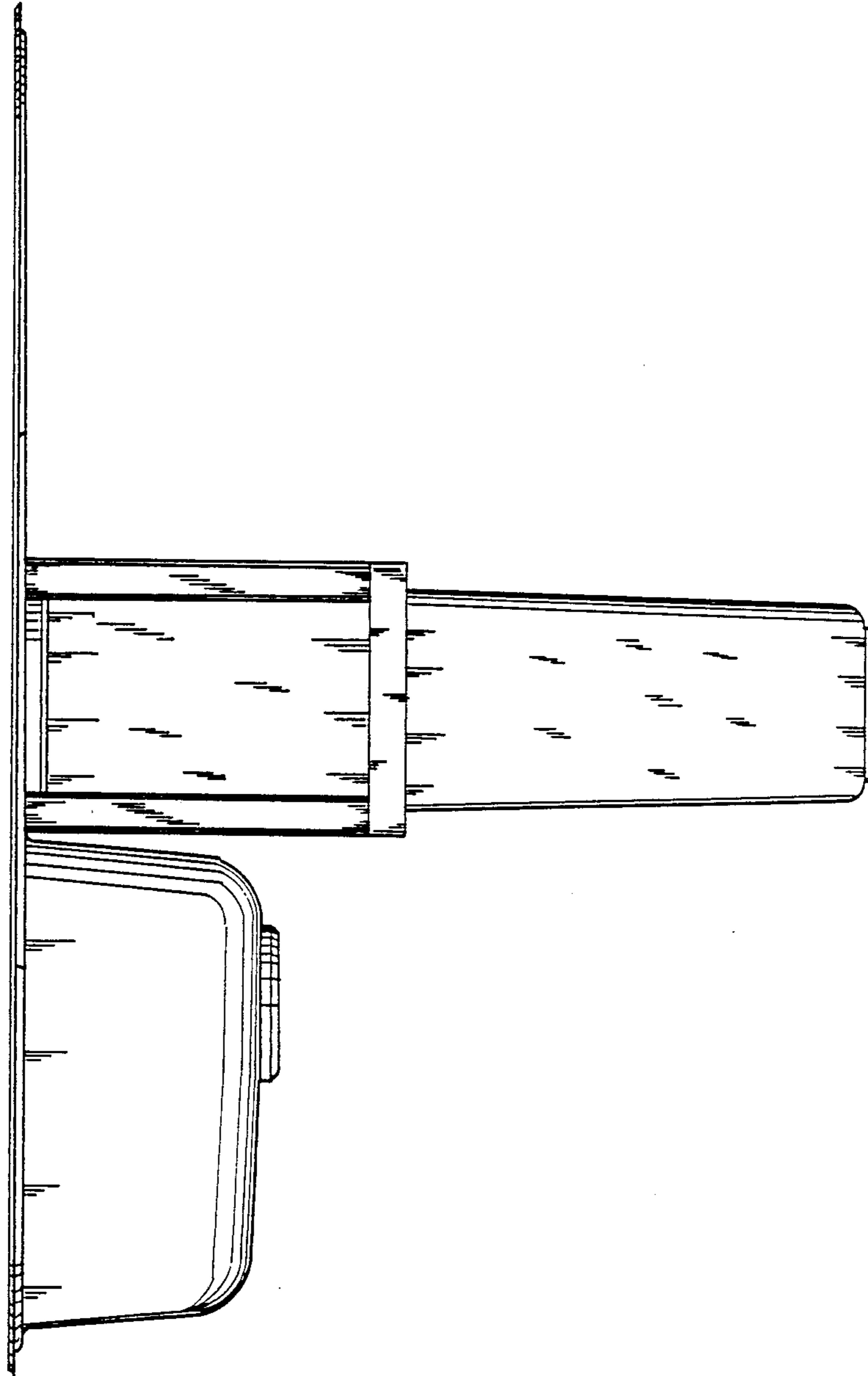


Fig.7

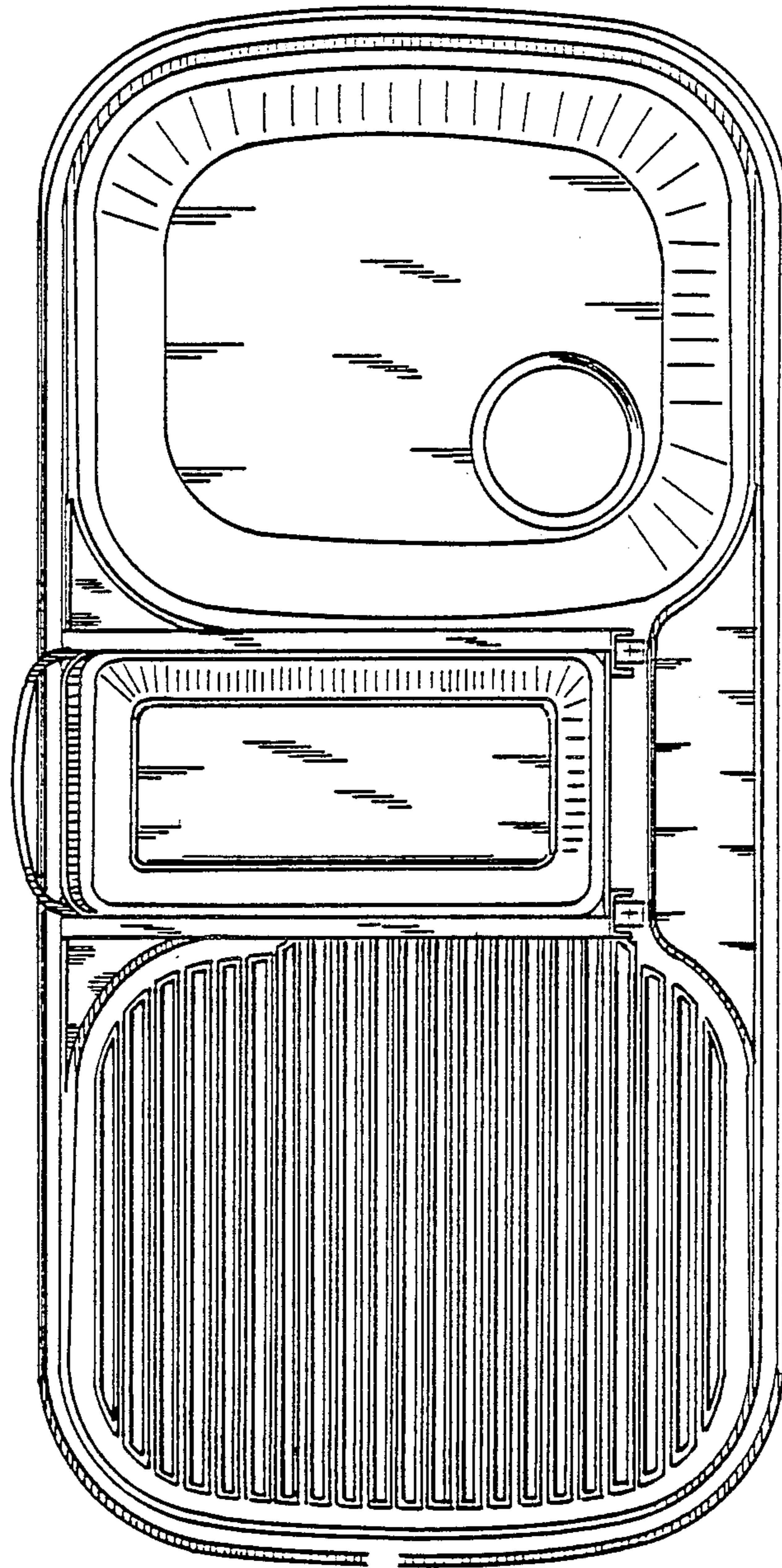


Fig. 8

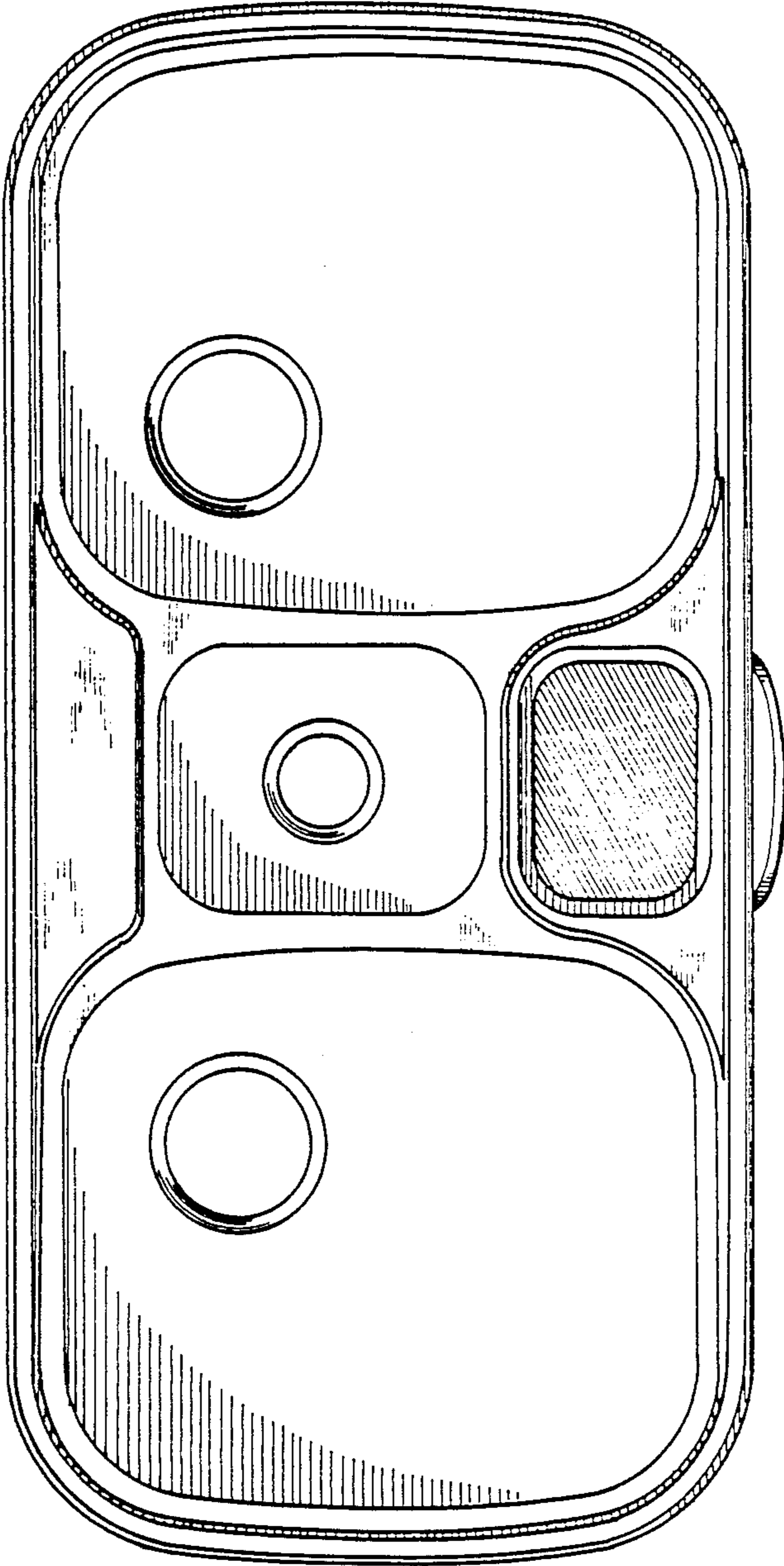


Fig. 9

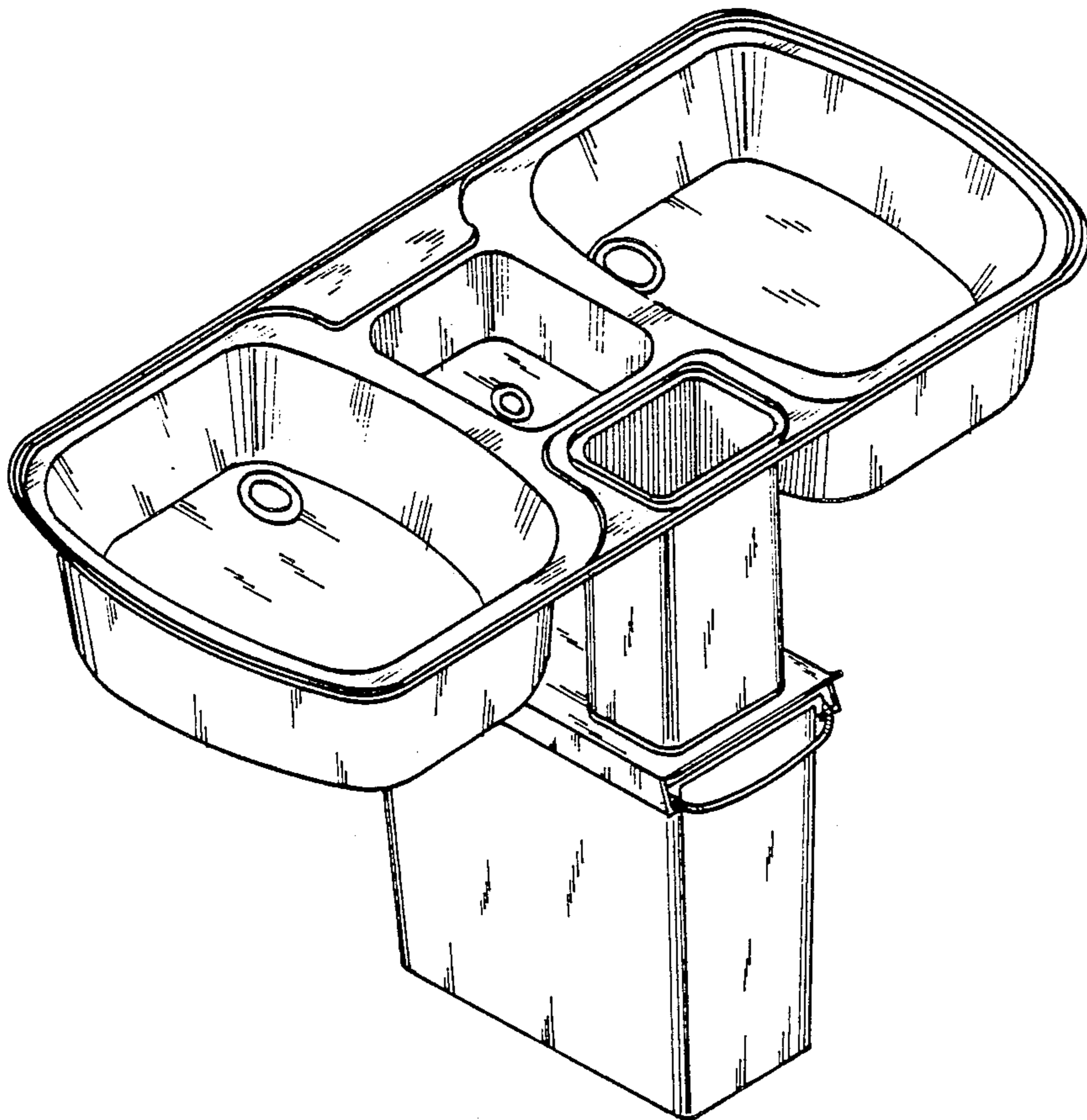


Fig.10

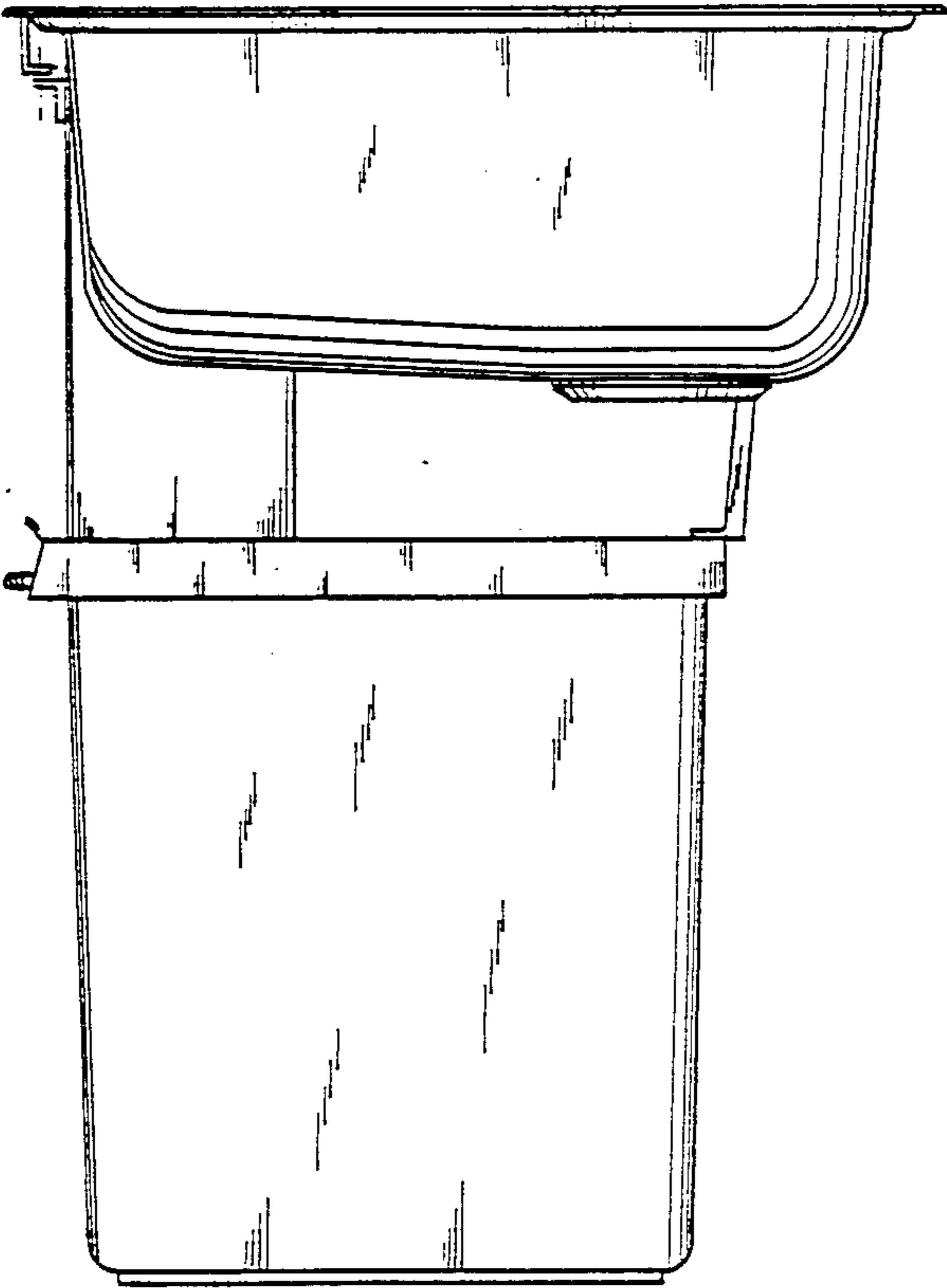


Fig. 11

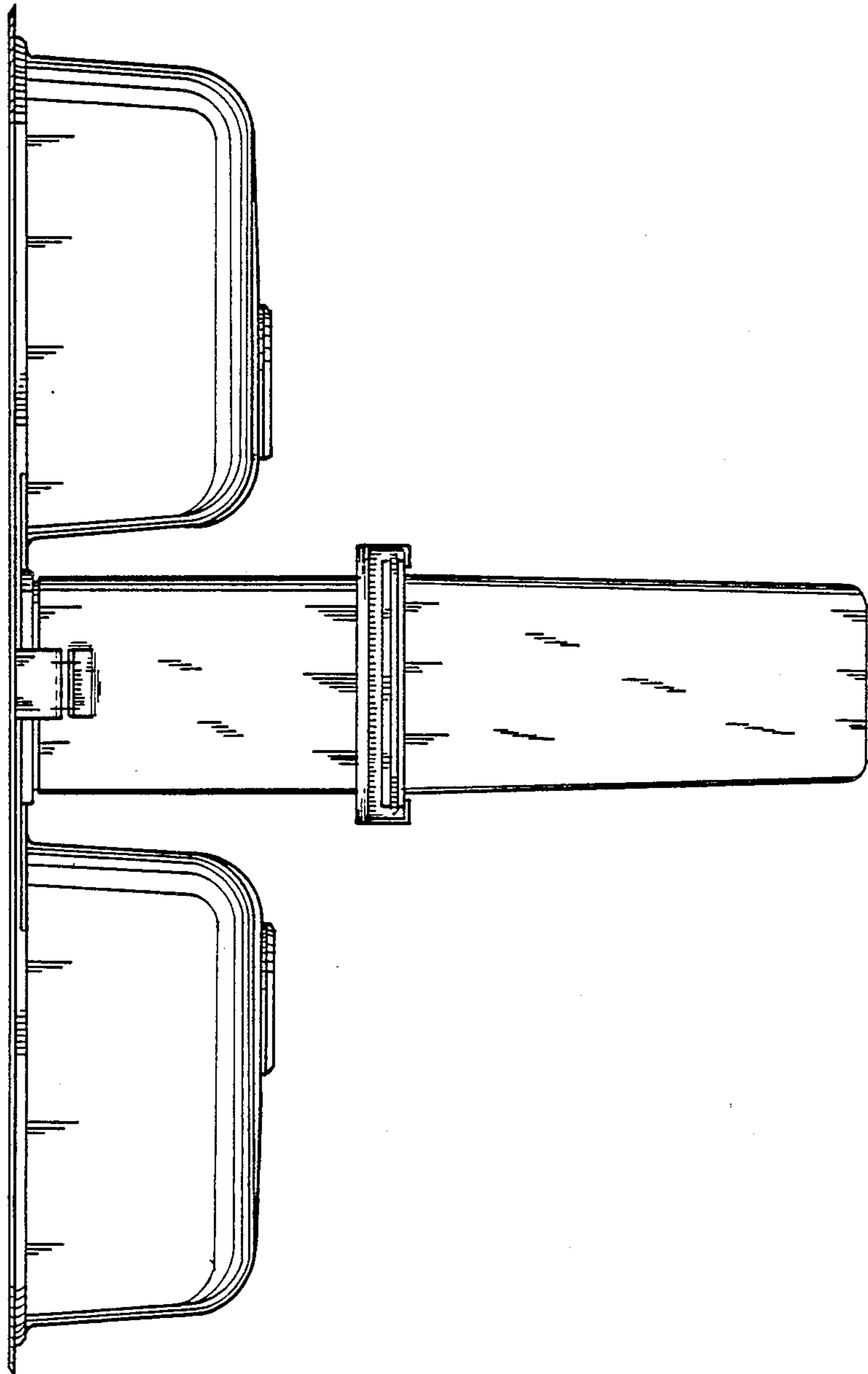


Fig.12

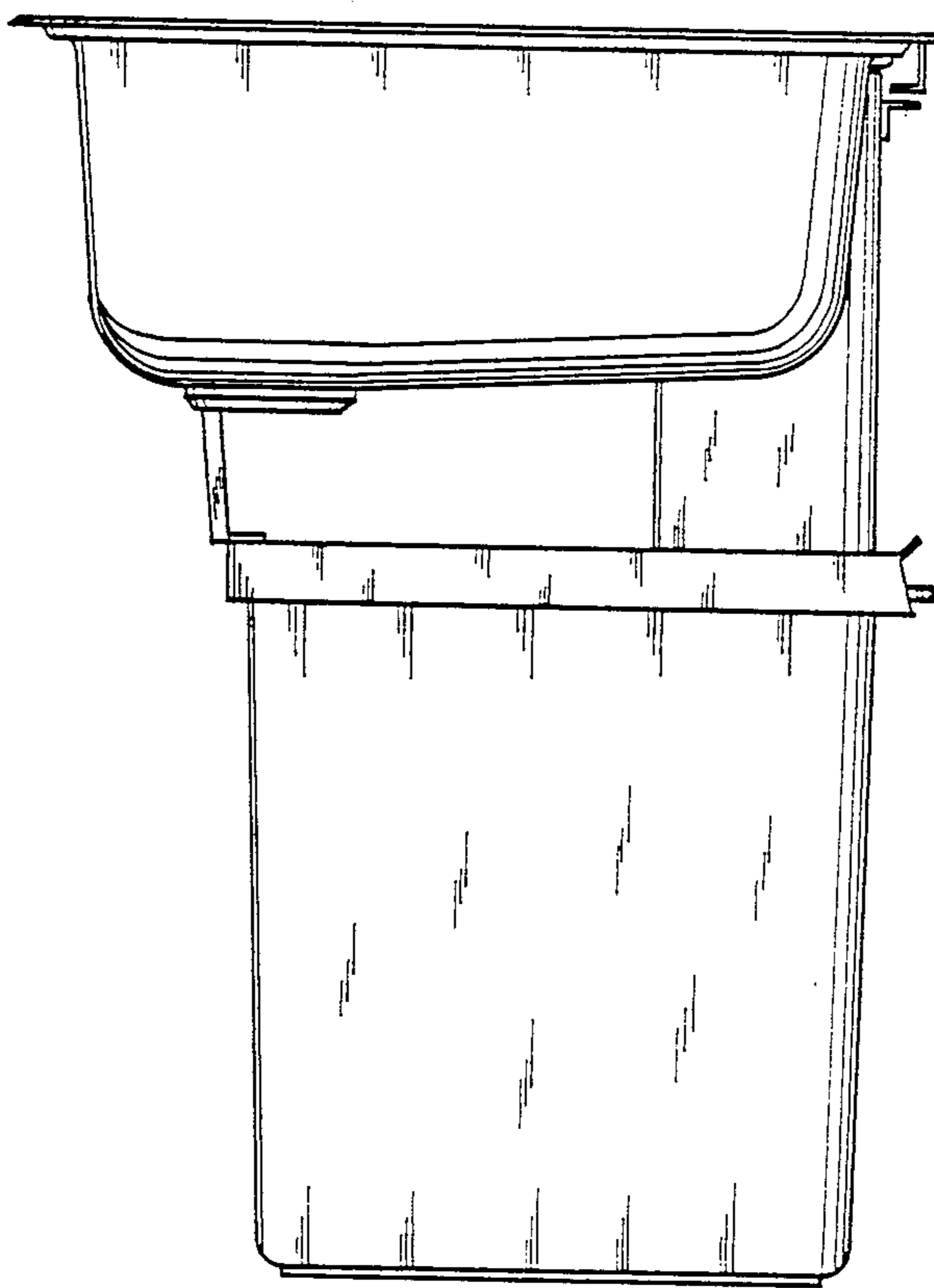


Fig. 13

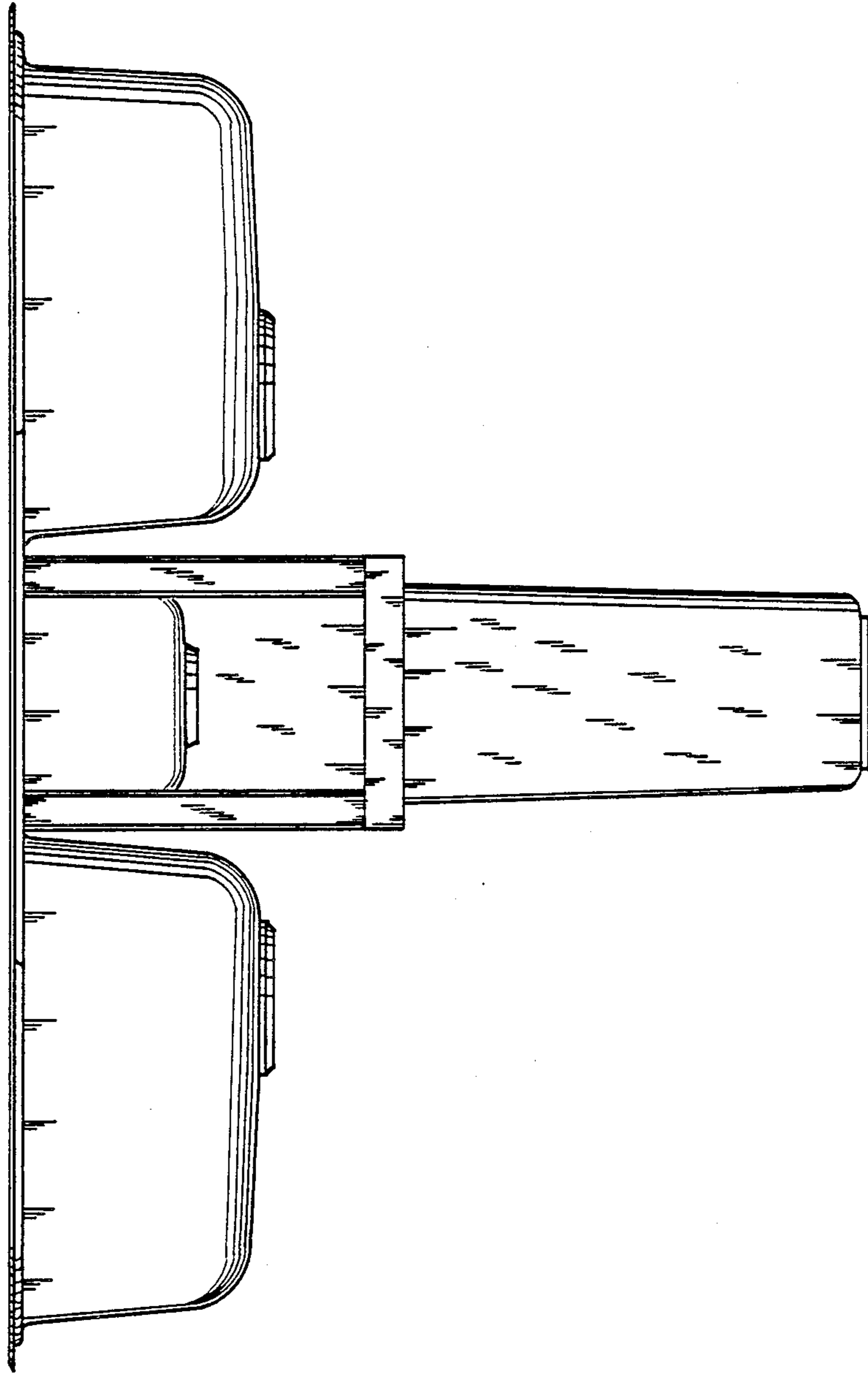


Fig. 14

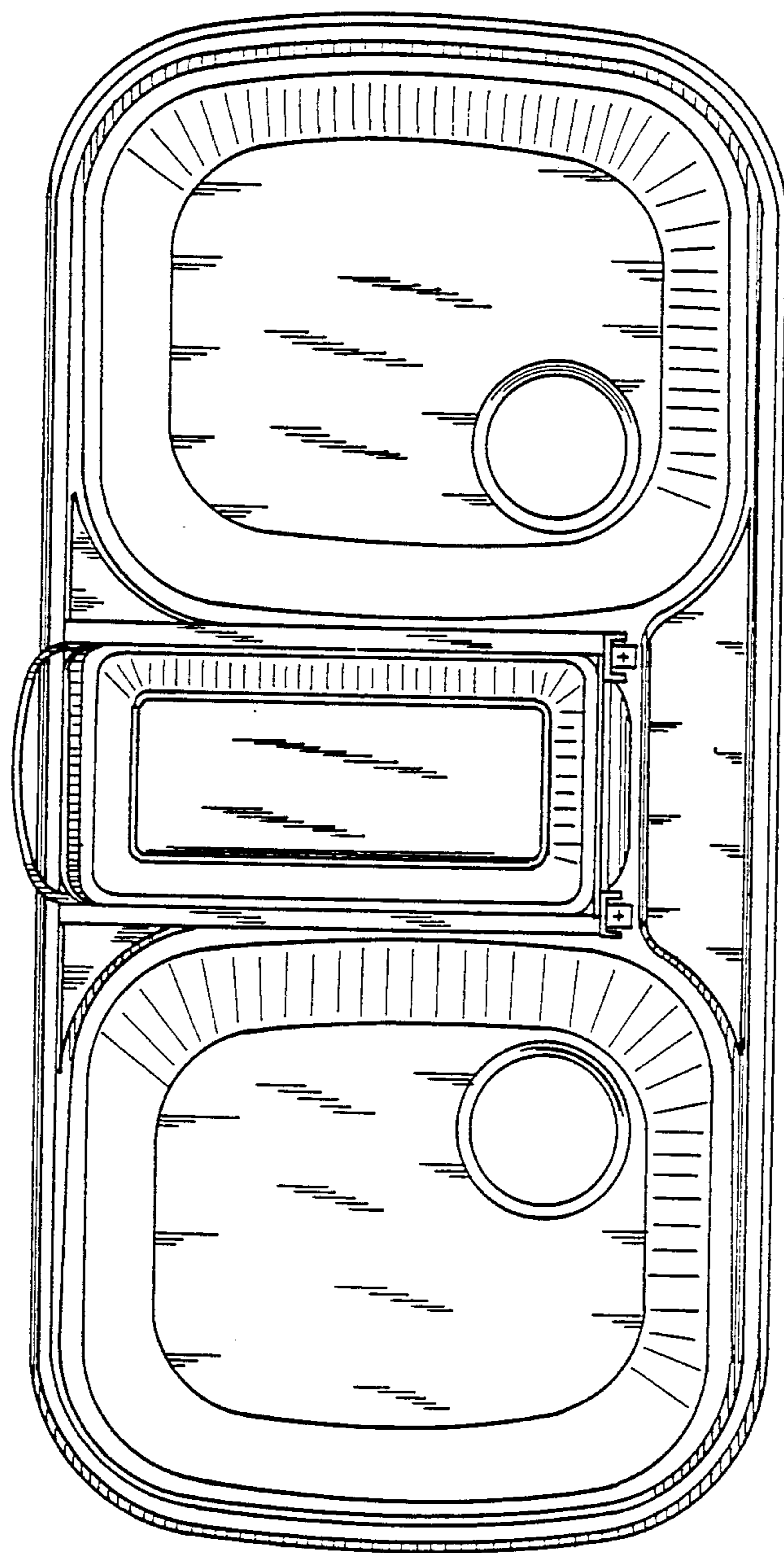


Fig. 15

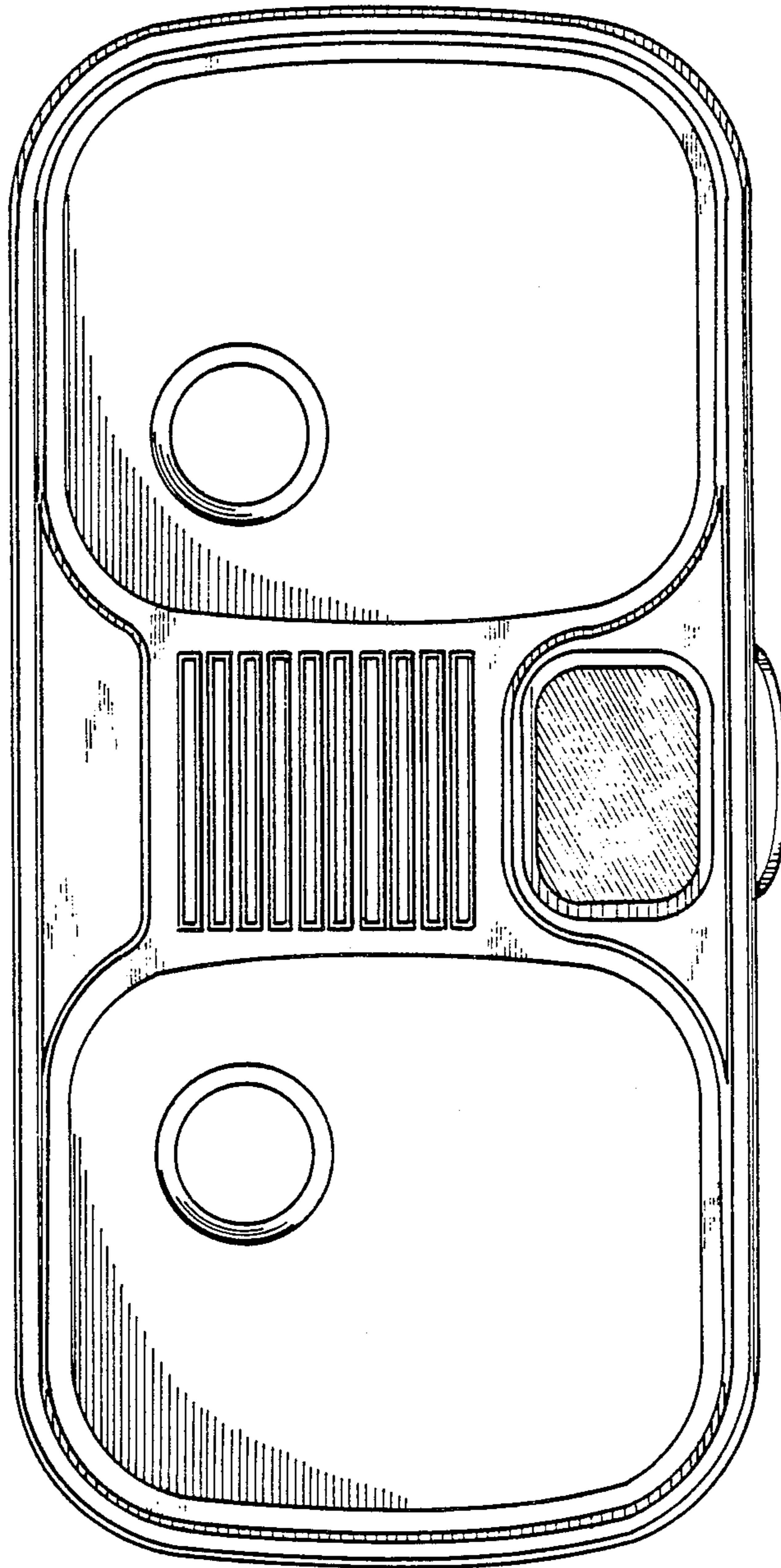


Fig.16

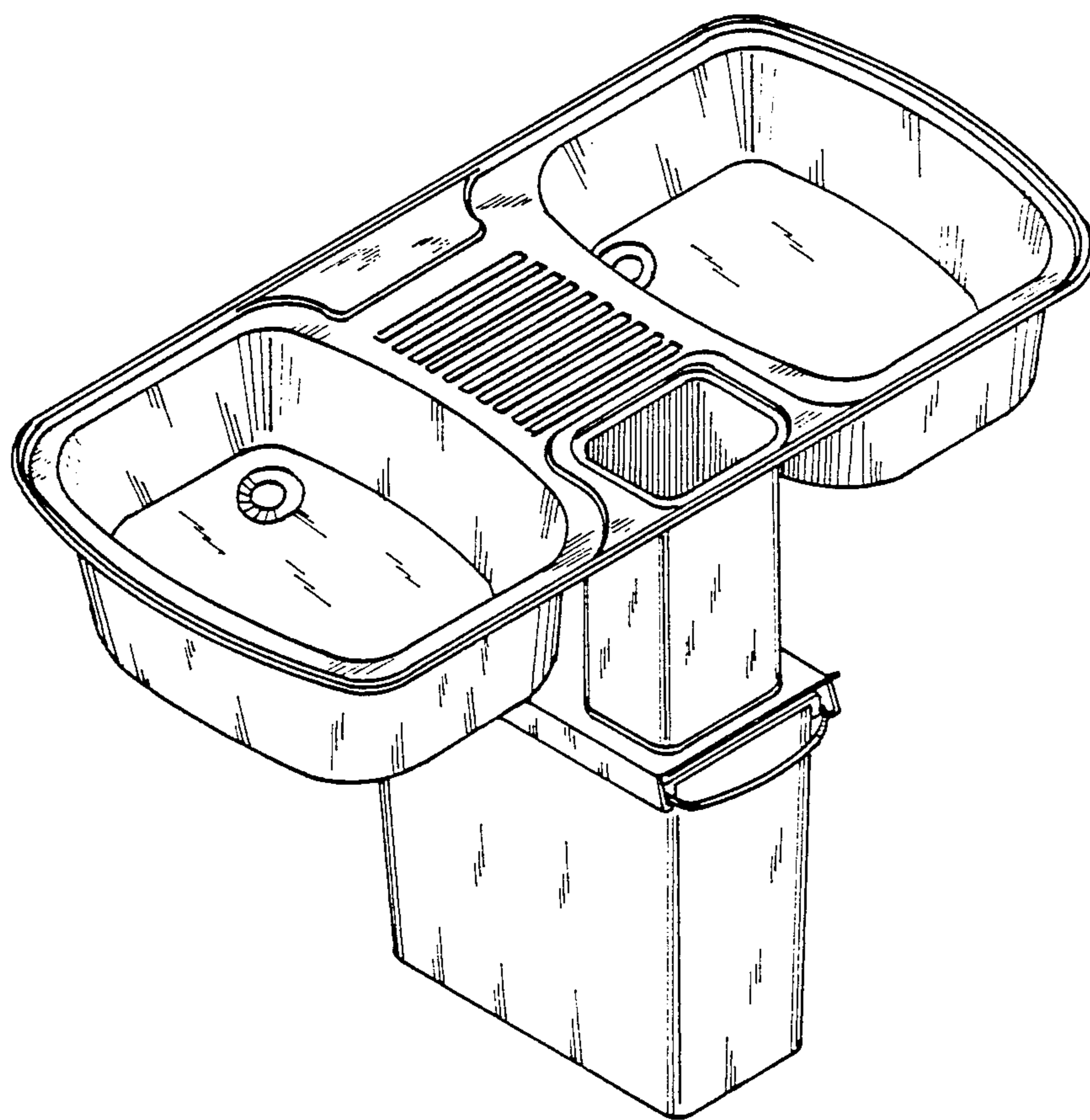


Fig.17

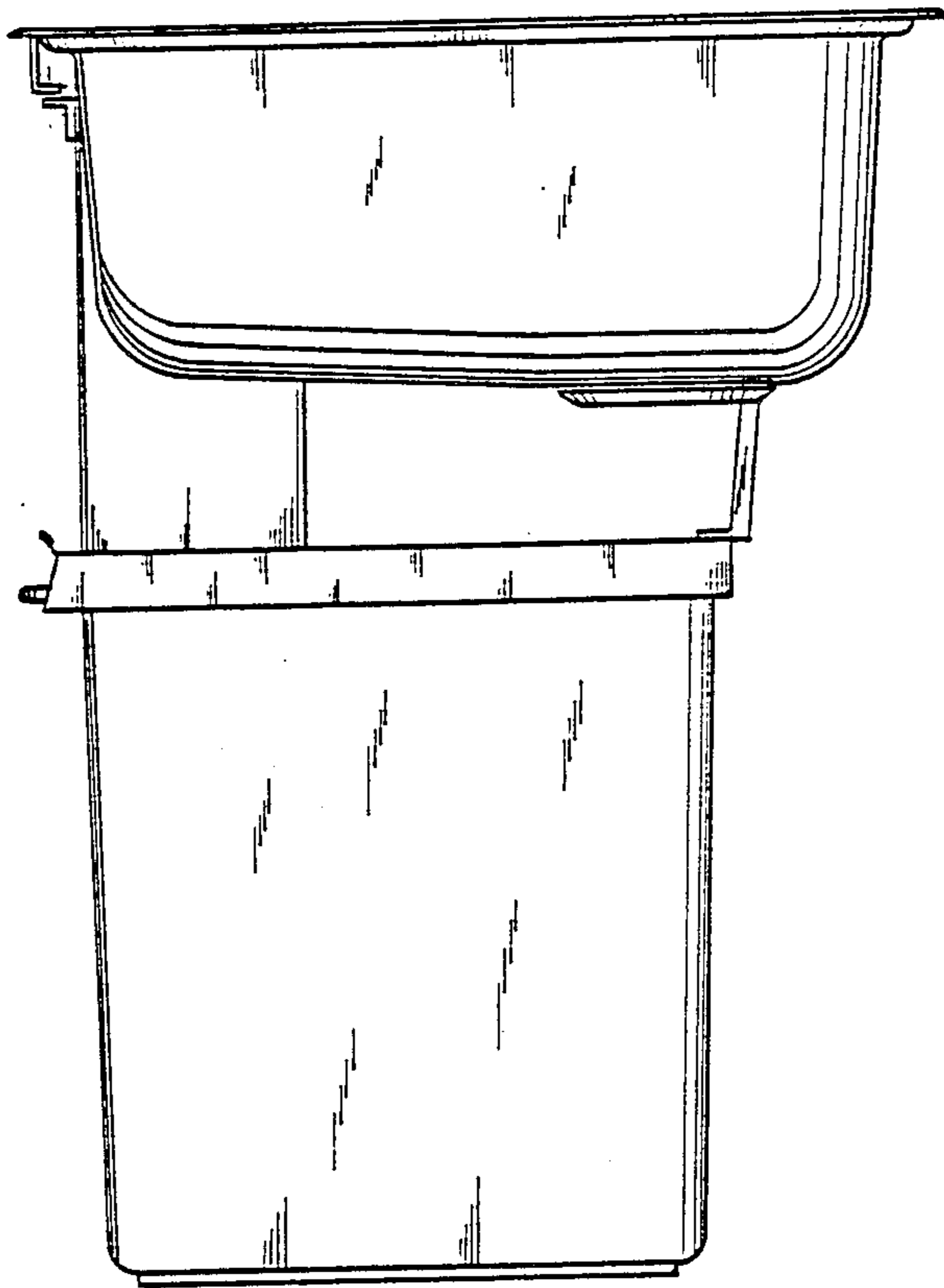


Fig.18

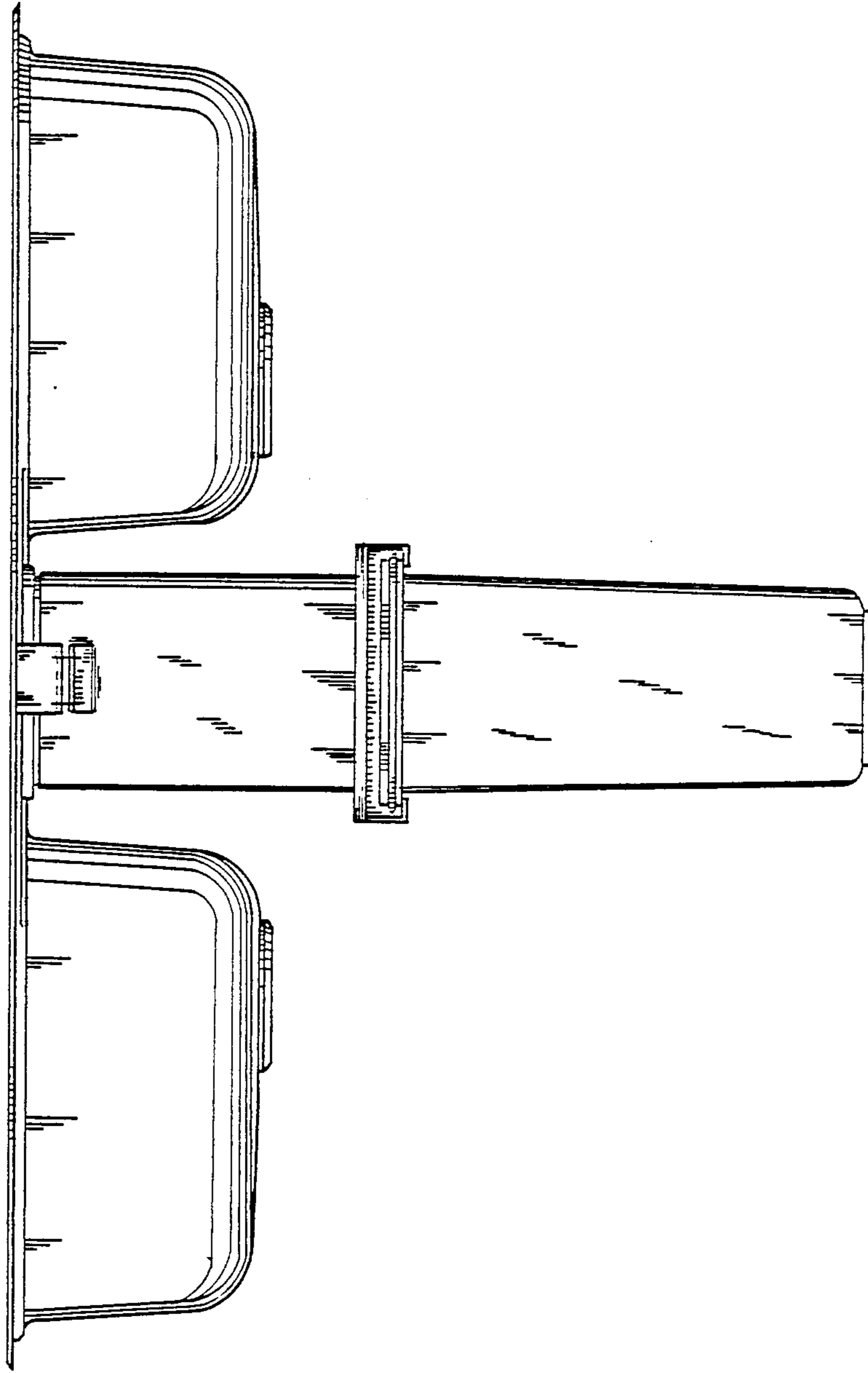


Fig.19

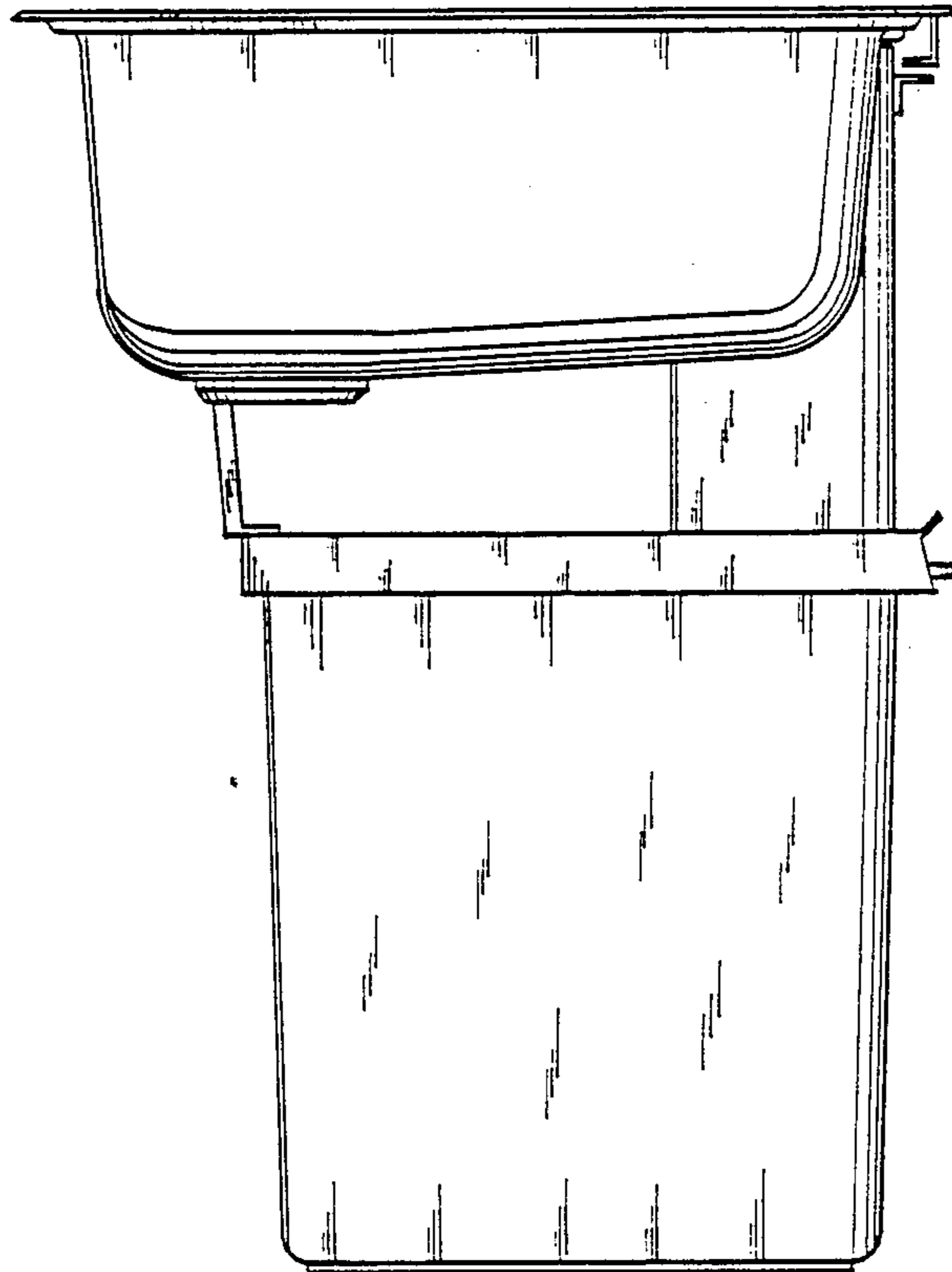


Fig. 20

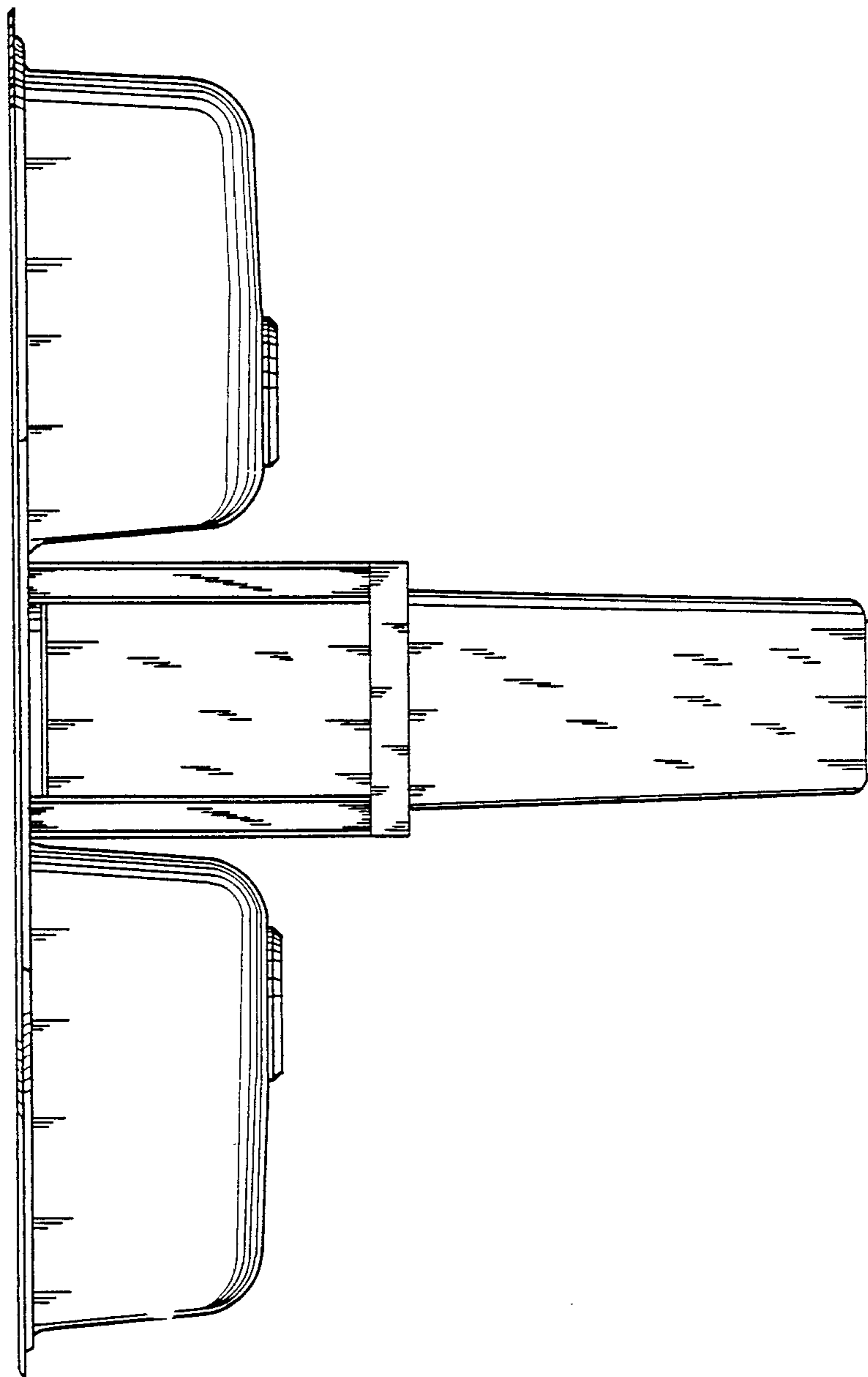


Fig. 21

