

[54] GOLF CLUB HEAD

[76] Inventor: Anthony J. Antonious, 205 E. Joppa Rd., Towson, Md. 21204

[**] Term: 14 Years

[21] Appl. No.: 653,712

[22] Filed: Sep. 24, 1984

[52] U.S. Cl. D21/219

[58] Field of Search D21/217-219; 273/167-175, 163 R, 164, 77 R, 78

[56] References Cited

U.S. PATENT DOCUMENTS

- D. 212,890 12/1968 Rose D21/217
- D. 282,555 2/1986 Shearer D21/217
- 4,136,877 1/1979 Antonious 273/164

OTHER PUBLICATIONS

Golf Digest, Apr. 1977, p. 34, Middle Putter, Lynx Frame B-1.

Golf World, Jul. 13, 1979, p. 15, top right, "The Wish-bone", Putter.

Primary Examiner—Melvin B. Feifer
Attorney, Agent, or Firm—N. J. Aquilino

[57] CLAIM

The ornamental design for a golf club head, as shown and described.

DESCRIPTION

FIG. 1 is a perspective view of the golf club head showing my new design.

FIG. 2 is a rear elevational view thereof, with a broken line portion of a shaft shown for illustrative purposes only.

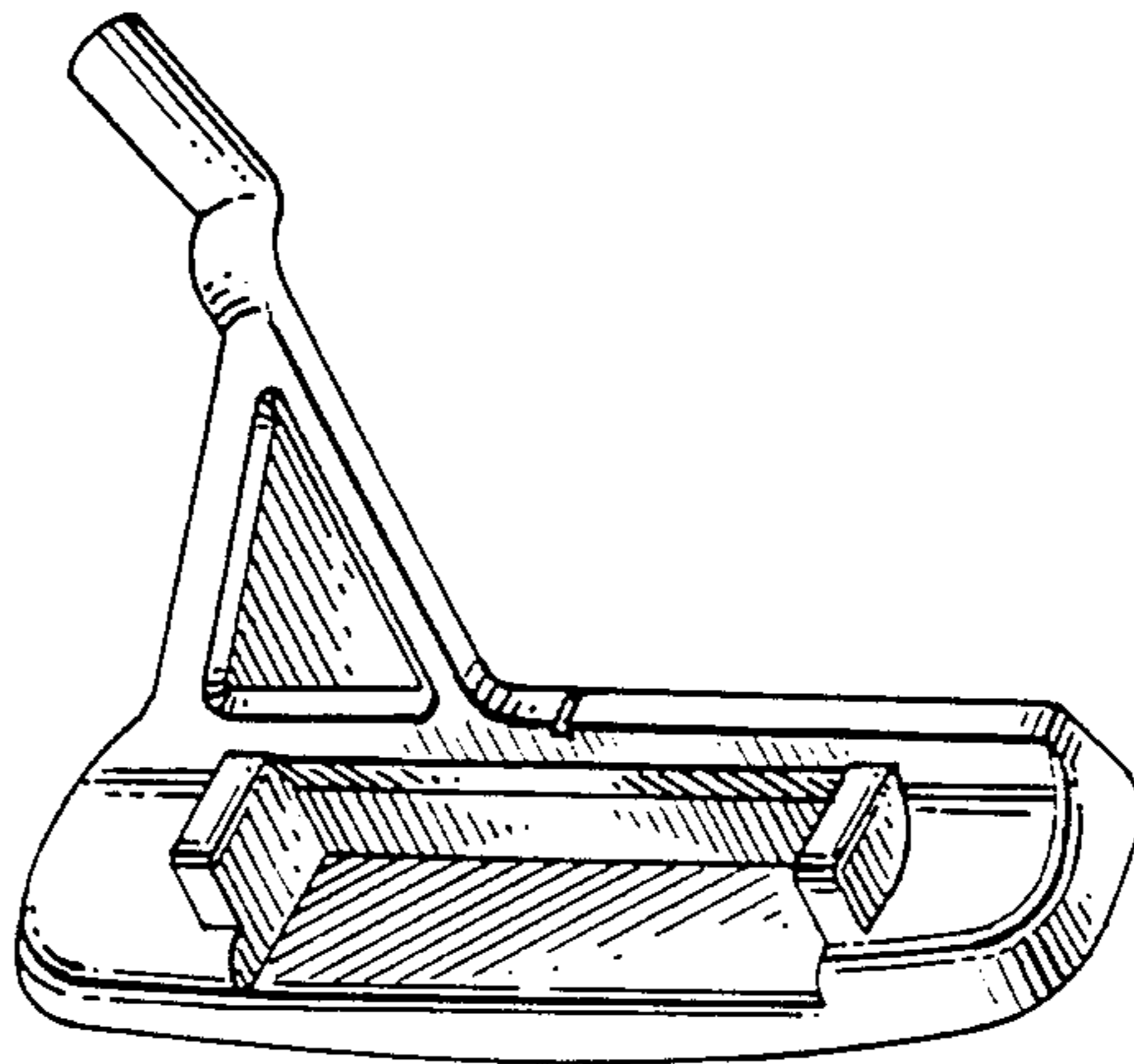
FIG. 3 is an end elevational view thereof.

FIG. 4 is a top plan view thereof.

FIG. 5 is an end elevational view taken from the opposite side of FIG. 3.

FIG. 6 is a bottom view thereof.

FIG. 7 is a front elevational view thereof.



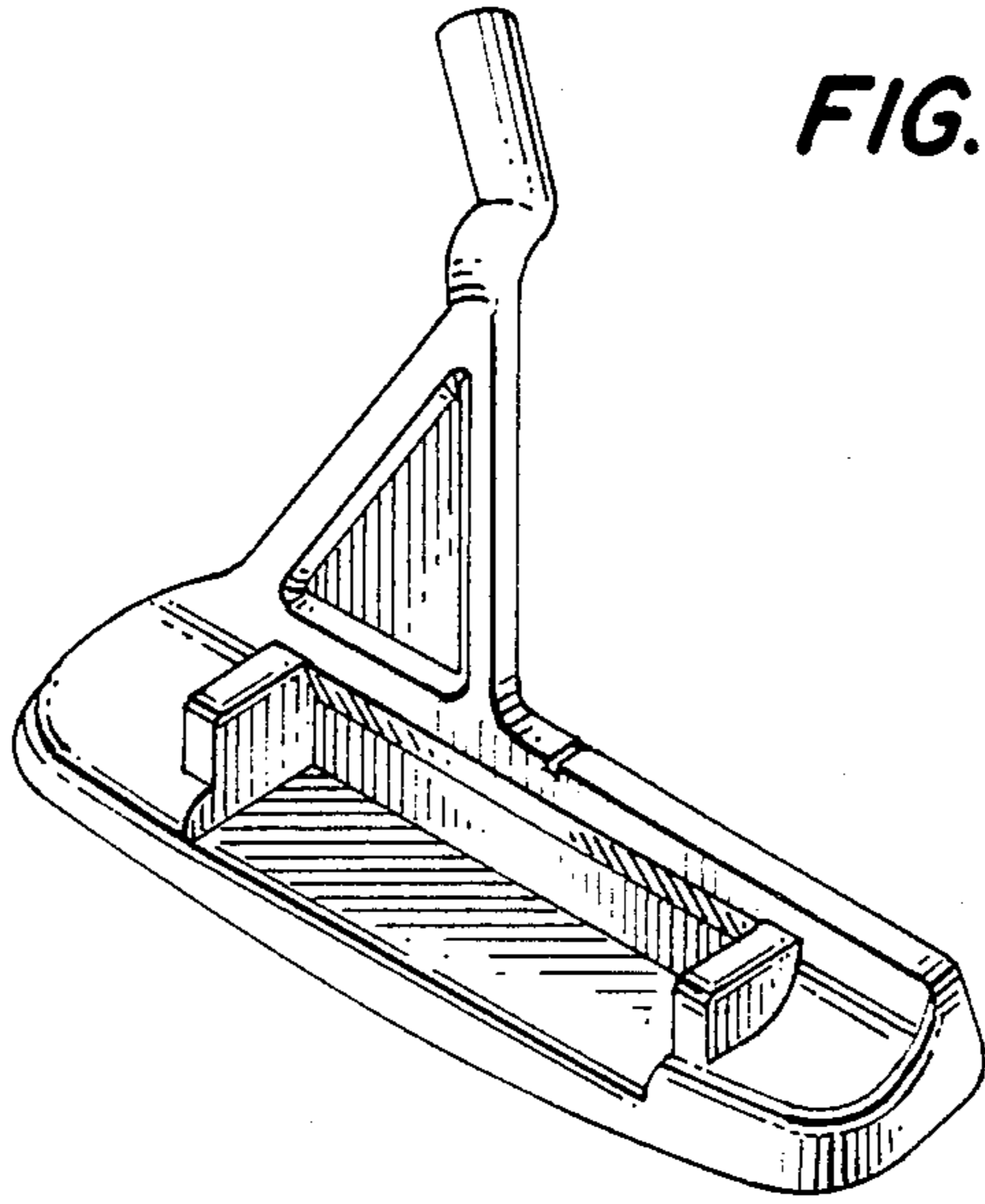


FIG. 1.

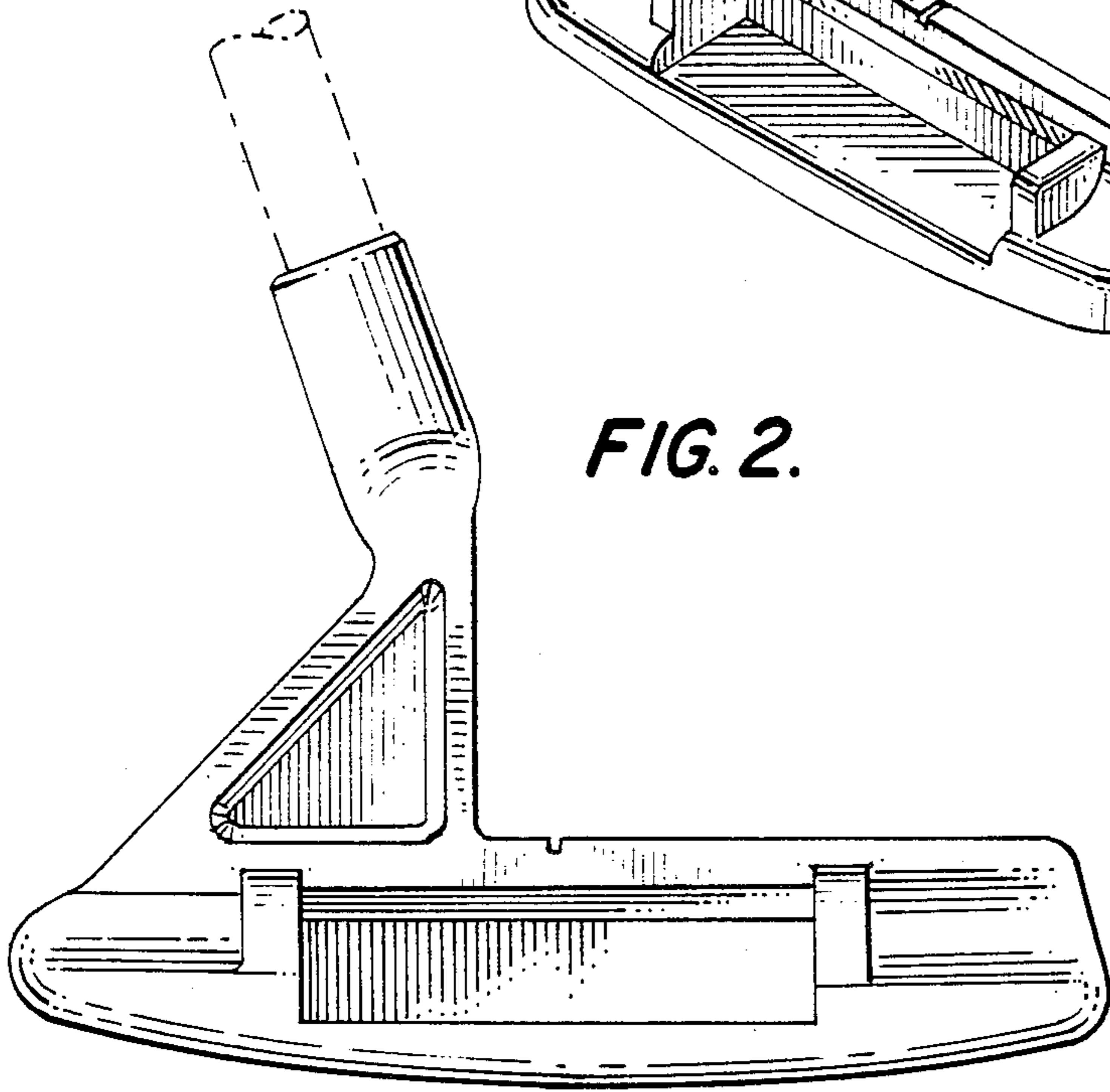


FIG. 2.

FIG. 3.

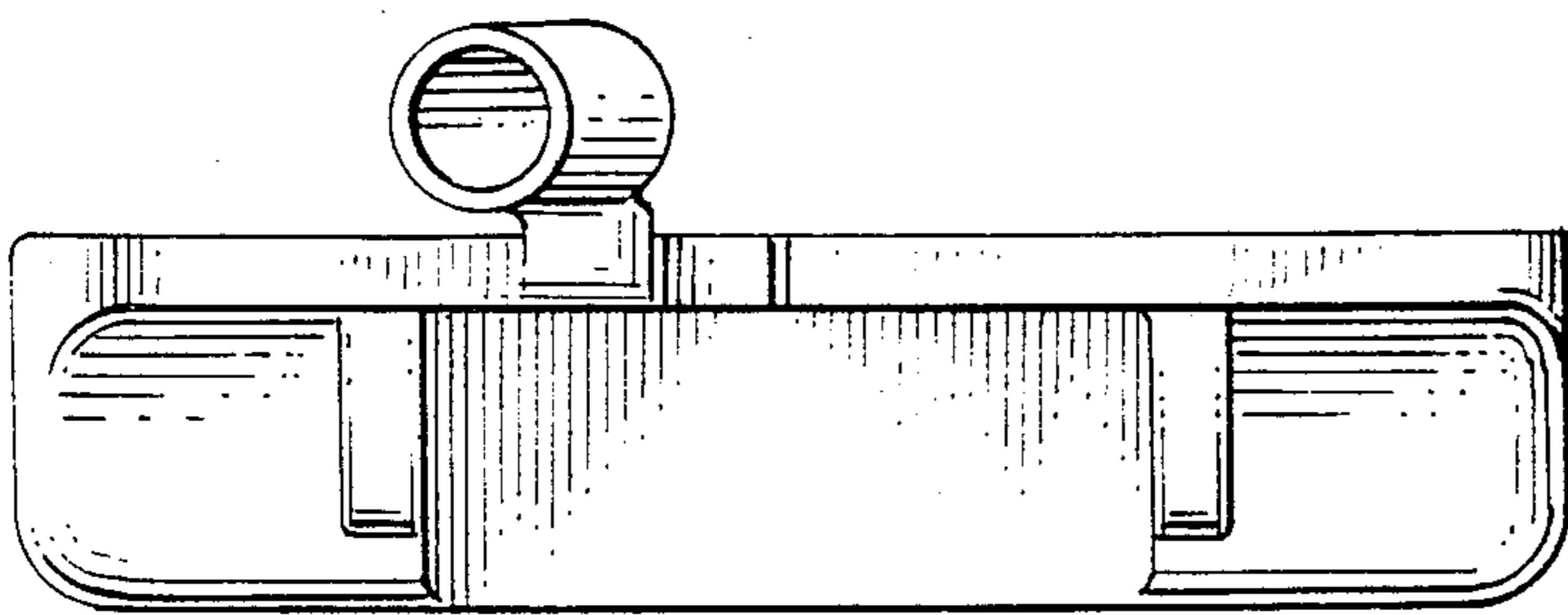
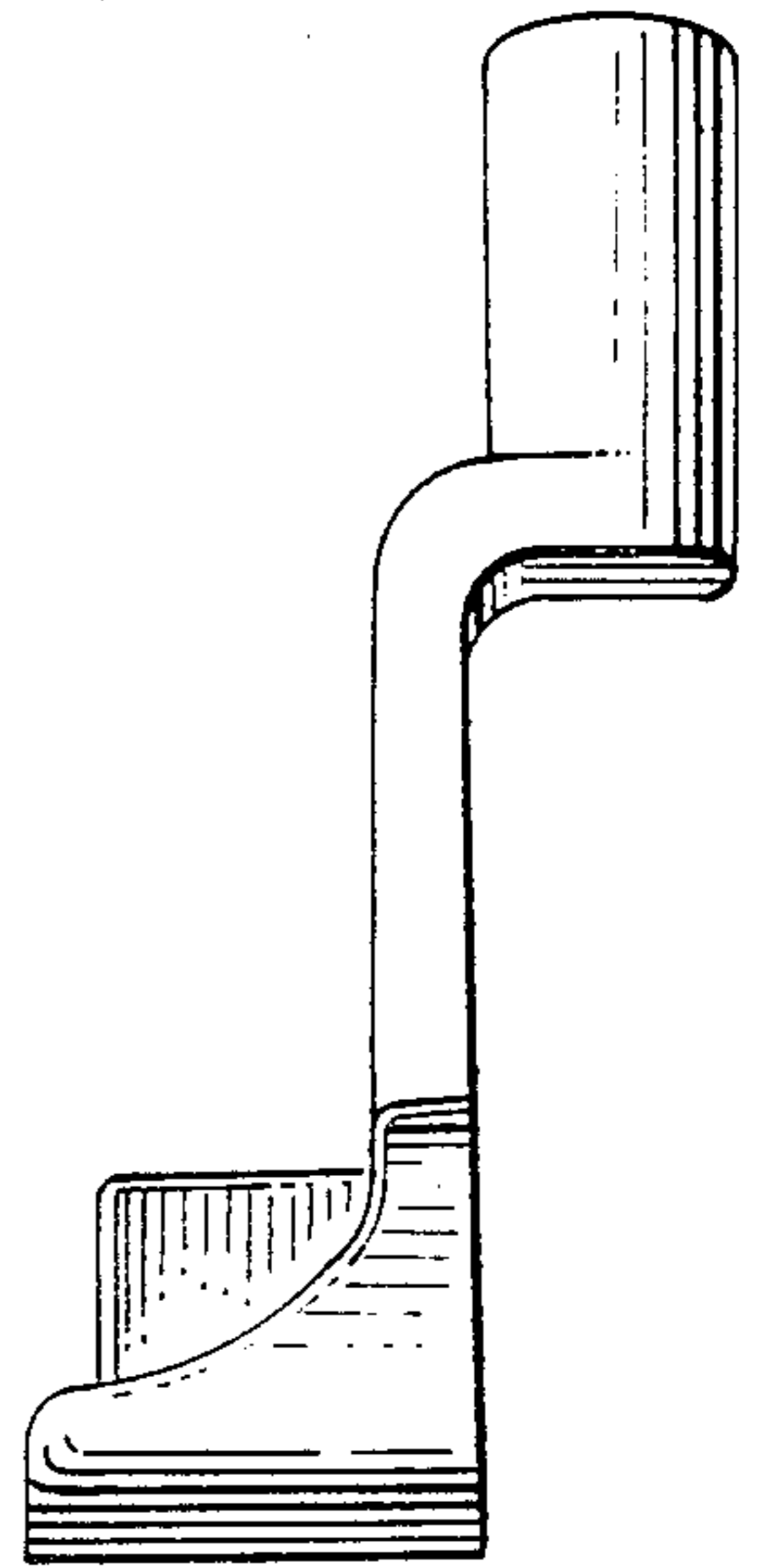


FIG. 4.

FIG. 5.

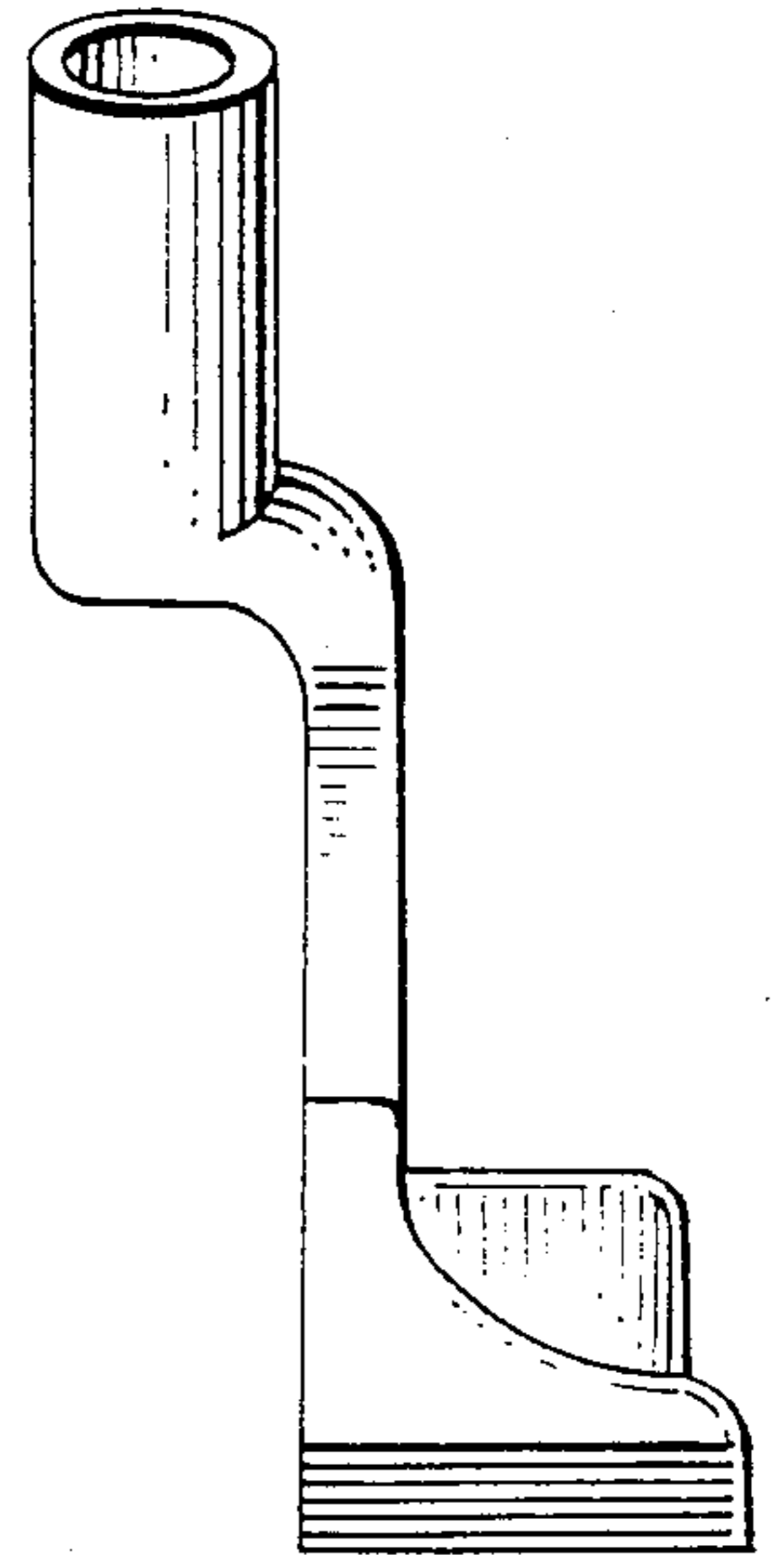


FIG. 6.

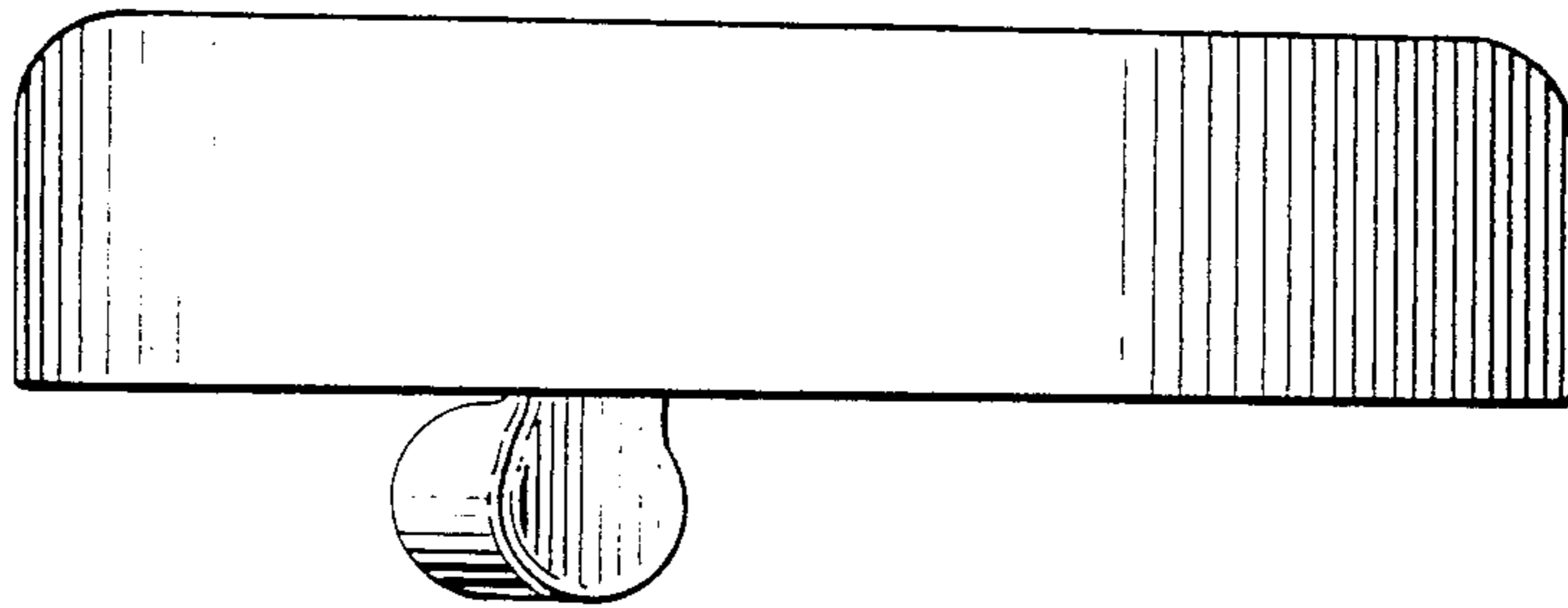


FIG. 7.

