

[54] RECONFIGURABLE TOY SPACE SHUTTLE

[75] Inventor: Daishirou Shibukawa, Tokyo, Japan

[73] Assignee: Takara Co., Ltd., Tokyo, Japan

[**] Term: 14 Years

[21] Appl. No.: 806,184

[22] Filed: Nov. 22, 1985

[30] Foreign Application Priority Data

Oct. 14, 1985 [JP] Japan 60-42969

[52] U.S. Cl. D21/87; D21/150; D21/166

[58] Field of Search D21/59, 87, 91, 150, D21/166; D12/319, 320, 343, 342; 446/94, 95, 487, 71, 72, 75-77, 78

[56] References Cited

U.S. PATENT DOCUMENTS

- D. 261,286 10/1981 Breneman D21/87
- D. 283,144 3/1986 Jensen D21/87
- D. 289,536 3/1987 Ohno D21/166
- 4,543,073 9/1985 Matsuda 446/487

FOREIGN PATENT DOCUMENTS

WO86/03985 7/1986 PCT Int'l Appl. 446/94

OTHER PUBLICATIONS

Spaceflight Magazine, 2-1981, vol. 23 #2, front cover, U.S. Space Shuttle.

Primary Examiner—Charles A. Rademaker
Attorney, Agent, or Firm—Price, Gess & Ubell

[57] CLAIM

The ornamental design for a reconfigurable toy space shuttle, substantially as shown and described.

DESCRIPTION

FIG. 1 is a front side perspective view of a reconfigurable toy space shuttle showing my new design; FIG. 2 is a front elevational view thereof; FIG. 3 is a right side elevational view thereof; FIG. 4 is a left side elevational view thereof; FIG. 5 is a rear elevational view thereof; FIG. 6 is a top plan view thereof; FIG. 7 is a bottom plan view thereof; FIG. 8 is a front perspective view of a modified embodiment of the design shown in FIGS. 1 through 7; FIG. 9 is a front perspective view of the design shown in FIGS. 1 through 7 in a robotic humanoid configuration; FIG. 10 is a front elevational view thereof; FIG. 11 is a right side elevational view thereof; FIG. 12 is a left side elevational view thereof; FIG. 13 is a rear elevational view thereof; FIG. 14 is a top plan view thereof; and FIG. 15 is a bottom plan view thereof.

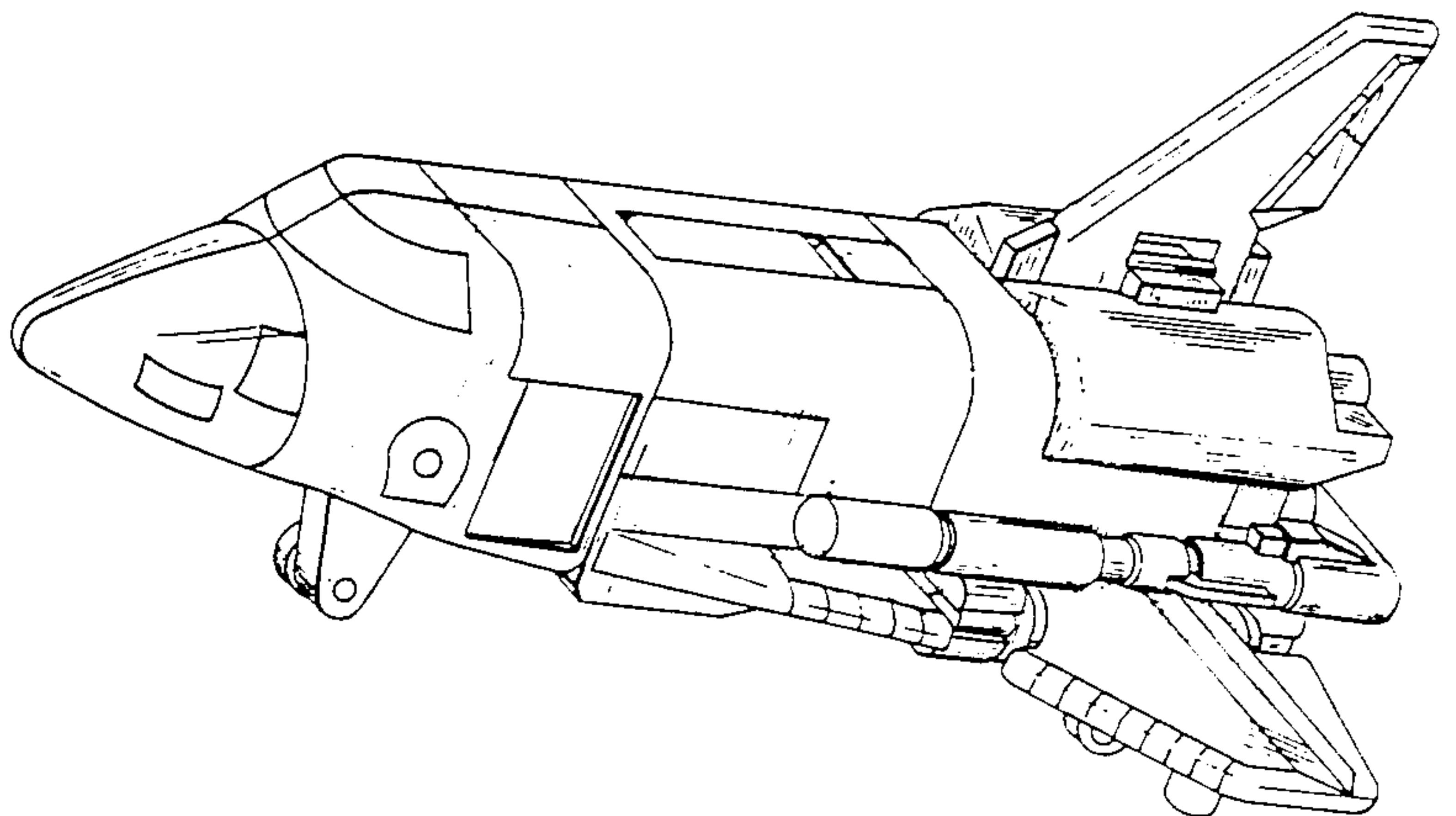
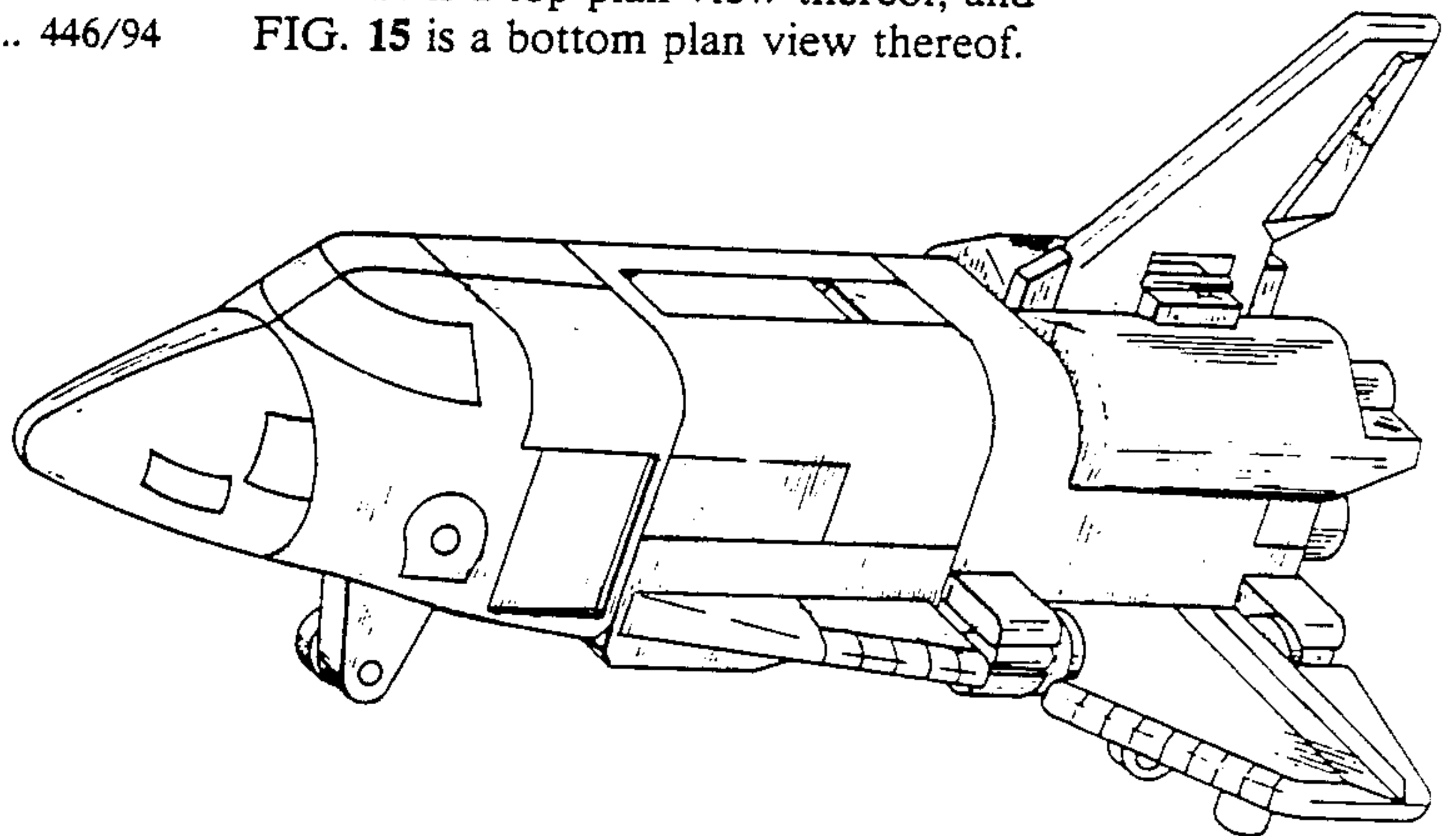
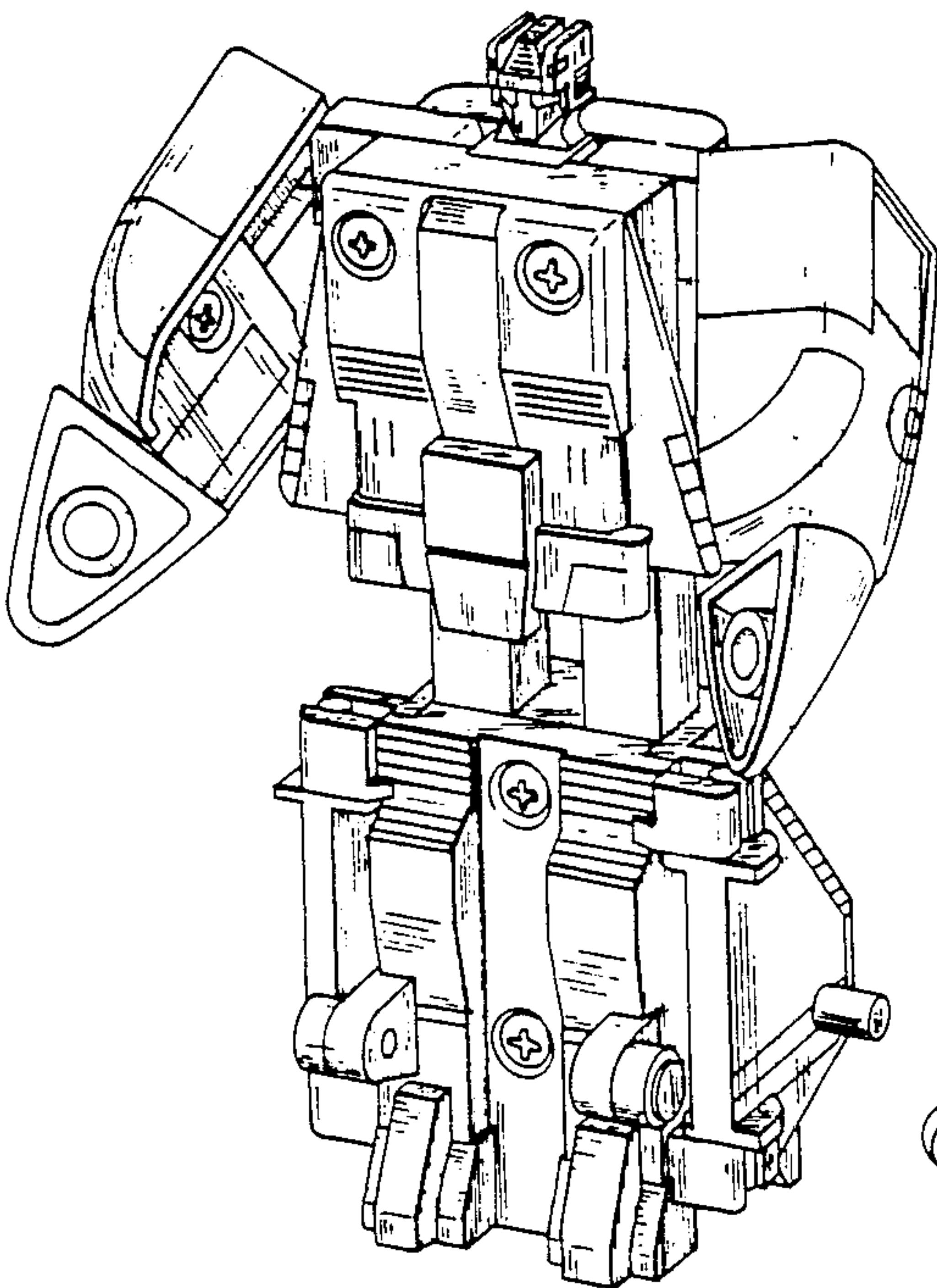


FIG. 1

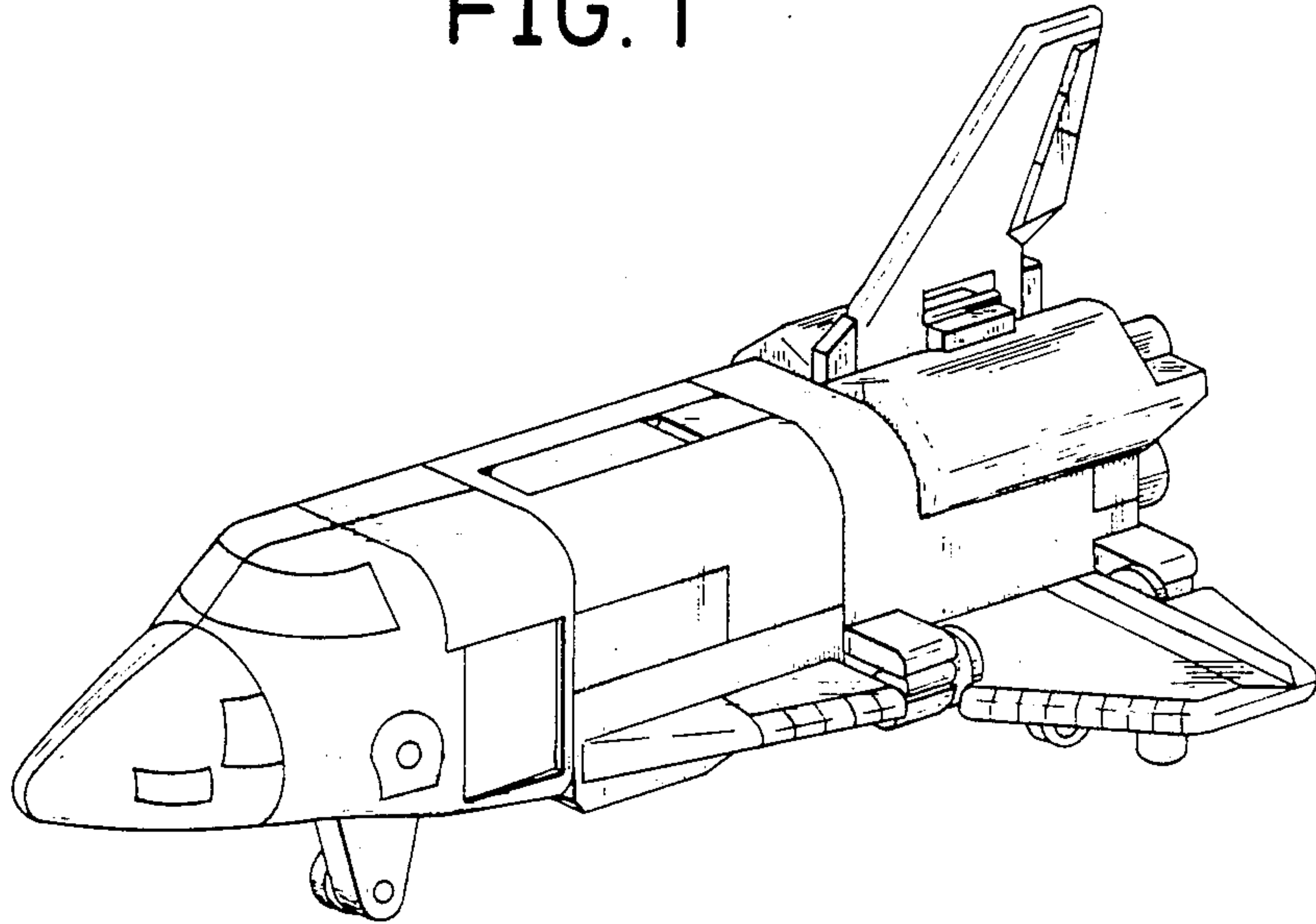


FIG. 2

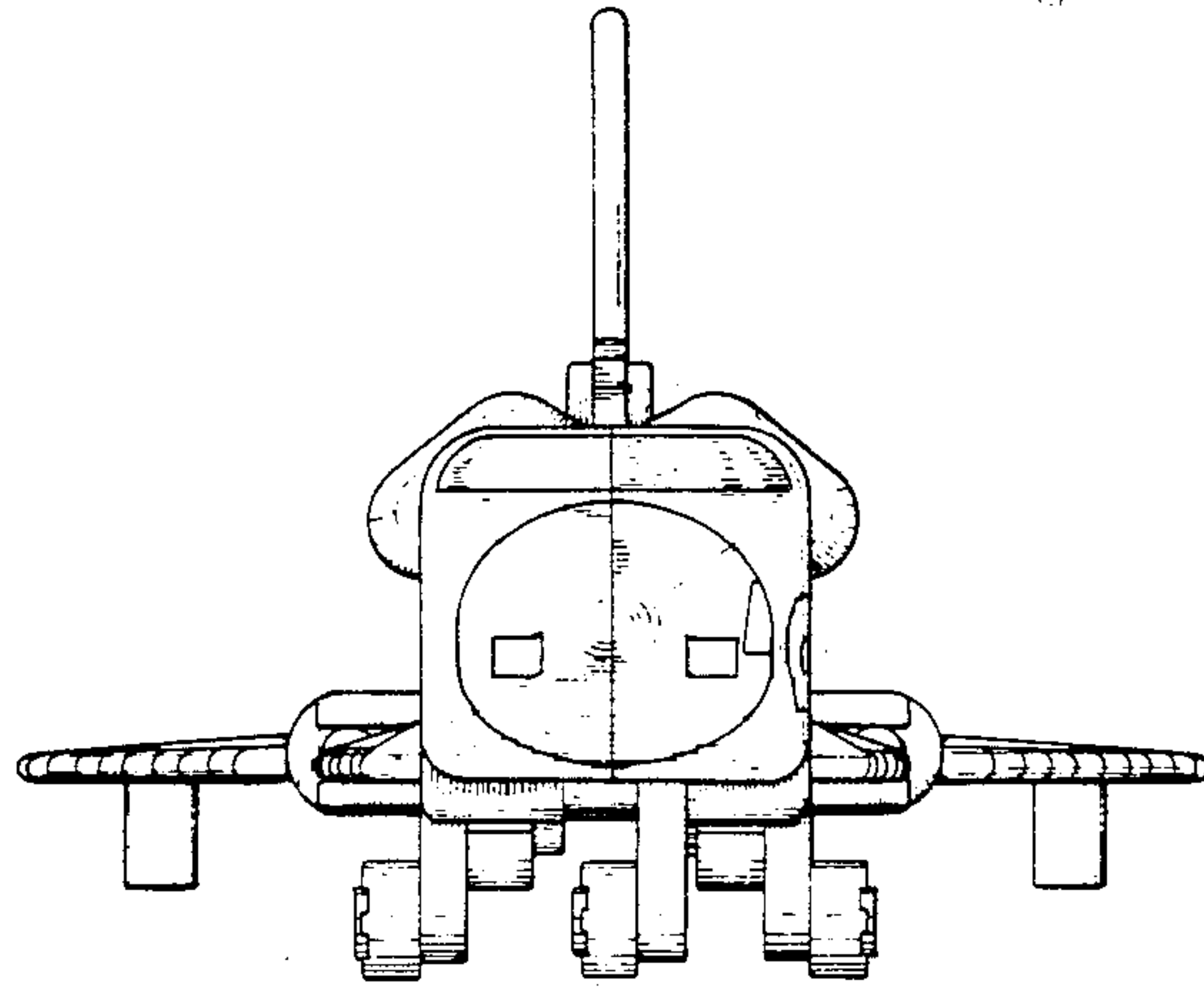


FIG. 3

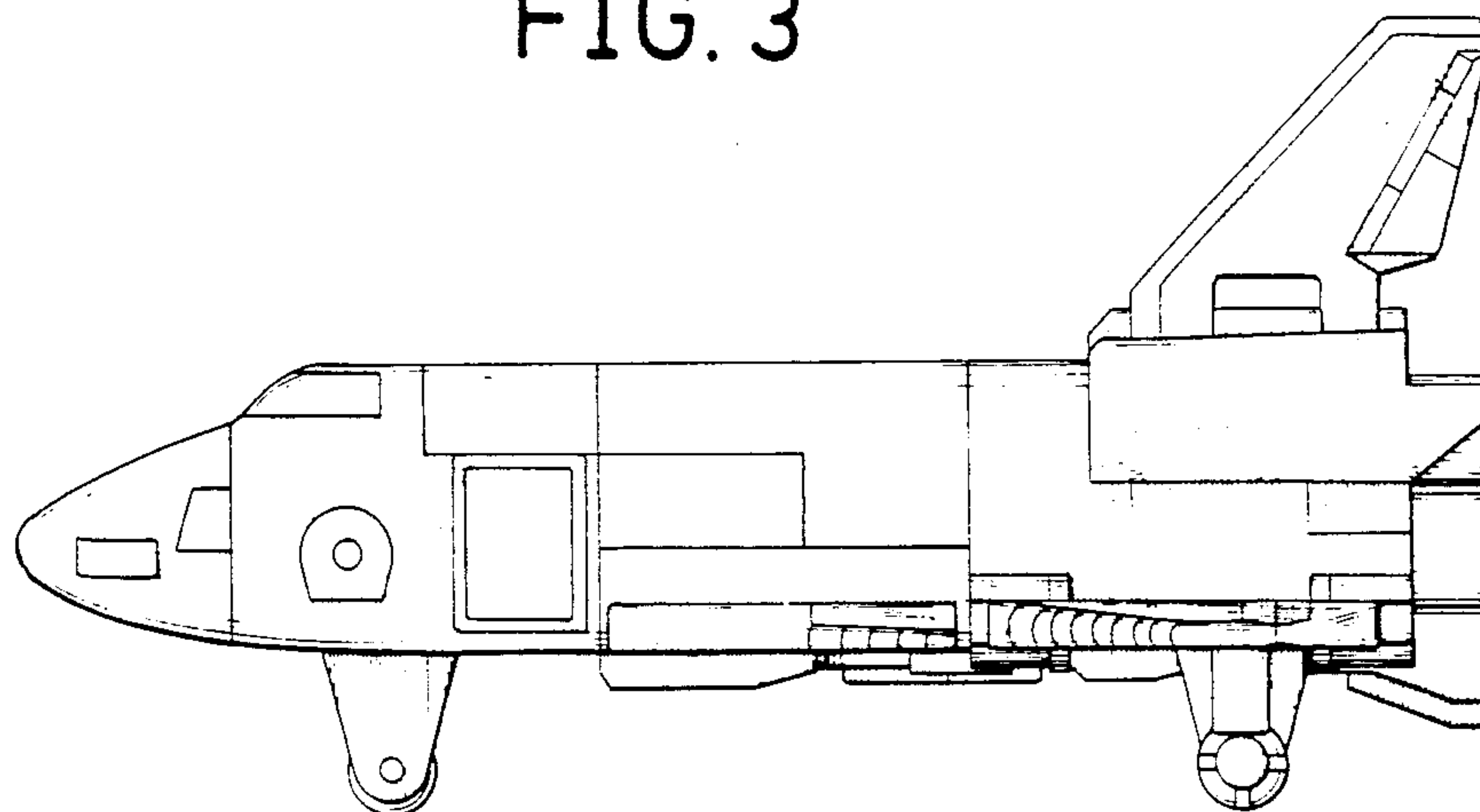


FIG. 4

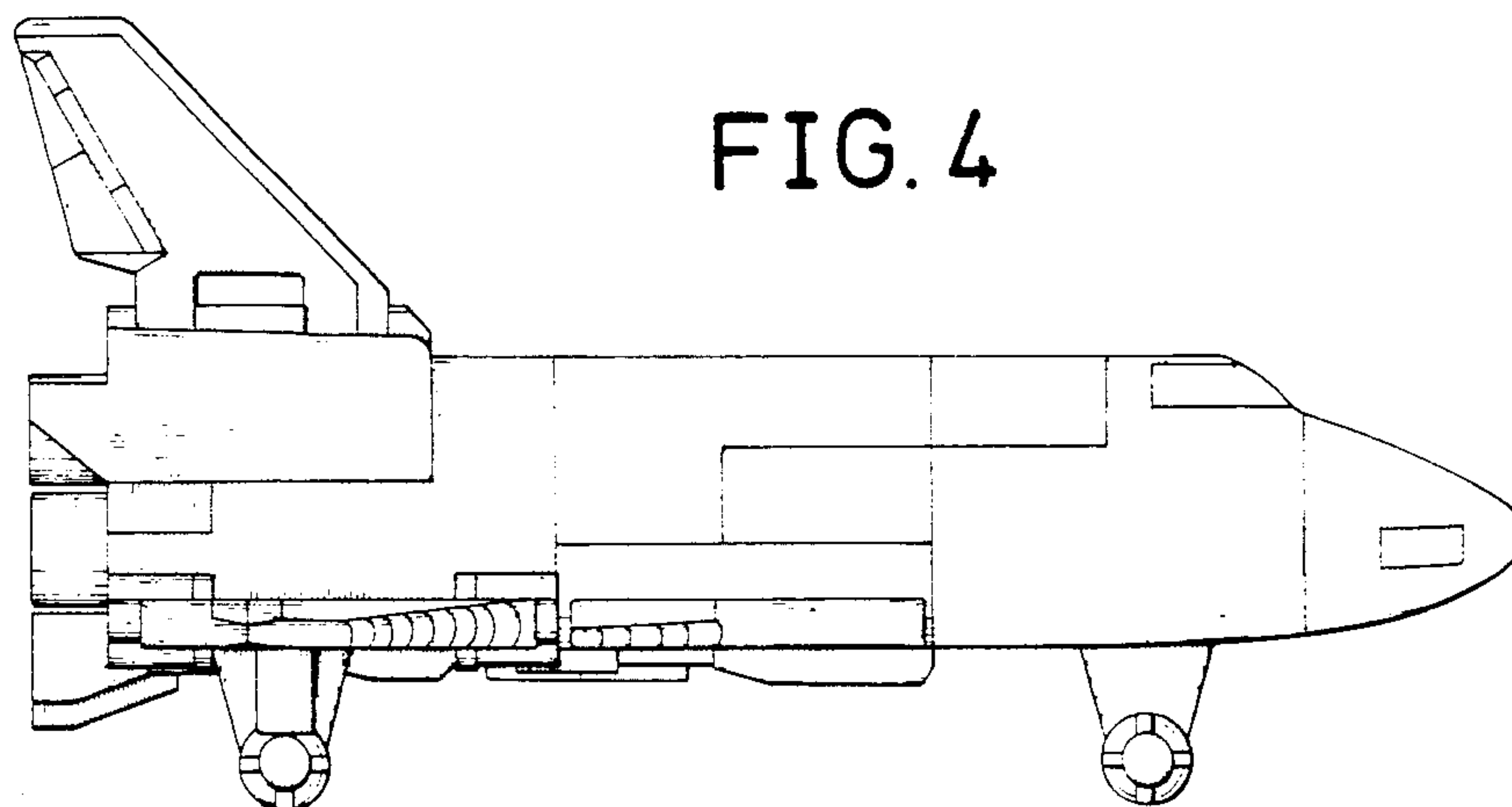


FIG. 5

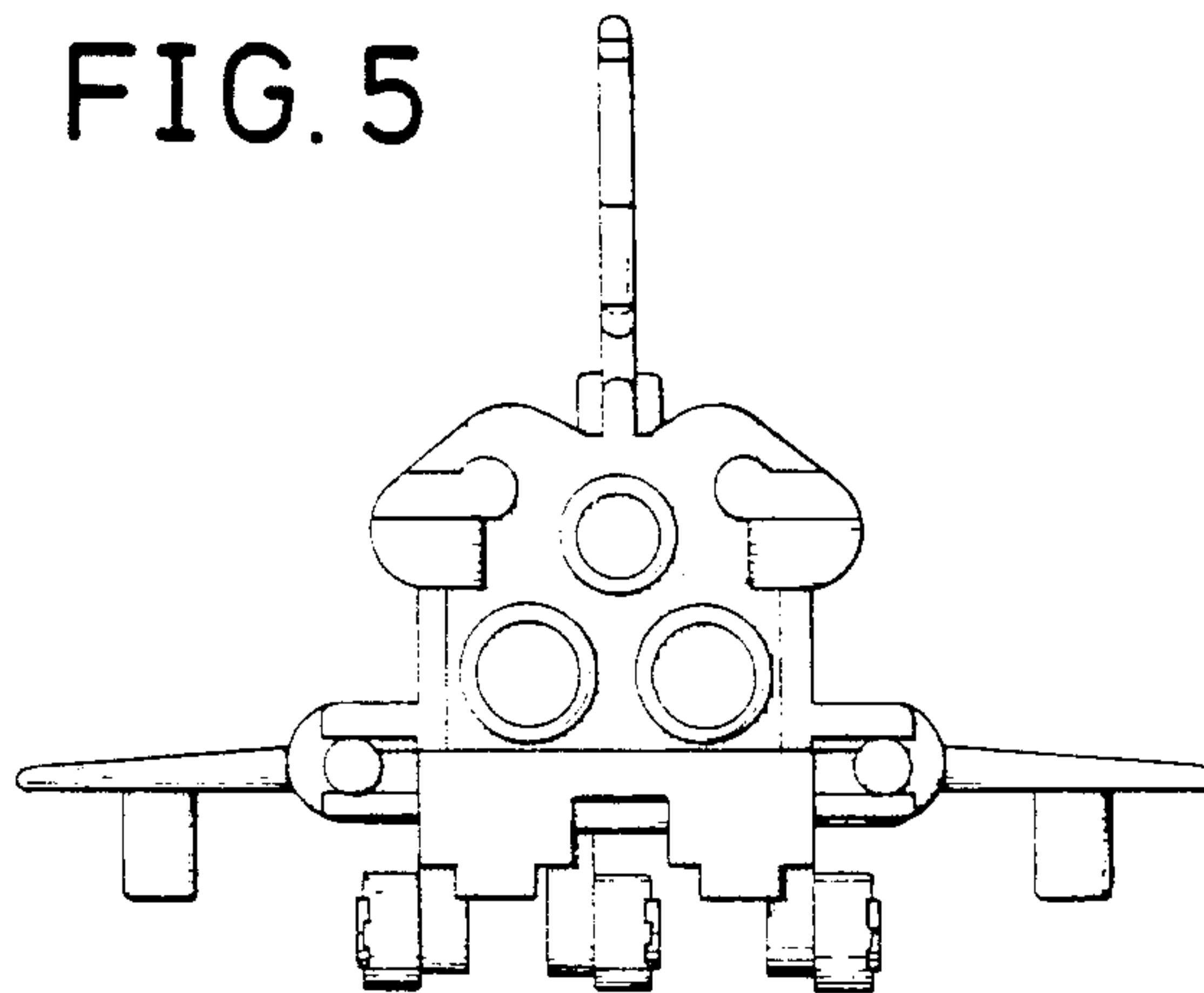


FIG. 7

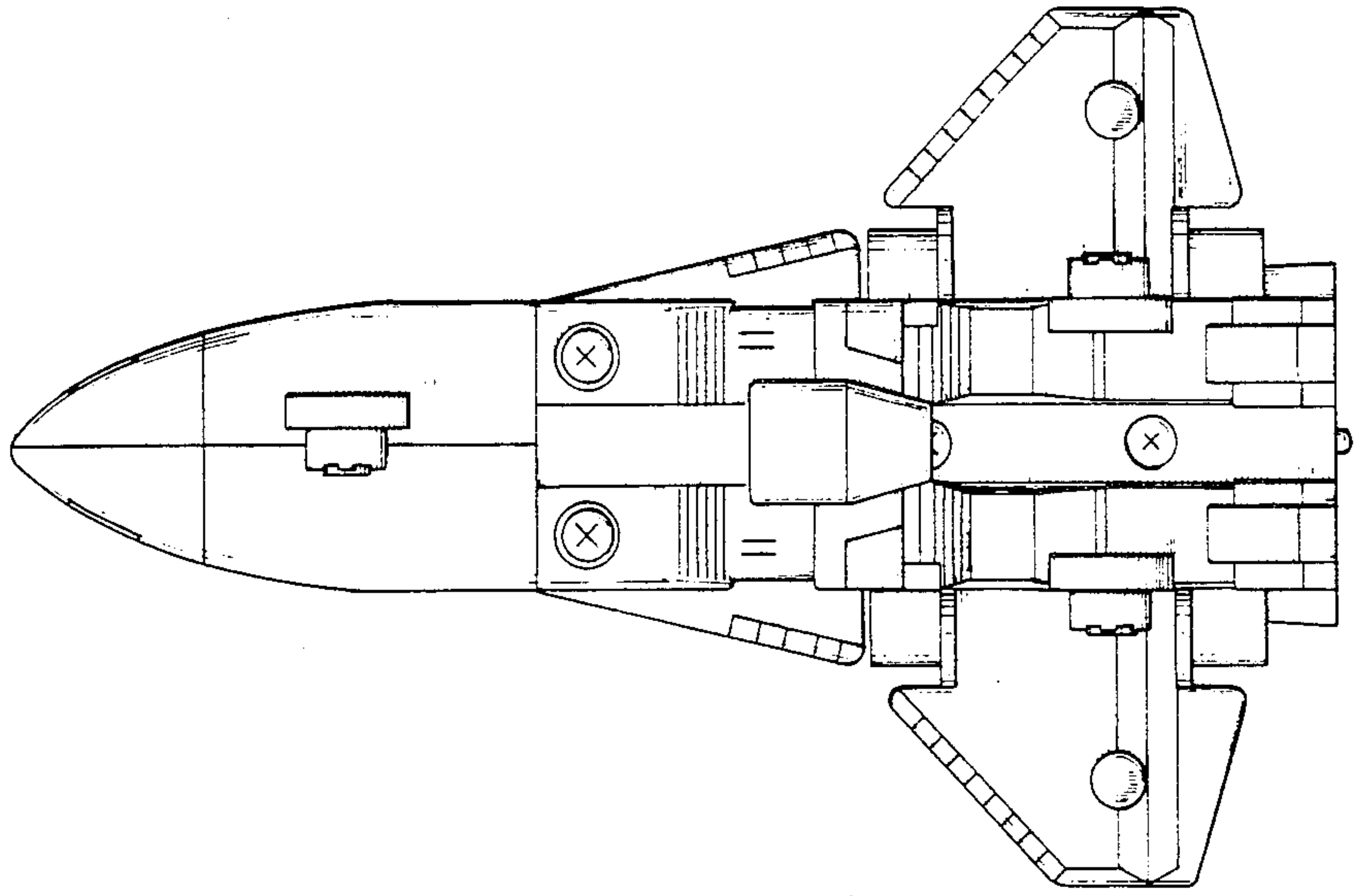


FIG. 6

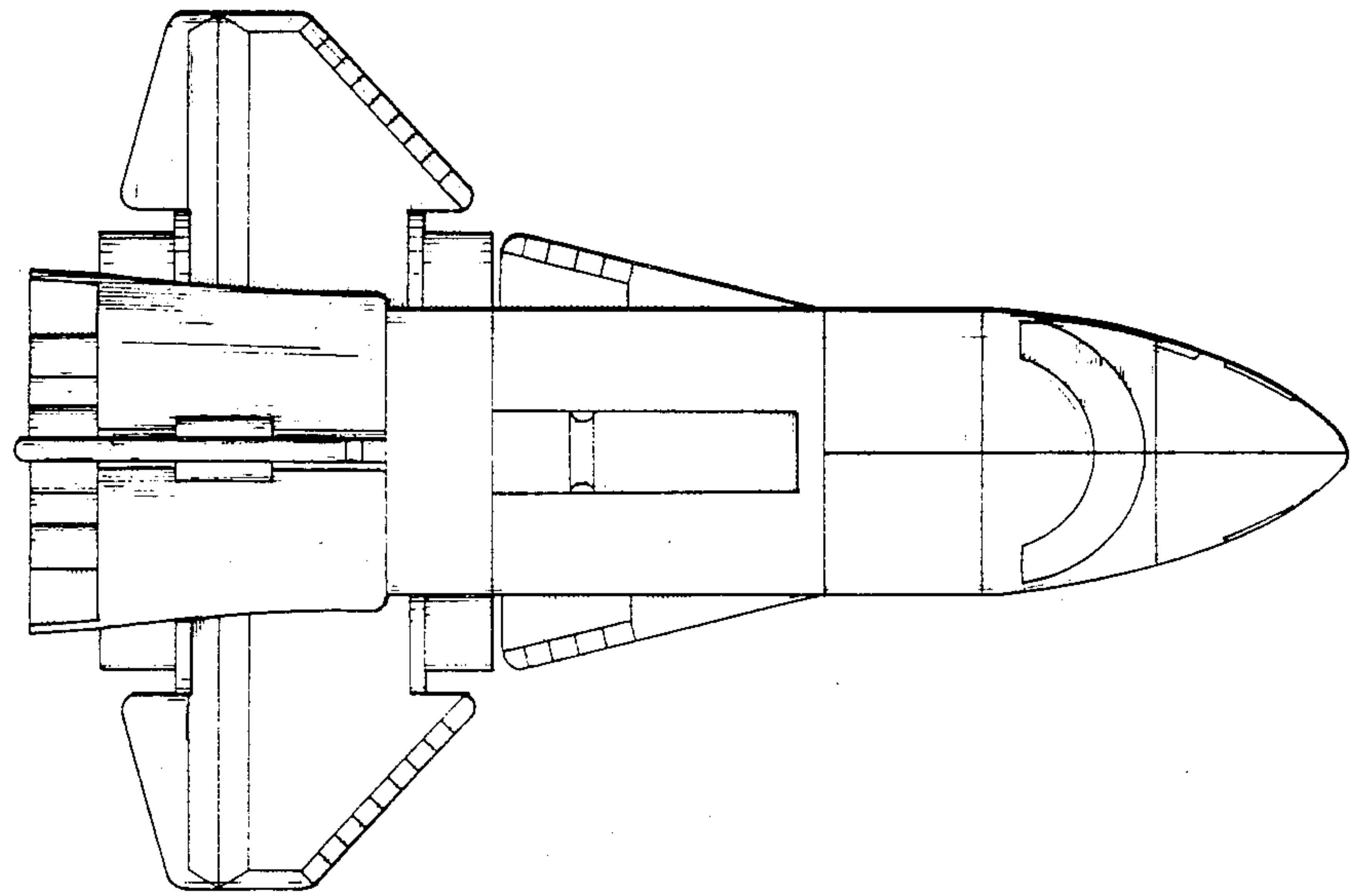


FIG. 8

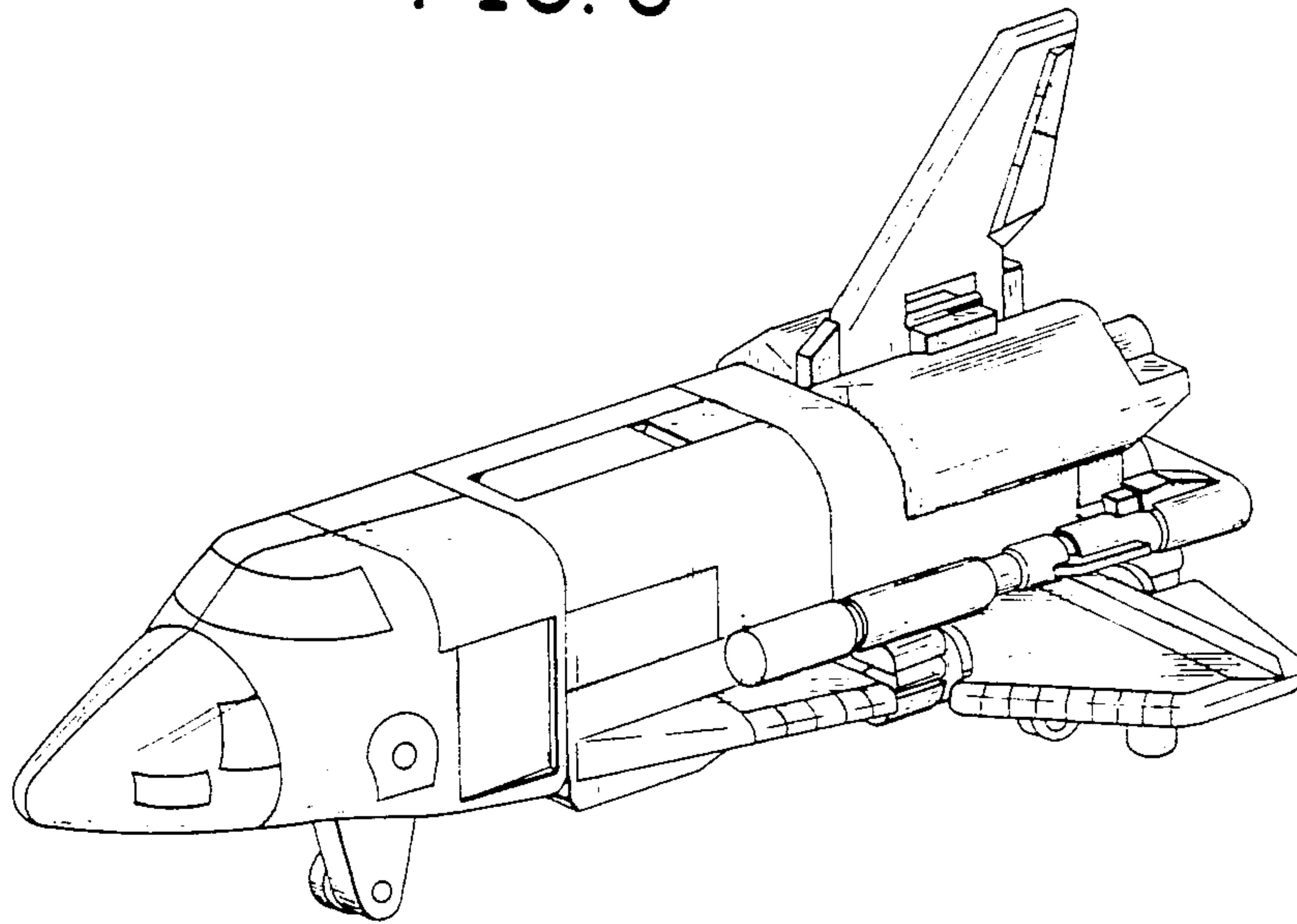


FIG. 9

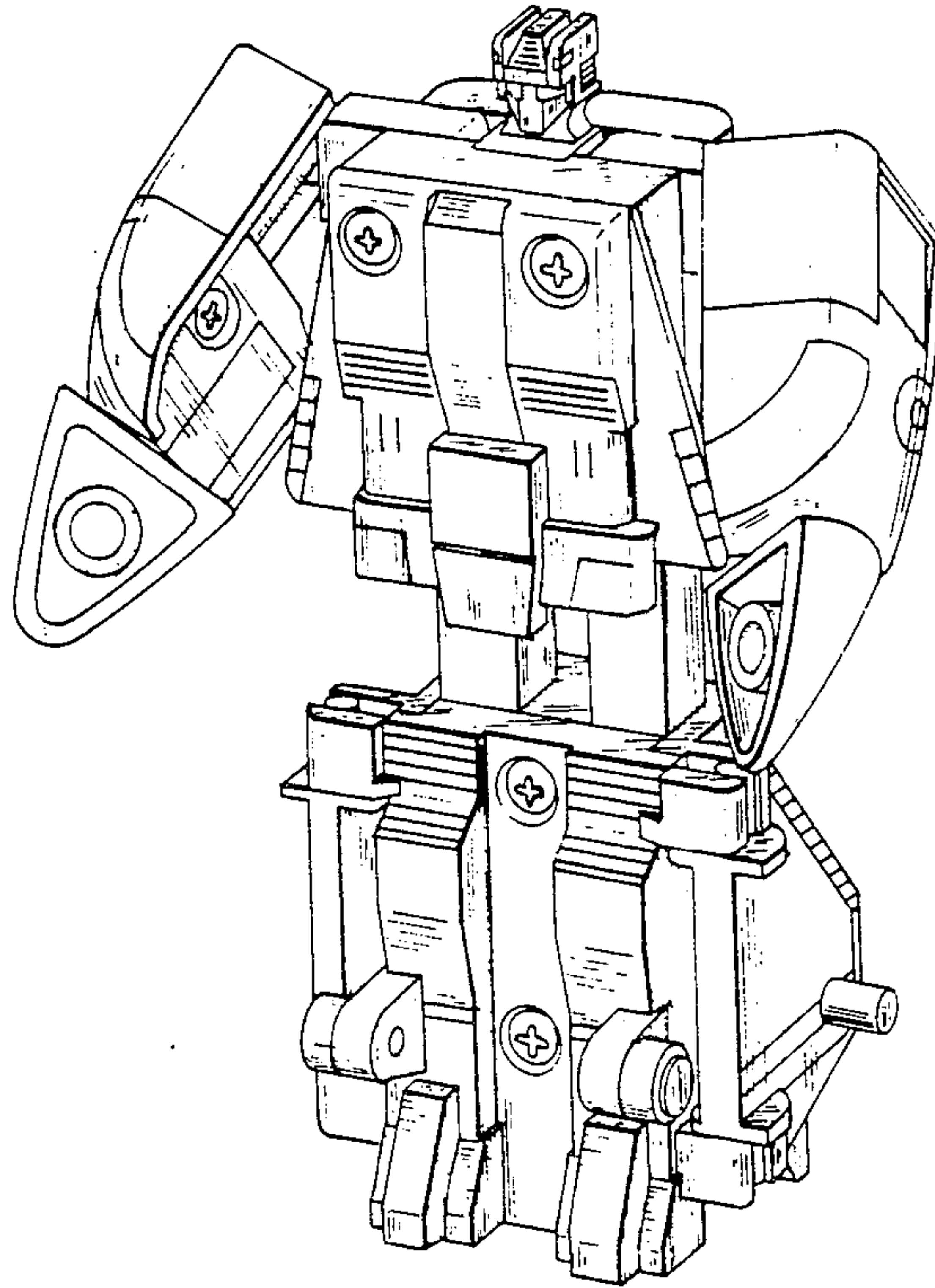


FIG.11

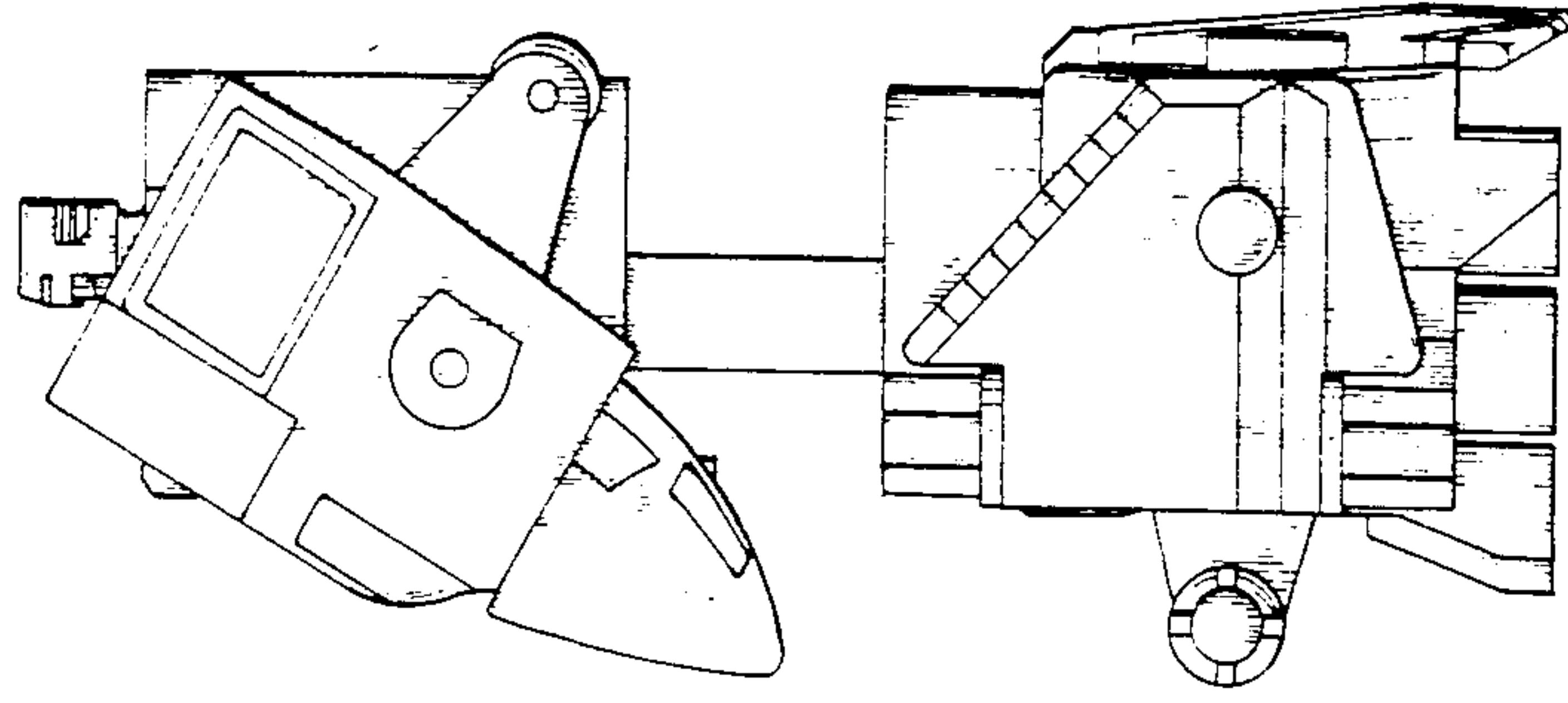


FIG.10

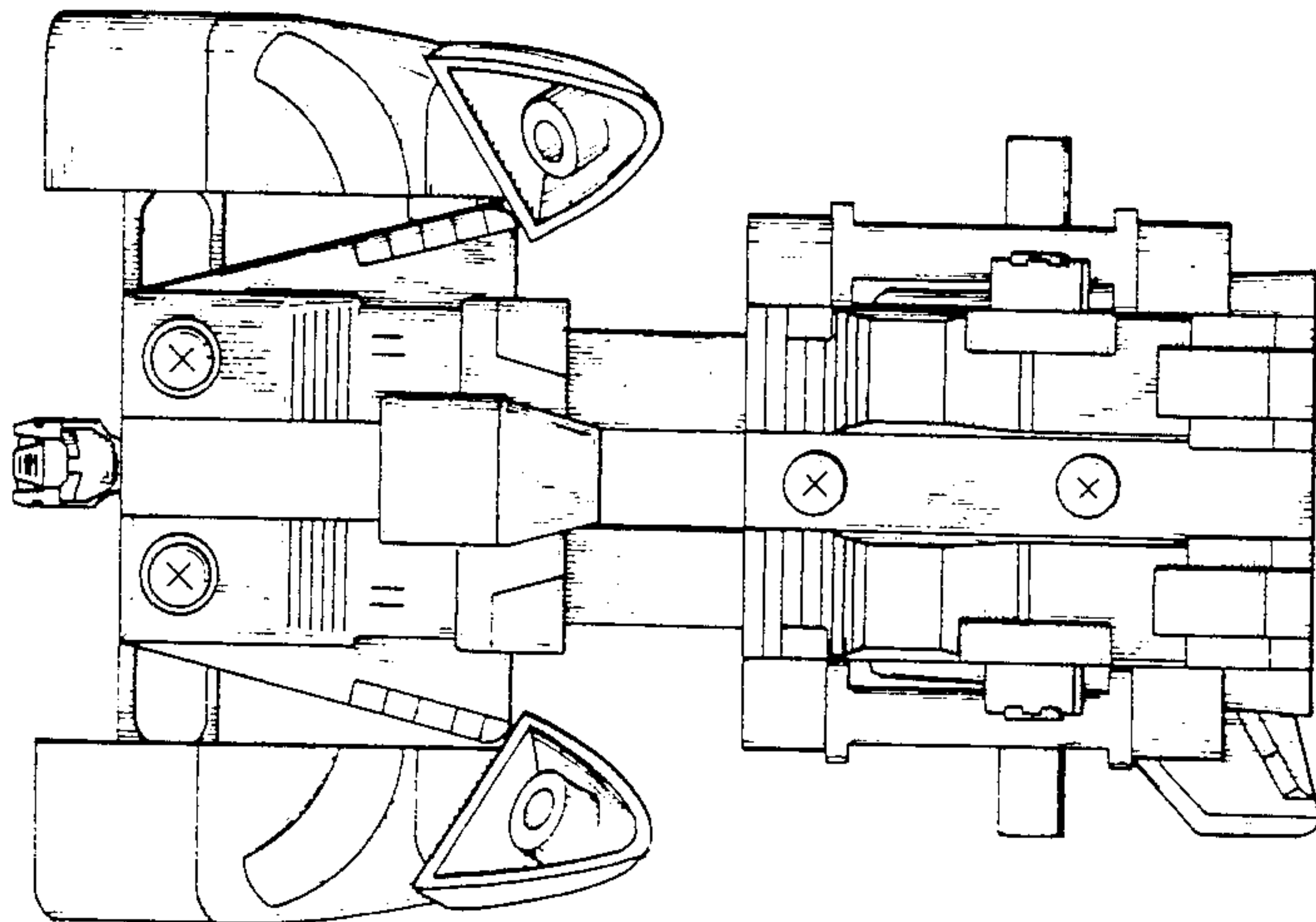


FIG.13

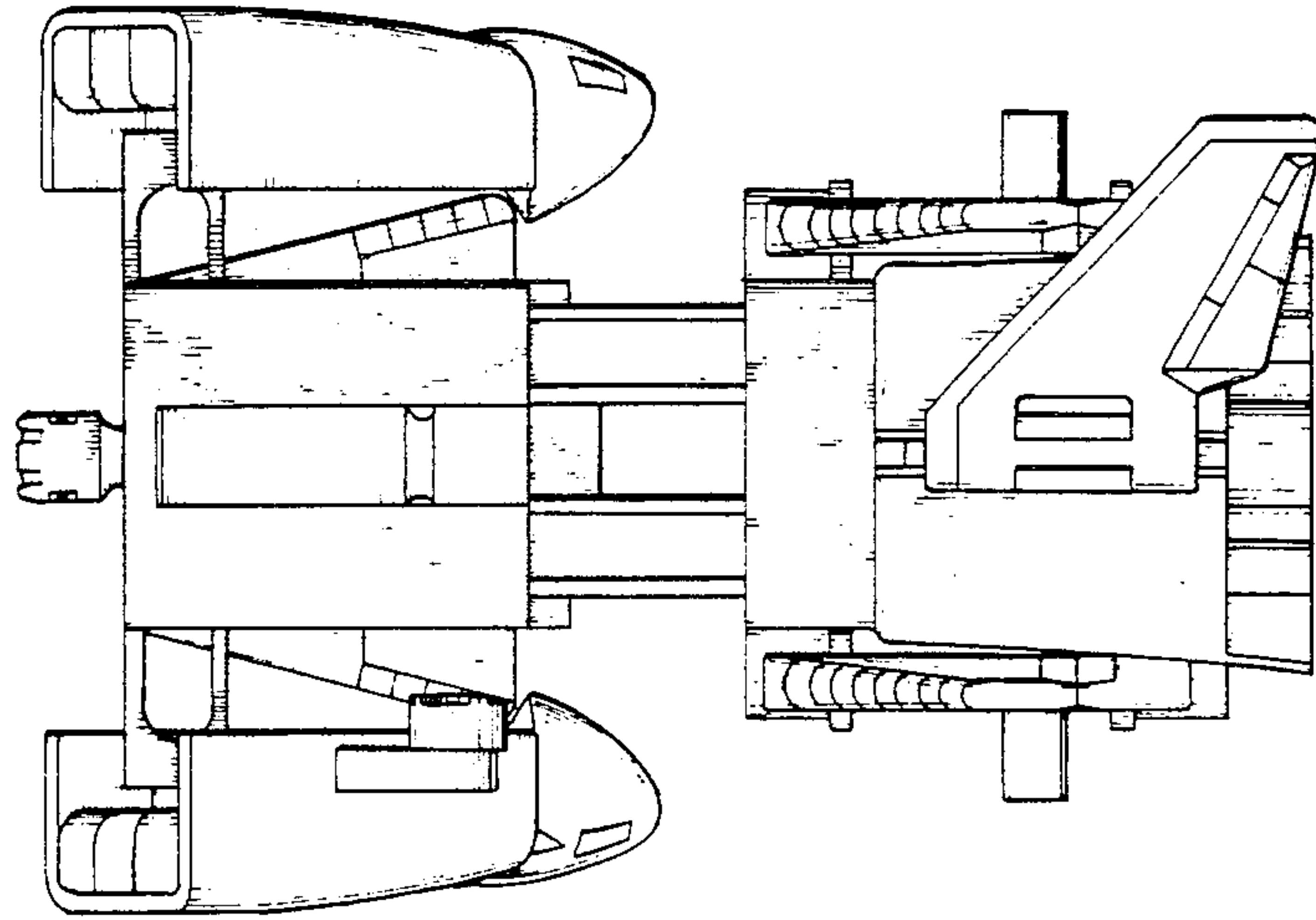


FIG.12

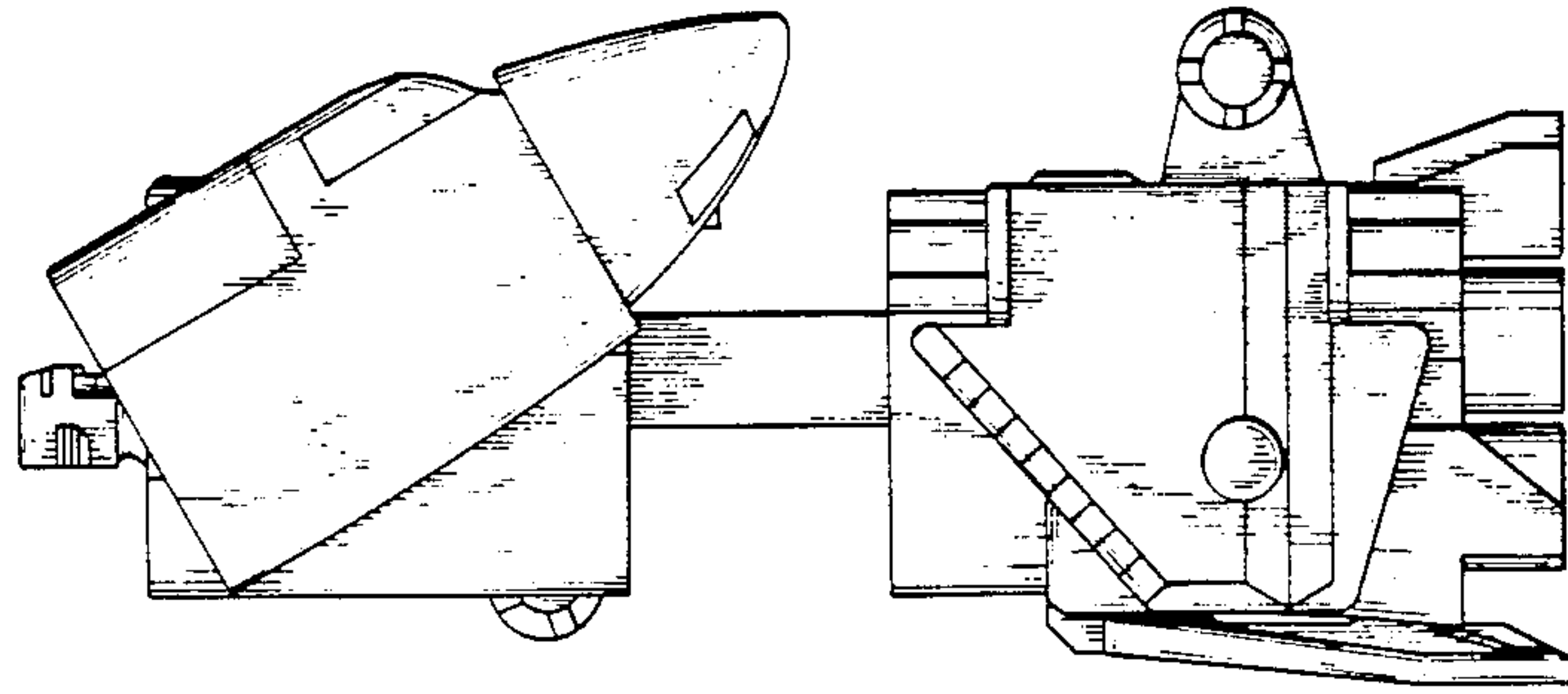


FIG.14

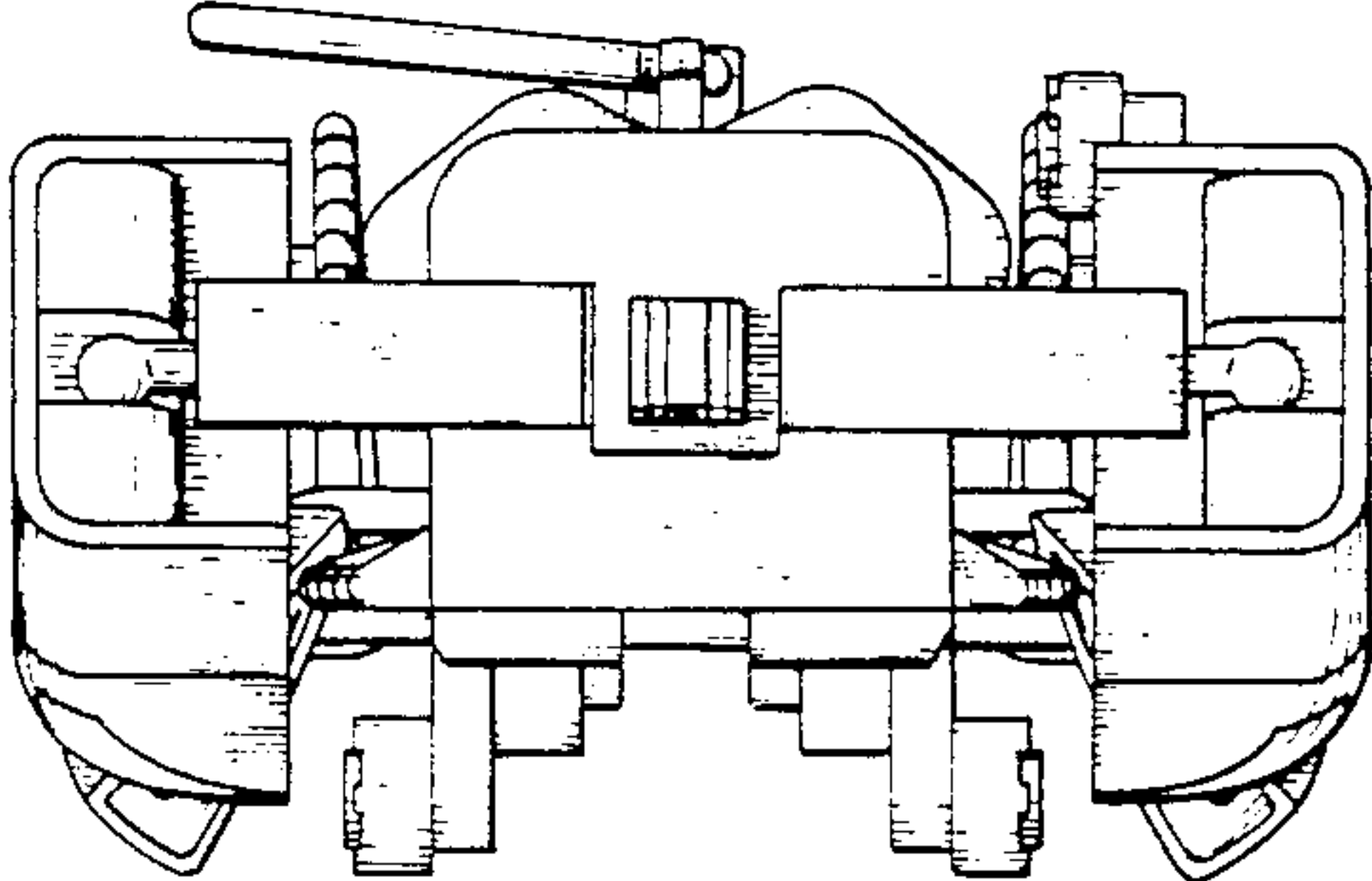


FIG.15

