

[54] RECONFIGURABLE TOY JET-PLANE

4,391,060 7/1983 Nakane 446/94

[75] Inventor: Takayoshi Doi, Ichikawa, Japan

Primary Examiner—Charles A. Rademaker
Attorney, Agent, or Firm—Price, Gess & Ubell

[73] Assignee: Takara Co., Ltd., Tokyo, Japan

[**] Term: 14 Years

[57] CLAIM

[21] Appl. No.: 749,194

The ornamental design for a reconfigurable toy jet-plane, substantially as shown and described.

[22] Filed: Jun. 26, 1985

DESCRIPTION

[30] Foreign Application Priority Data

Dec. 27, 1984 [JP] Japan 59-54520

[52] U.S. Cl. D21/87; D21/150;
D21/166

[58] Field of Search D21/59, 87, 91, 150,
D21/166; D12/319, 320, 343, 342; 446/94, 95,
487, 71, 72, 75-78

FIG. 1 is a front and side perspective view of a reconfigurable toy jet plane, showing my new design;

FIG. 2 is a front elevational view thereof;

FIG. 3 is a top plan view thereof;

FIG. 4 is a bottom plan view thereof;

FIG. 5 is a rear elevational view thereof;

FIG. 6 is a side elevational view thereof, the side opposite being a mirror image;

FIG. 7 is a front side perspective view of the toy reconfigured into a robotic-humanoid configuration;

FIG. 8 is a front elevational view thereof;

FIG. 9 is a top plan view thereof;

FIG. 10 is a bottom plan view thereof;

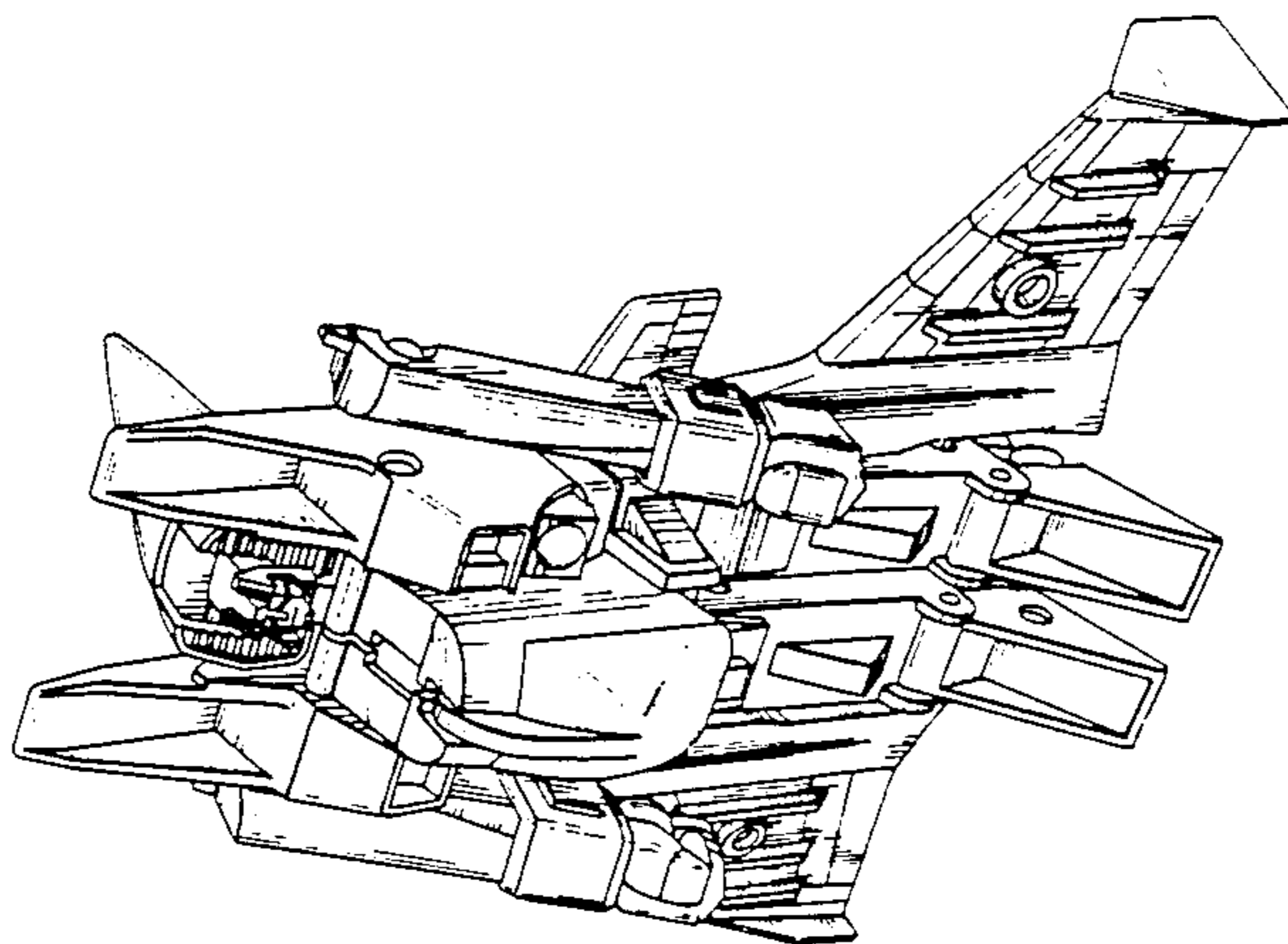
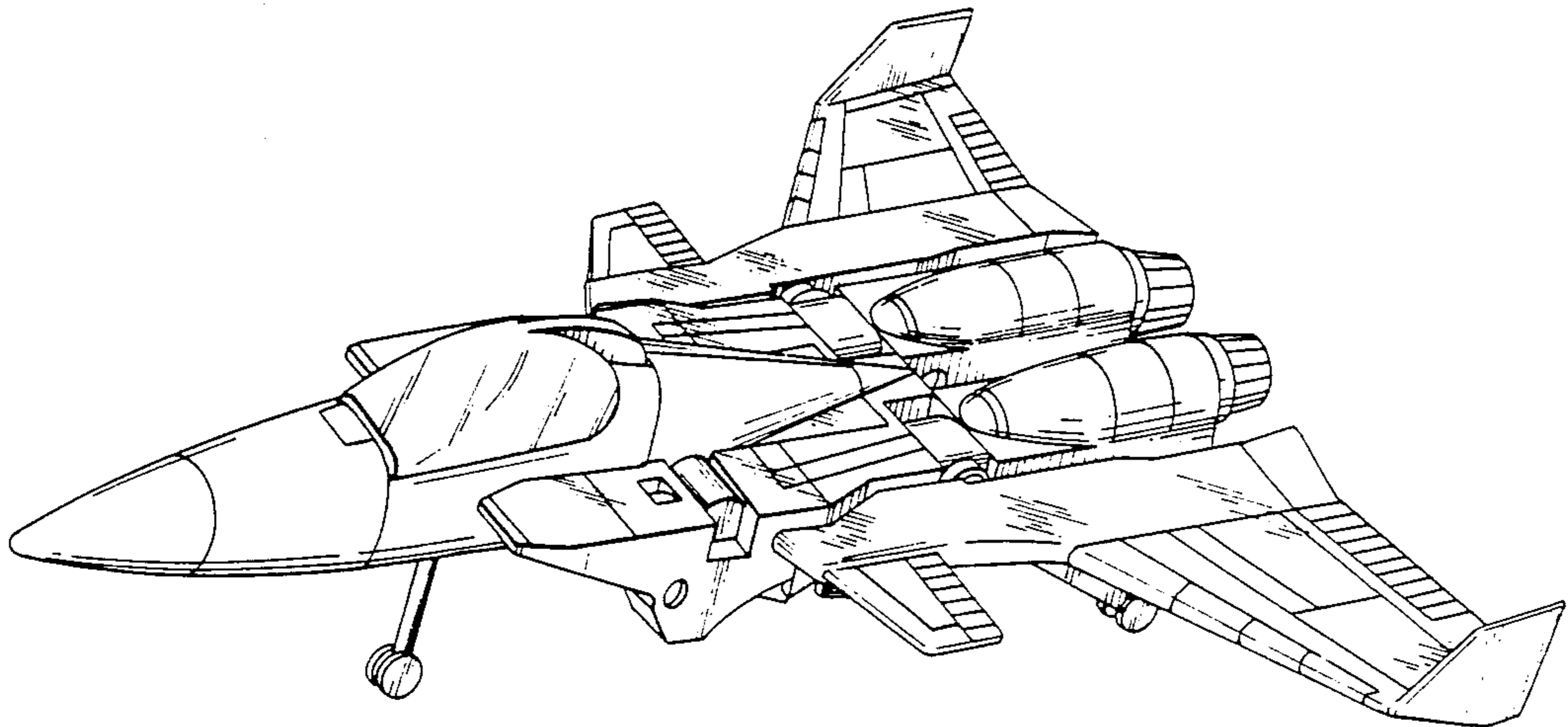
FIG. 11 is a rear elevational view thereof; and

FIG. 12 is a side elevational view thereof, the side opposite being a mirror image.

[56] References Cited

U.S. PATENT DOCUMENTS

D. 177,327	4/1956	Holtby et al.	D12/342
D. 256,905	9/1980	McComas et al.	D12/342
D. 278,643	4/1985	Ogawa	D21/166
D. 279,804	7/1985	Ohno	D21/166
D. 287,037	12/1986	Matsushiro	D21/87



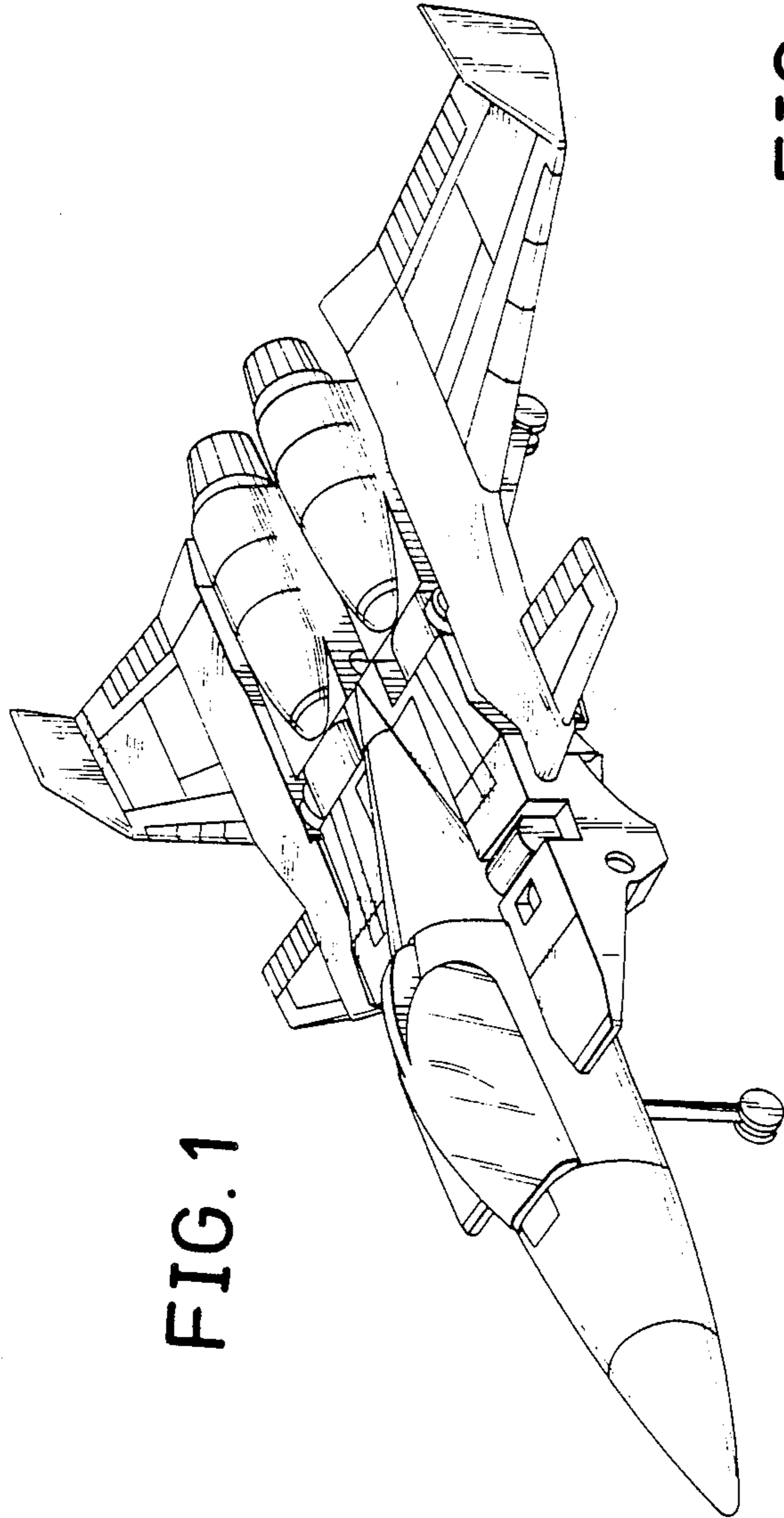


FIG. 1

FIG. 2

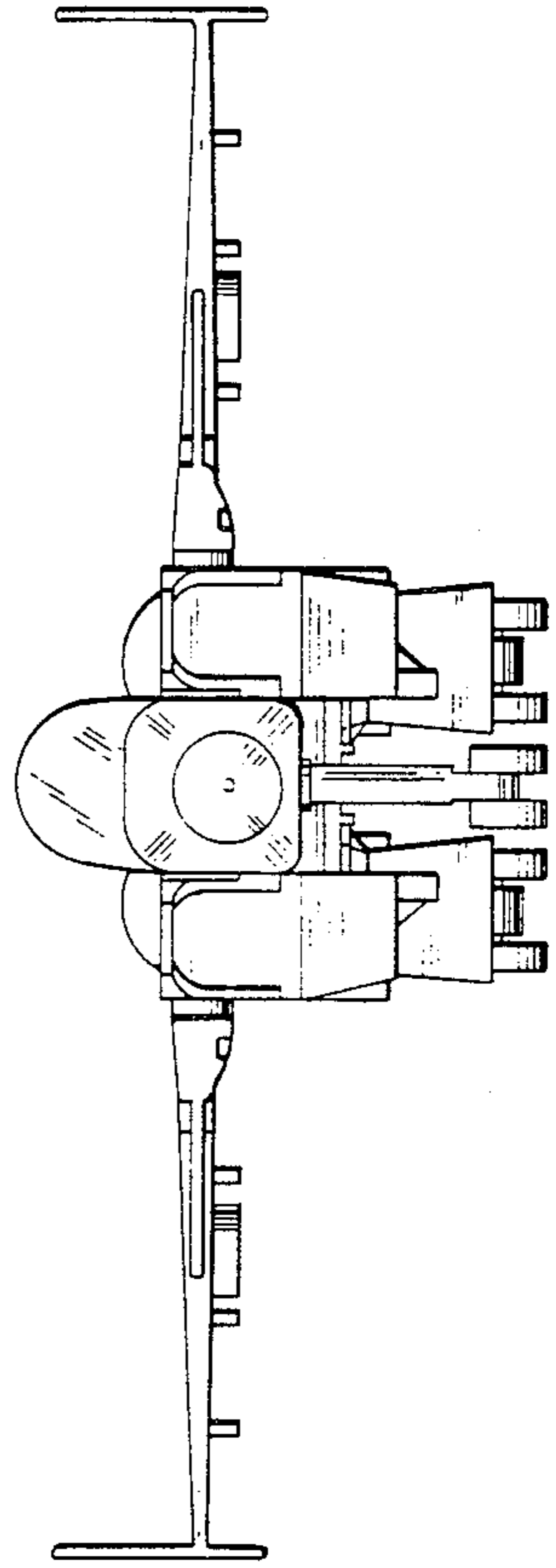


FIG. 3

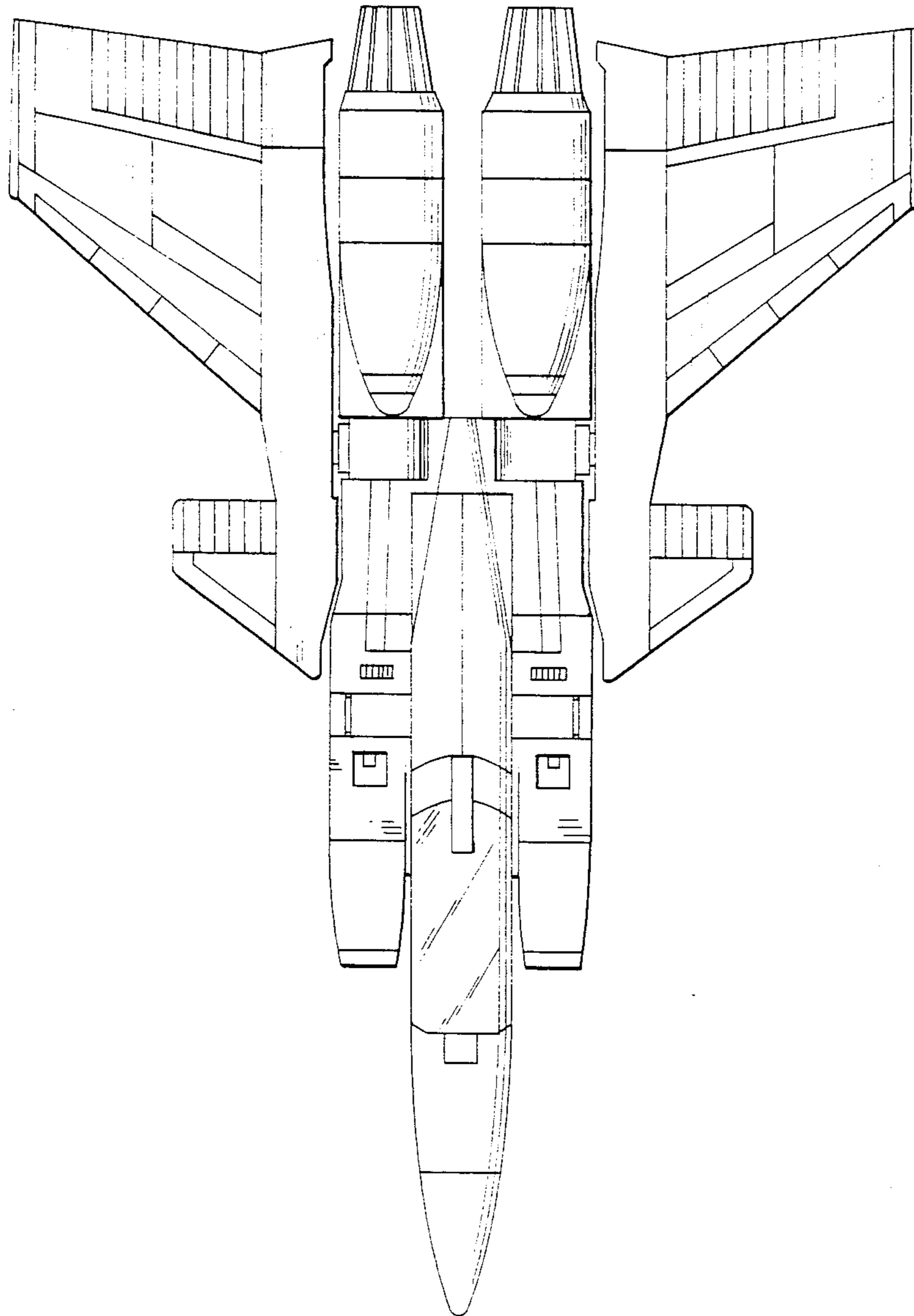


FIG. 4

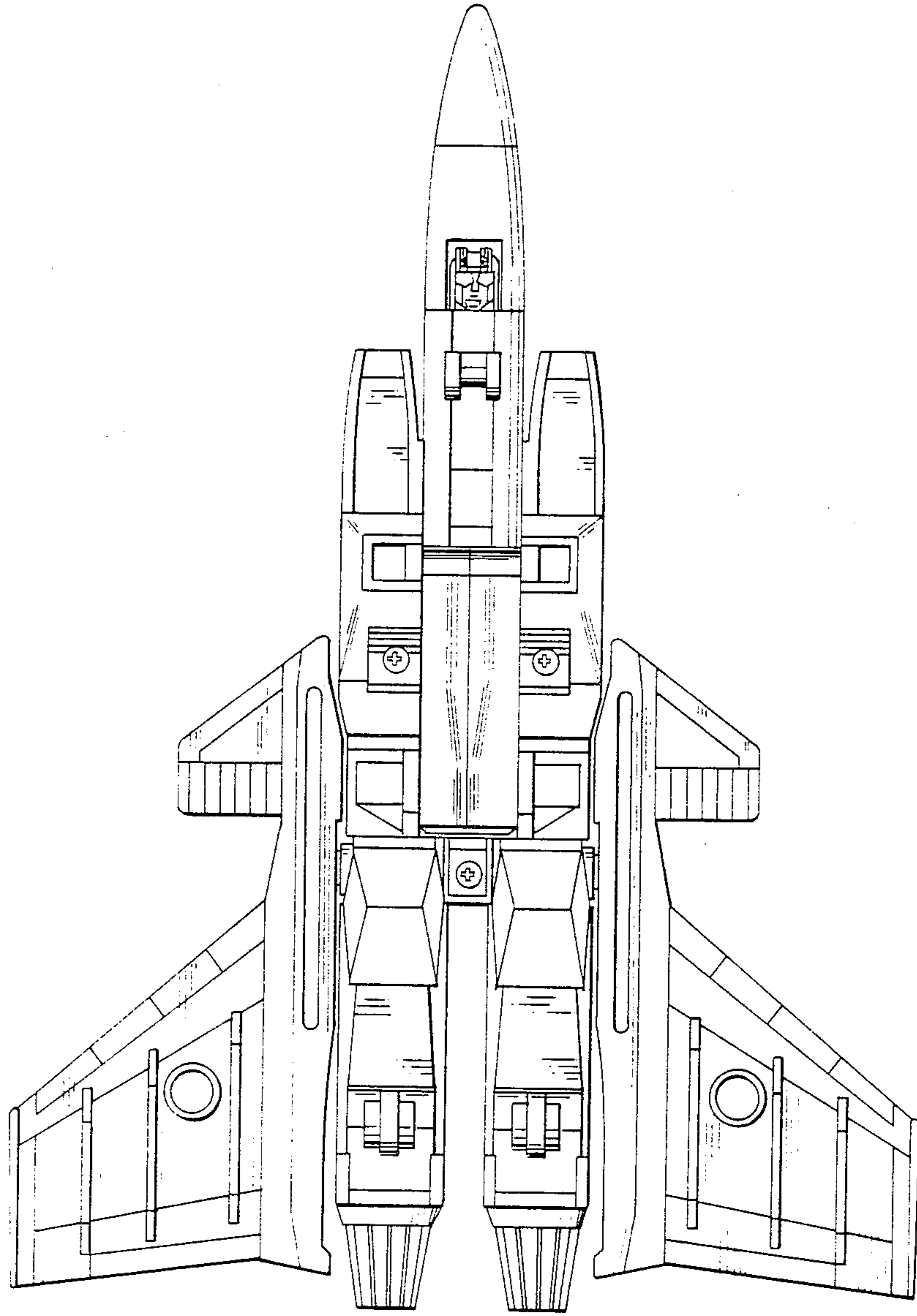


FIG. 5

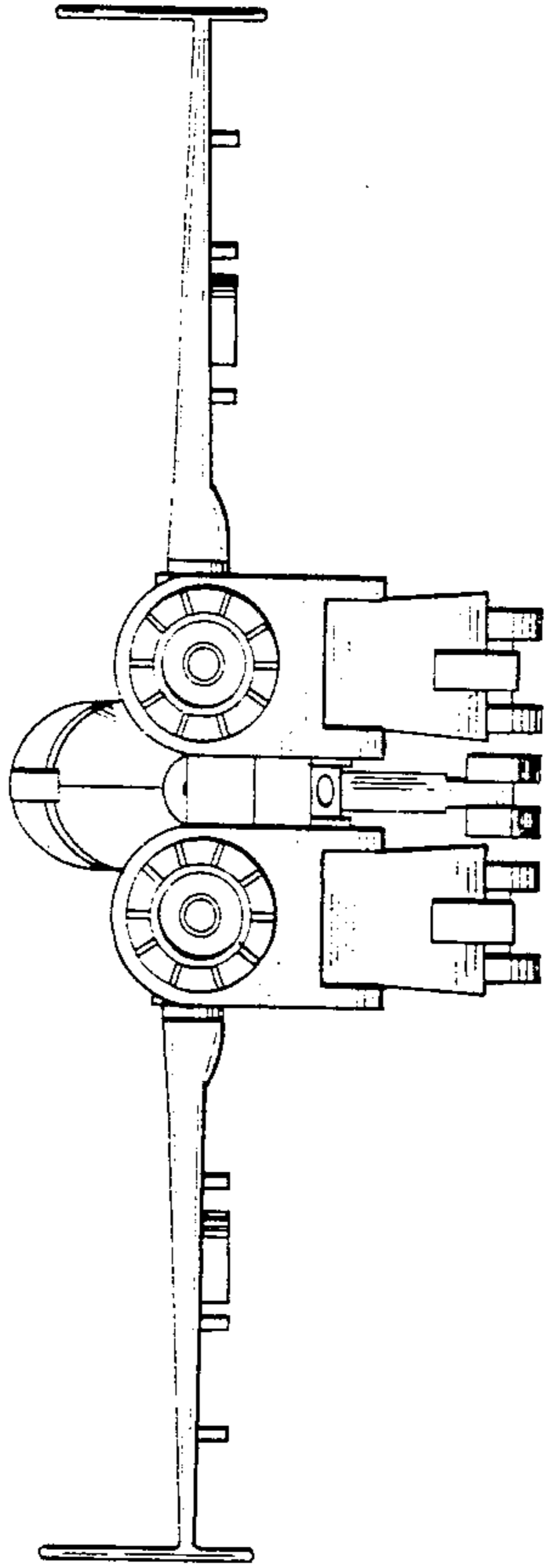
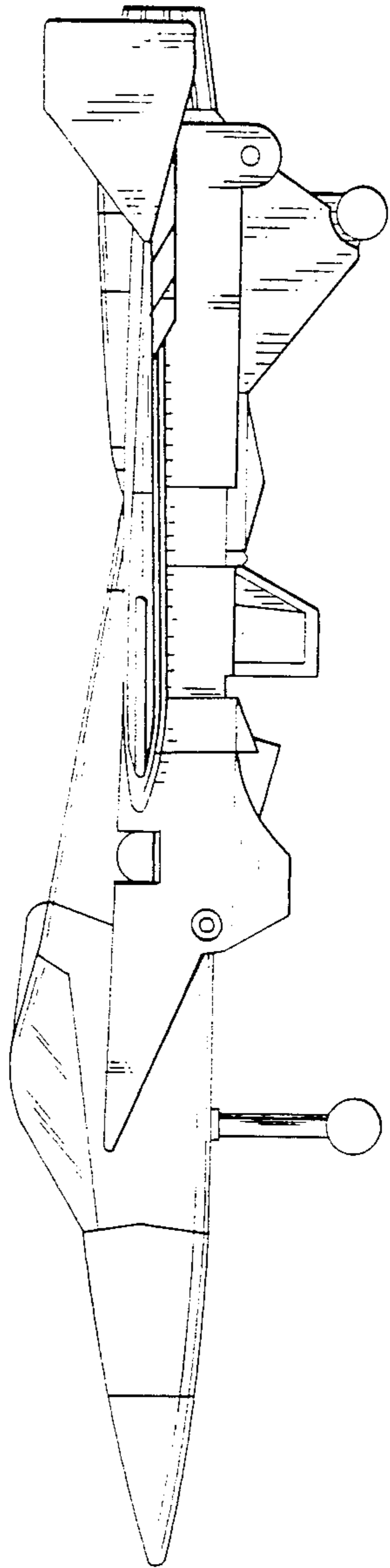


FIG. 6



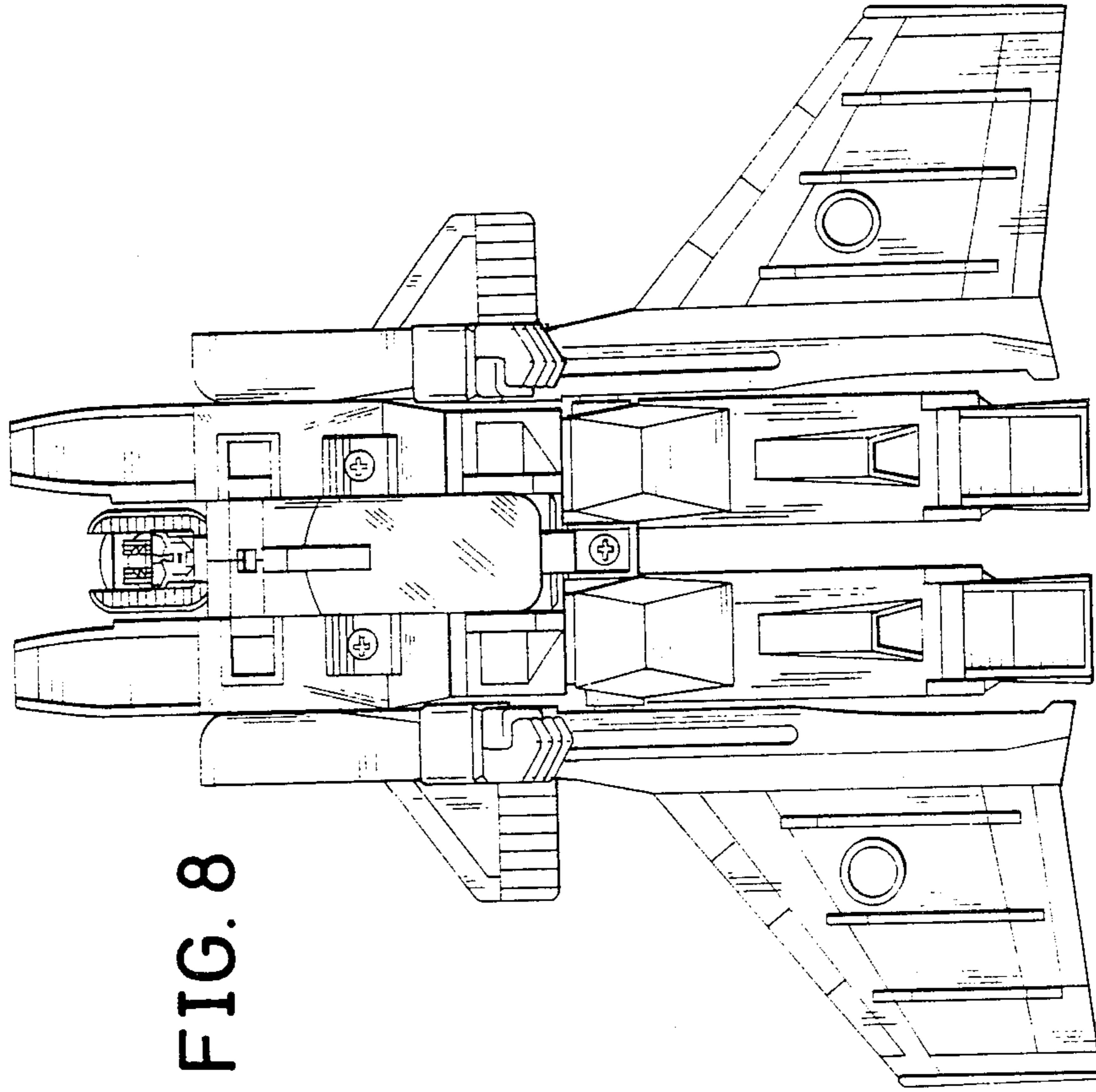


FIG. 8

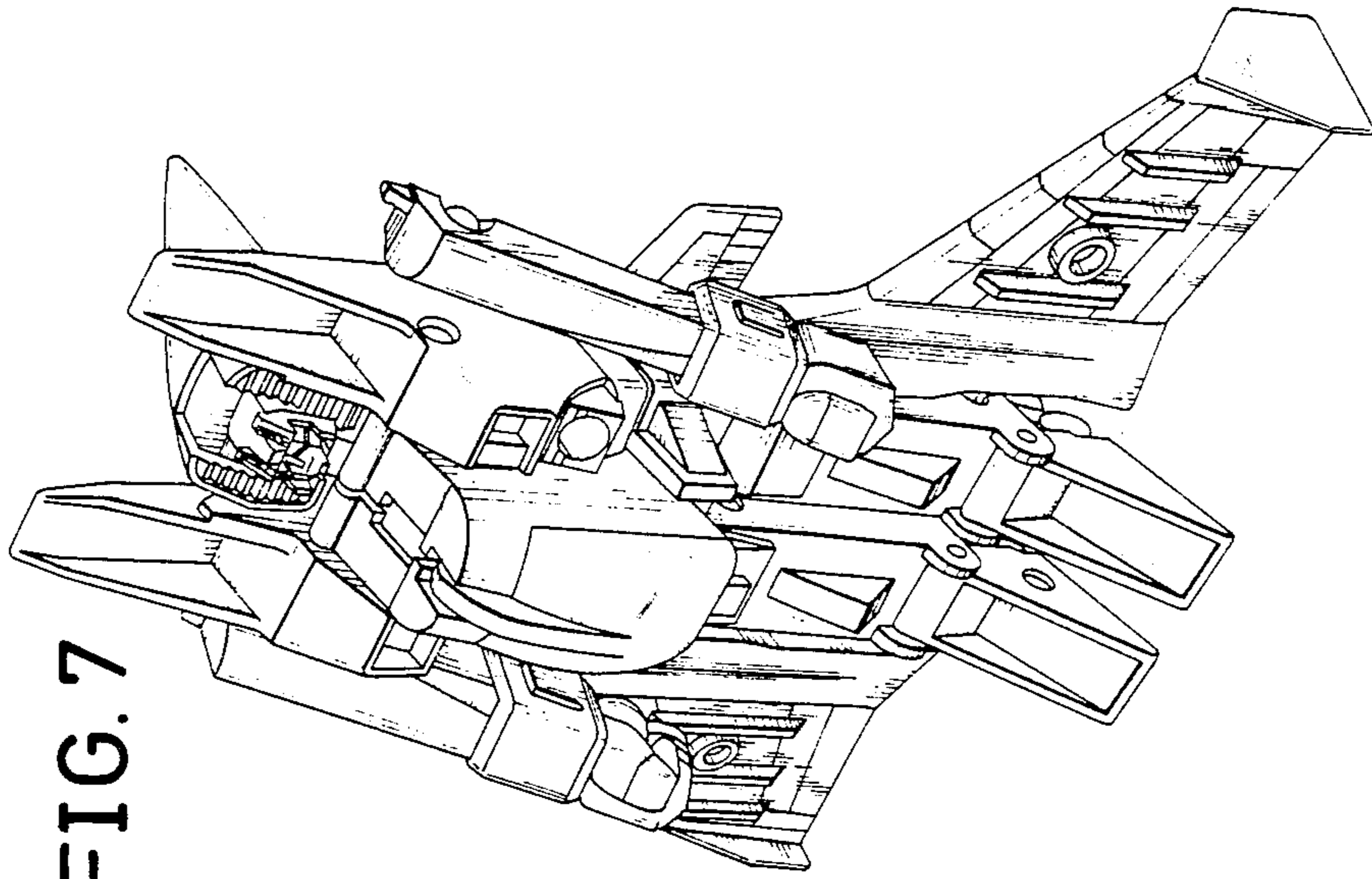


FIG. 7

FIG. 9

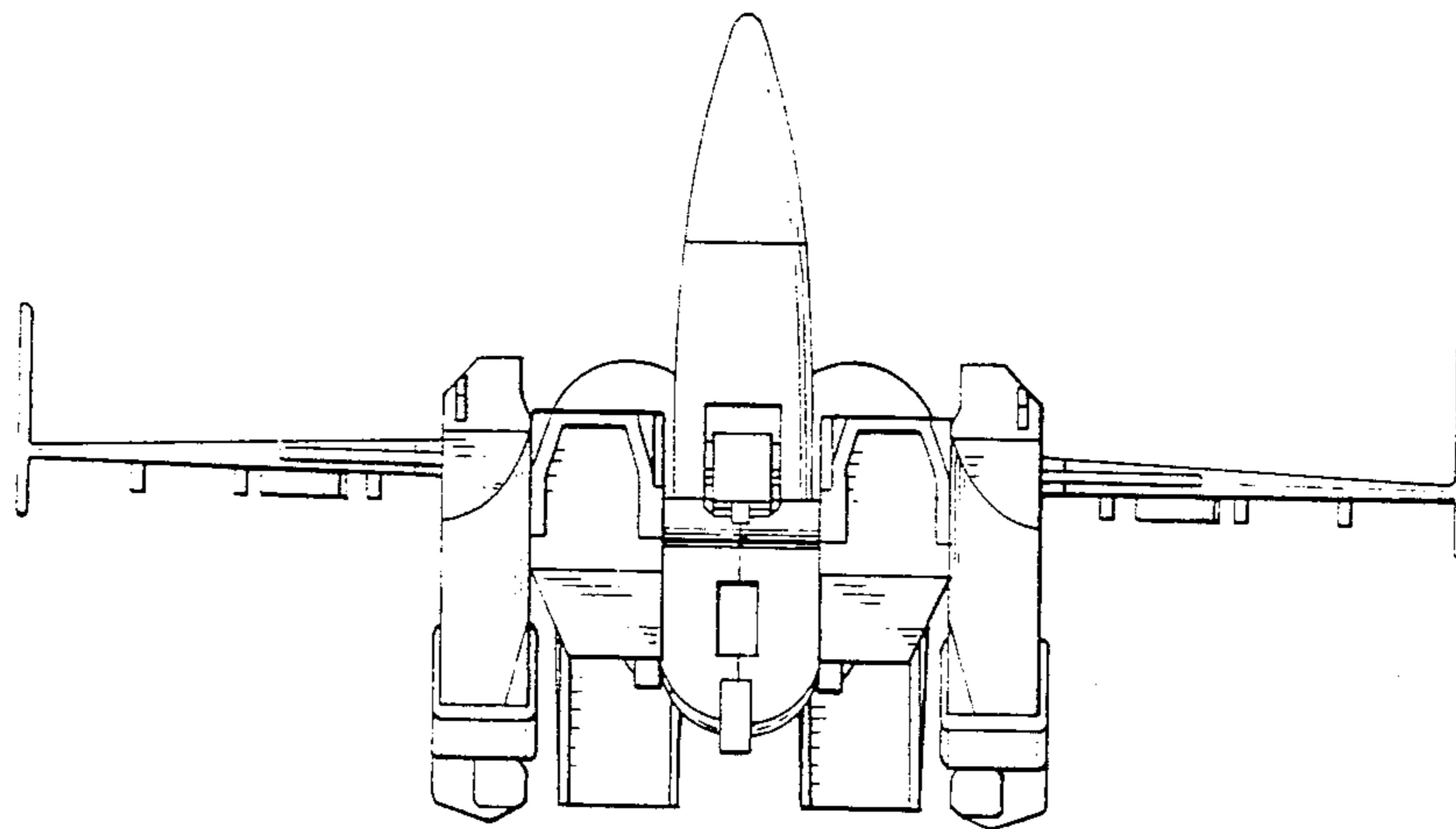


FIG. 10

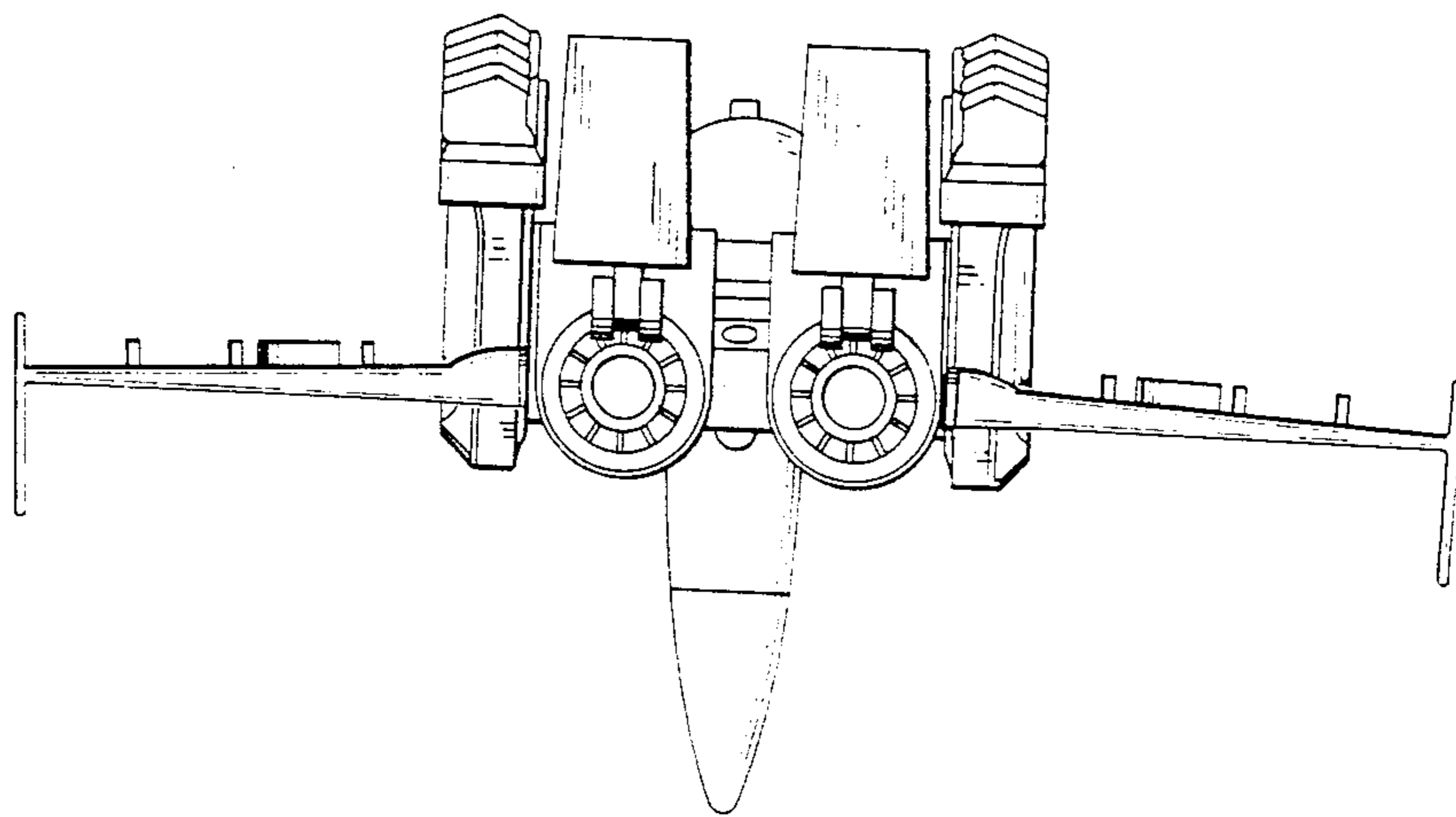


FIG.12

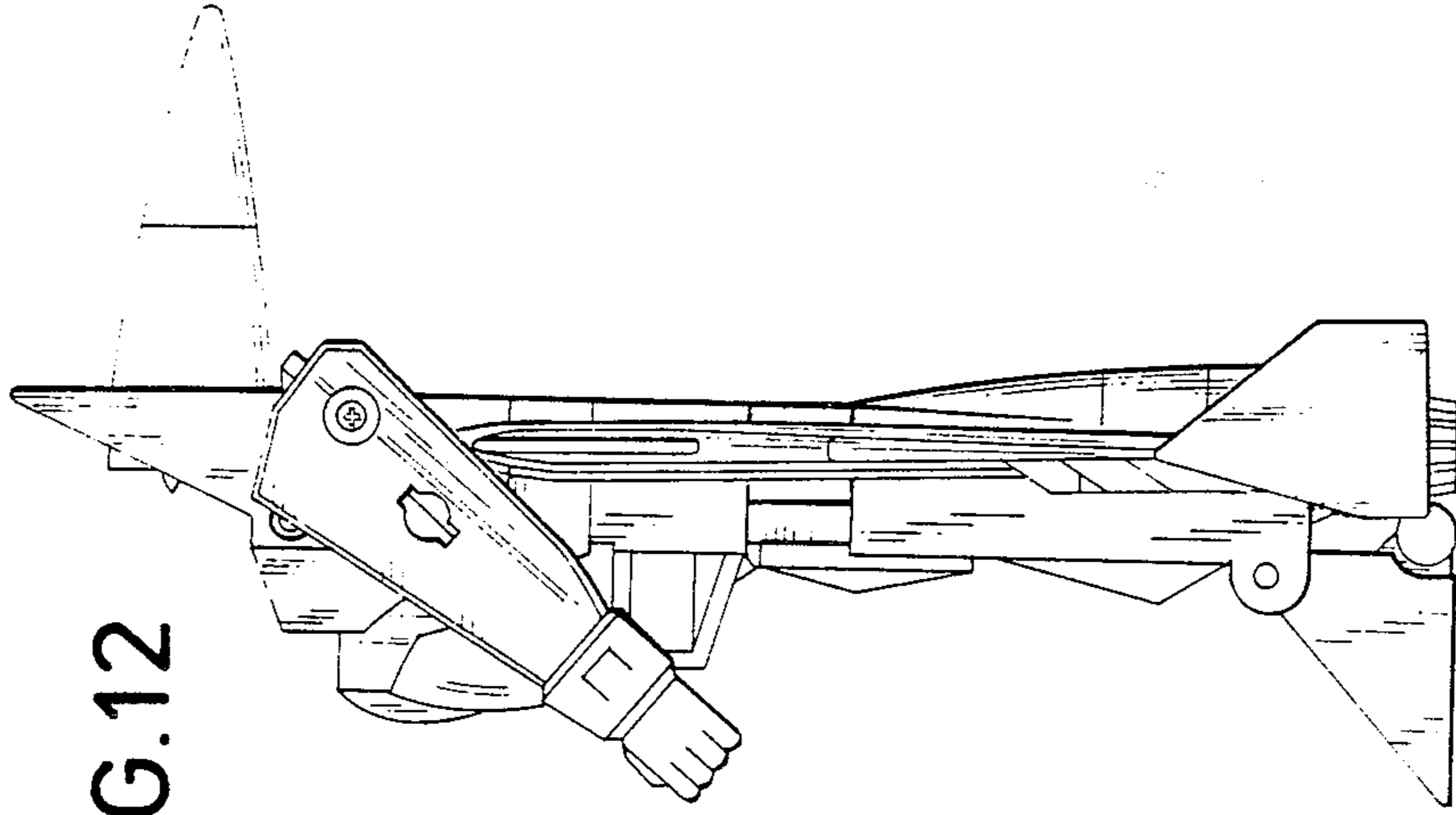


FIG.11

