

[54] RECONFIGURABLE TOY JET-PLANE  
 [75] Inventor: Takayoshi Doi, Ichikawa, Japan  
 [73] Assignee: Takara Co., Ltd., Tokyo, Japan  
 [\*\*] Term: 14 Years  
 [21] Appl. No.: 749,192  
 [22] Filed: Jun. 26, 1985

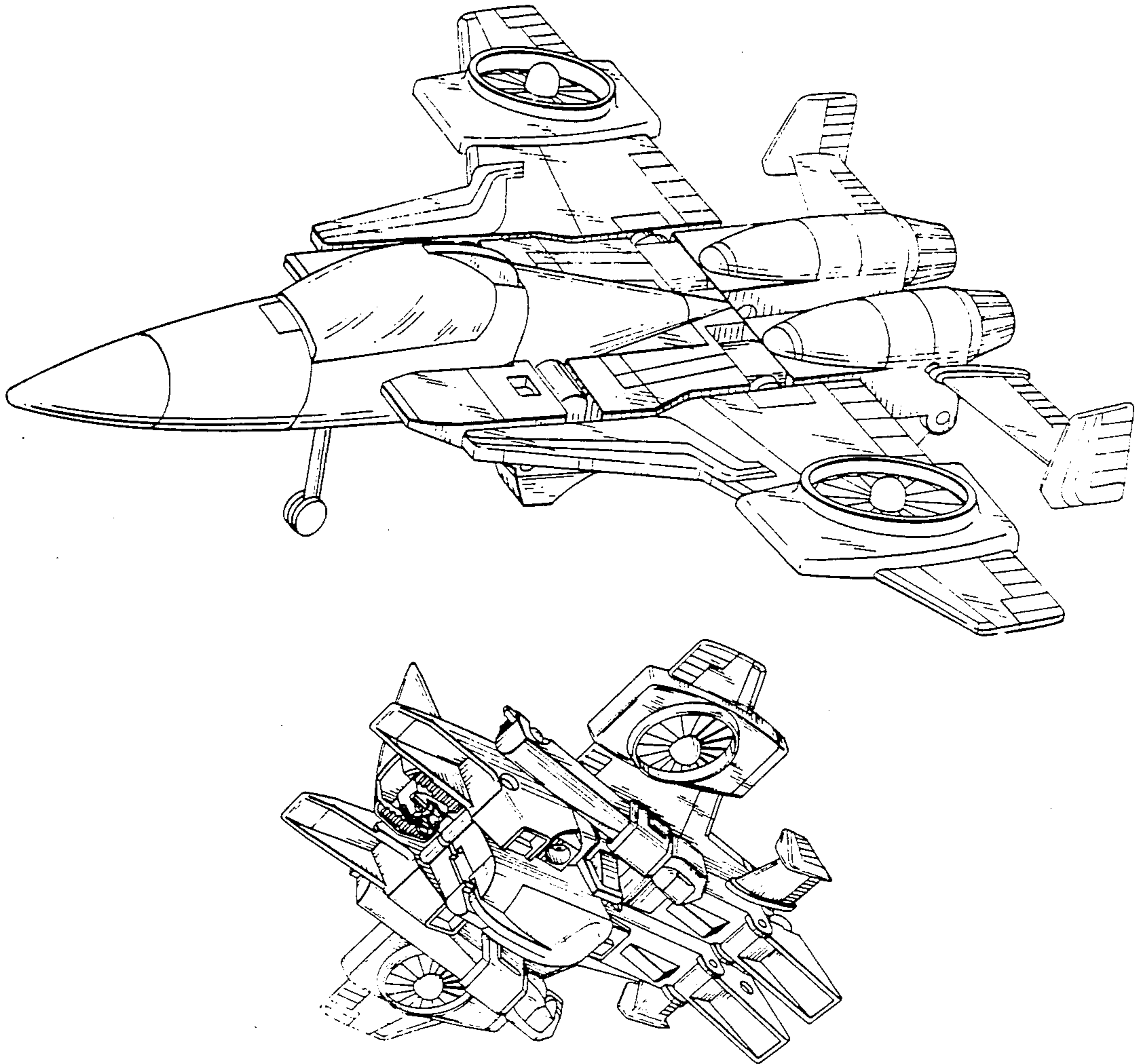
[30] Foreign Application Priority Data  
 Dec. 27, 1984 [JP] Japan ..... 59-54521  
 [52] U.S. Cl. .... D21/87; D21/150;  
 D21/166  
 [58] Field of Search ..... D21/59, 87, 91, 150,  
 D21/166; D12/319, 320, 343, 342; 446/94, 95,  
 487, 71, 72, 75-77, 78

[56] References Cited  
 U.S. PATENT DOCUMENTS  
 D. 204,108 3/1966 Peterson ..... D12/342  
 D. 278,643 4/1985 Ogawa ..... D21/87  
 D. 279,804 7/1985 Ohno ..... D21/87  
 D. 290,484 6/1987 Yoke ..... D21/166  
 4,411,097 10/1983 Murakami ..... 446/487

Primary Examiner—Charles A. Rademaker  
 Attorney, Agent, or Firm—Price, Gess & Ubell

[57] CLAIM  
 The ornamental design for a reconfigurable toy jet-plane, substantially as shown and described.

DESCRIPTION  
 FIG. 1 is a front and side perspective view of a reconfigurable toy jet plane, showing my new design;  
 FIG. 2 is a front elevational view thereof;  
 FIG. 3 is a top plan view thereof;  
 FIG. 4 is a bottom plan view thereof;  
 FIG. 5 is a rear elevational view thereof;  
 FIG. 6 is a side elevational view thereof, the side opposite being a mirror image;  
 FIG. 7 is a front and side perspective view of the design shown in FIGS. 1 through 6 reconfigured in a robotic-humanoid configuration;  
 FIG. 8 is a front elevational view thereof;  
 FIG. 9 is a top plan view thereof;  
 FIG. 10 is a bottom plan view thereof;  
 FIG. 11 is a rear elevational view thereof; and  
 FIG. 12 is a side elevational view thereof, the side opposite being a mirror image.



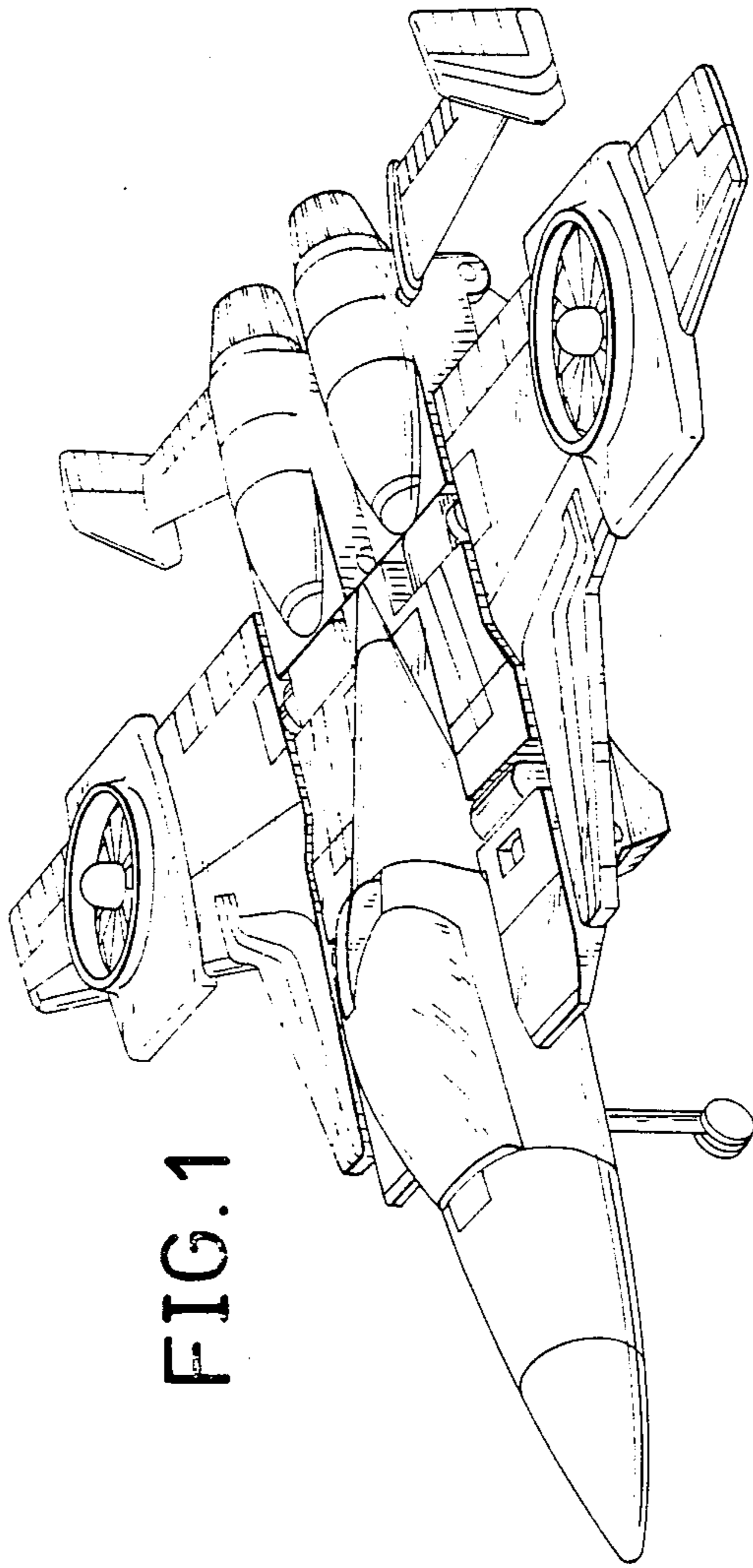


FIG. 1

FIG. 2

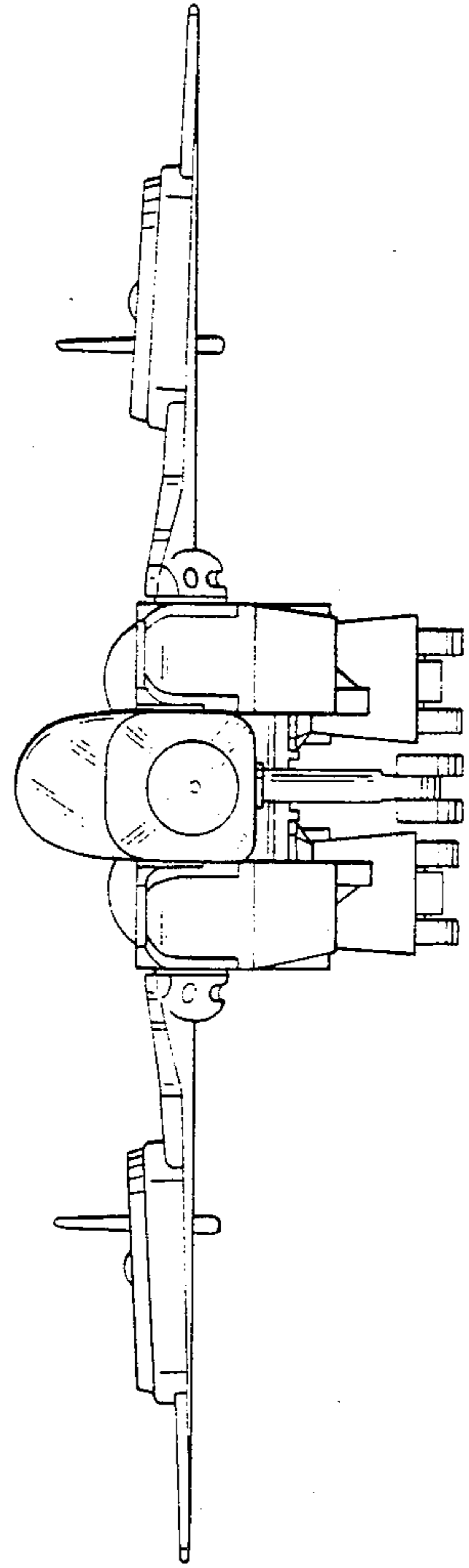


FIG. 3

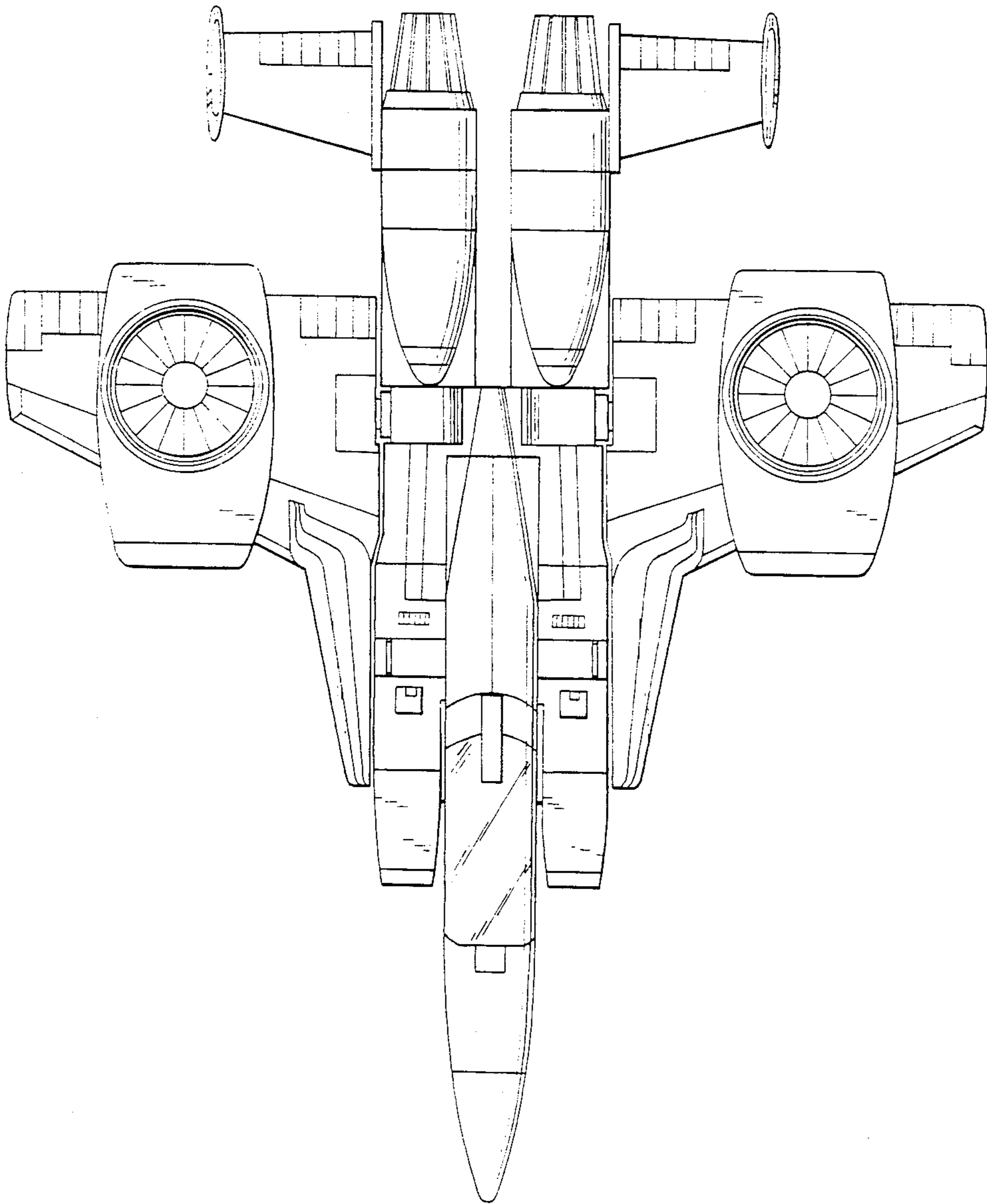


FIG. 4

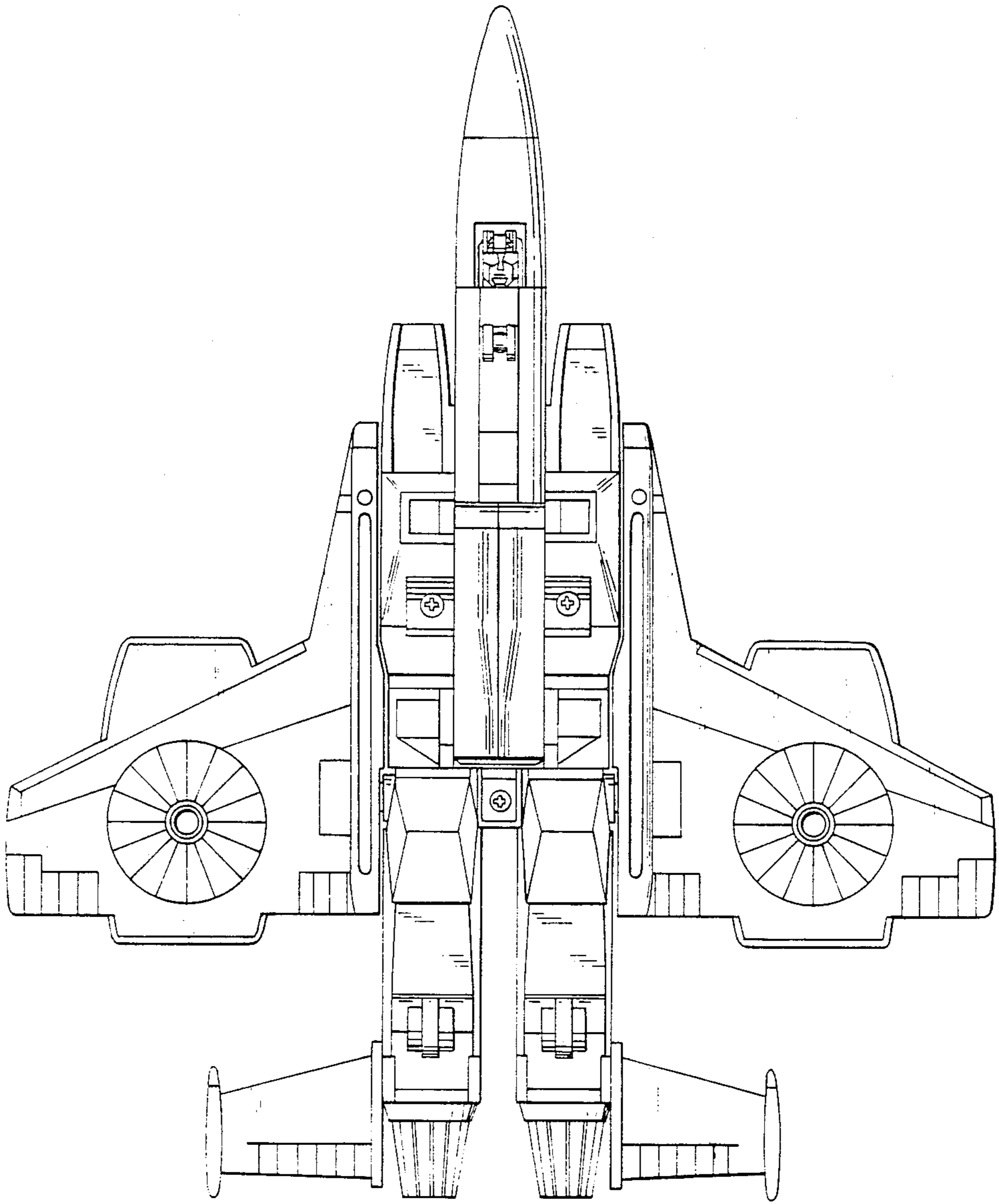




FIG. 5

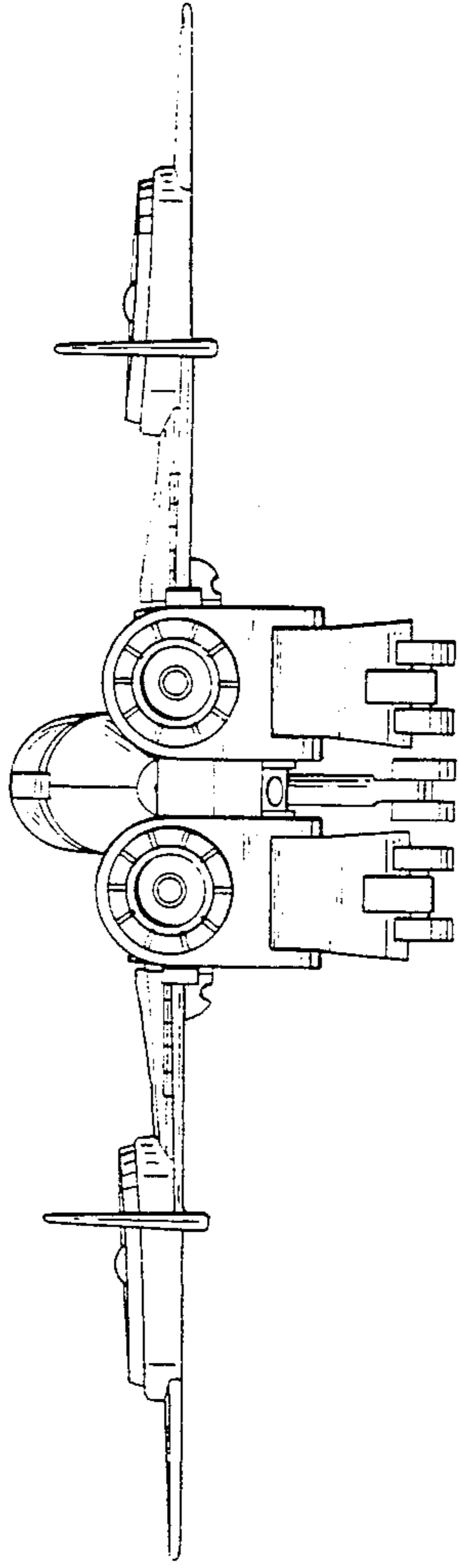


FIG. 6

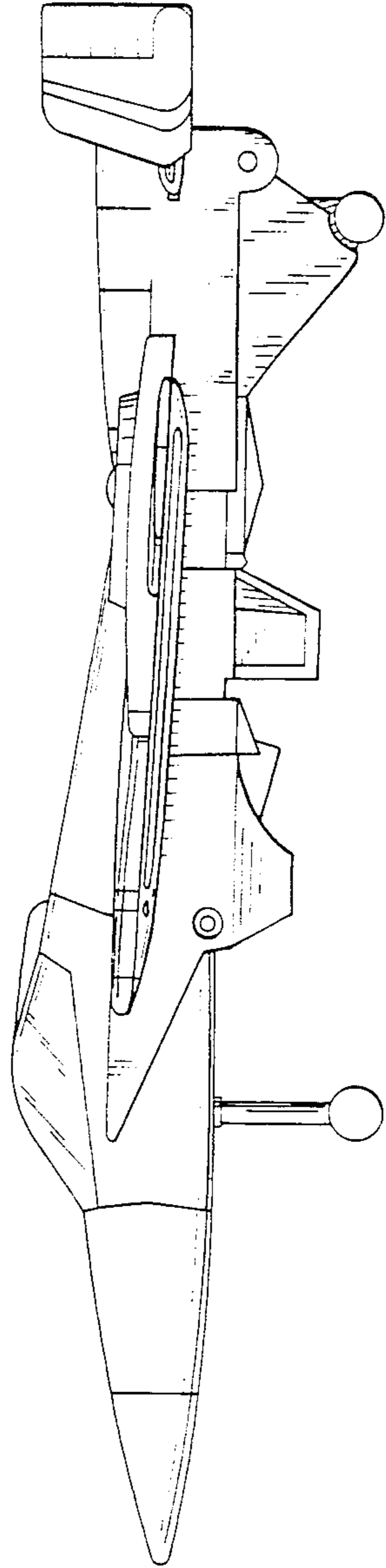


FIG. 7

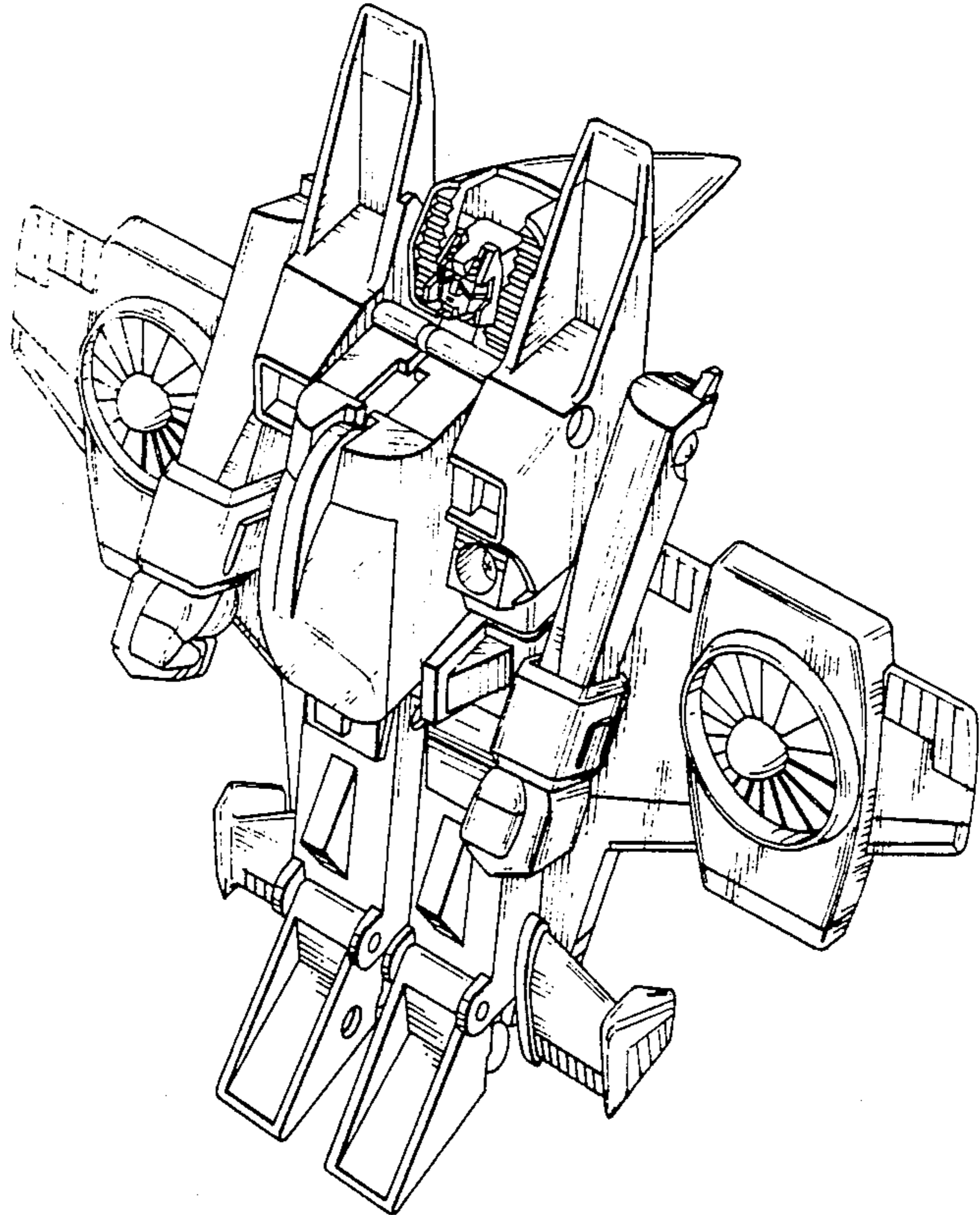


FIG. 8

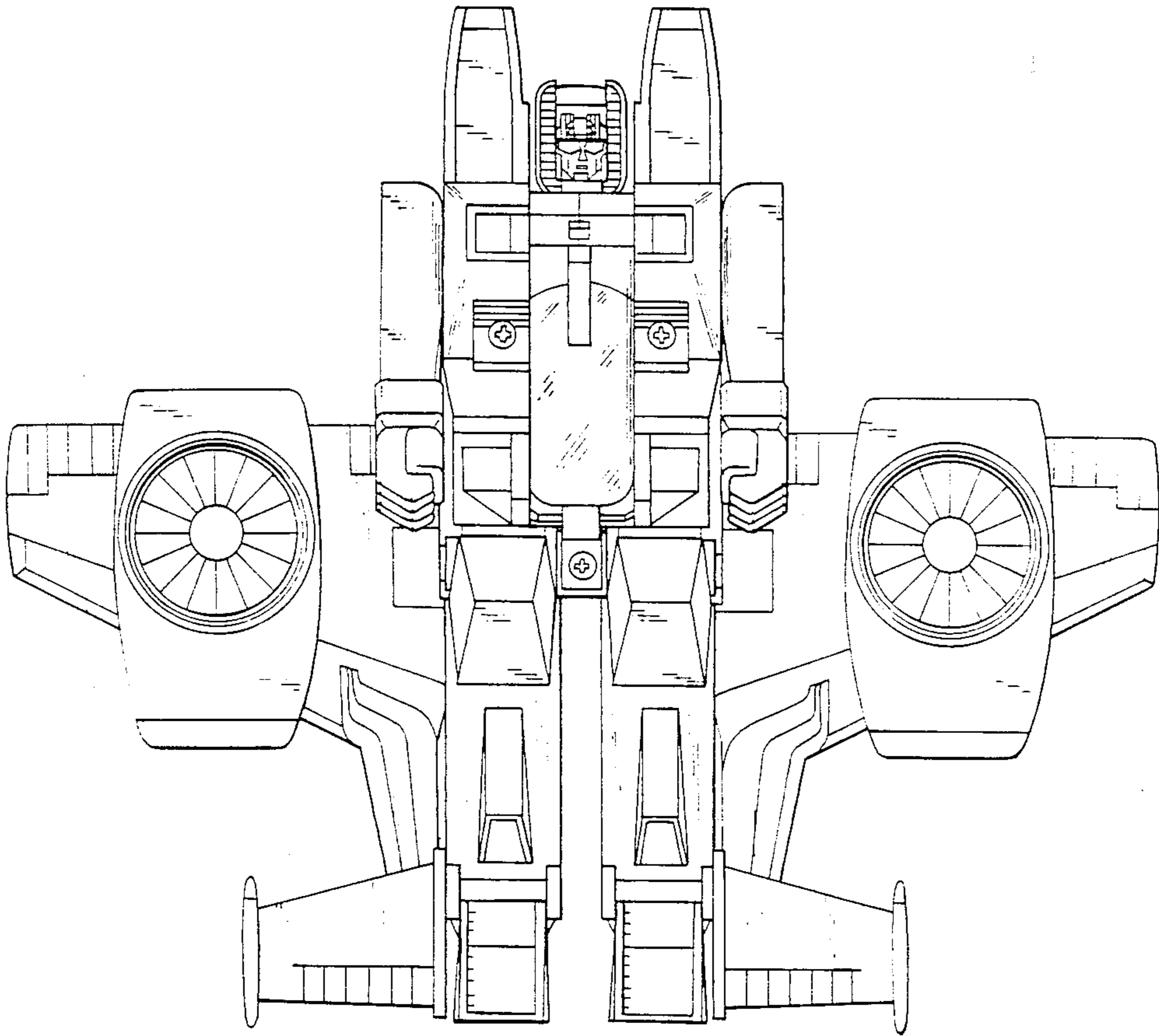


FIG.9

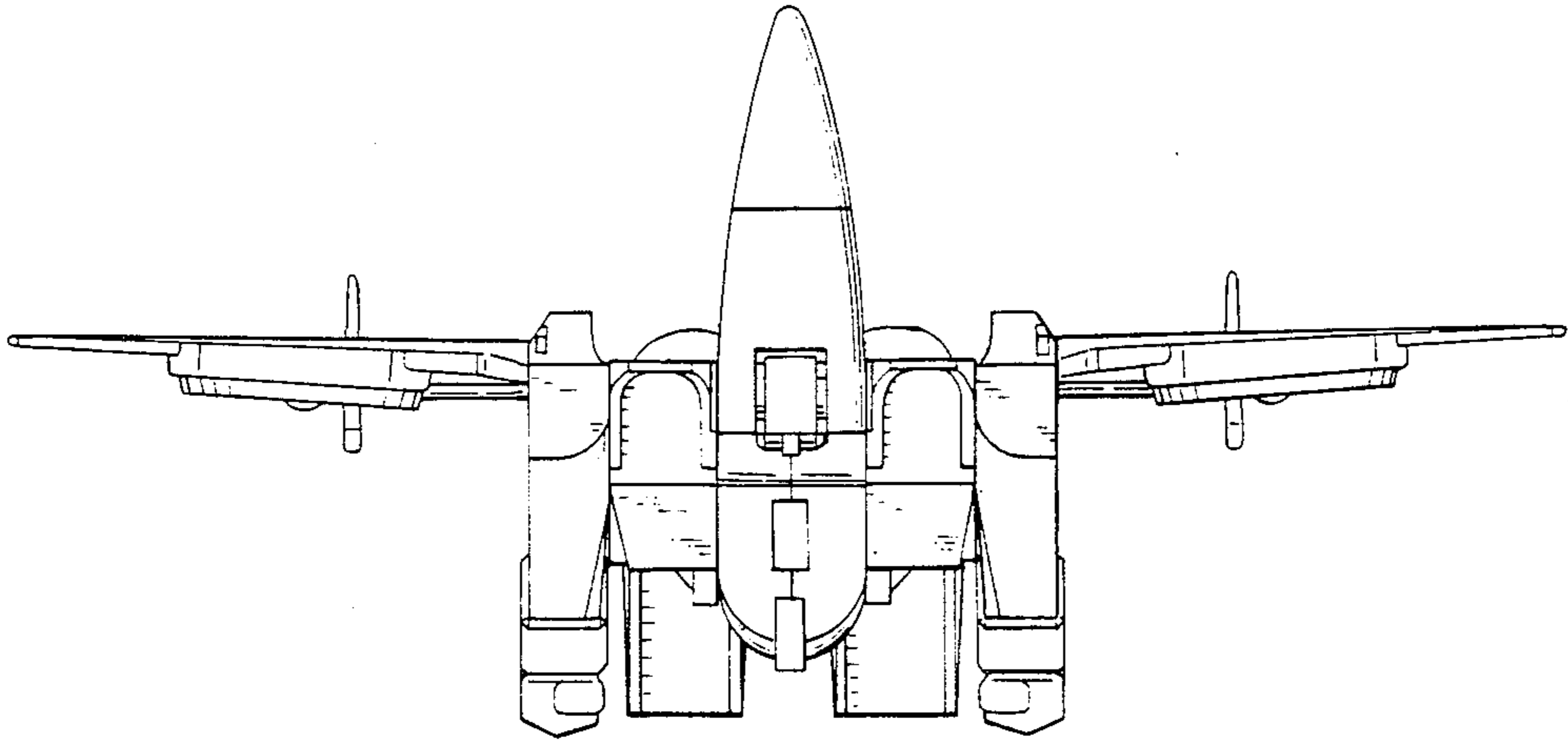


FIG.10

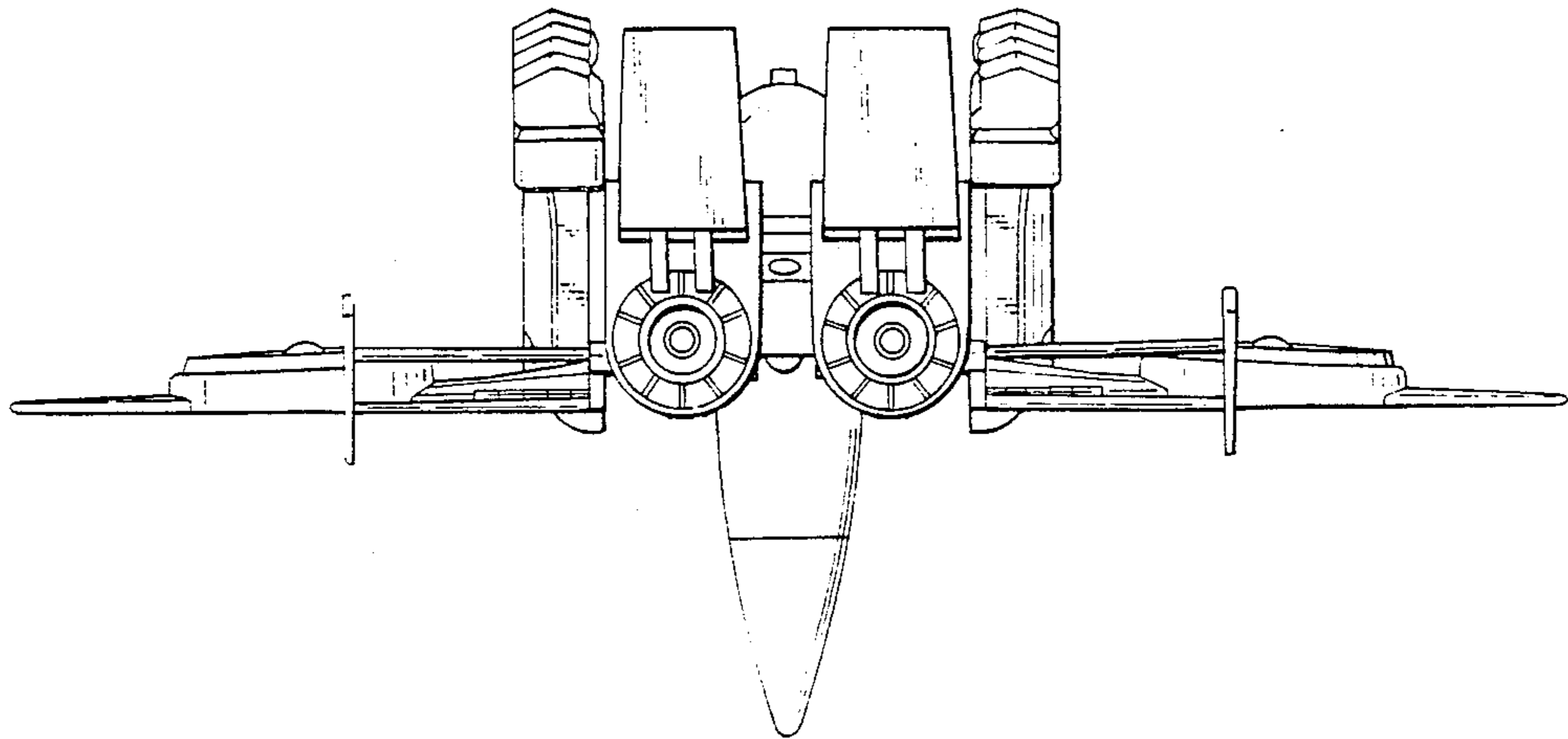




FIG.12

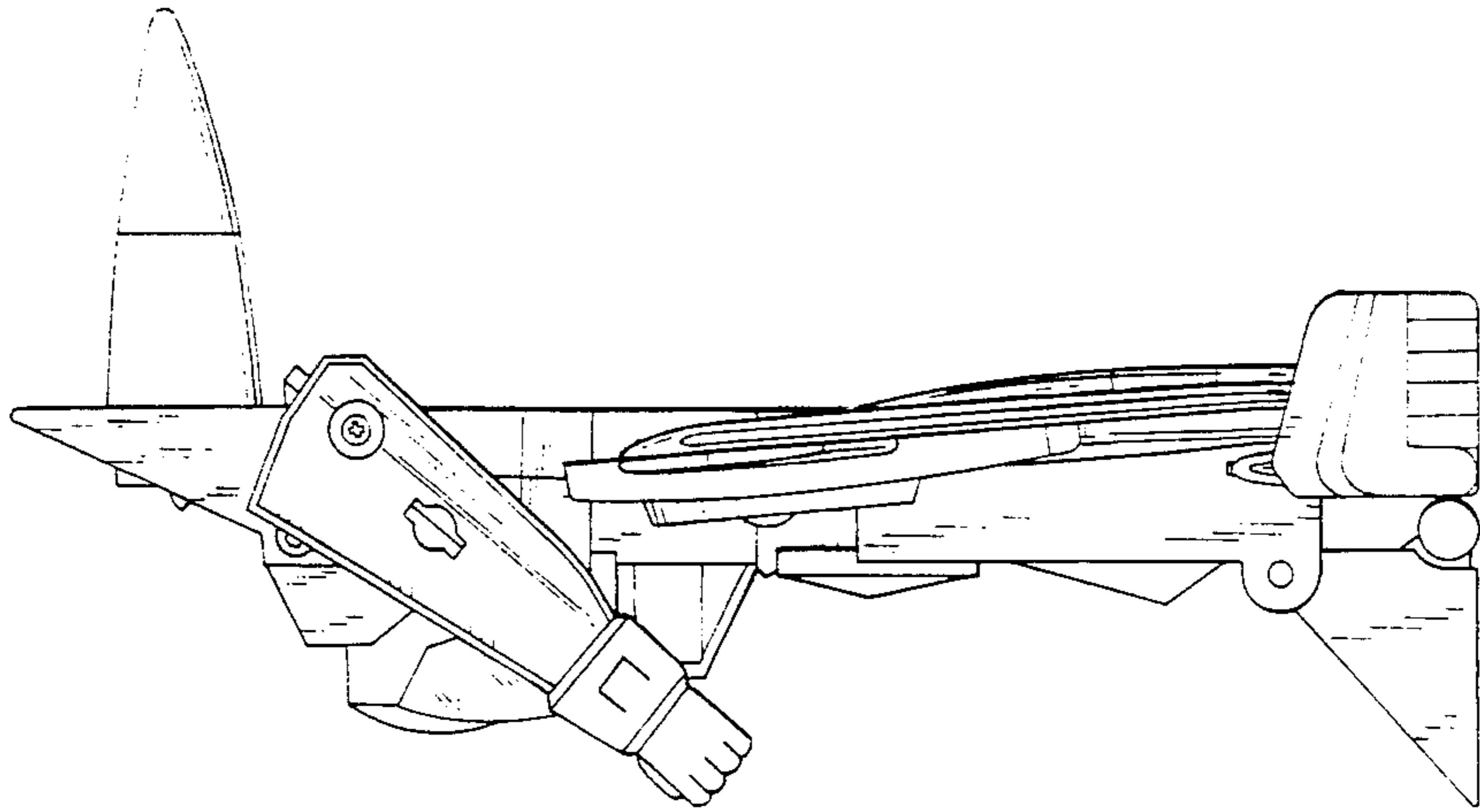


FIG.11

