

# United States Patent [19]

Johnson, Jr.

[11] Patent Number: Des. 293,801

[45] Date of Patent: \*\* Jan. 19, 1988

[54] TMS ELECTRICAL GUITAR

[76] Inventor: Frederick C. Johnson, Jr., 10550  
Pepper Brook La., San Diego, Calif.  
92131

[\*\*] Term: 14 Years

[21] Appl. No.: 778,062

[22] Filed: Sep. 20, 1985

[52] U.S. Cl. .... D17/18; 84/291

[58] Field of Search ..... D17/14-21,  
D17/99; 84/1.16, 267, 291, 293

[56] References Cited

U.S. PATENT DOCUMENTS

D. 206,554 12/1966 Smith ..... D17/14  
D. 254,011 1/1980 Cohen ..... D17/14

D. 282,851 3/1986 Tornese ..... D17/18  
3,769,871 11/1973 Cawthorn ..... 84/267 X

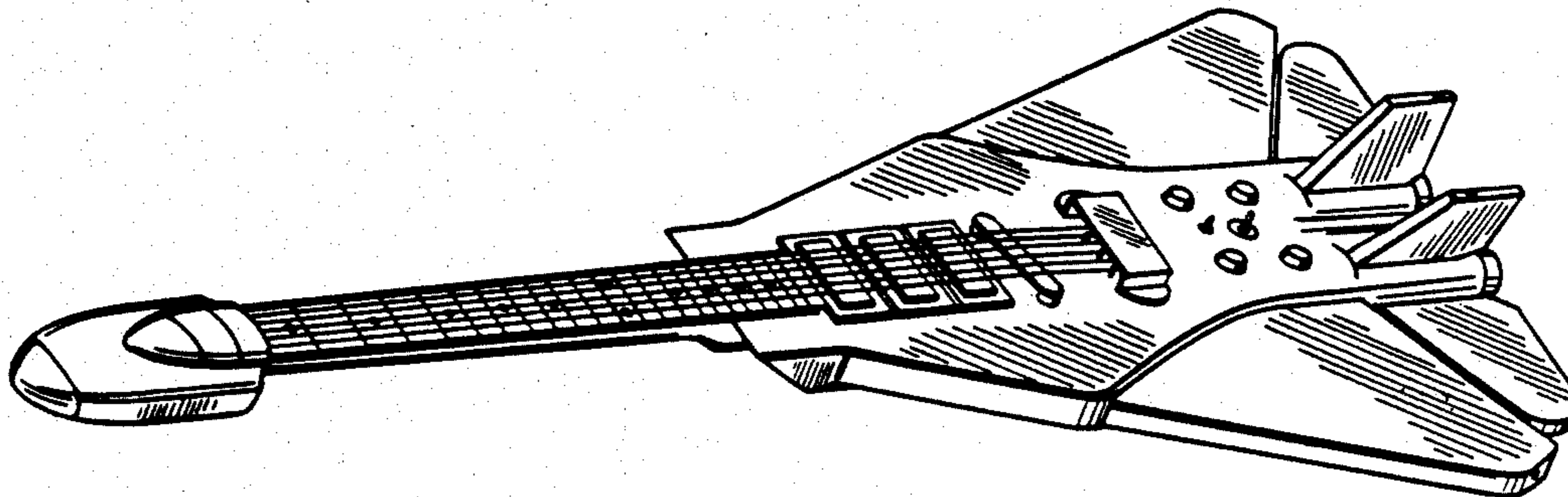
Primary Examiner—Bernard Ansher  
Assistant Examiner—Theodore M. Shooman  
Attorney, Agent, or Firm—Brown, Martin Haller &  
Meador

[57] CLAIM

The ornamental design for an TMS electrical guitar, as shown.

DESCRIPTION

FIG. 1 is a top, front and right side perspective view of an TMS electrical guitar showing my new design; FIG. 2 is a rear elevational view thereof; FIG. 3 is a bottom plan view thereof; FIG. 4 is a left side elevational view thereof; and FIG. 5 is a front elevational view thereof.



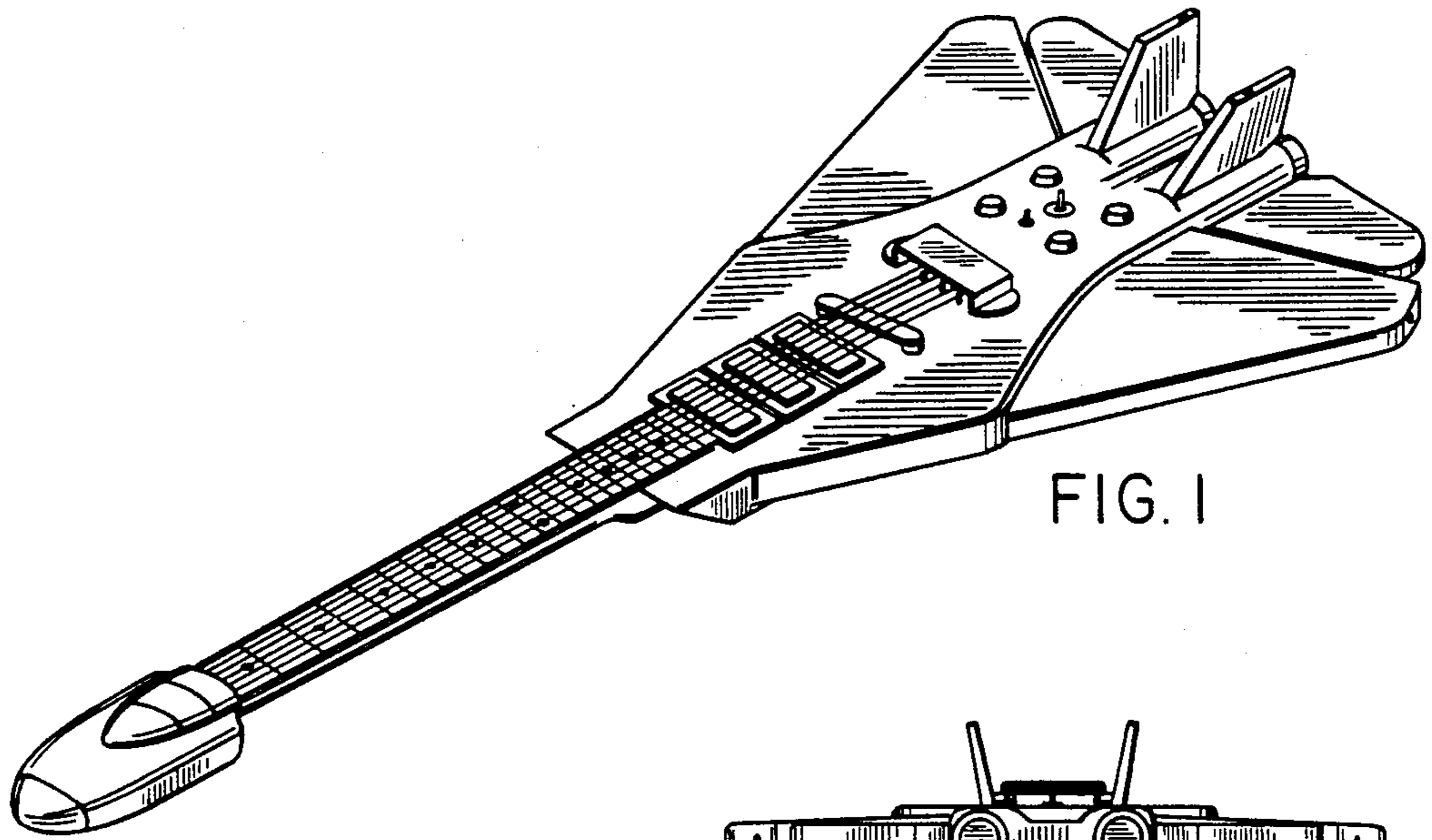


FIG. 1



FIG. 2

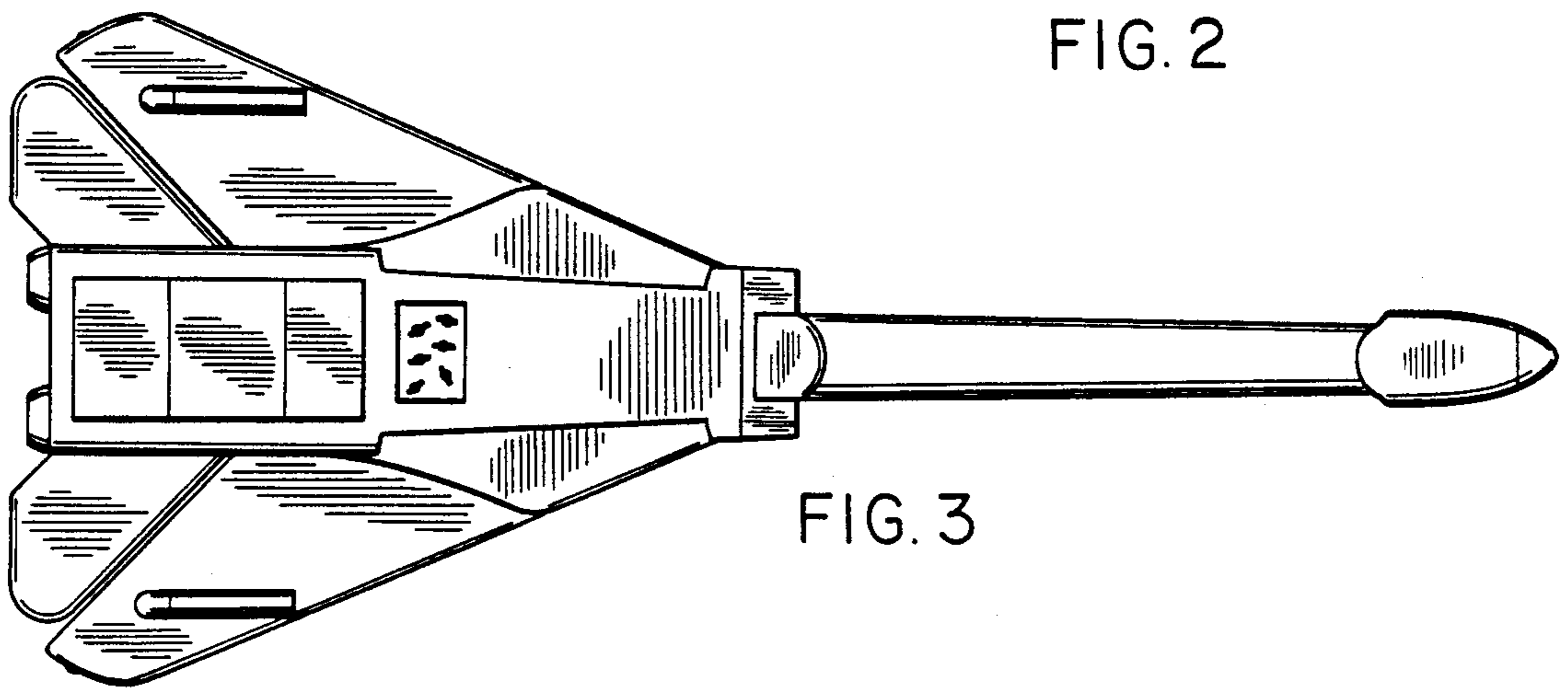


FIG. 3

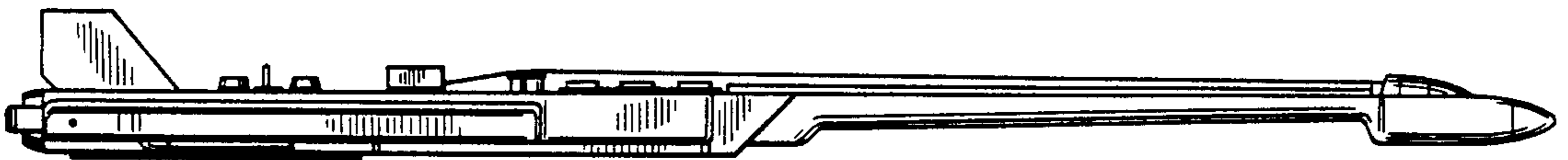


FIG. 4



FIG. 5