

[54] SORTER FOR ELECTROPHOTOGRAPHIC COPIER

[75] Inventor: Akira Imai, Kanagawa, Japan

[73] Assignee: Ricoh Company, Ltd., Tokyo, Japan

[\*\*] Term: 14 Years

[21] Appl. No.: 788,272

[22] Filed: Oct. 17, 1985

[30] Foreign Application Priority Data

Aug. 9, 1985 [JP] Japan ..... 60-034386

[52] U.S. Cl. .... D16/32; D14/110

[58] Field of Search ..... D16/27-32; D14/110; 271/287-303; 270/52, 56, 58

[56] References Cited

U.S. PATENT DOCUMENTS

- D. 271,882 12/1983 Du Bois ..... D16/32
- D. 280,635 9/1985 Saito ..... D16/32
- D. 280,636 9/1985 Hara ..... D16/32

- D. 286,409 10/1986 Kosako ..... D16/32
- 4,332,377 6/1982 Du Bois ..... 271/293
- 4,361,321 11/1982 Holliday ..... 271/292
- 4,470,356 9/1984 Davis ..... 271/292 X
- 4,548,403 10/1985 Matsui ..... 271/296

Primary Examiner—Nelson C. Holtje  
Attorney, Agent, or Firm—Oblon, Fisher, Spivak, McClelland, & Maier

[57] CLAIM

The ornamental design for sorter for electrophotographic copier, as shown and described.

DESCRIPTION

FIG. 1 is a front and top-right perspective view of a sorter for electrophotographic copier showing my new design;

FIG. 2 is a front elevational view thereof;

FIG. 3 is a top plan view thereof;

FIG. 4 is a right side elevational view thereof;

FIG. 5 is a left side elevational view thereof;

FIG. 6 is a rear elevational view thereof, and

FIG. 7 is a bottom plan view thereof.

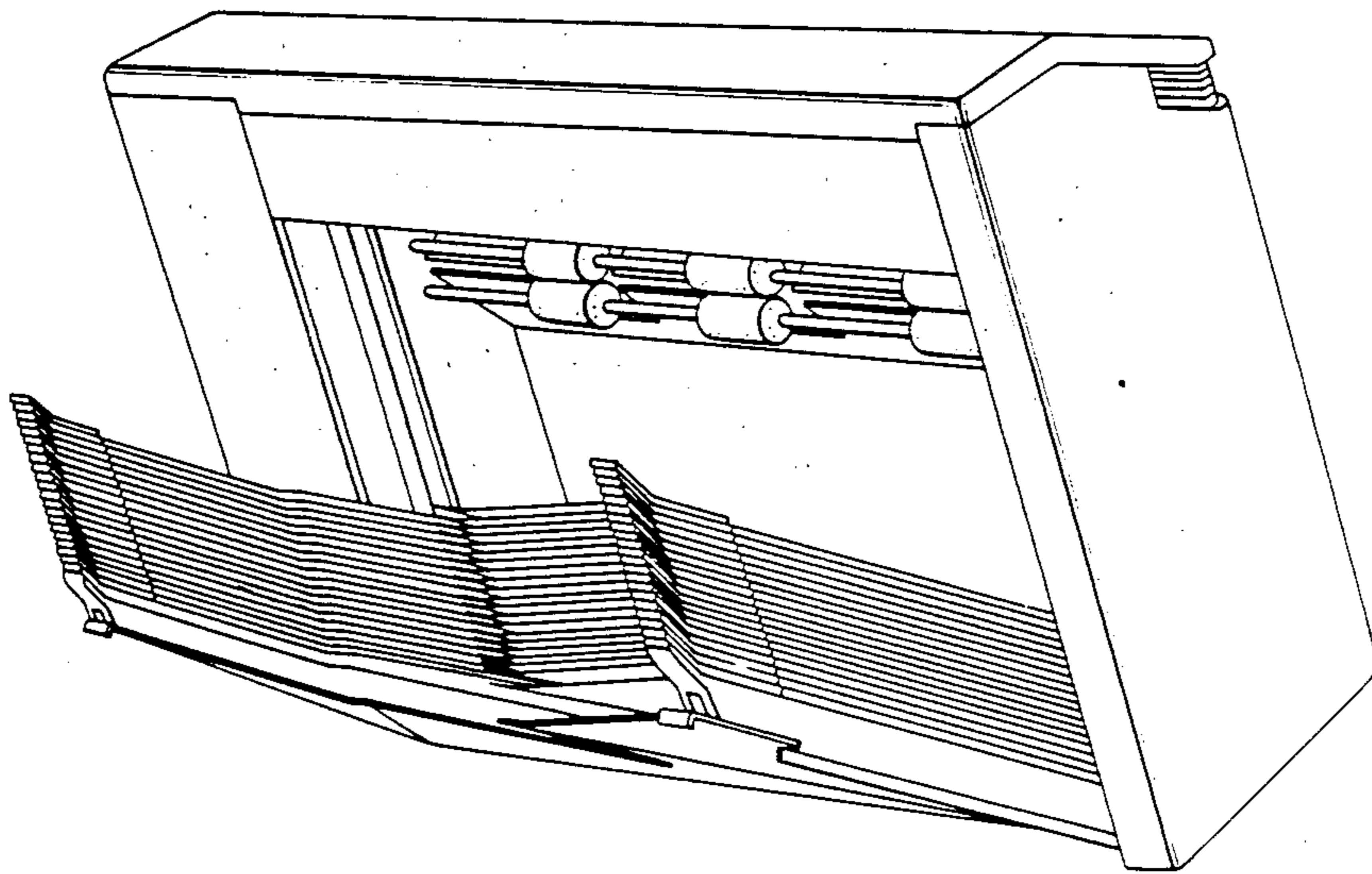


FIG. 1

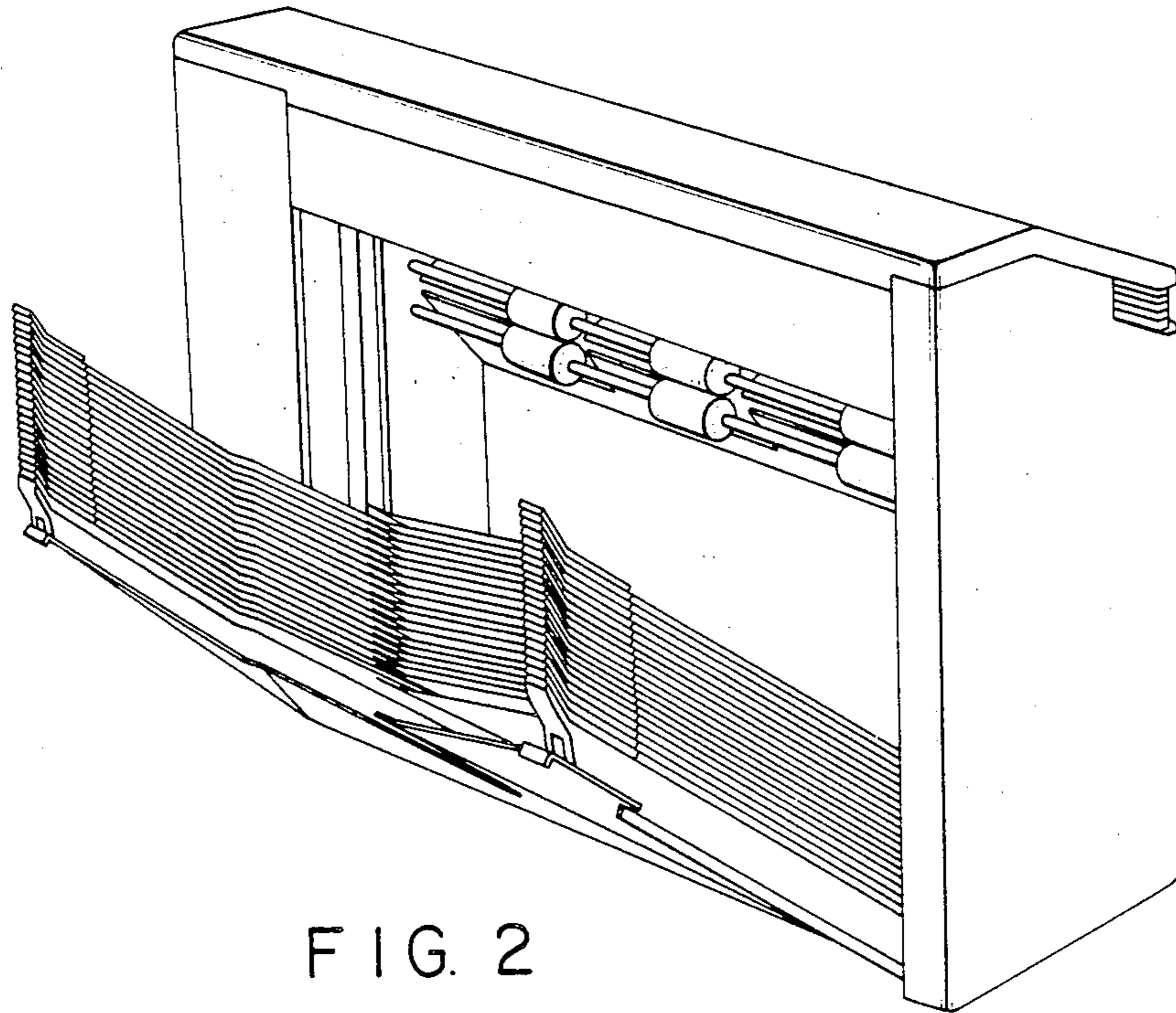


FIG. 2

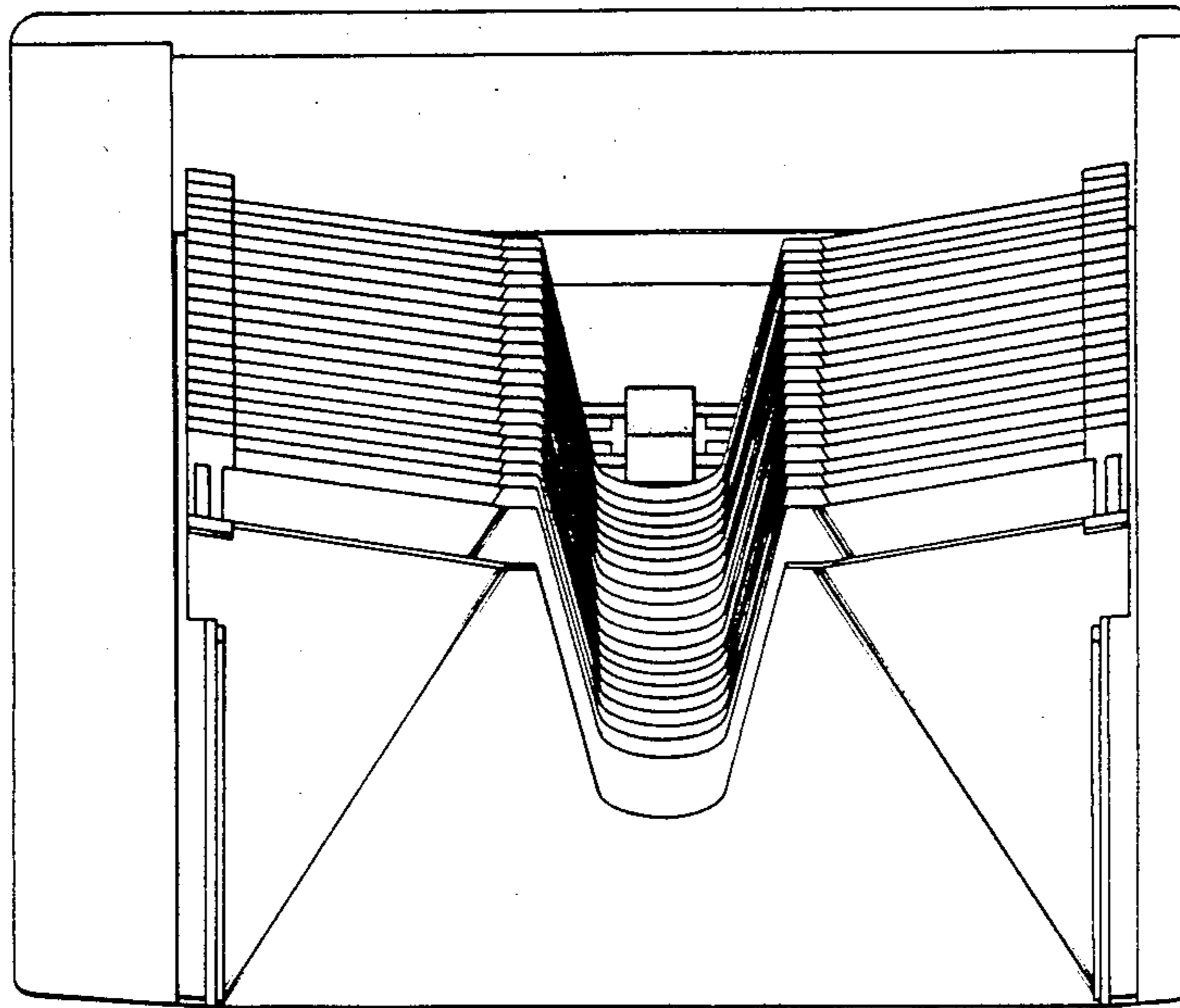


FIG. 3

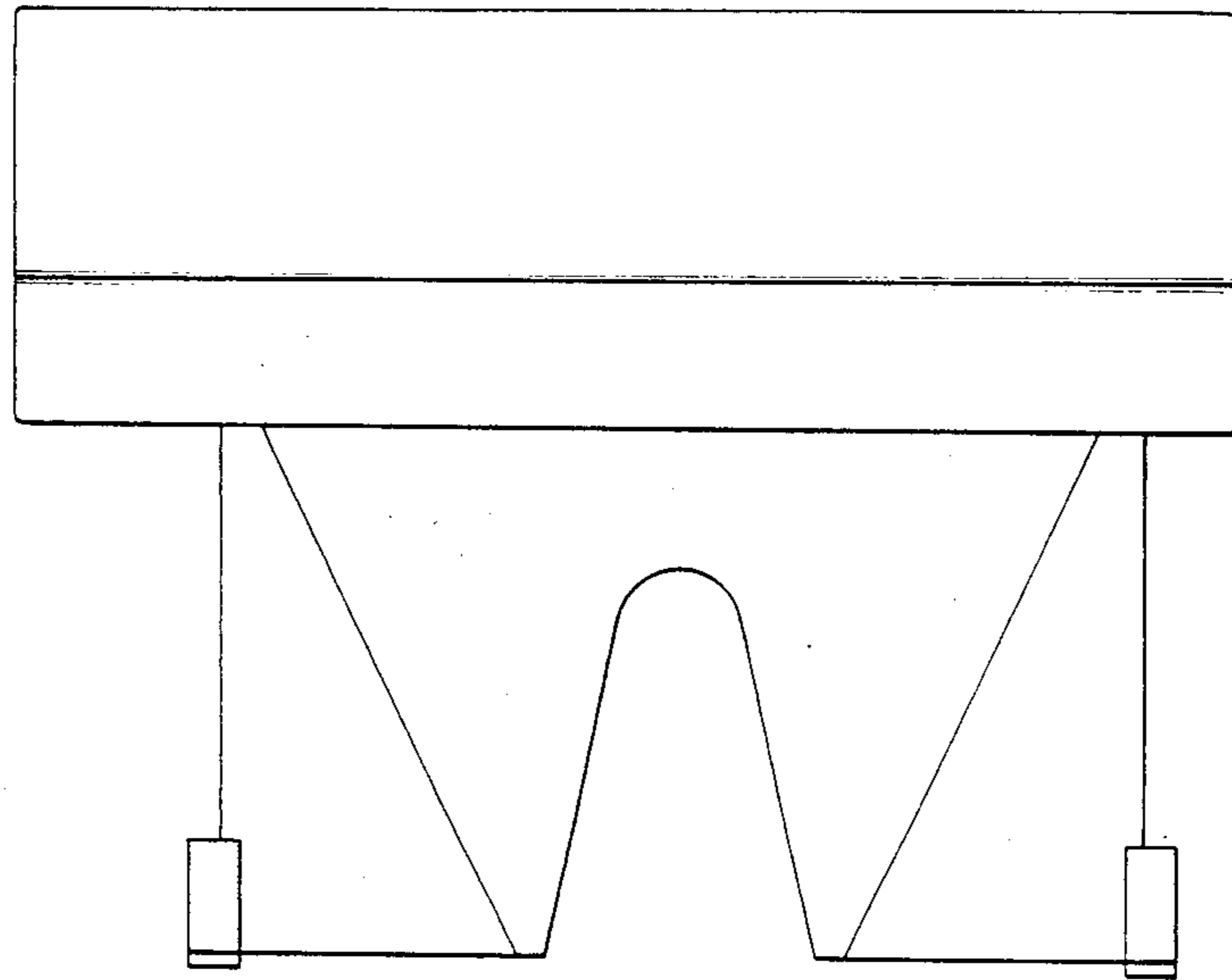


FIG. 4

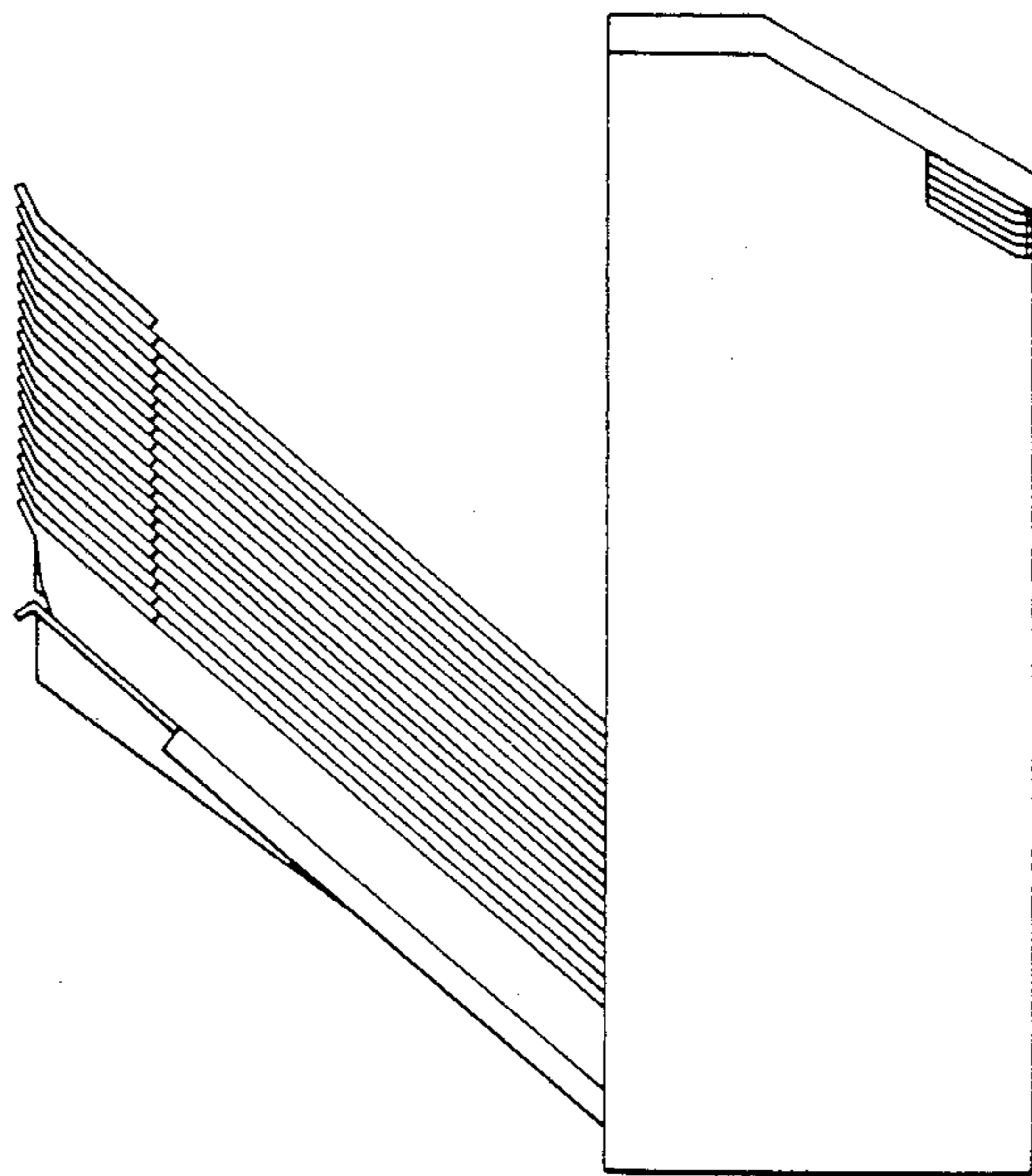


FIG. 5

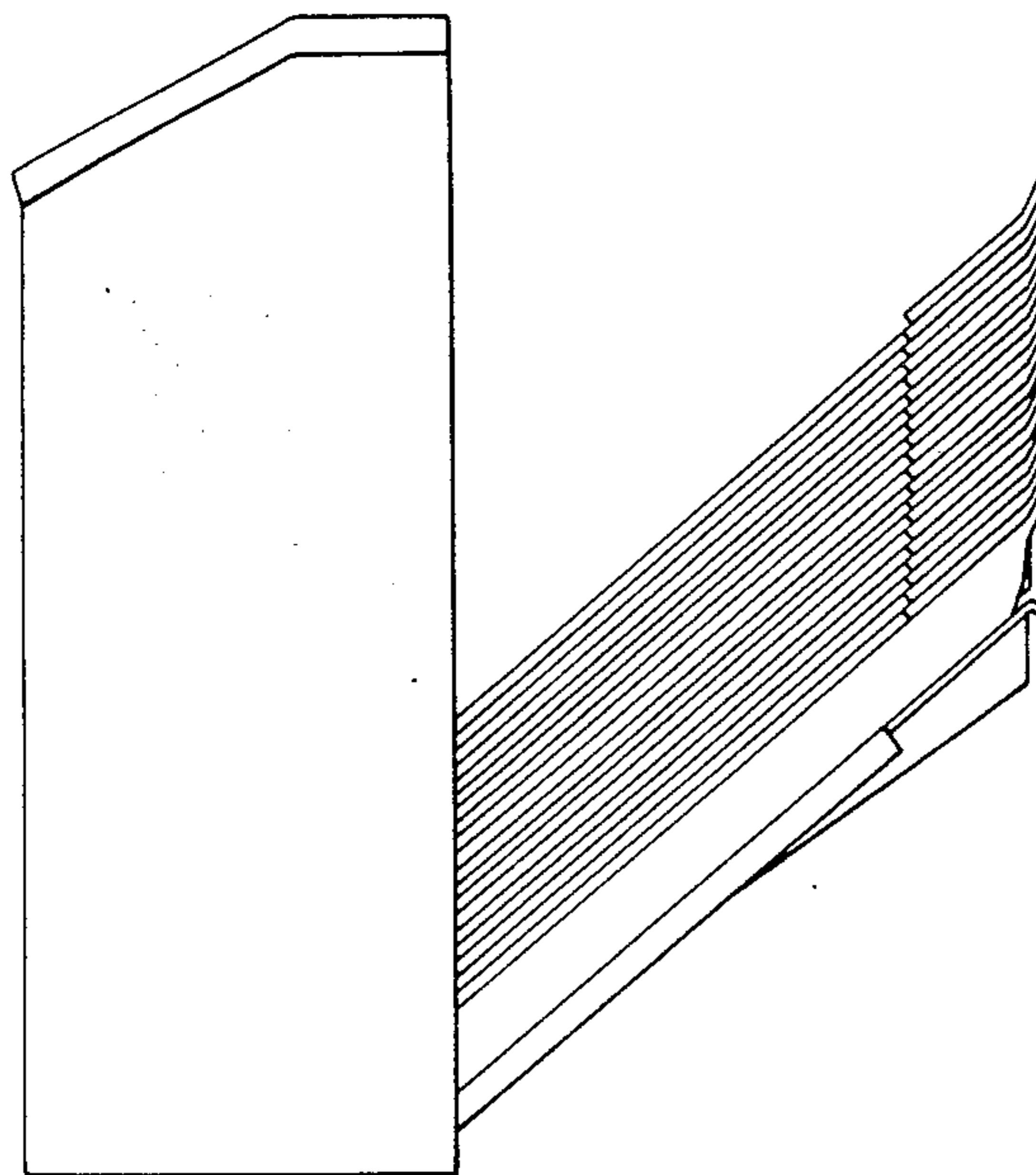


FIG. 6

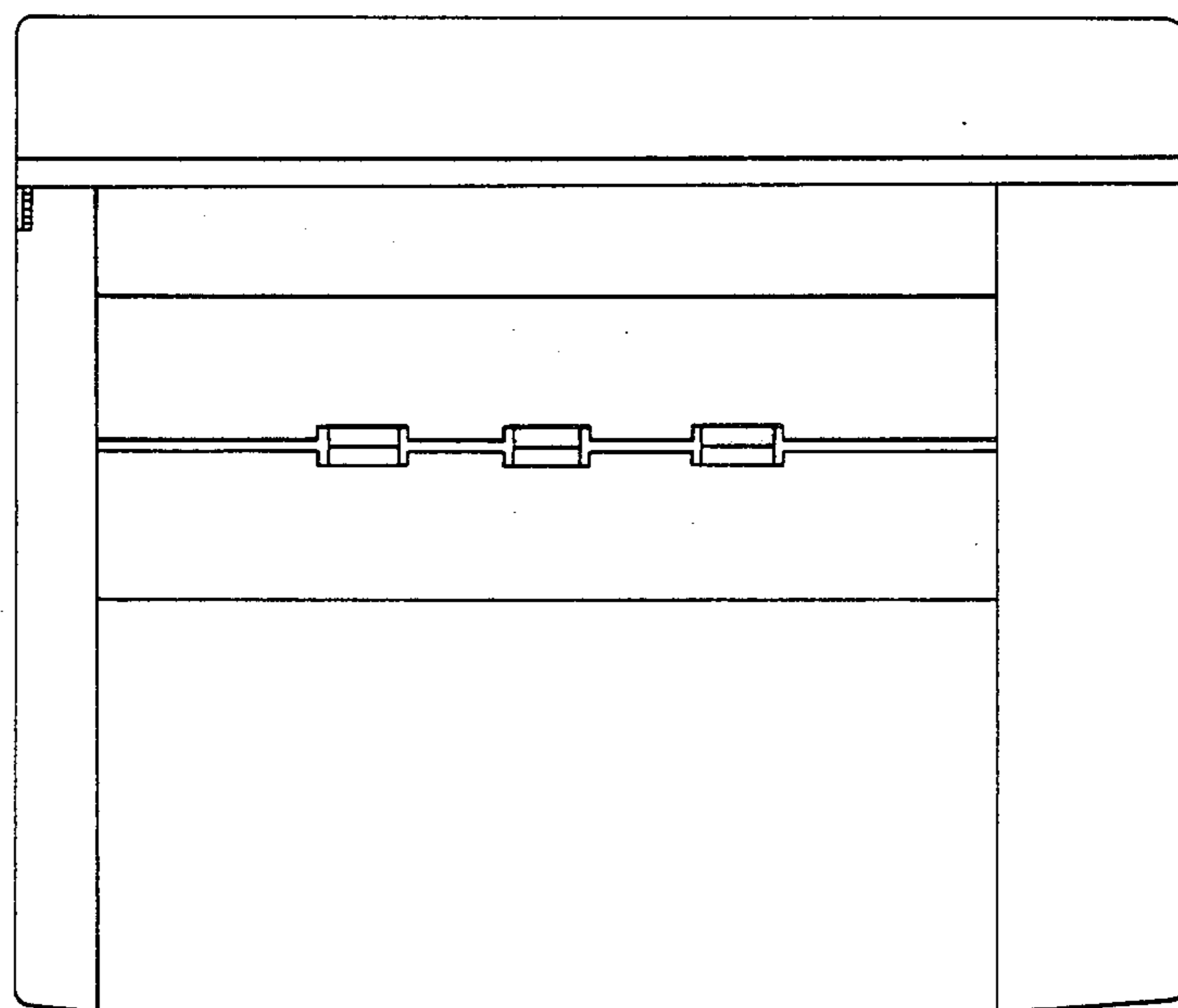


FIG. 7

