

[54] FOLDABLE STEREO VIEWER

[76] Inventor: Louis Chevalier, 26, Boulevard du Parc Impérial, 06000 Nice, France

[**] Term: 14 Years

[21] Appl. No.: 740,421

[22] Filed: Jun. 3, 1985

Related U.S. Application Data

[63] Continuation-in-part of Ser. No. 617,678, Jun. 6, 1984, Pat. No. 4,660,931.

[52] U.S. Cl. D16/18; D16/12

[58] Field of Search D16/11-19; 40/361-367; 350/140, 250

References Cited

U.S. PATENT DOCUMENTS

- D. 183,267 7/1958 Raber D16/11
- D. 276,239 11/1984 Yamamoto D16/38
- 2,696,754 12/1954 Mamock 350/250 X
- 2,715,853 8/1955 Austin D16/12 X

- 2,934,999 5/1960 Baumel D16/12 X
- 2,986,830 6/1961 Underberg 350/140
- 3,734,596 5/1973 Nerlich 350/140
- 4,239,328 12/1980 Justice 350/140 X
- 4,558,528 12/1985 Cunningham 350/140 X
- 4,660,931 4/1987 Chevalier 350/140

Primary Examiner—Nelson C. Holtje
Attorney, Agent, or Firm—D. Peter Hochberg

[57] CLAIM

The ornamental design for the foldable stereo viewer, as shown and described.

DESCRIPTION

FIG. 1 is a right side elevational view of a foldable stereo viewer in the folded position;
 FIG. 2 is a right front perspective view thereof;
 FIG. 3 is a left rear perspective view thereof;
 FIG. 4 is a top and right front perspective view in the viewing position;
 FIG. 5 is a top and left rear perspective view of FIG. 4;
 FIG. 6 is a right side elevational view of FIG. 4, the left side view being a mirror image thereto.

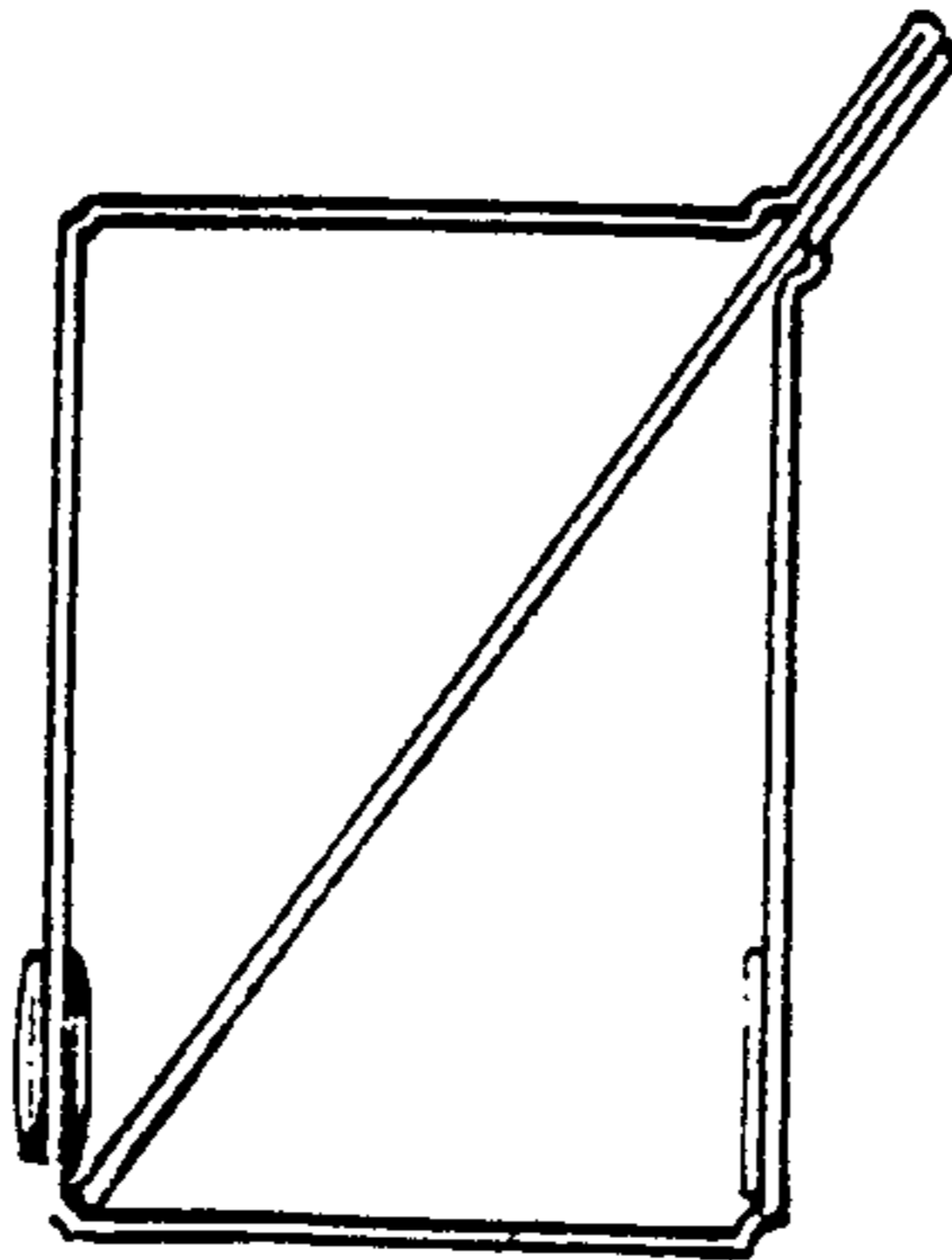


FIG. 1

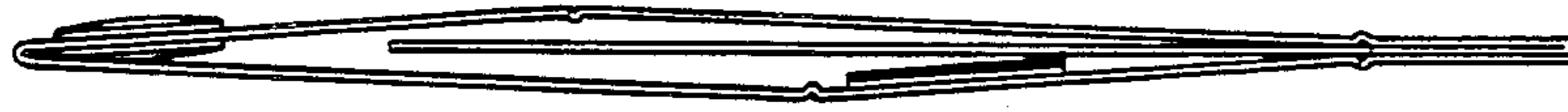


FIG. 2

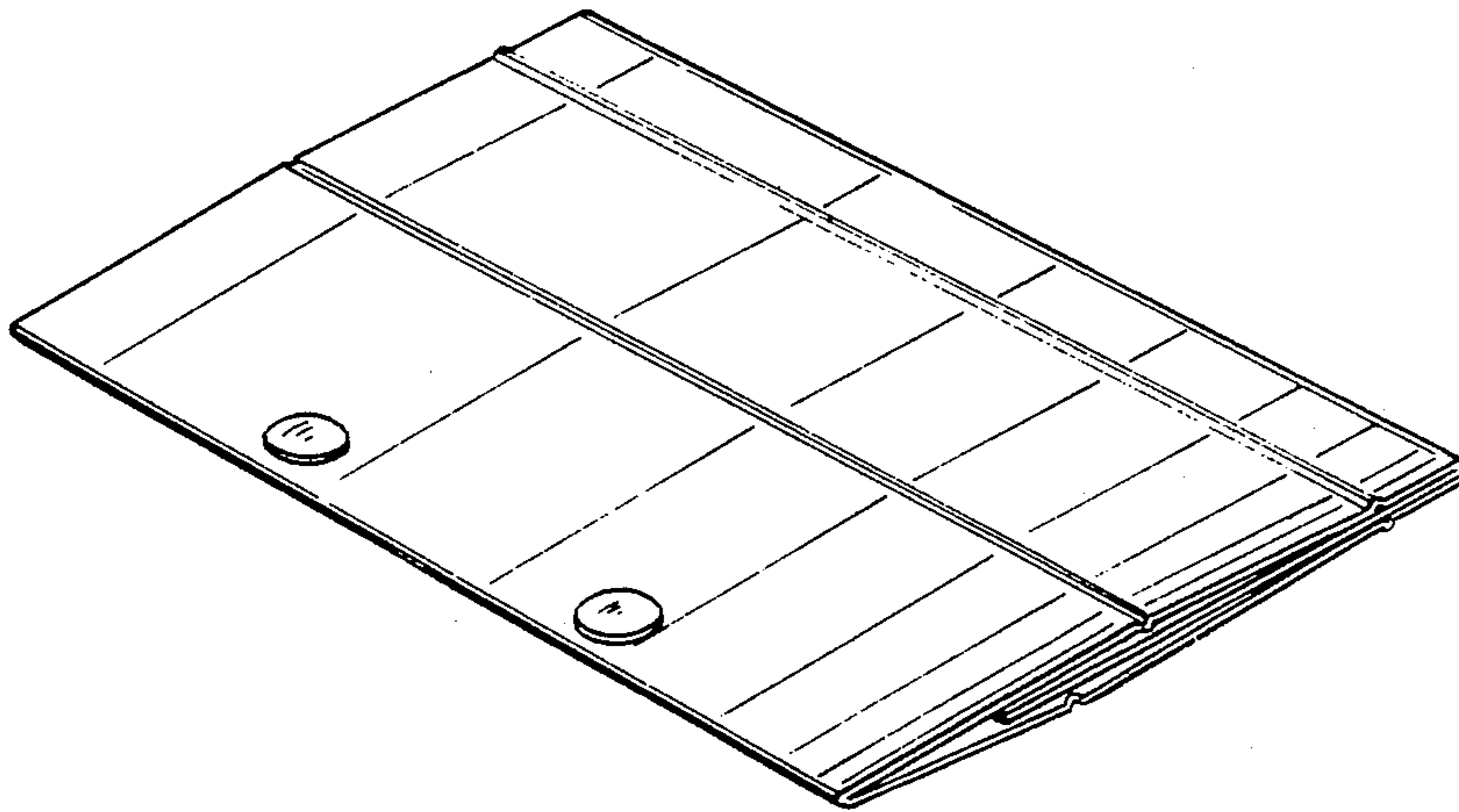


FIG. 3

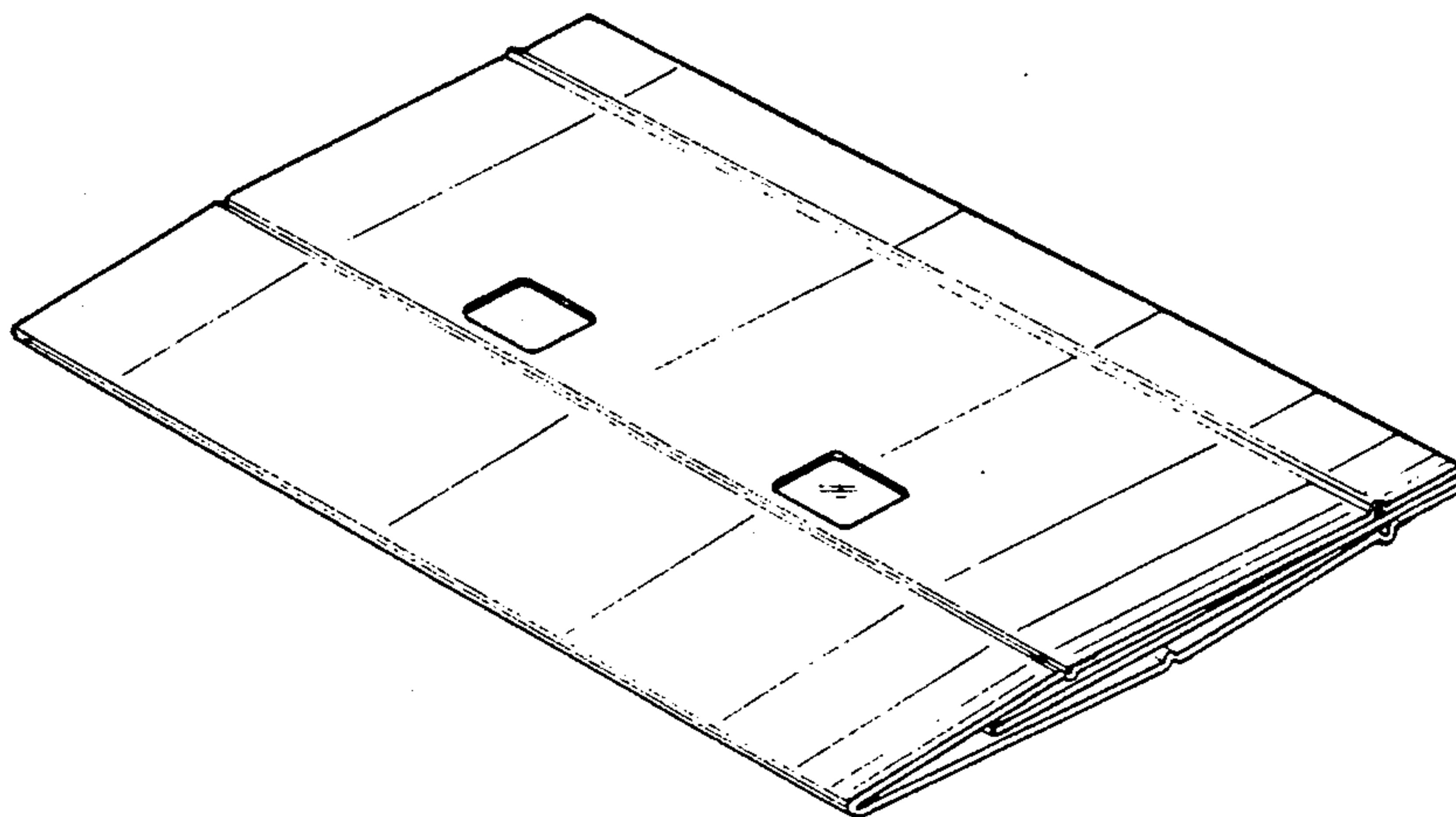


FIG. 4

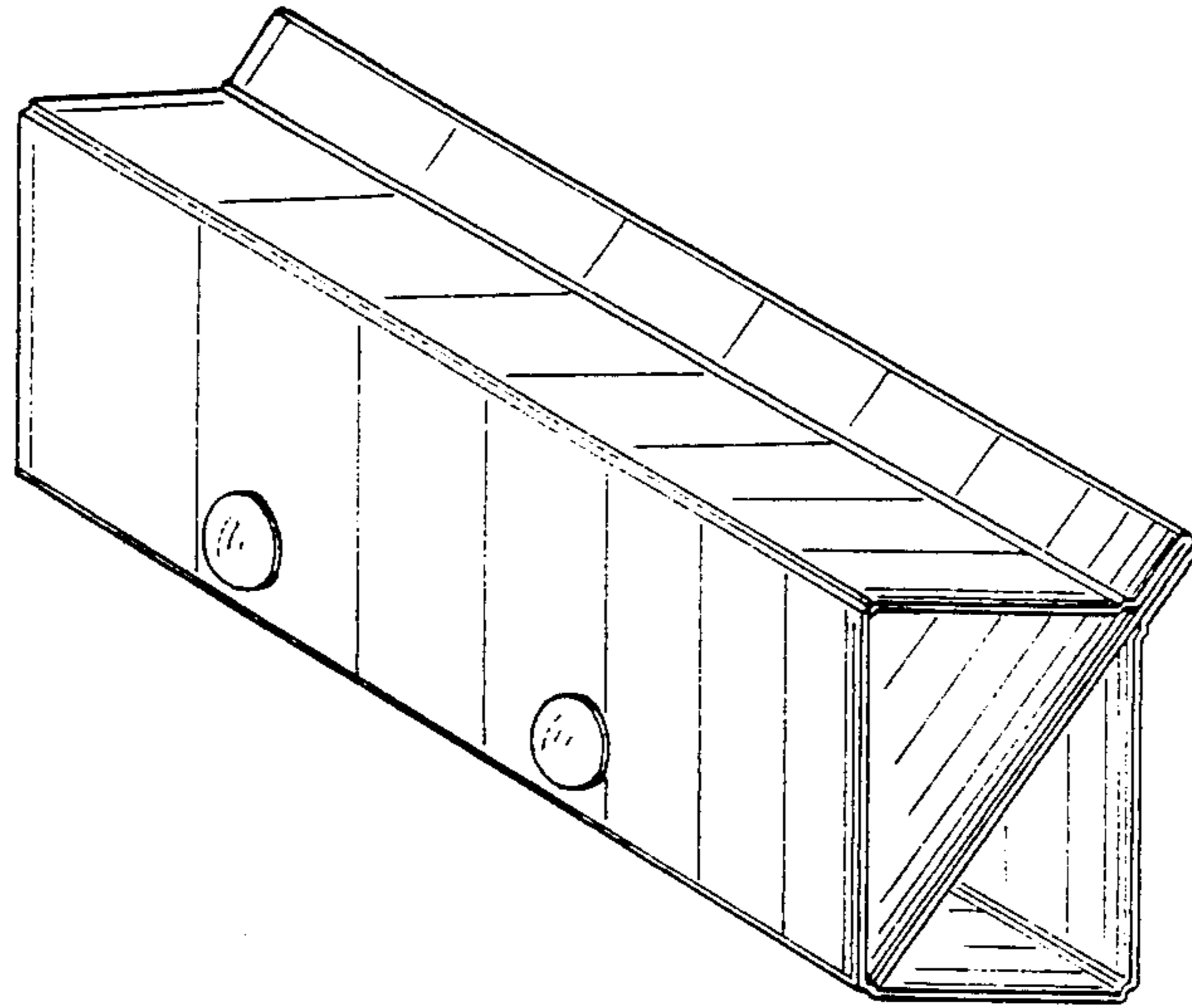


FIG. 5

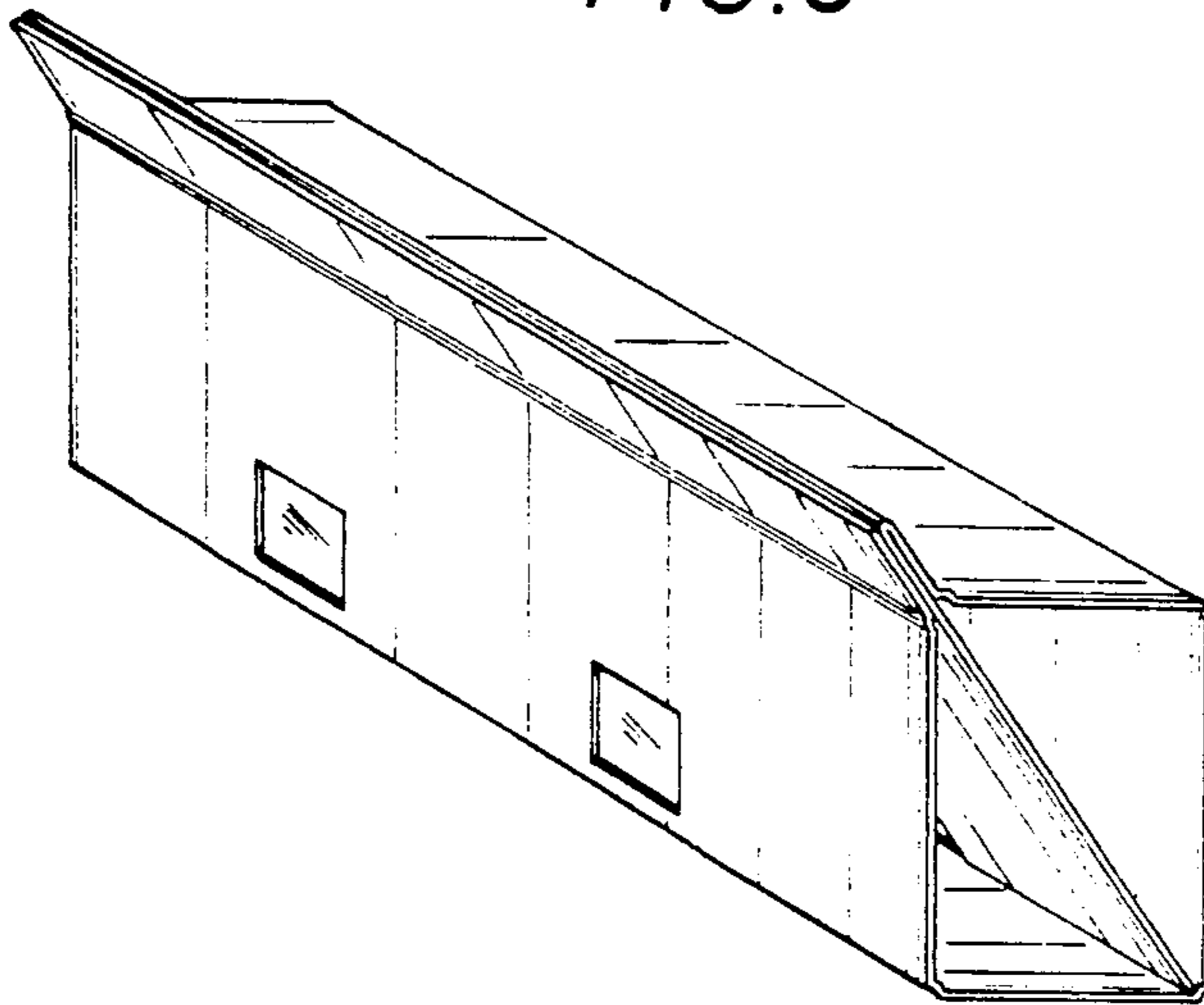


FIG. 6

