

[54] TOOL FOR HOLDING ROUND THREAD  
DIES

[76] Inventor: Herbert Johnson, 6515 Irving Ave.,  
Richfield, Minn. 55423

[\*\*] Term: 14 Years

[21] Appl. No.: 692,520

[22] Filed: Jan. 18, 1985

[52] U.S. Cl. .... D15/140

[58] Field of Search ..... D8/71, 25, 29; 279/1 A,  
279/1 N, 9 R, 46 R; 72/462-463, 467, 479, 481;  
81/44; 407/33; 408/146, 238; 29/DIG. 74

[56] References Cited

U.S. PATENT DOCUMENTS

D. 271,112	10/1983	Wiatt et al. ....	D15/140
D. 278,344	4/1985	Smith .....	D15/140
1,155,211	9/1915	Carpenter .....	407/33
1,160,042	11/1915	Carpenter .....	407/33
2,231,252	2/1941	Chesterman .....	279/9 R

2,345,462	3/1944	Coughlin .....	279/9 R
2,361,683	10/1944	Greenberg .....	279/1 A
2,725,558	12/1955	Munson .....	81/44
3,405,949	10/1968	Cox .....	279/9

OTHER PUBLICATIONS

Penn Tool Co. Cat. 1982, p. 118, bottom of page Die  
Holder.

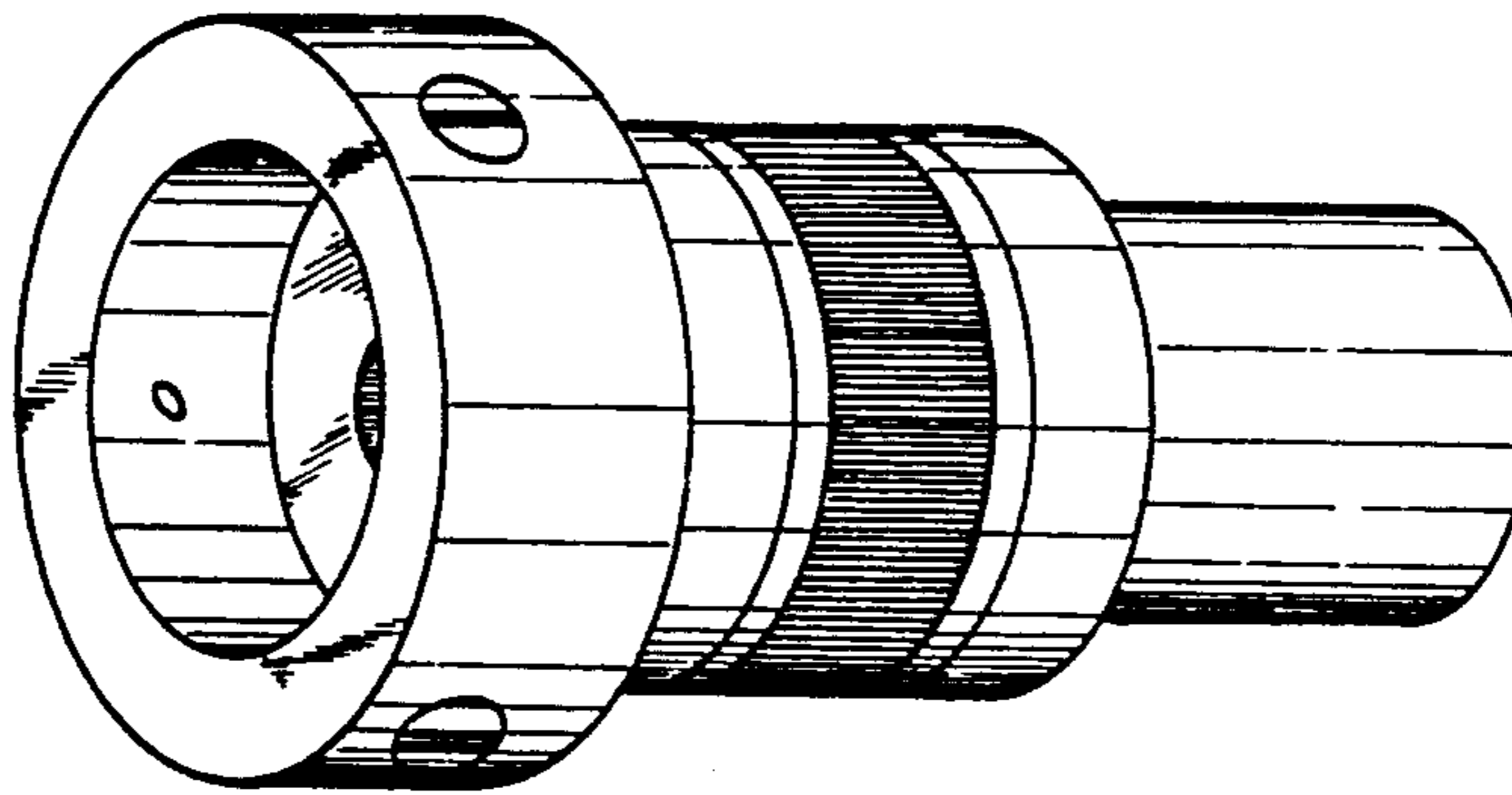
Primary Examiner—Wallace R. Burke  
Assistant Examiner—Ruth Takemoto  
Attorney, Agent, or Firm—Gilden & Israel

[57] CLAIM

The ornamental design for a tool for holding round  
thread dies, as shown.

DESCRIPTION

FIG. 1 is a perspective view of a tool for holding round  
thread dies showing my new design;  
FIG. 2 is a front elevational view thereof;  
FIG. 3 is a rear elevational view thereof; and  
FIG. 4 is a side elevational view thereof.



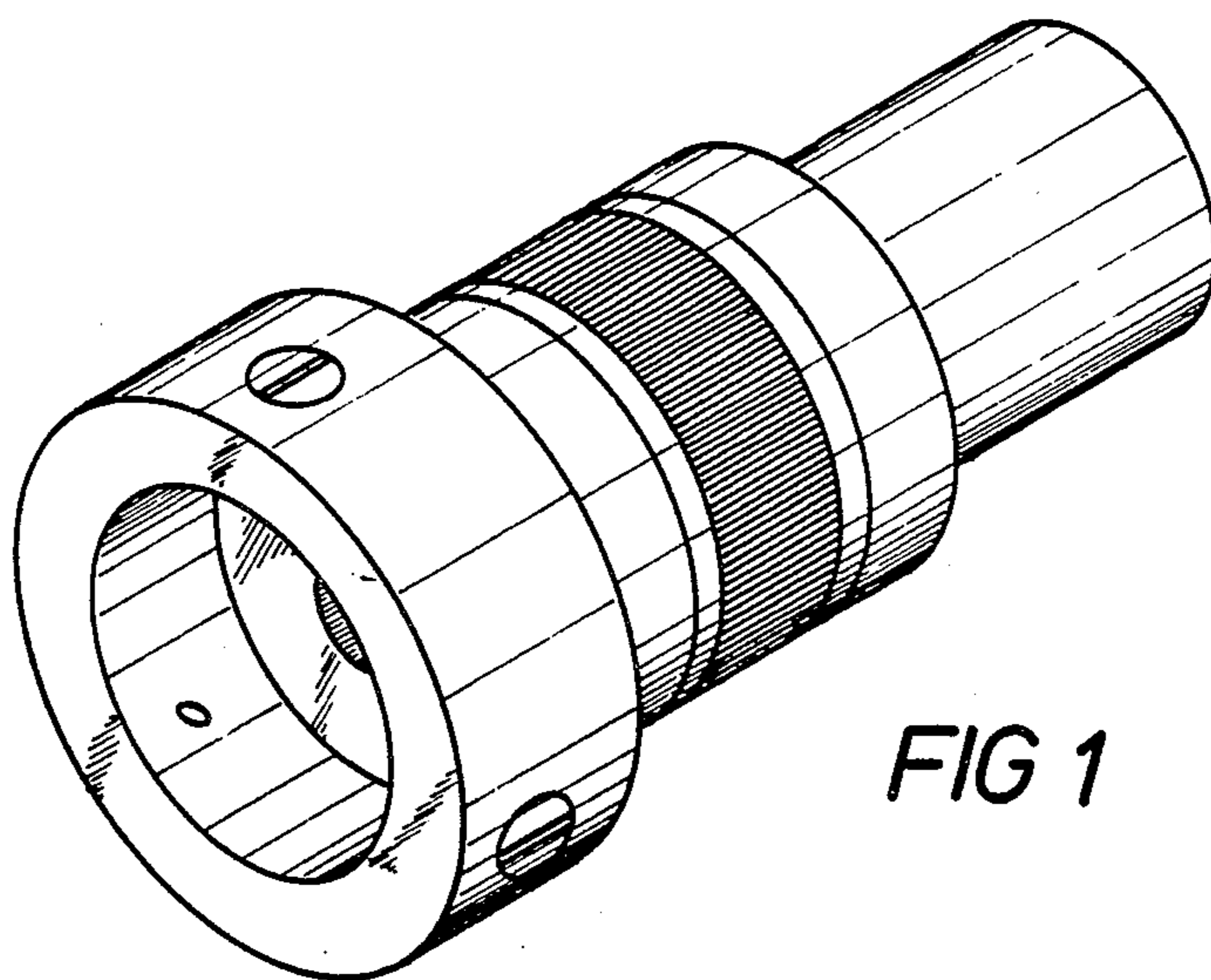


FIG 1

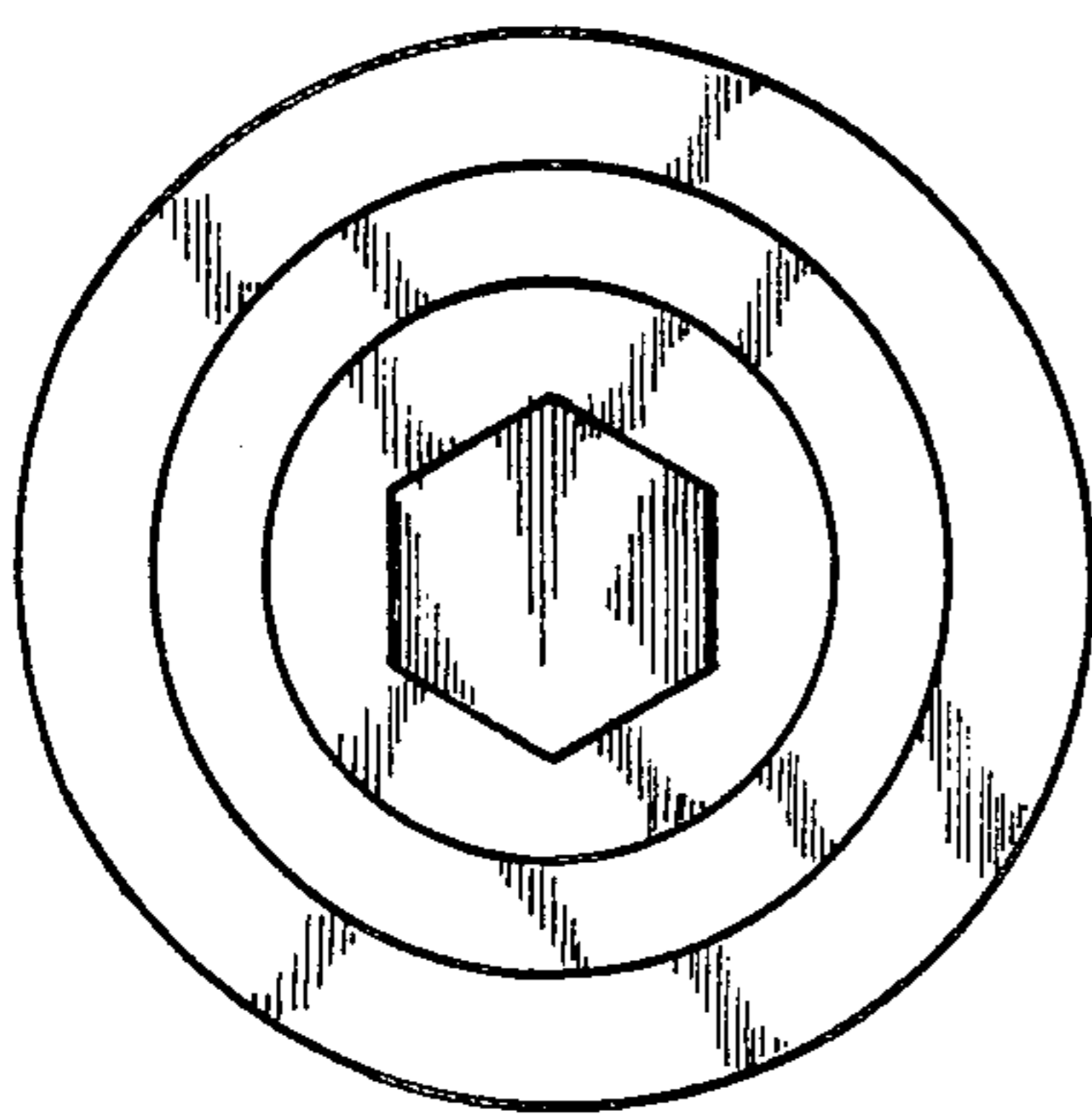


FIG 3

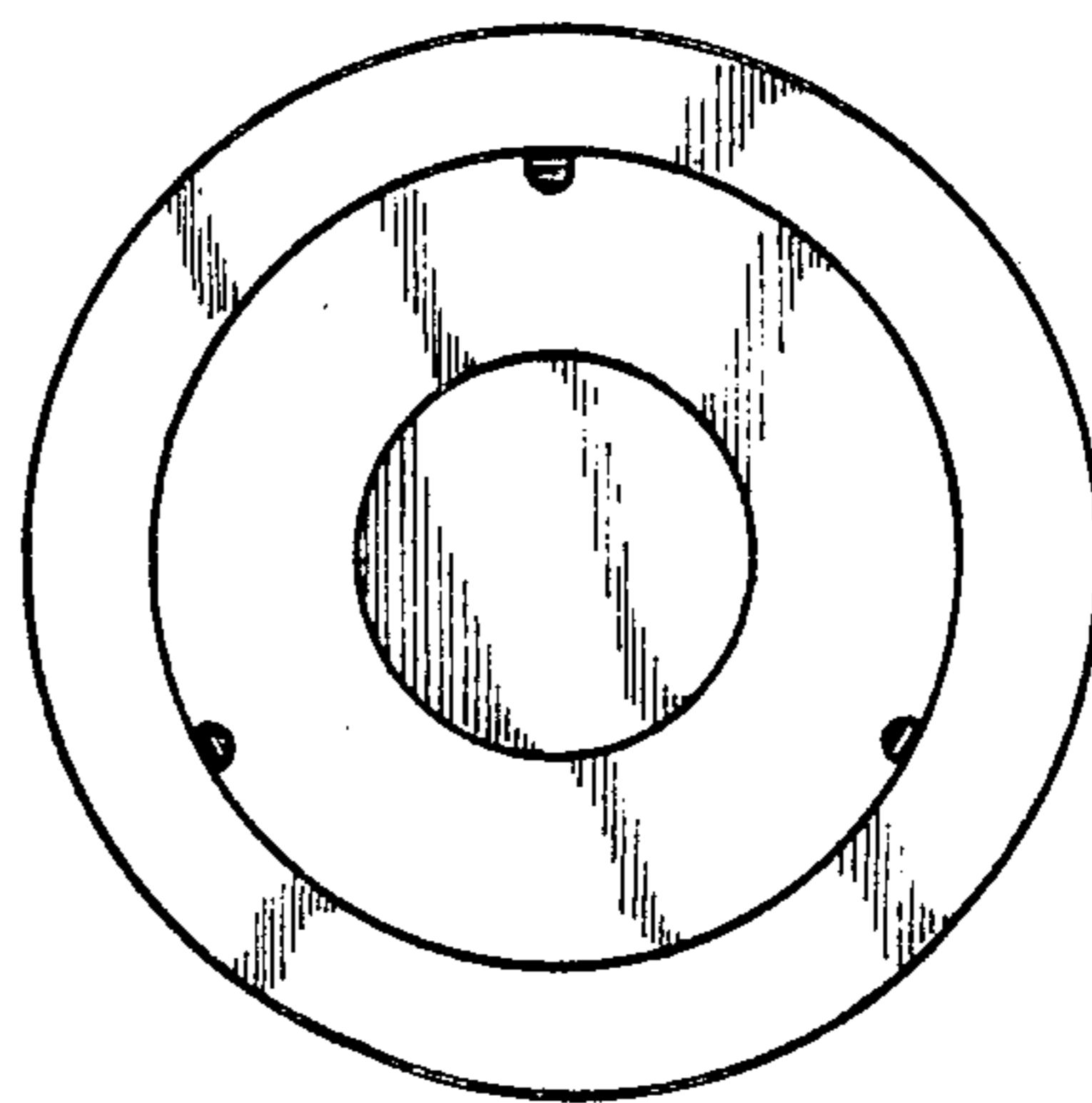


FIG 2

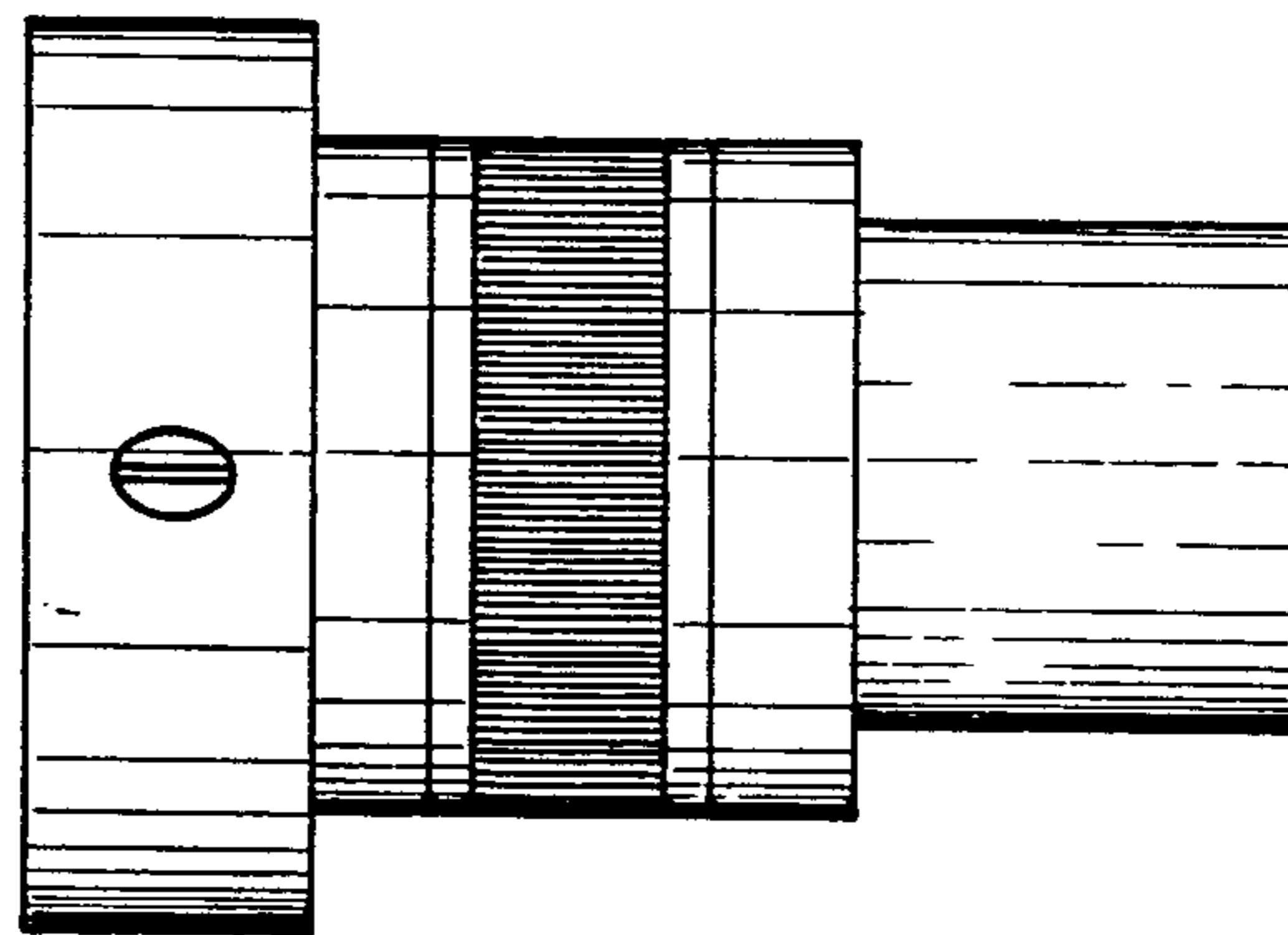


FIG 4