

[54] AIR CLEANER COVER

[75] Inventor: Neil F. Nagy, San Pedro, Calif.

[73] Assignee: Intersport Fashions West, Inc., Fullerton, Calif.

[**] Term: 14 Years

[21] Appl. No.: 749,266

[22] Filed: Jun. 27, 1985

[52] U.S. Cl. D15/5

[58] Field of Search D15/1, 3, 5; 123/198 E, 123/195 C; 55/490, 492, 501, 510, DIG. 28

[56] References Cited

U.S. PATENT DOCUMENTS

D. 157,443	2/1950	Sebok et al.	D15/5
D. 178,812	9/1956	Sebok	D15/5
D. 208,881	10/1967	Hodgson	D15/5
D. 213,403	2/1969	Kraus	D15/5
4,498,433	2/1985	Ogawa	123/90.38

OTHER PUBLICATIONS

J. C. Whitney Catalogue 431-C, p. 172, "High-Performance, Low Profile 14" Dia. Air Cleaner".

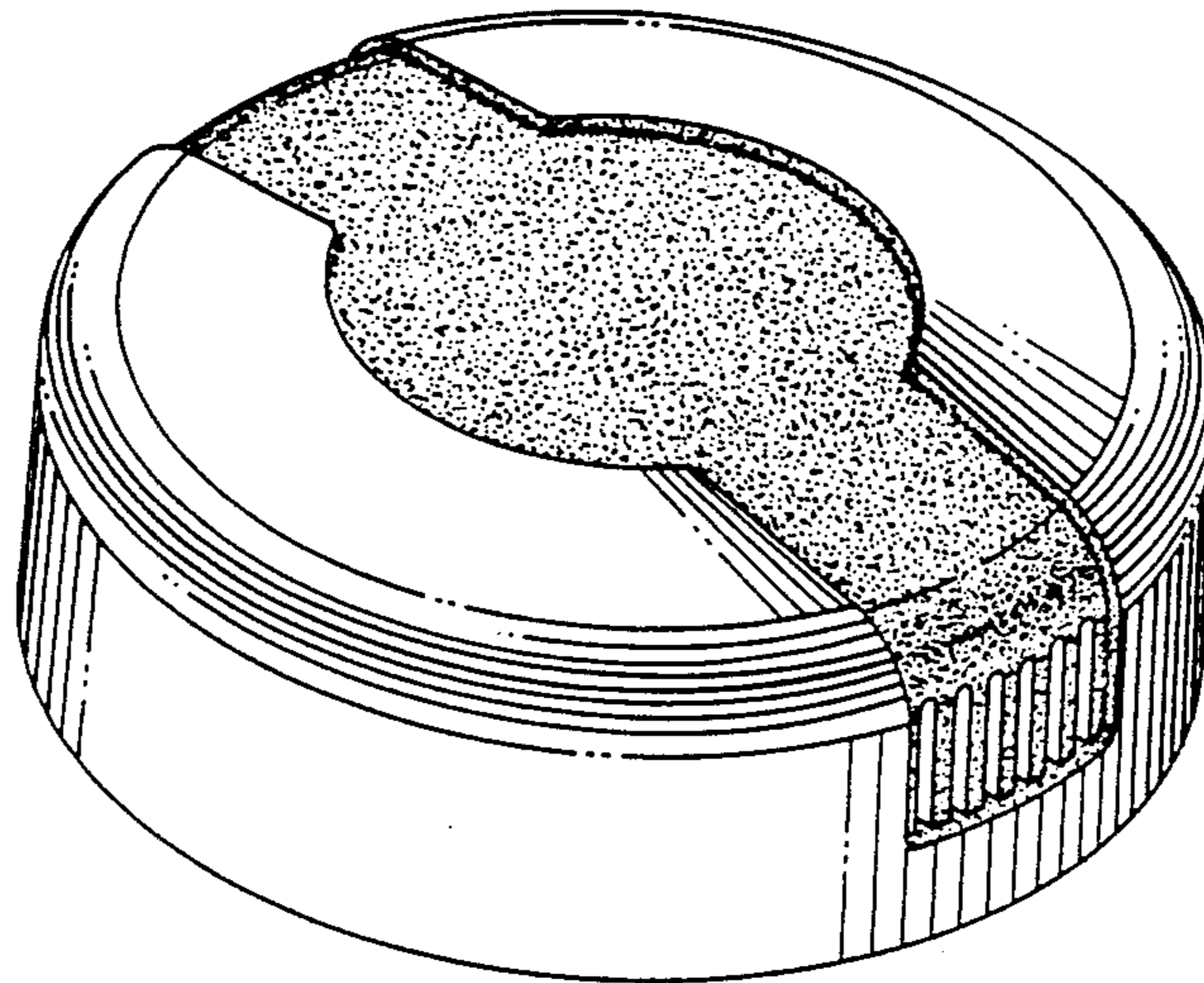
Primary Examiner—Wallace R. Burke
Assistant Examiner—Brian N. Vinson
Attorney, Agent, or Firm—Gausewitz, Carr & Rothenberg

[57] CLAIM

The ornamental design for an air cleaner cover, substantially as shown and described.

DESCRIPTION

FIG. 1 is a top perspective view of an air cleaner cover showing my new design;
FIG. 2 is a top plan view thereof;
FIG. 3 is a side elevational view thereof, the side opposite being identical in appearance; and,
FIG. 4 is a front elevational view thereof, the rear being identical in appearance.



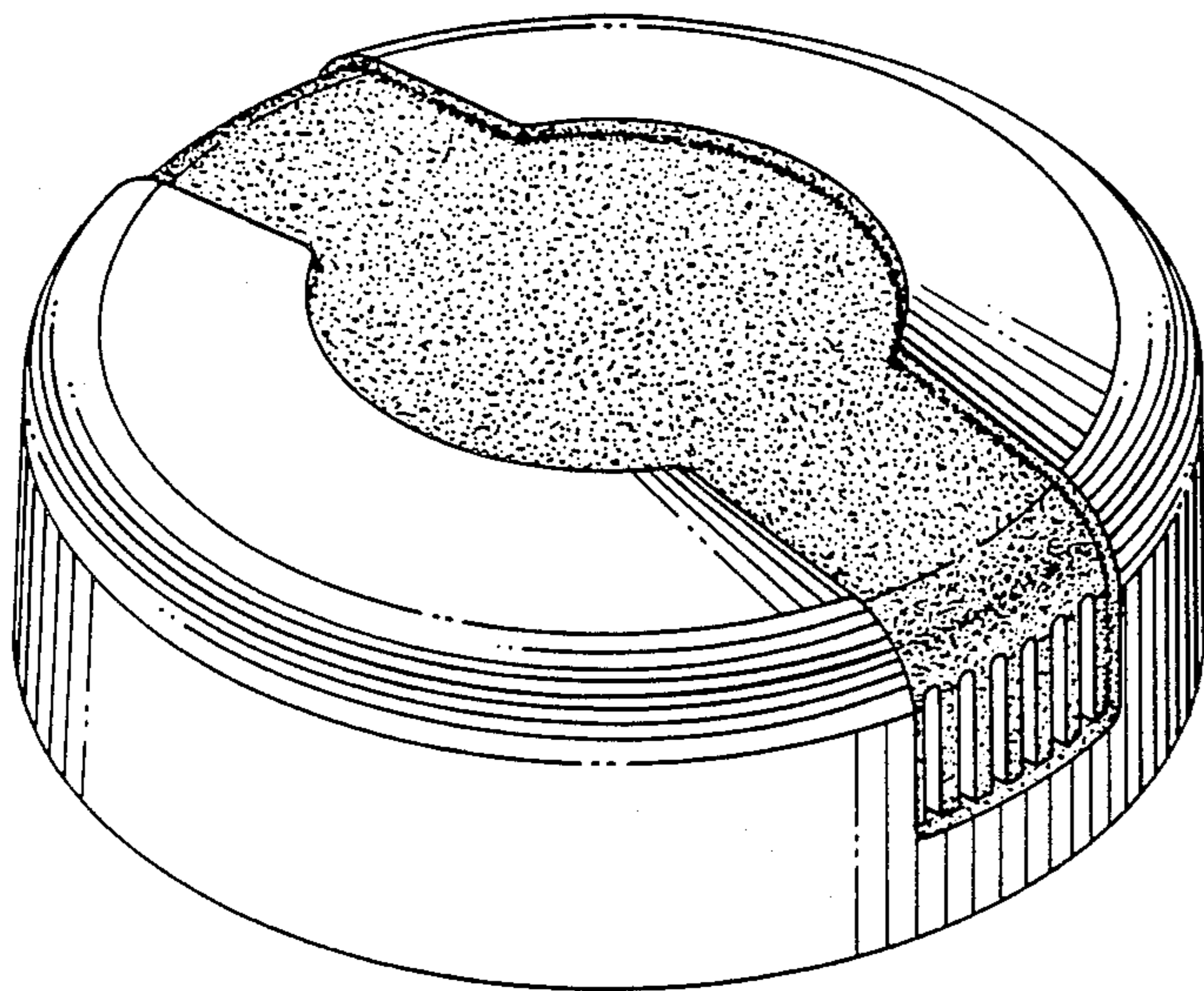


FIG. 1.

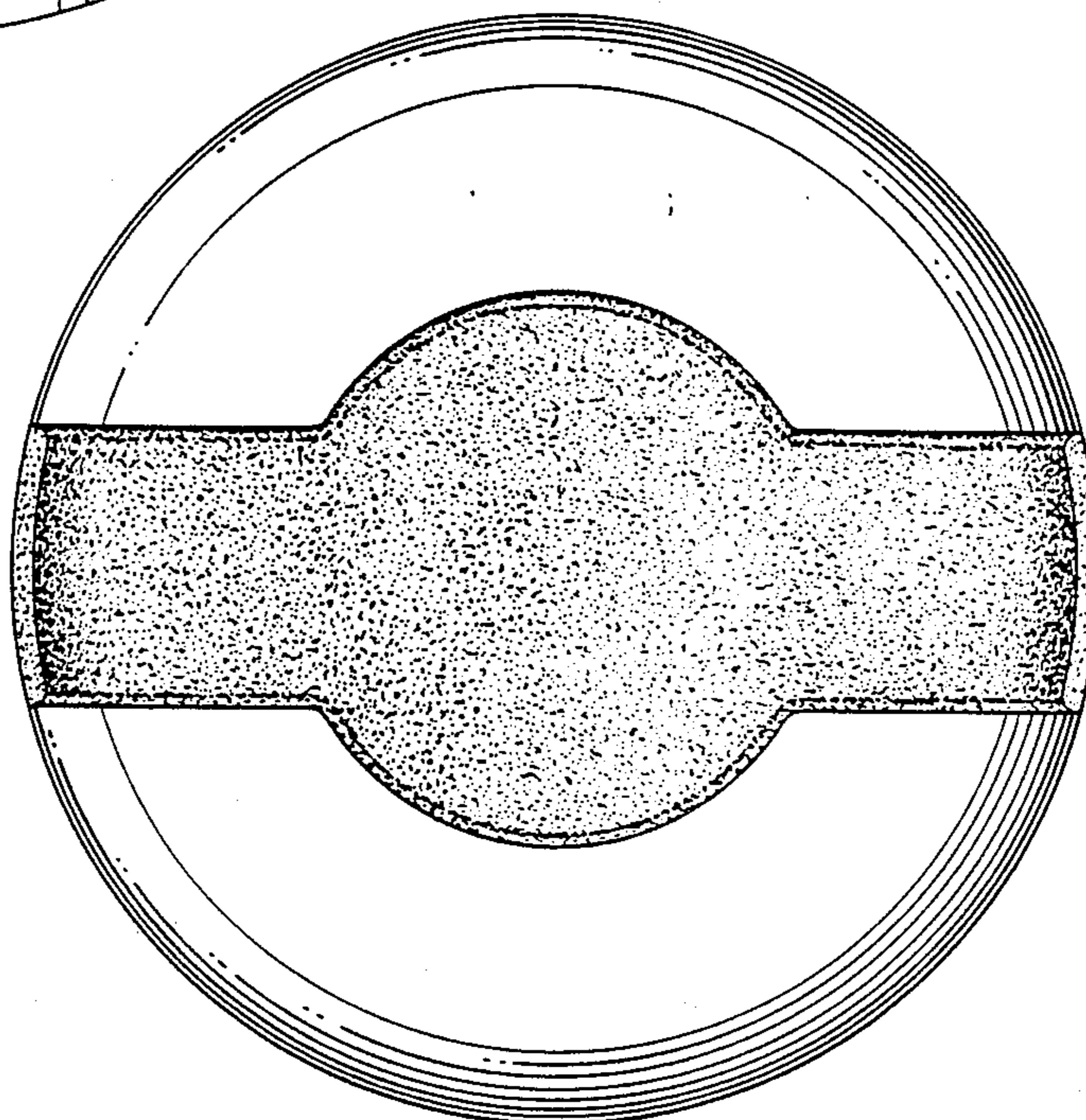


FIG. 2.

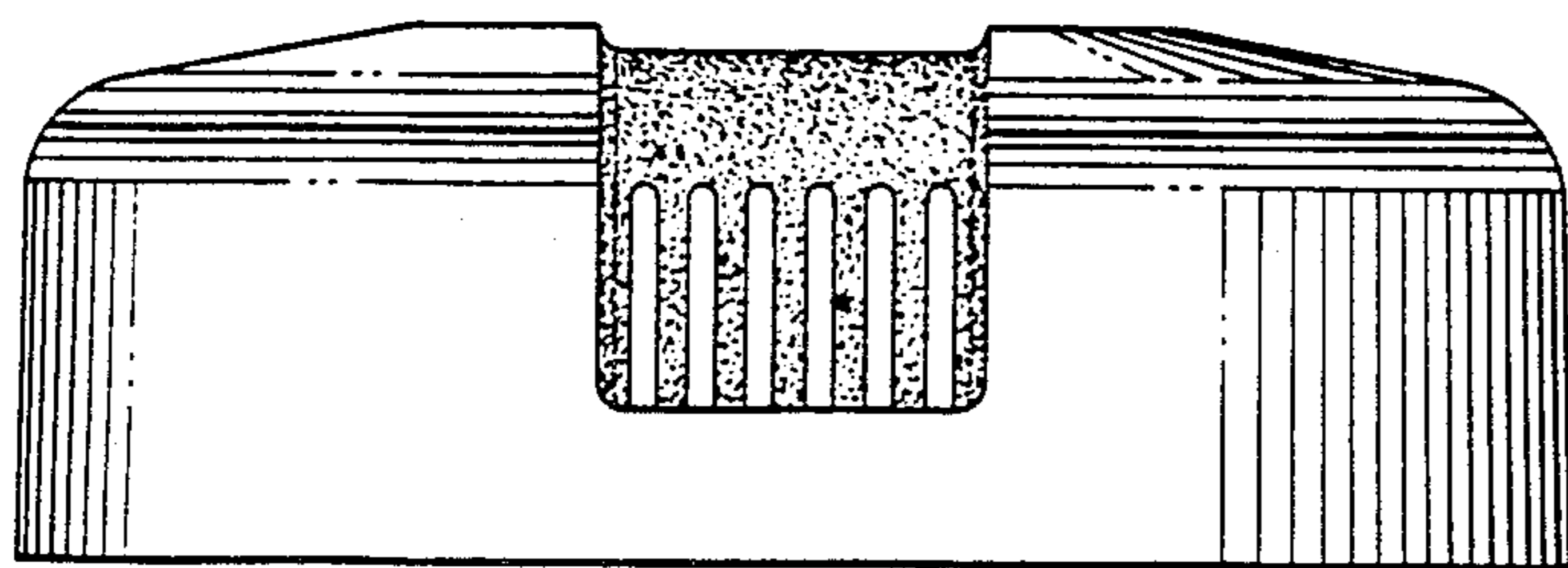


FIG. 3.

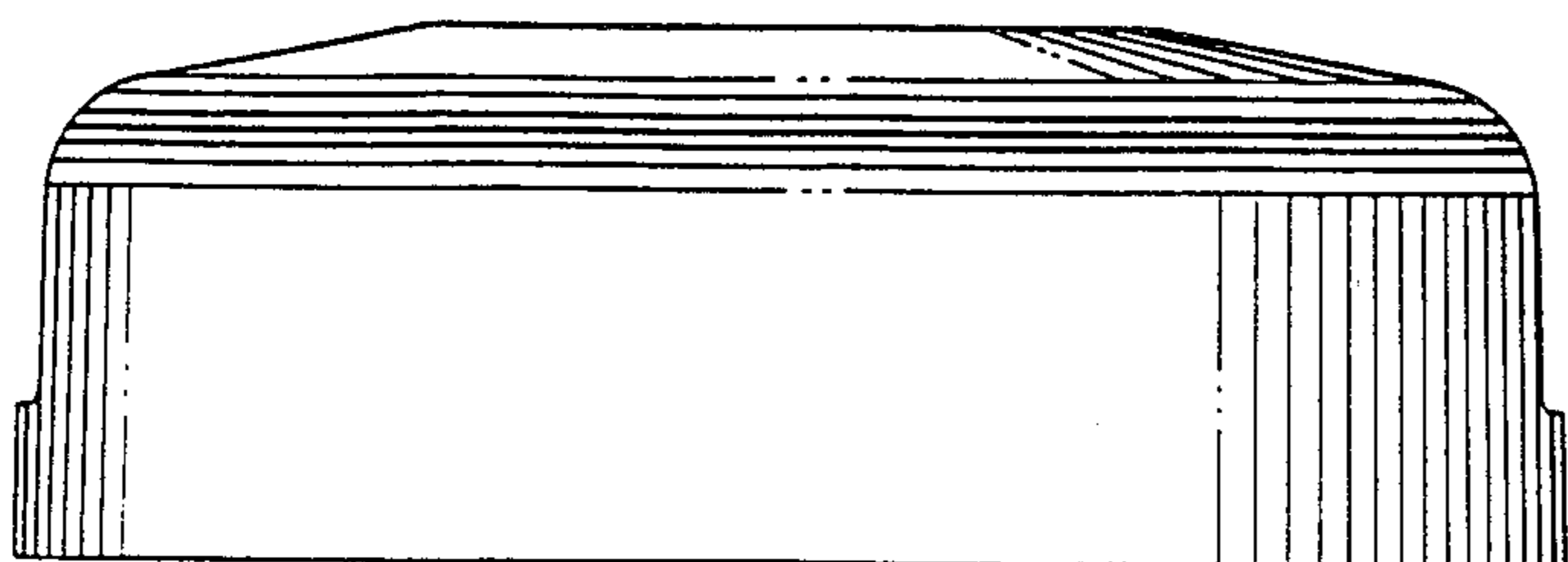


FIG. 4.