

[54] COMBINED VIDEO CAMERA AND TAPE RECORDER

[75] Inventors: Shin Miyashita, Tokyo; Atsushi Fukutomi, Kamakura, both of Japan

[73] Assignee: Sony Corporation, Tokyo, Japan

[\*\*] Term: 14 Years

[21] Appl. No.: 714,896

[22] Filed: Mar. 22, 1985

[30] Foreign Application Priority Data

Nov. 20, 1984 [JP] Japan ..... 59-47857

[52] U.S. Cl. .... D14/78; D14/5

[58] Field of Search ..... D14/1, 2, 5, 6, 77, D14/78, 79, 80, 81, 82, 83, 84, 99; D16/4; 358/906, 229; 352/72, 242

[56] References Cited

U.S. PATENT DOCUMENTS

D. 281,684 12/1985 Hyuga et al. .... D14/5

D. 282,656 2/1986 Mohri ..... D14/5

D. 285,683 9/1986 Shibata ..... D14/78

OTHER PUBLICATIONS

Victor Company of Japan, Ltd., brochure V-40101-0B-2, Victor; video movie, dated Feb. 1984. Merchandising, Sep. 1981, p. 7, color camera model VC1600.

Primary Examiner—Bernard Ansher  
Assistant Examiner—Theodore M. Shooman  
Attorney, Agent, or Firm—Lewis H. Eslinger; Alvin Sinderbrand

[57] CLAIM

The ornamental design for a combined video camera and tape recorder, as shown and described.

DESCRIPTION

FIG. 1 is a front and left-side perspective view of a combined video camera and tape recorder showing our new design;

FIG. 2 is a rear and right-side perspective view thereof, shown with the viewfinder rotated 90° from FIG. 1;

FIG. 3 is a front elevational view thereof;

FIG. 4 is a rear elevational view thereof;

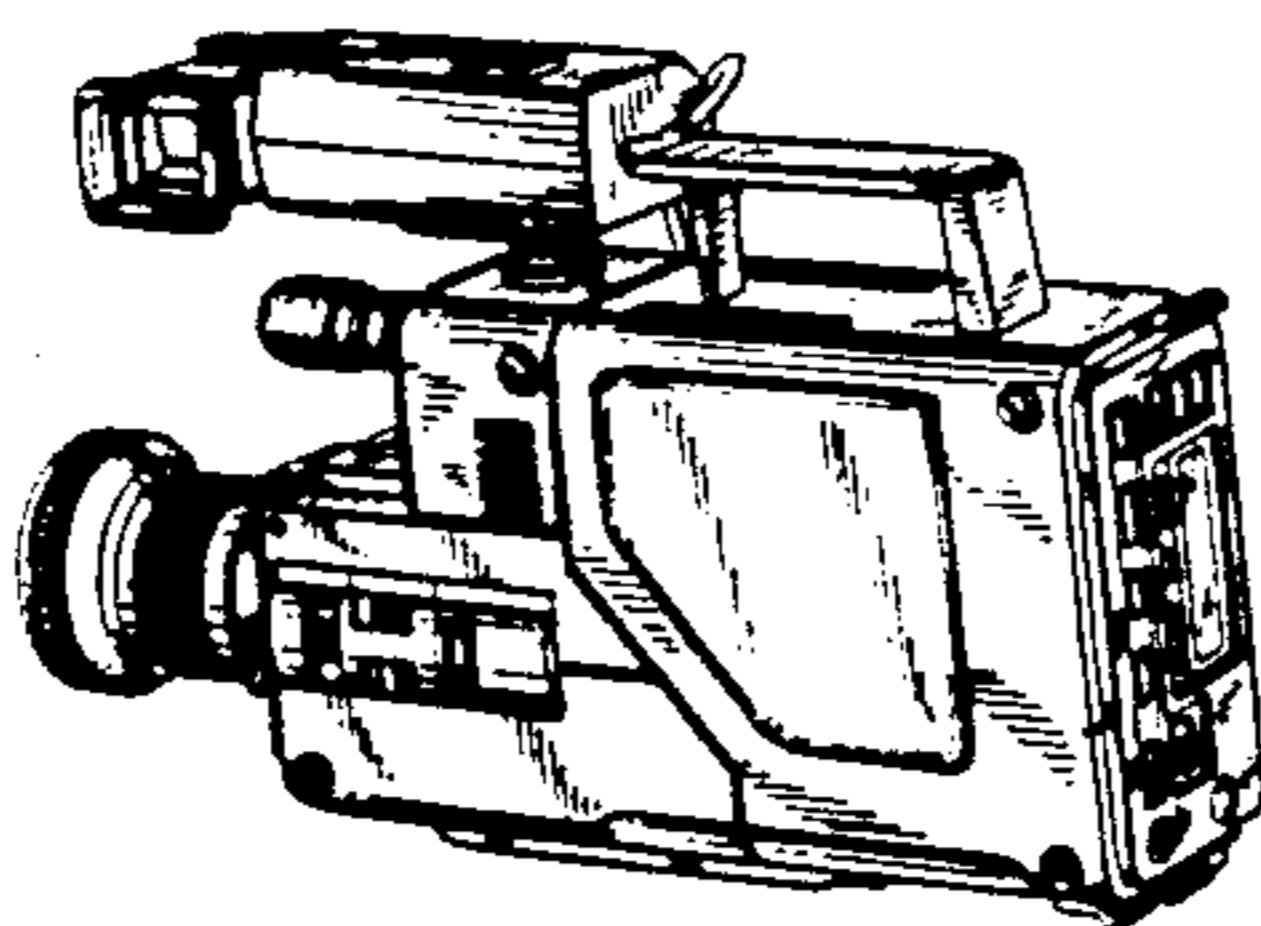
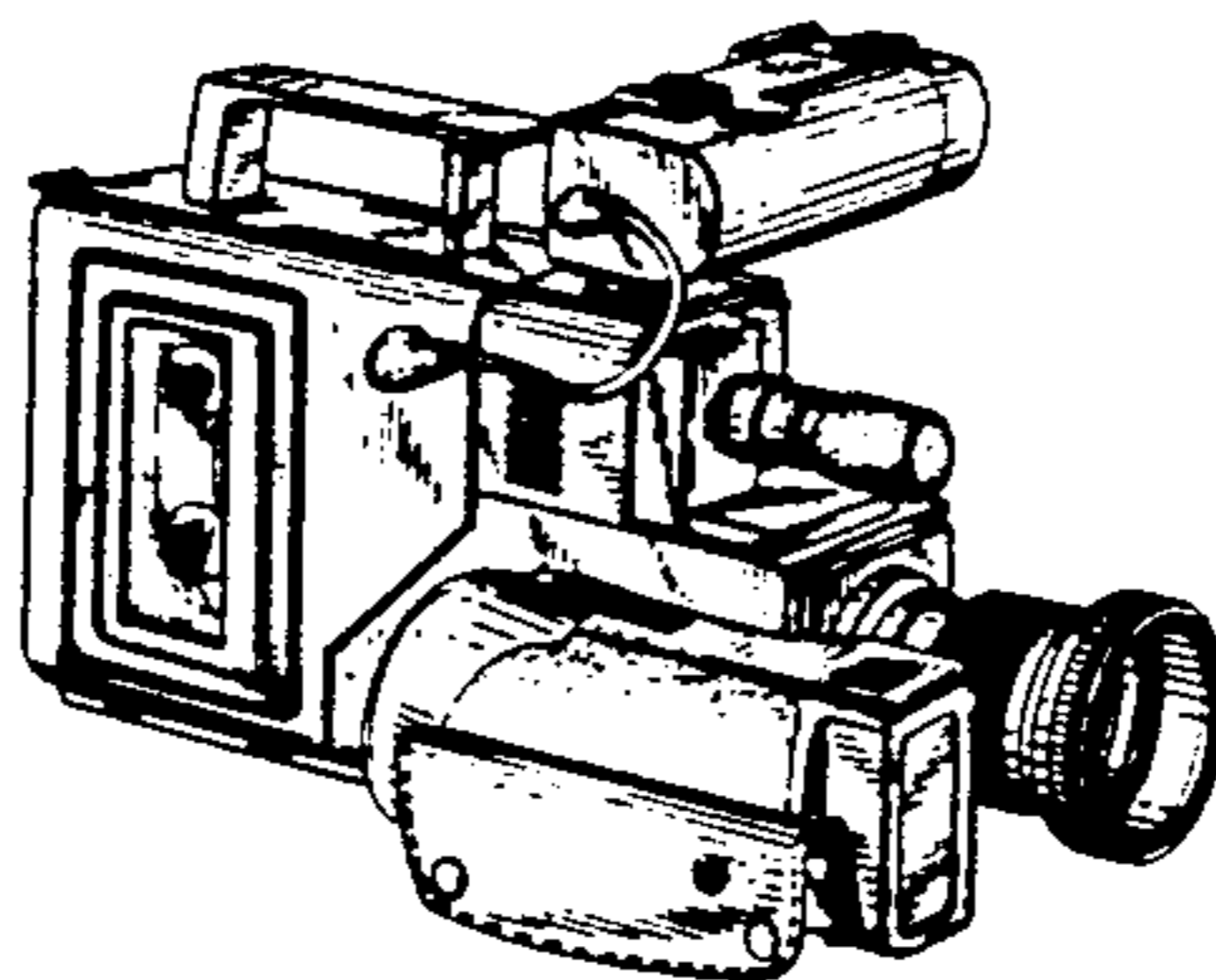
FIG. 5 is a left-side elevational view thereof;

FIG. 6 is a right-side elevational view thereof;

FIG. 7 is a top plan view thereof; and

FIG. 8 is a bottom plan view thereof.

The viewfinder is rotatably movable relative to the body of the combined camera and tape recorder.



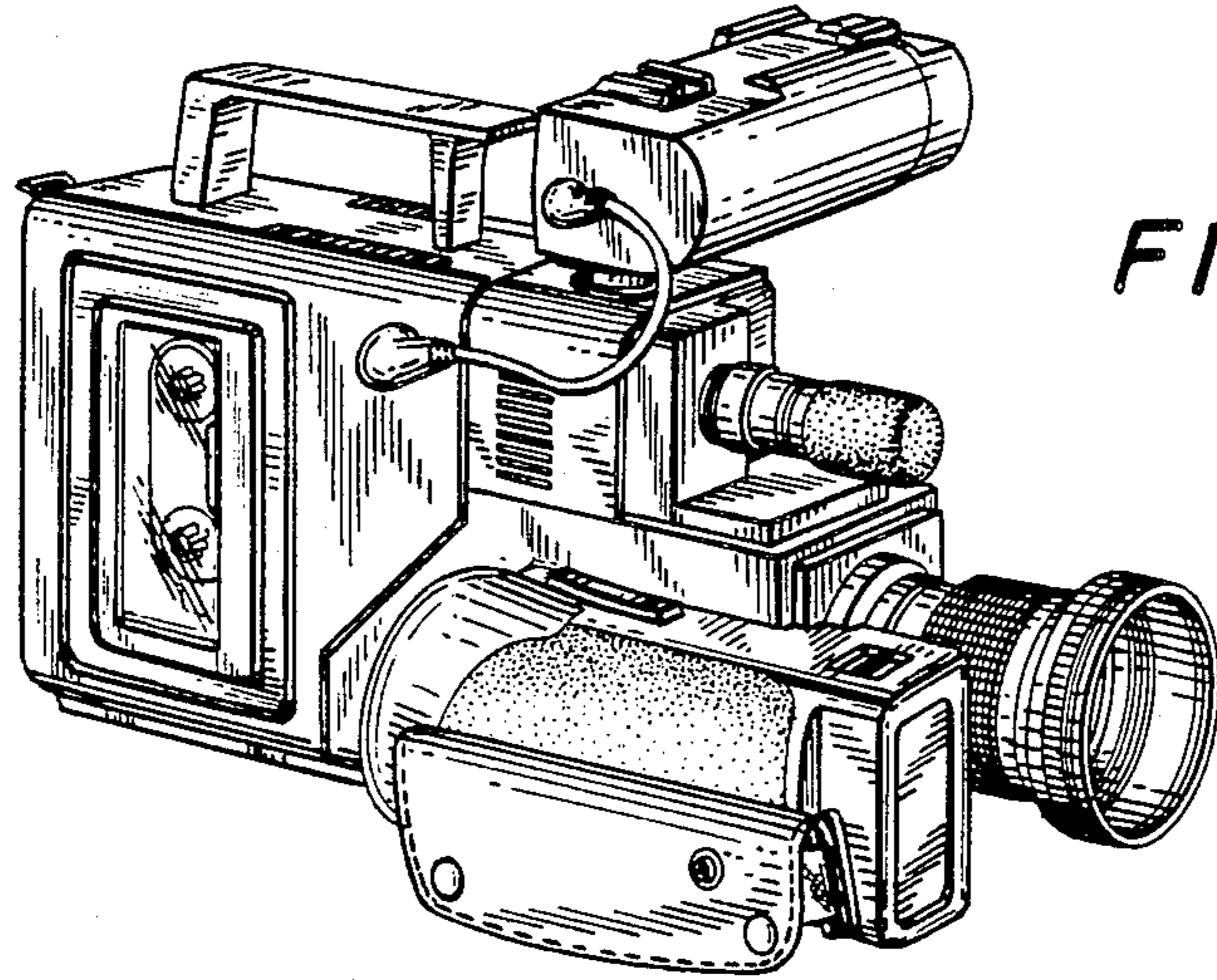


FIG. 1

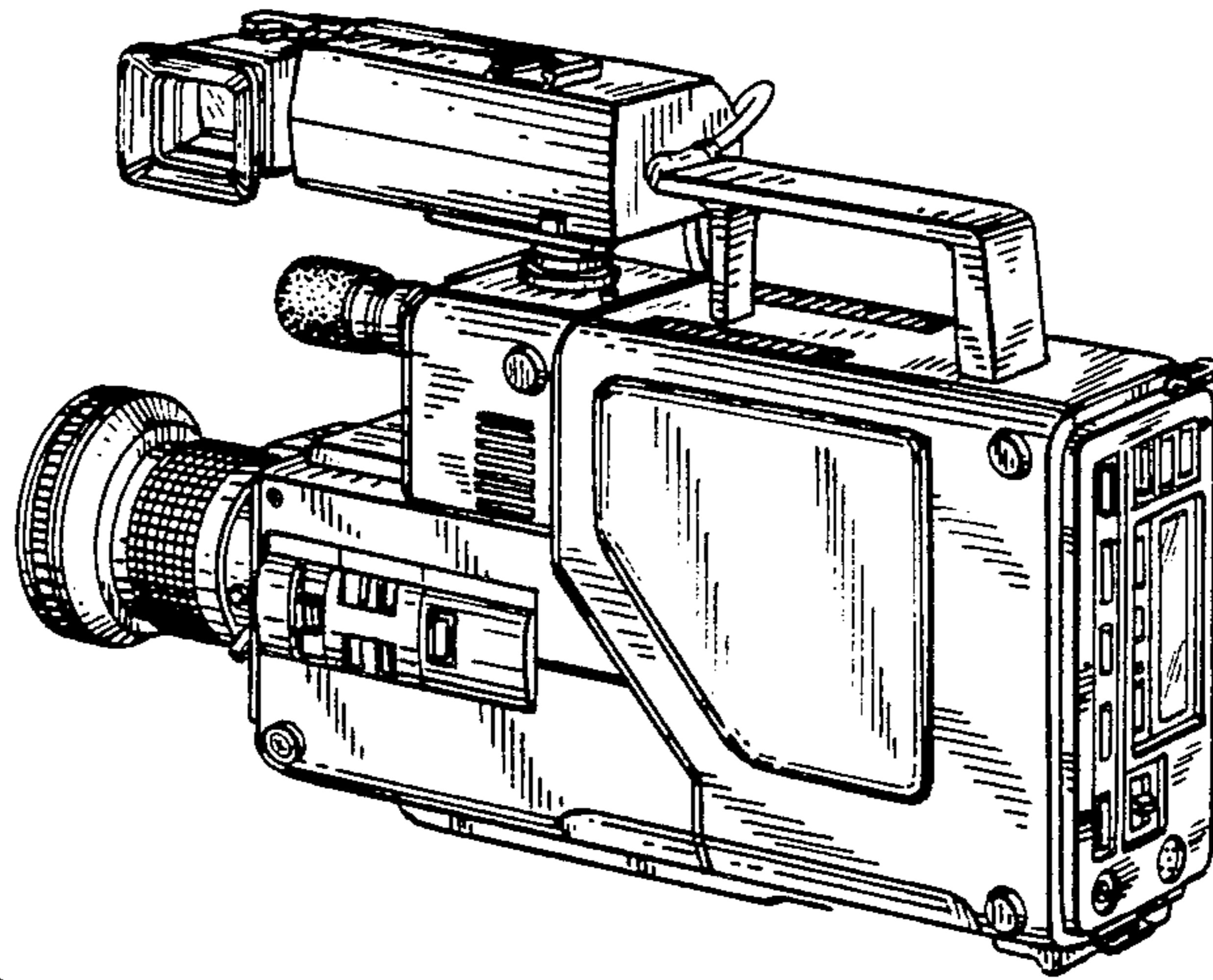


FIG. 2

FIG. 3

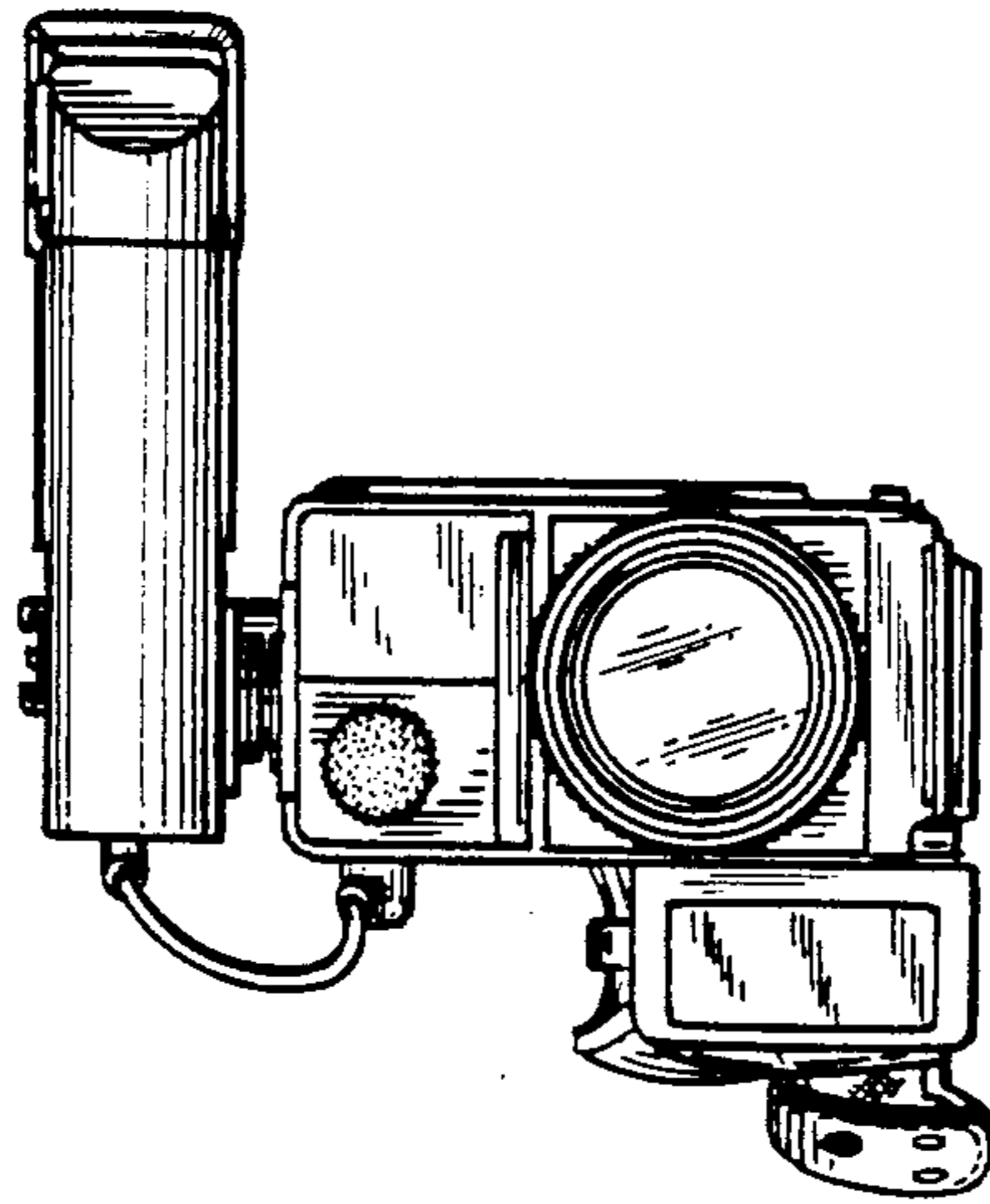


FIG. 5

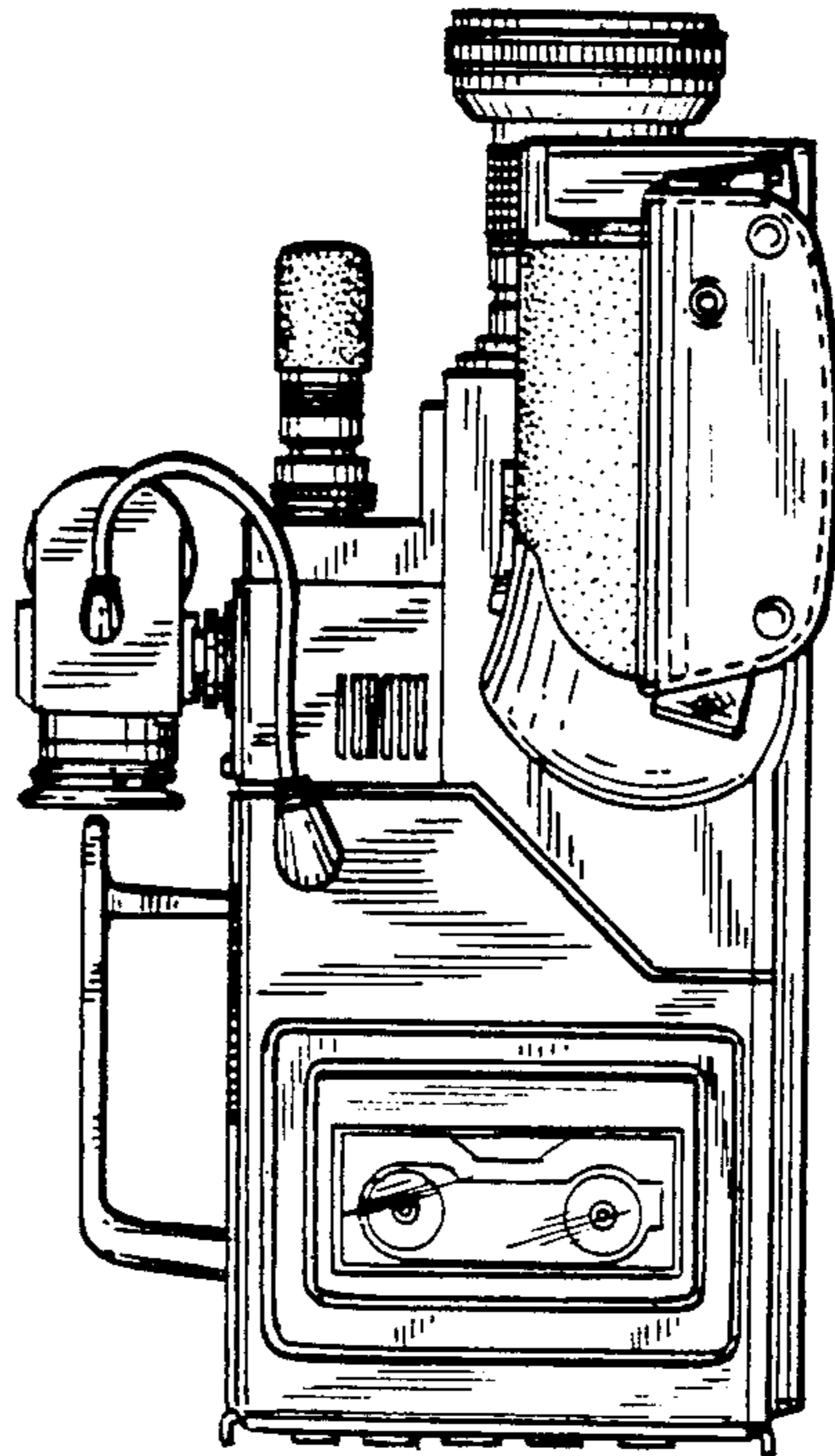


FIG. 4

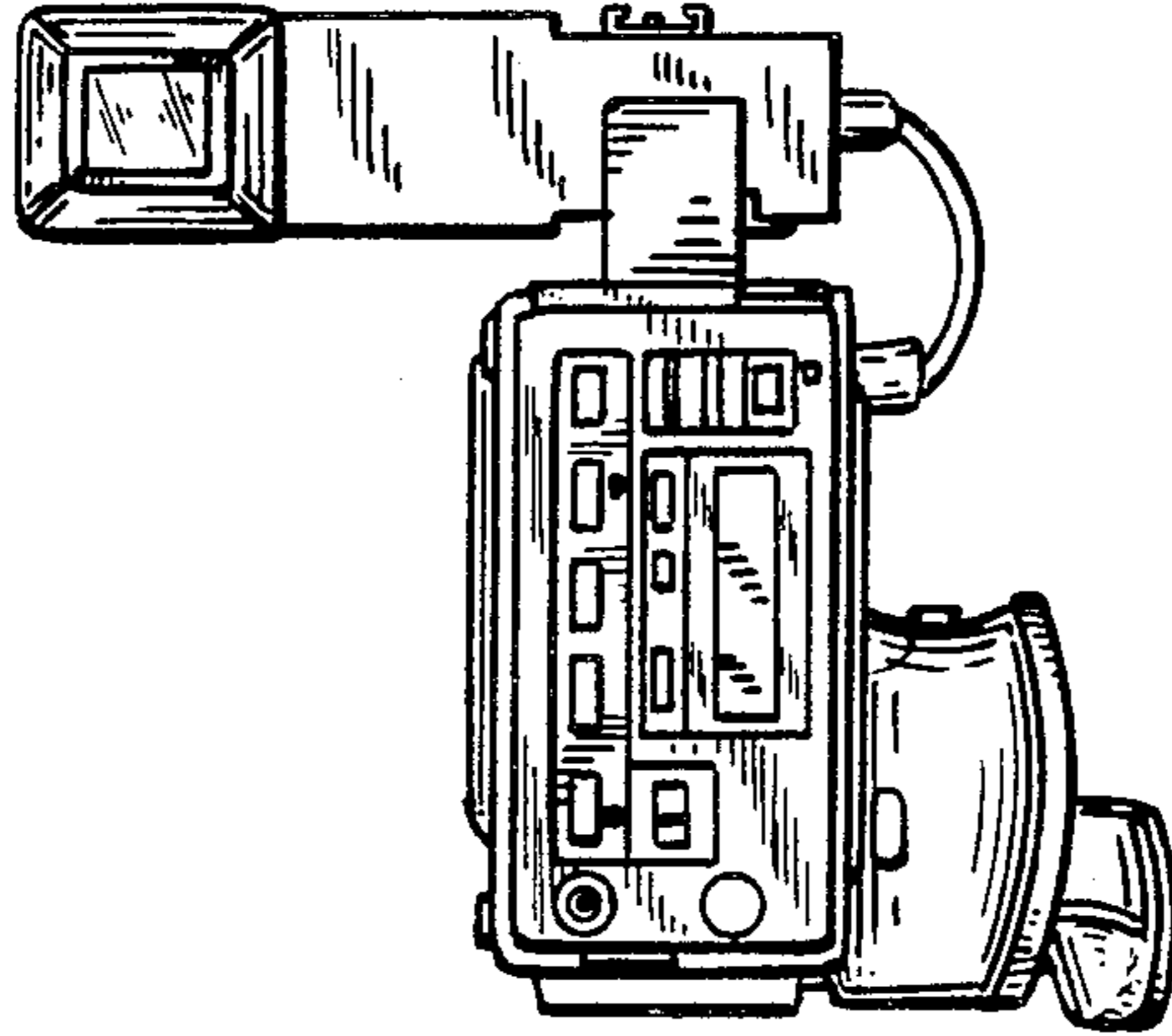


FIG. 8

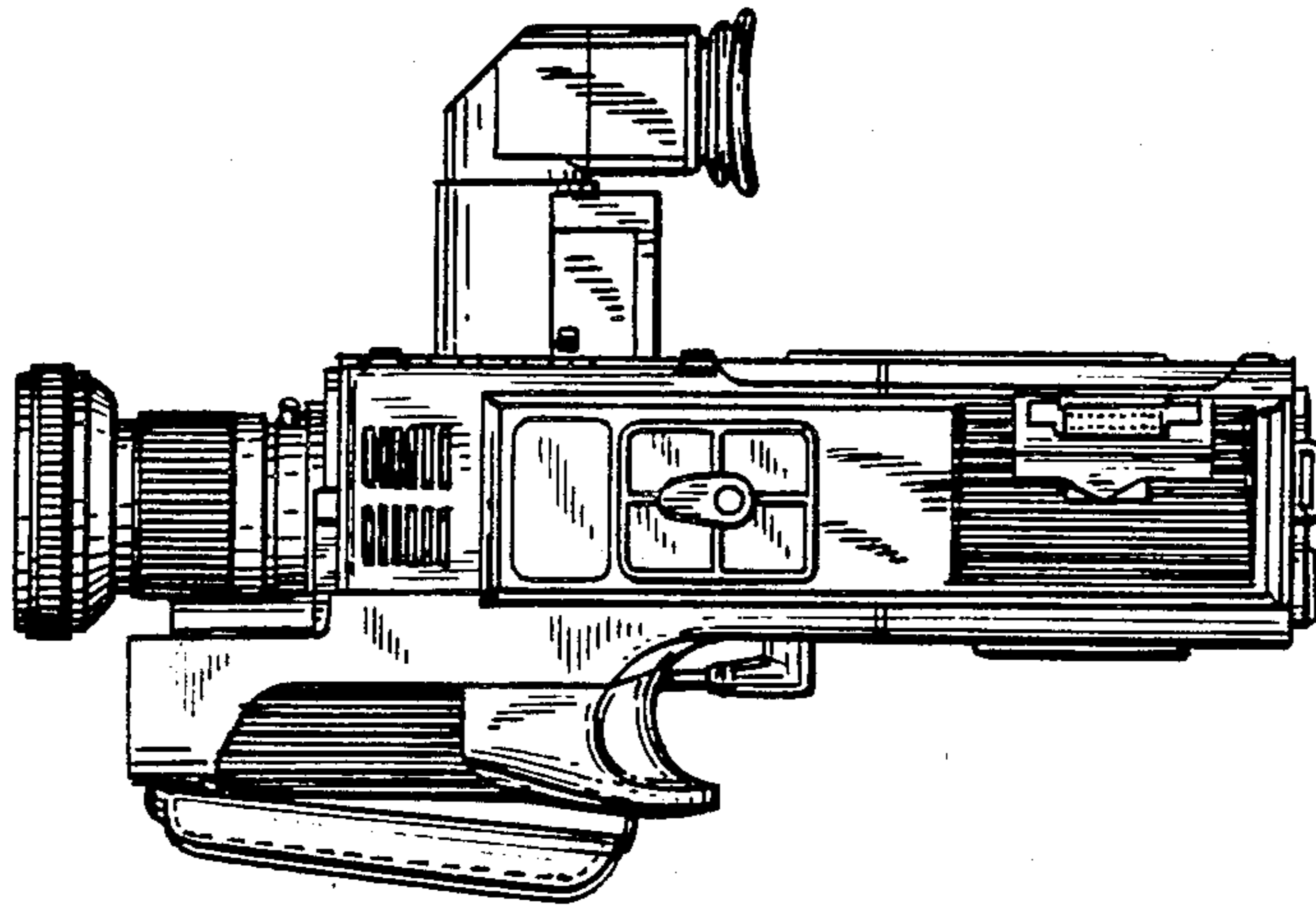




FIG. 6

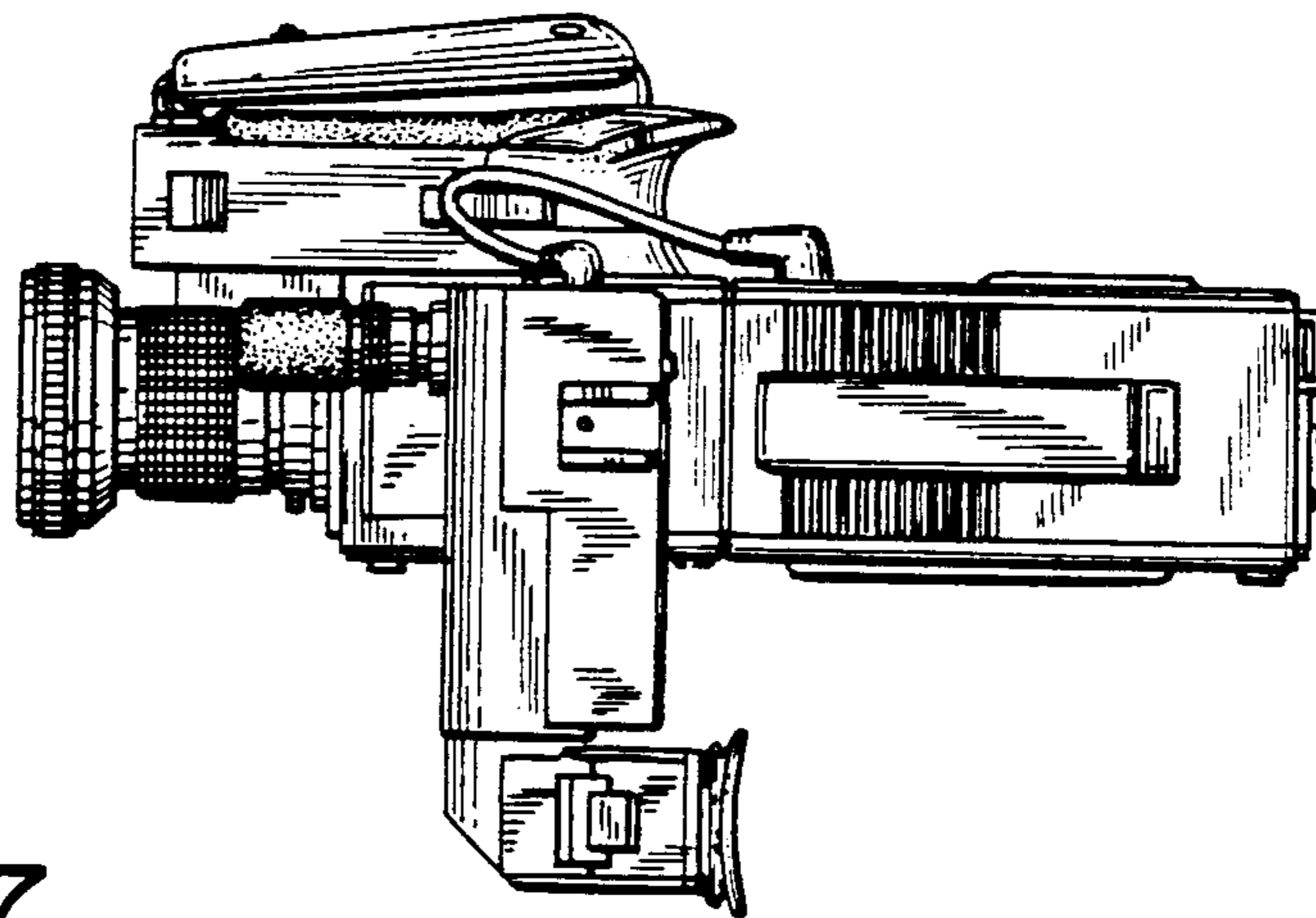
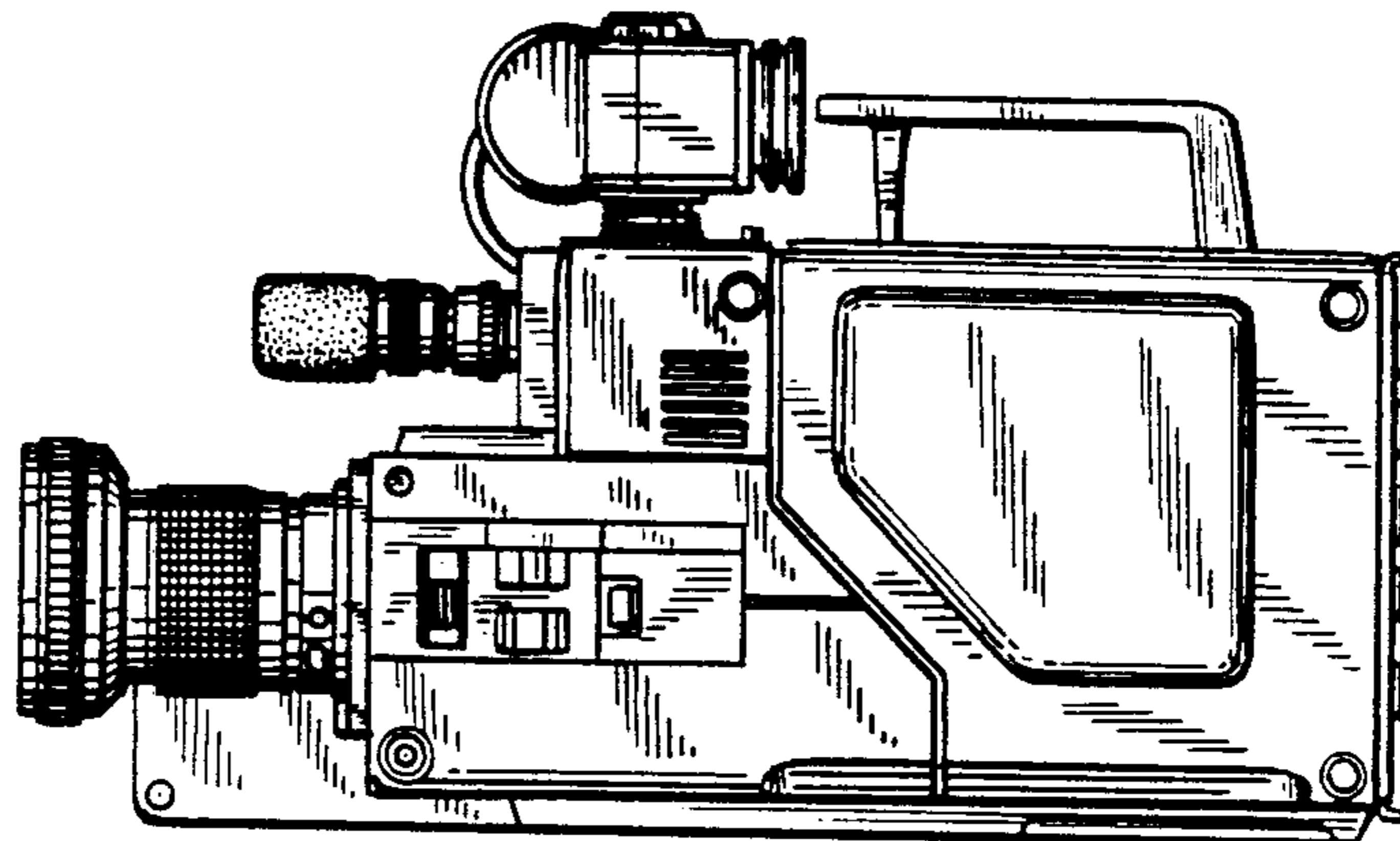


FIG. 7