

United States Patent [19]

Maard

[11] Patent Number: Des. 293,776

[45] Date of Patent: ** Jan. 19, 1988

[54] STROLLER

[75] Inventor: Torbjörn Maard, Enskede, Sweden

[73] Assignee: Alvema Aktiebolag, Bromma, Sweden

[**] Term: 14 Years

[21] Appl. No.: 807,491

[22] Filed: Dec. 10, 1985

[52] U.S. Cl. D12/129

[58] Field of Search D12/129, 130; 280/642, 280/644, 647, 650, 658; 297/45, 39

[56] References Cited

U.S. PATENT DOCUMENTS

D. 160,598 10/1950 Heideman D12/129
D. 288,545 3/1987 Daykin D12/129

3,797,848 3/1974 Burnham 280/644
4,032,173 6/1977 Clegg 280/650

FOREIGN PATENT DOCUMENTS

2091648 8/1982 United Kingdom 280/650

Primary Examiner—James M. Gandy

Assistant Examiner—Kay H. Chin

Attorney, Agent, or Firm—Young & Thompson

[57] CLAIM

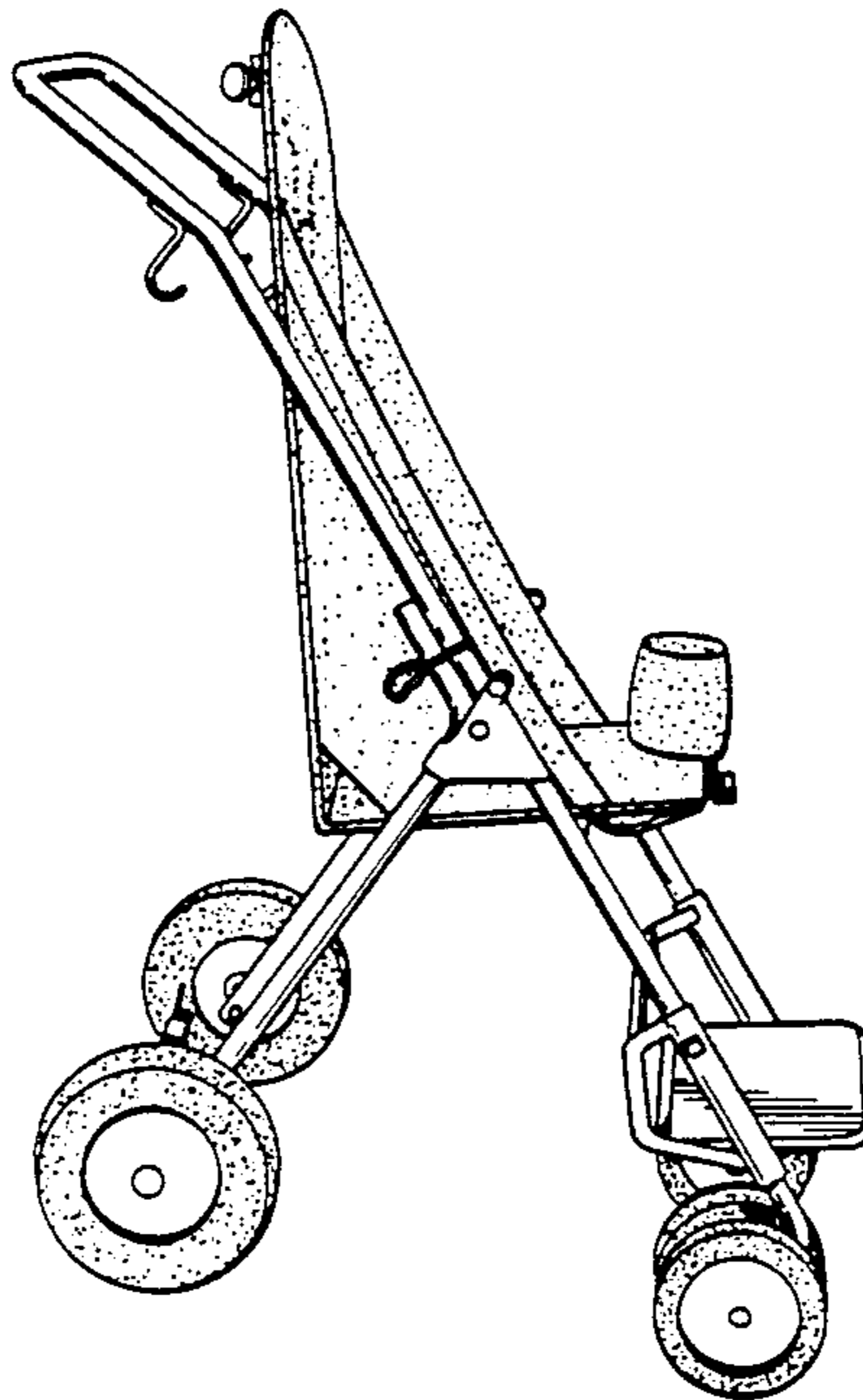
The ornamental design for a stroller, as shown and described.

DESCRIPTION

FIG. 1 is a side perspective view of a stroller showing my new design, the opposite side view being a mirror image of that shown;

FIG. 2 is a rear perspective view thereof;

FIG. 3 is a front perspective view thereof.



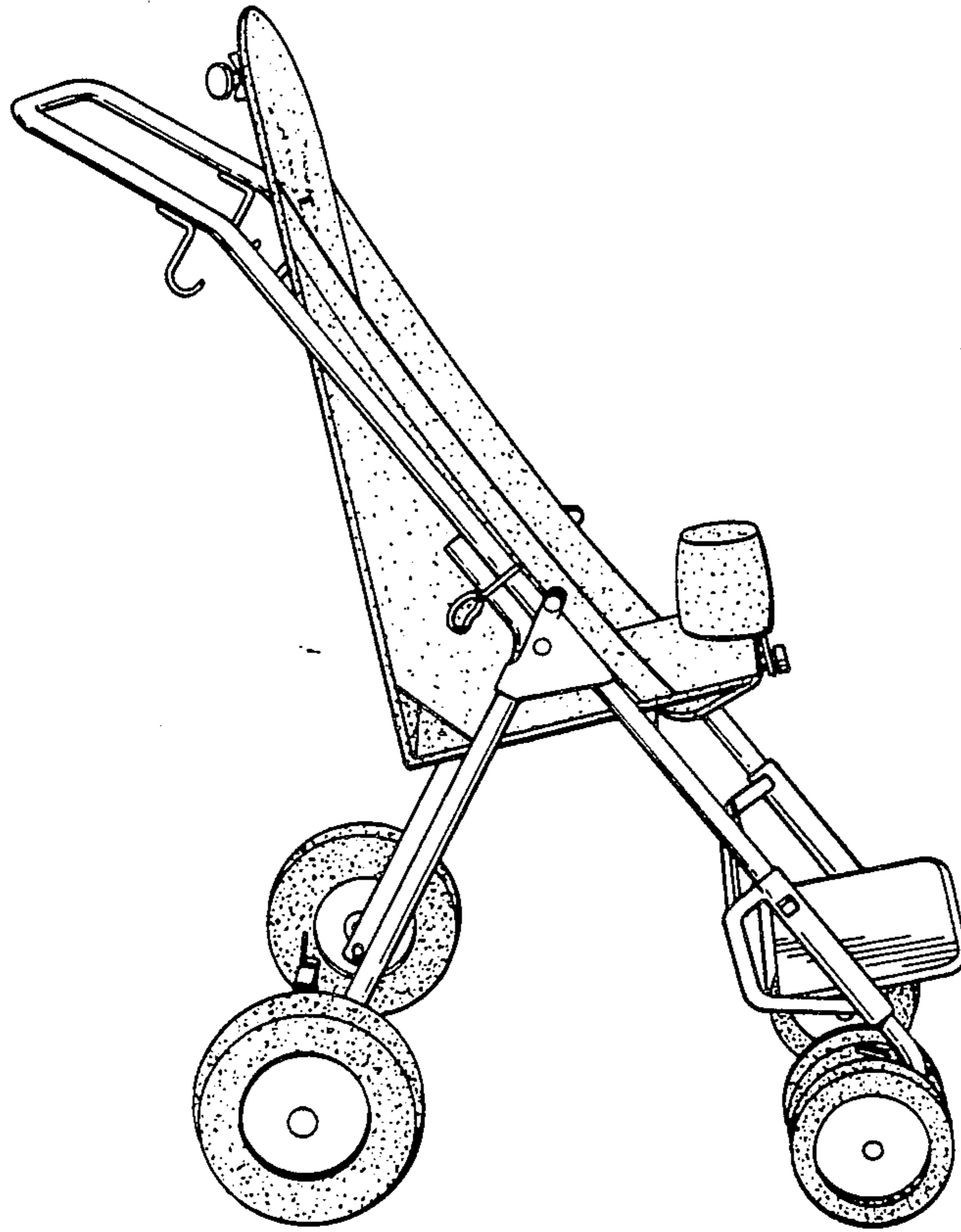


FIG. 1

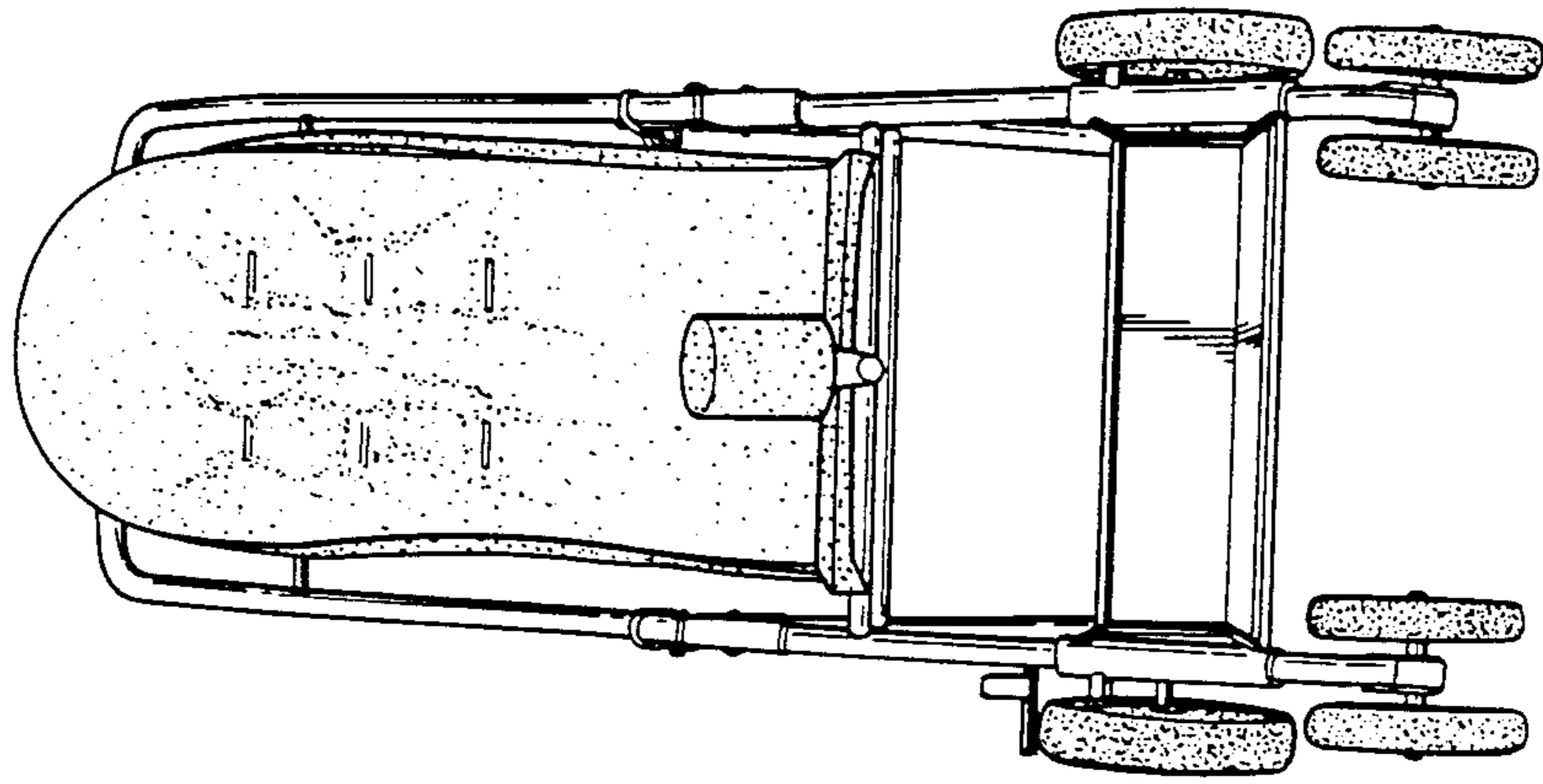


FIG. 3

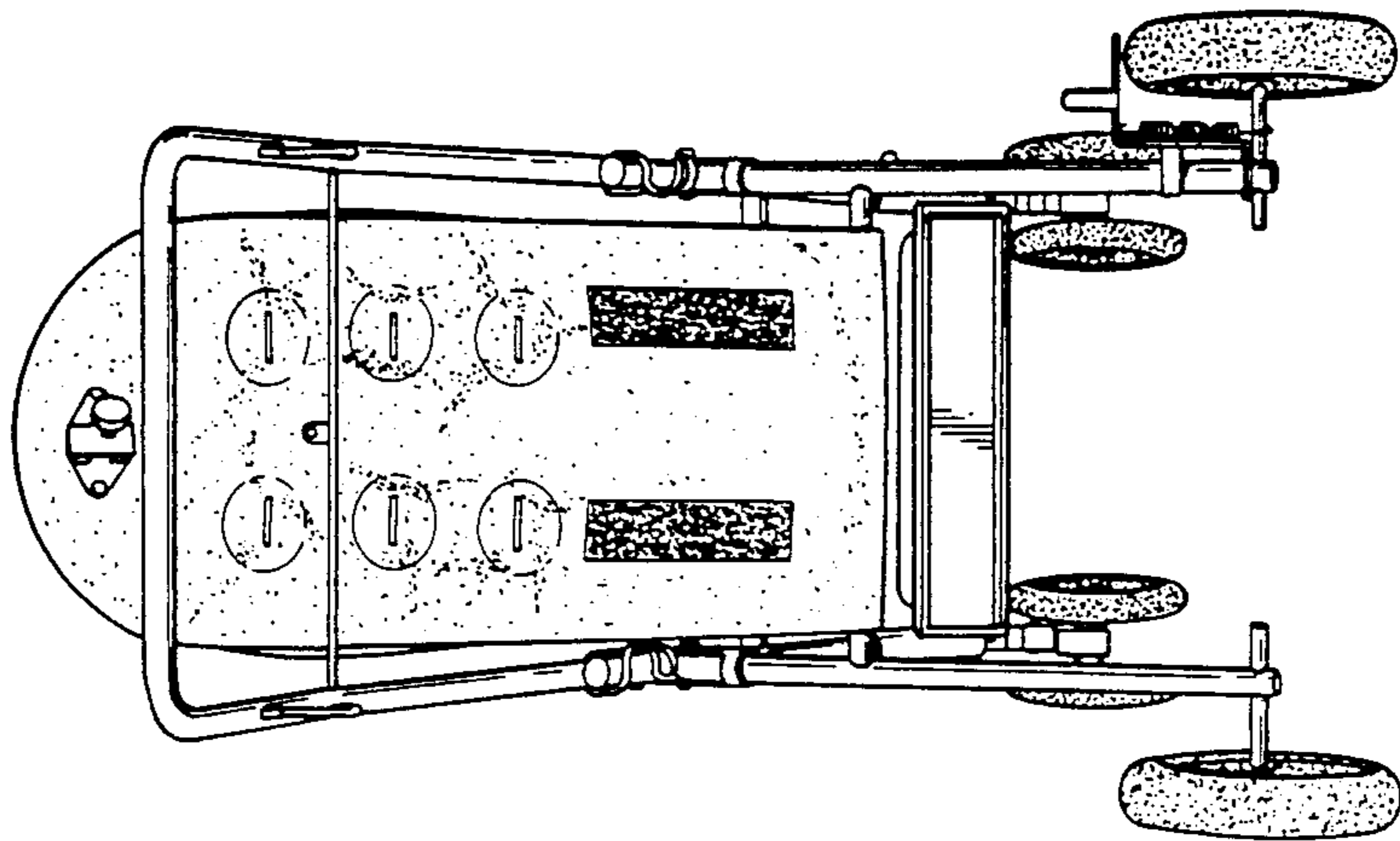


FIG. 2