

[54] FOOD TRAY

[76] Inventor: Frank C. Powers, 24 Peterson Dr., Storm Lake, Iowa 50588

[**] Term: 14 Years

[21] Appl. No.: 754,404

[22] Filed: Jul. 12, 1985

[52] U.S. Cl. D9/347; D7/38

[58] Field of Search D9/341, 345, 347, 425; D7/37, 38; 206/557, 561, 562, 563; 220/20, 21, 22

[56] References Cited

U.S. PATENT DOCUMENTS

| | | | | |
|------------|---------|-----------------|-------|----------|
| D. 113,836 | 3/1939 | Dixon | | D7/38 |
| D. 195,682 | 7/1963 | Grogel | | D9/347 X |
| D. 218,514 | 8/1970 | Fossella et al. | | D9/347 |
| D. 222,668 | 11/1971 | Gregor | | D9/347 |
| D. 222,852 | 1/1972 | Goins | | D9/347 |
| D. 227,041 | 5/1973 | Link | | D9/347 |
| D. 255,310 | 6/1980 | Spencer | | D7/38 |
| D. 278,254 | 4/1985 | Evenson | | D9/341 X |
| 3,381,876 | 5/1968 | Biggins | | D7/38 X |

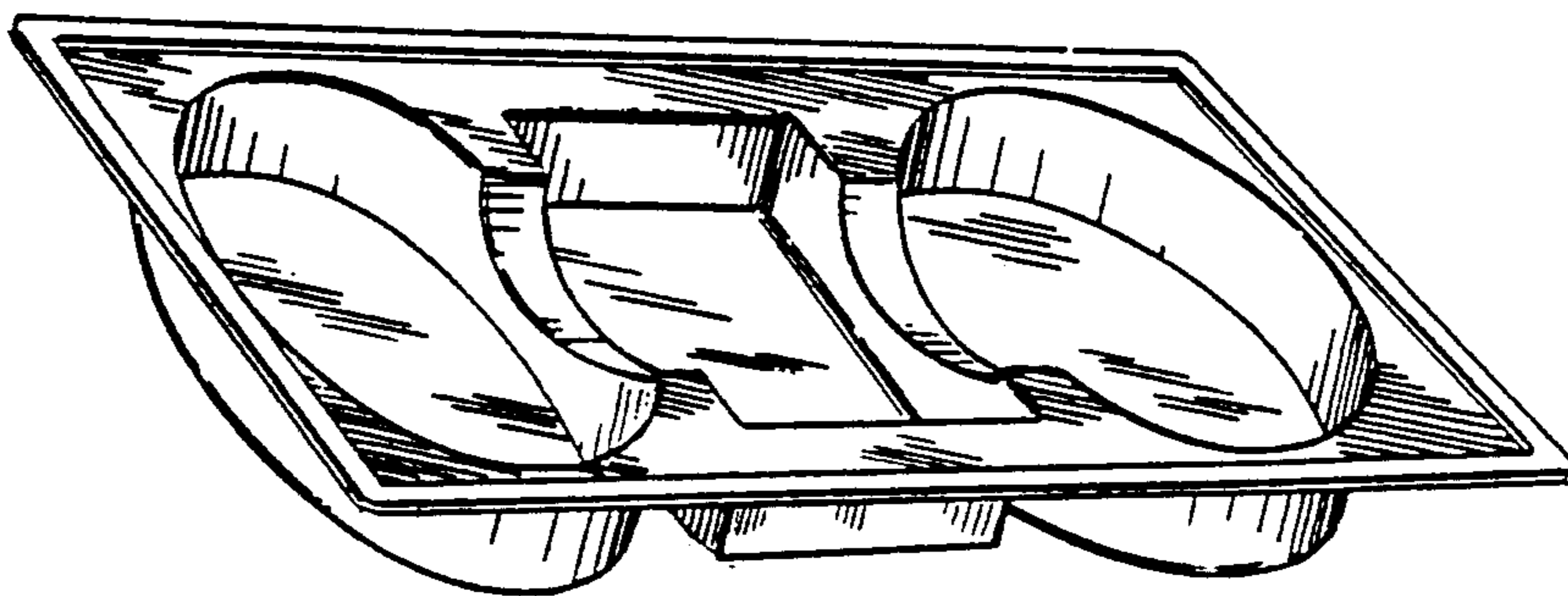
Primary Examiner—Robert C. Spangler
Attorney, Agent, or Firm—Price, Heneveld, Cooper,
Dewitt & Litton

[57] CLAIM

The ornamental design for a food tray, substantially as shown and described.

DESCRIPTION

FIG. 1 is a perspective view of a food tray showing my new design;
 FIG. 2 is a top plan view thereof;
 FIG. 3 is a bottom plan view thereof;
 FIG. 4 is a side elevational view thereof;
 FIG. 5 is an end elevational view thereof;
 FIG. 6 is a perspective view showing a modified form of my new design;
 FIG. 7 is a side elevational view thereof;
 FIG. 8 is a perspective view showing another modified form of my new design;
 FIG. 9 is a perspective view showing another modified form of my new design;
 FIG. 10 is a perspective view showing another modified form of my new design;
 FIG. 11 is a top plan view thereof;
 FIG. 12 is a side elevational view thereof;
 FIG. 13 is an end elevational view thereof;
 FIG. 14 is a perspective view showing another modified form of my new design;
 FIG. 15 is a side elevational view thereof;
 FIG. 16 is a perspective view showing another modified form of my new design;
 FIG. 17 is a top plan view thereof;
 FIG. 18 is a side elevational view thereof; and
 FIG. 19 is an end elevational view thereof.



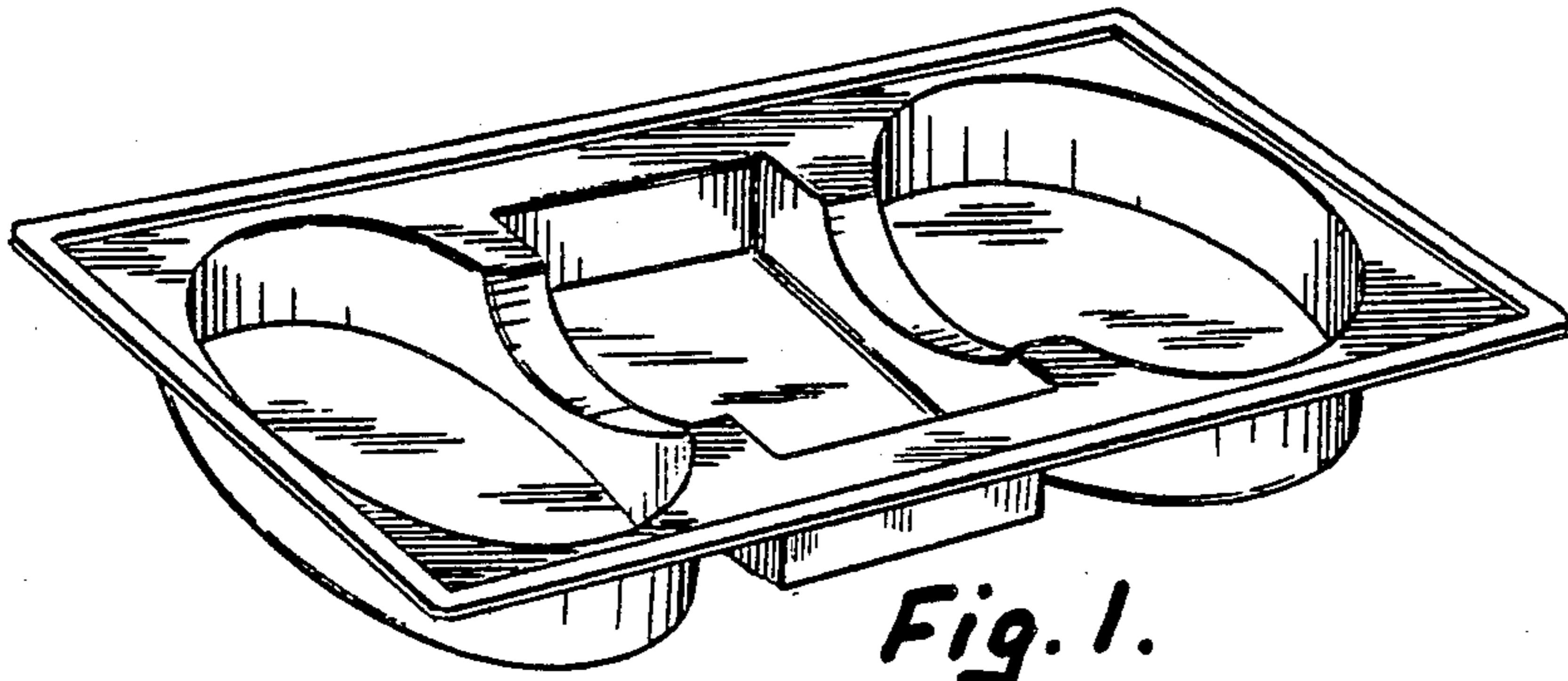


Fig. 1.

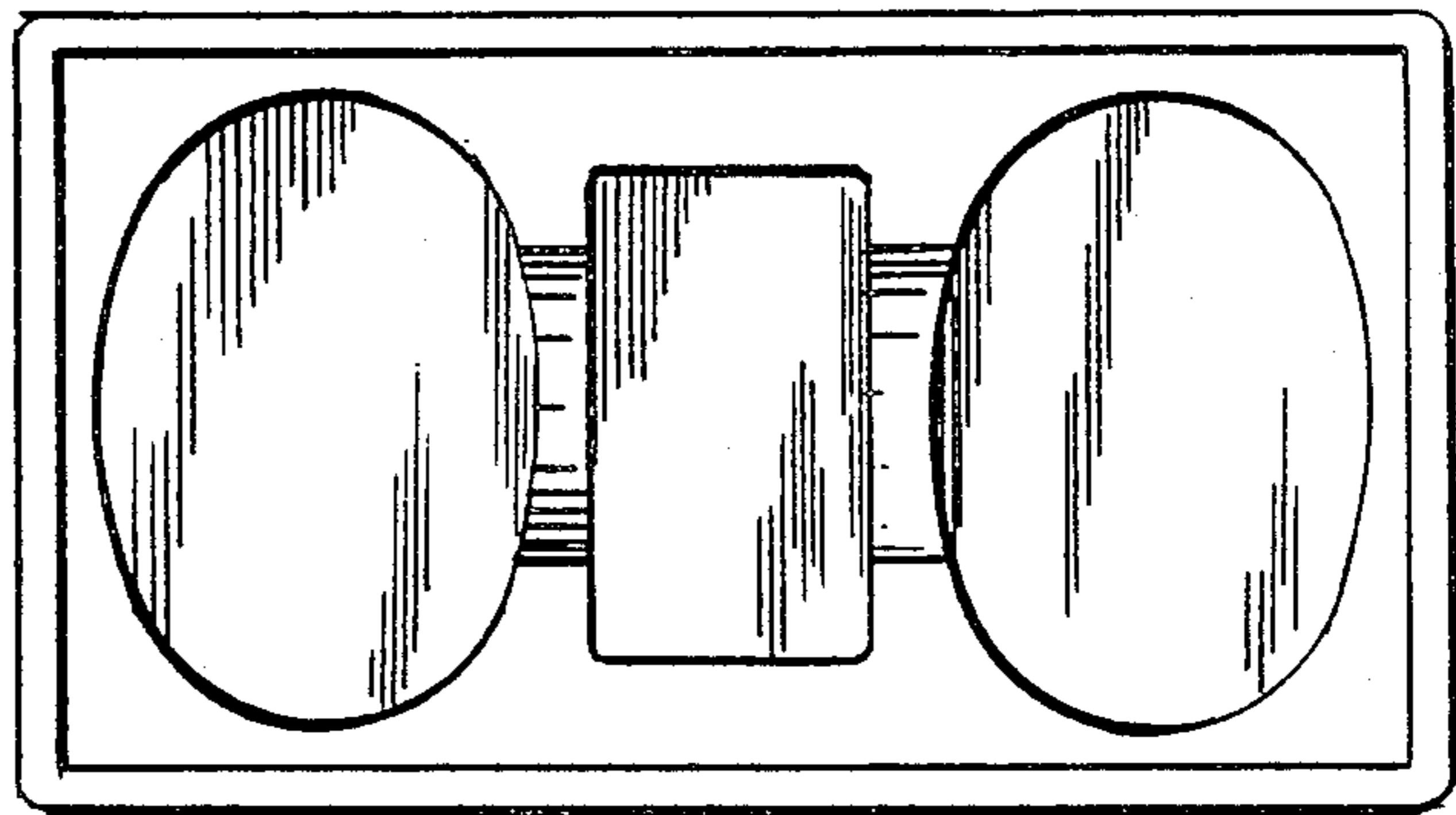


Fig. 2.

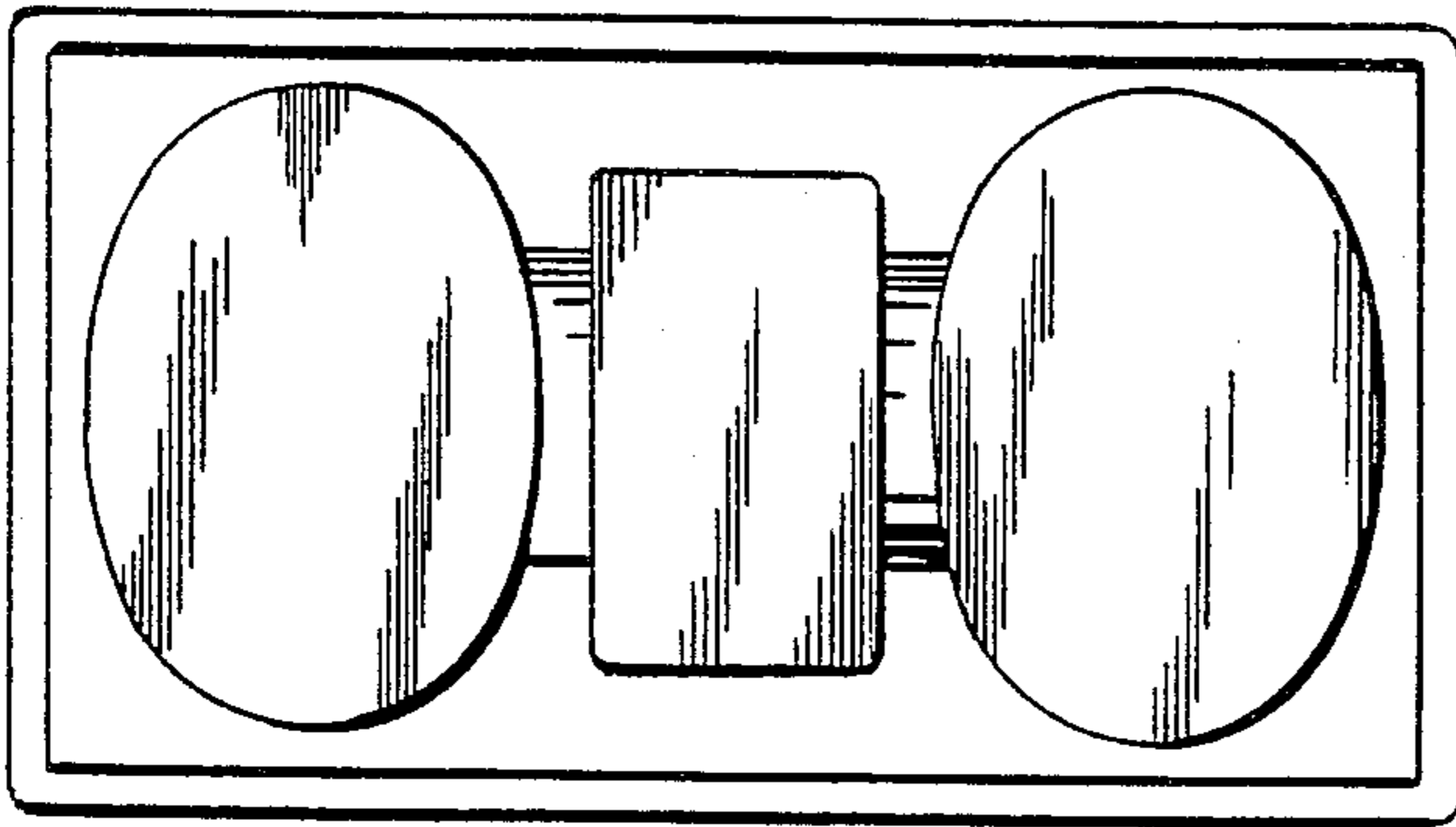


Fig. 3.

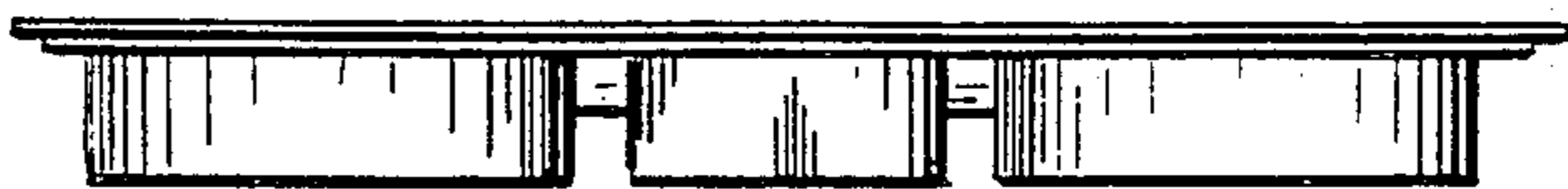


Fig. 4.

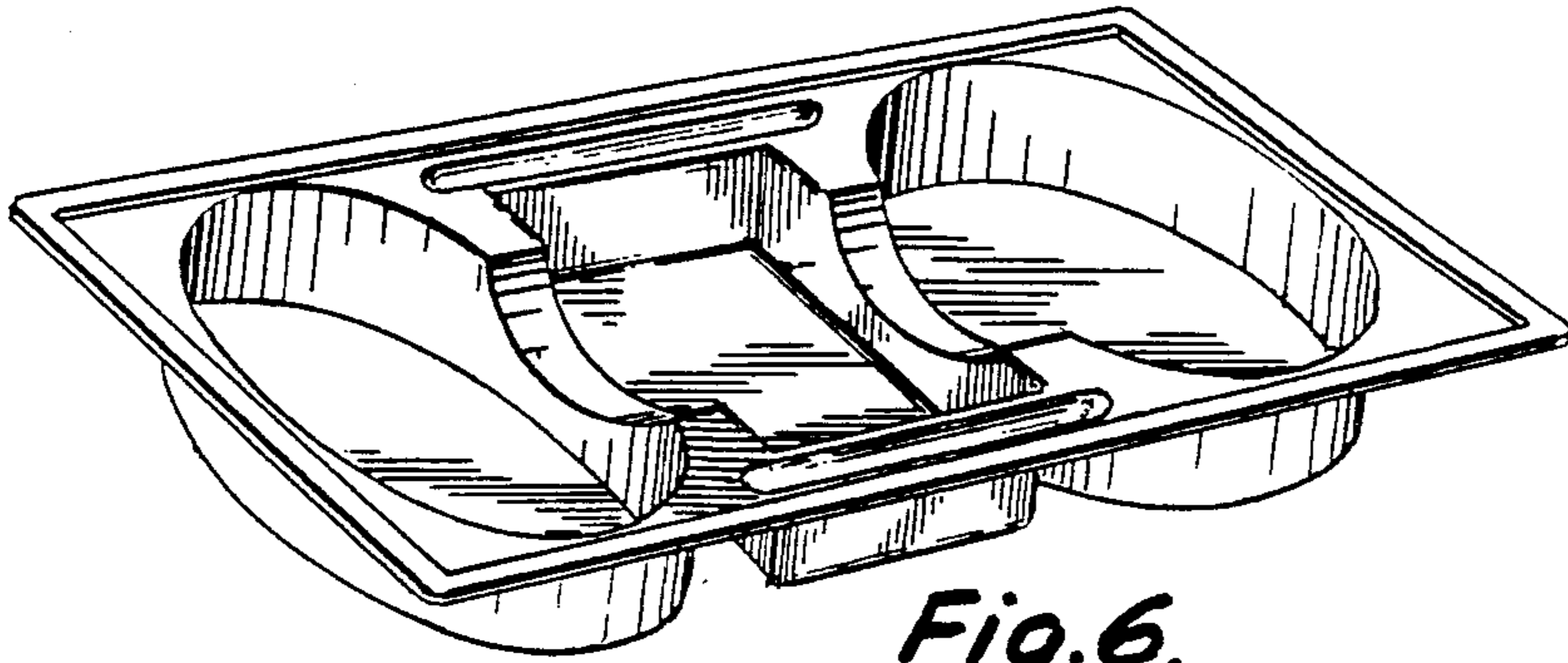


Fig. 6.

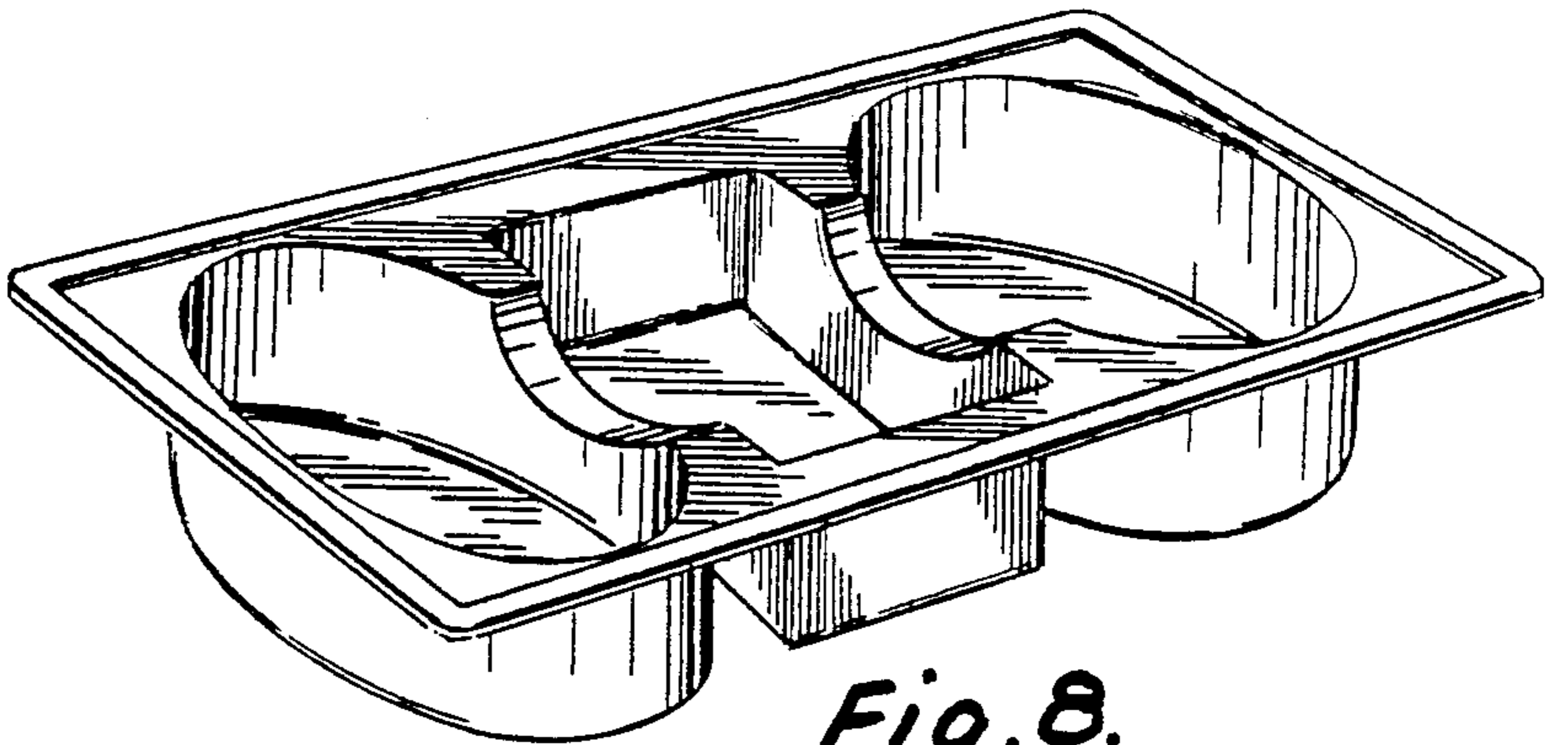


Fig. 8.

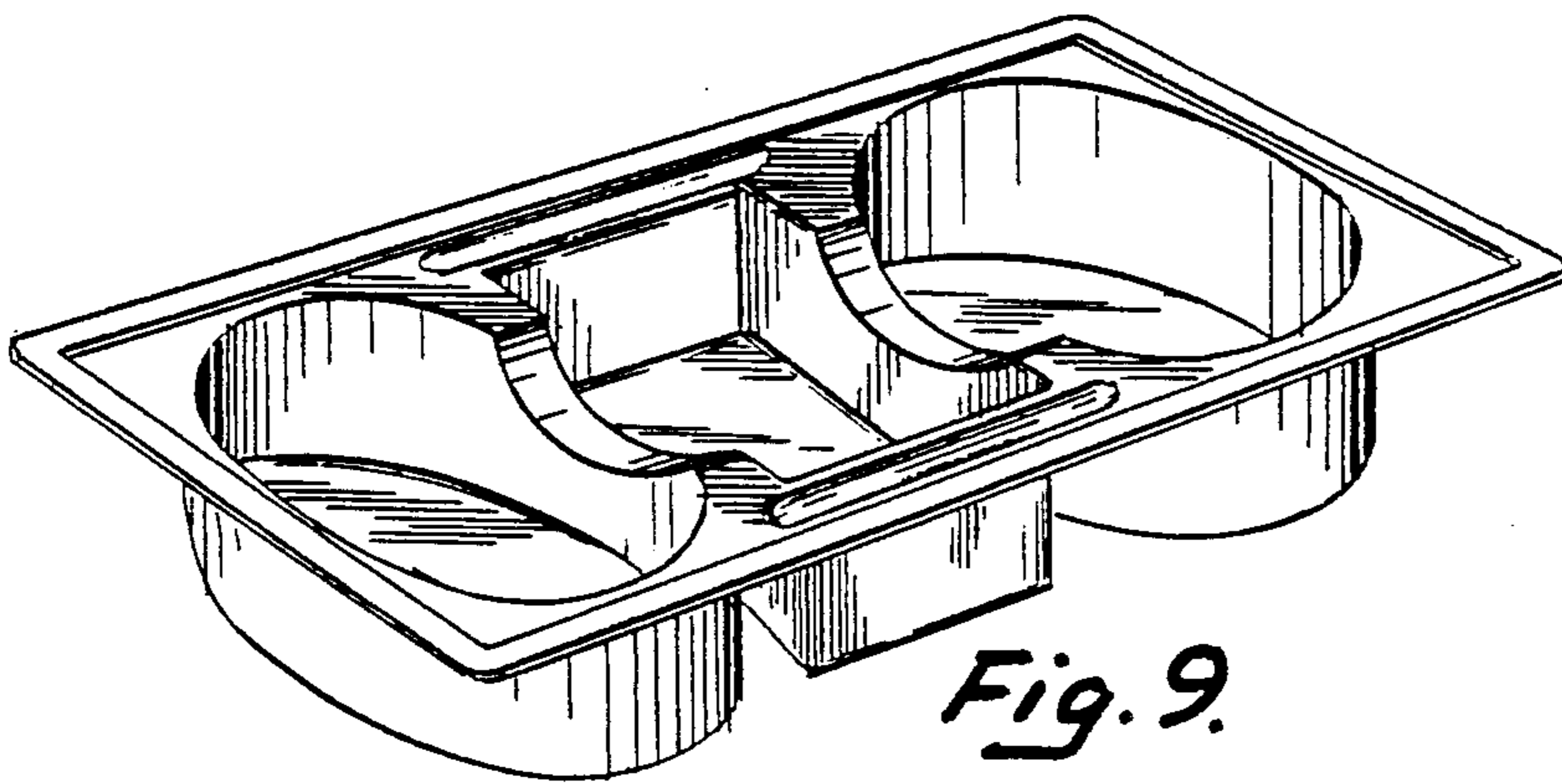


Fig. 9.

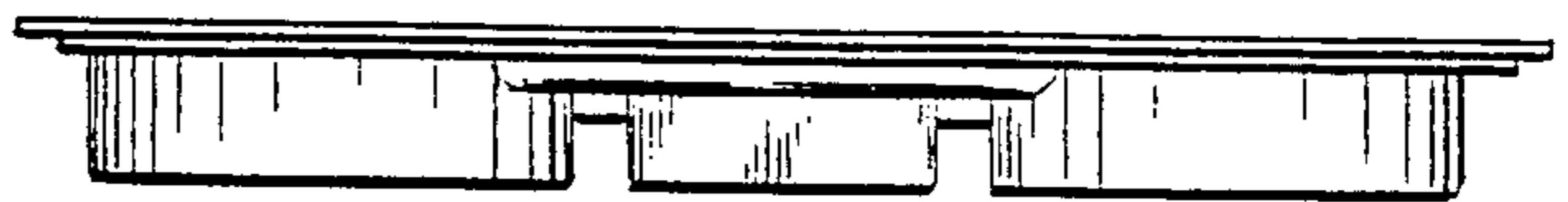


Fig. 7.

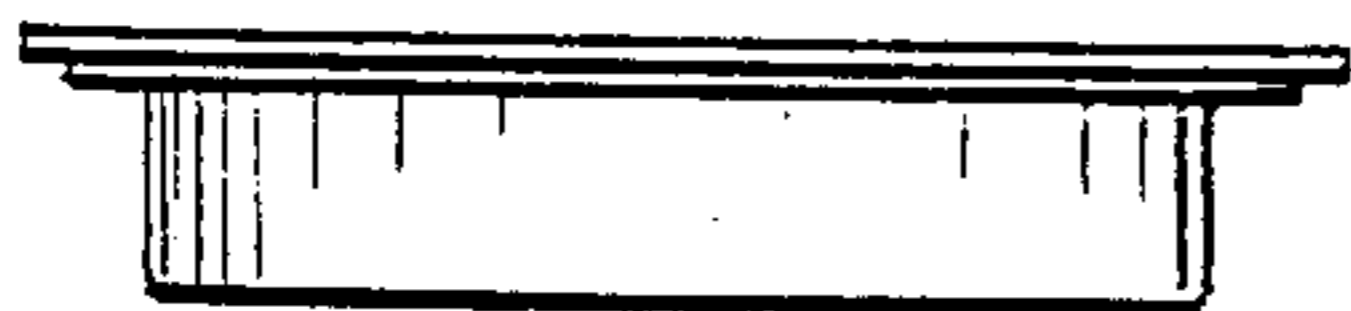


Fig. 5.

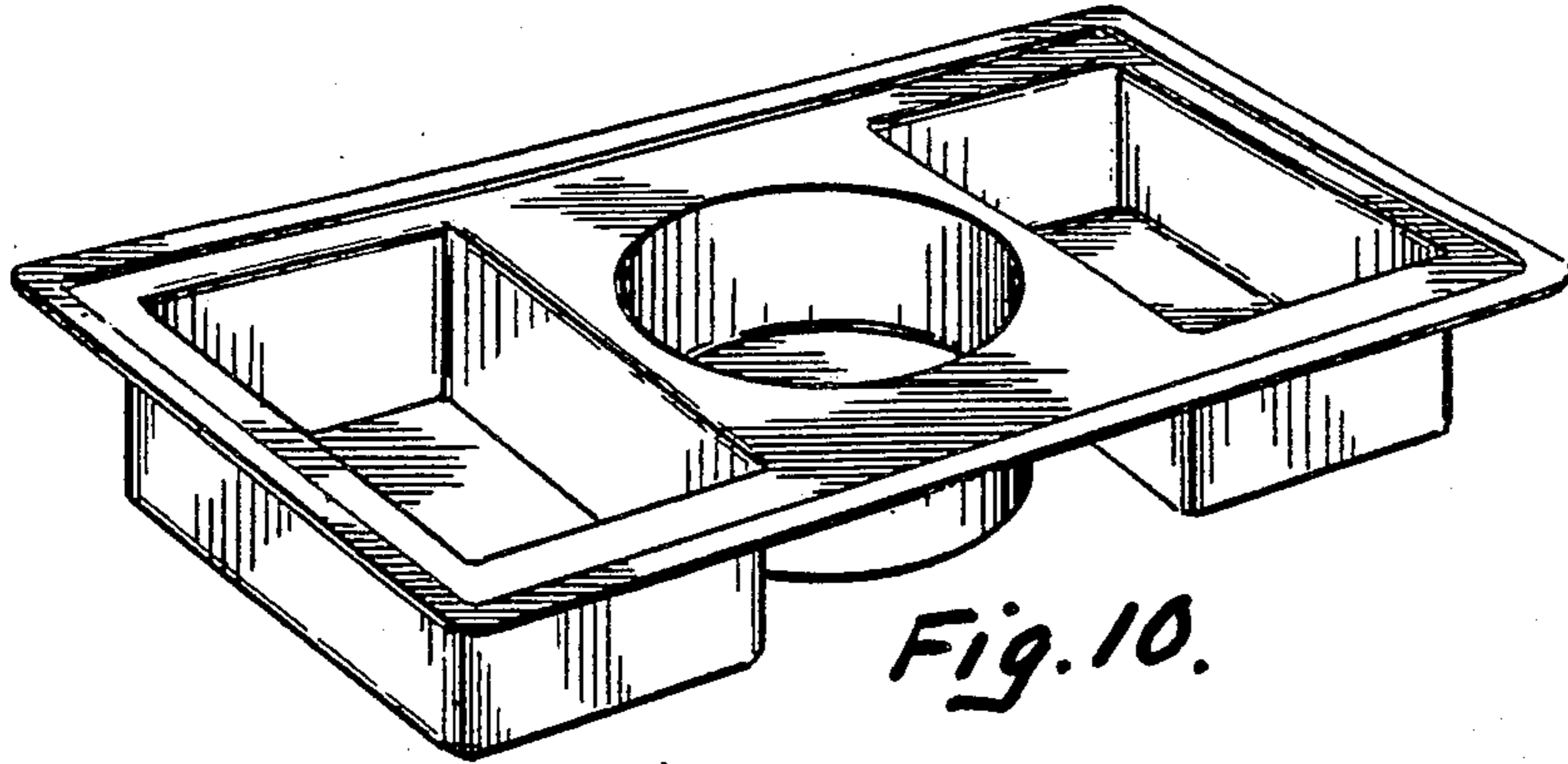


Fig. 10.

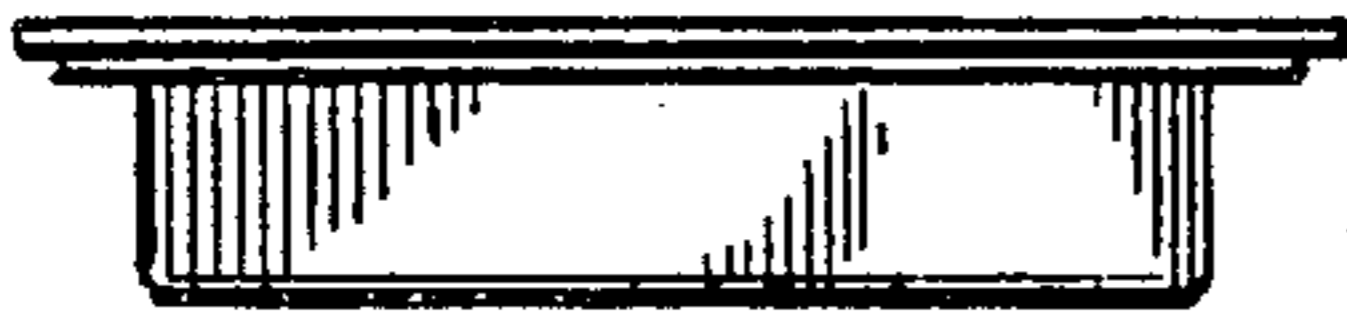


Fig. 13.

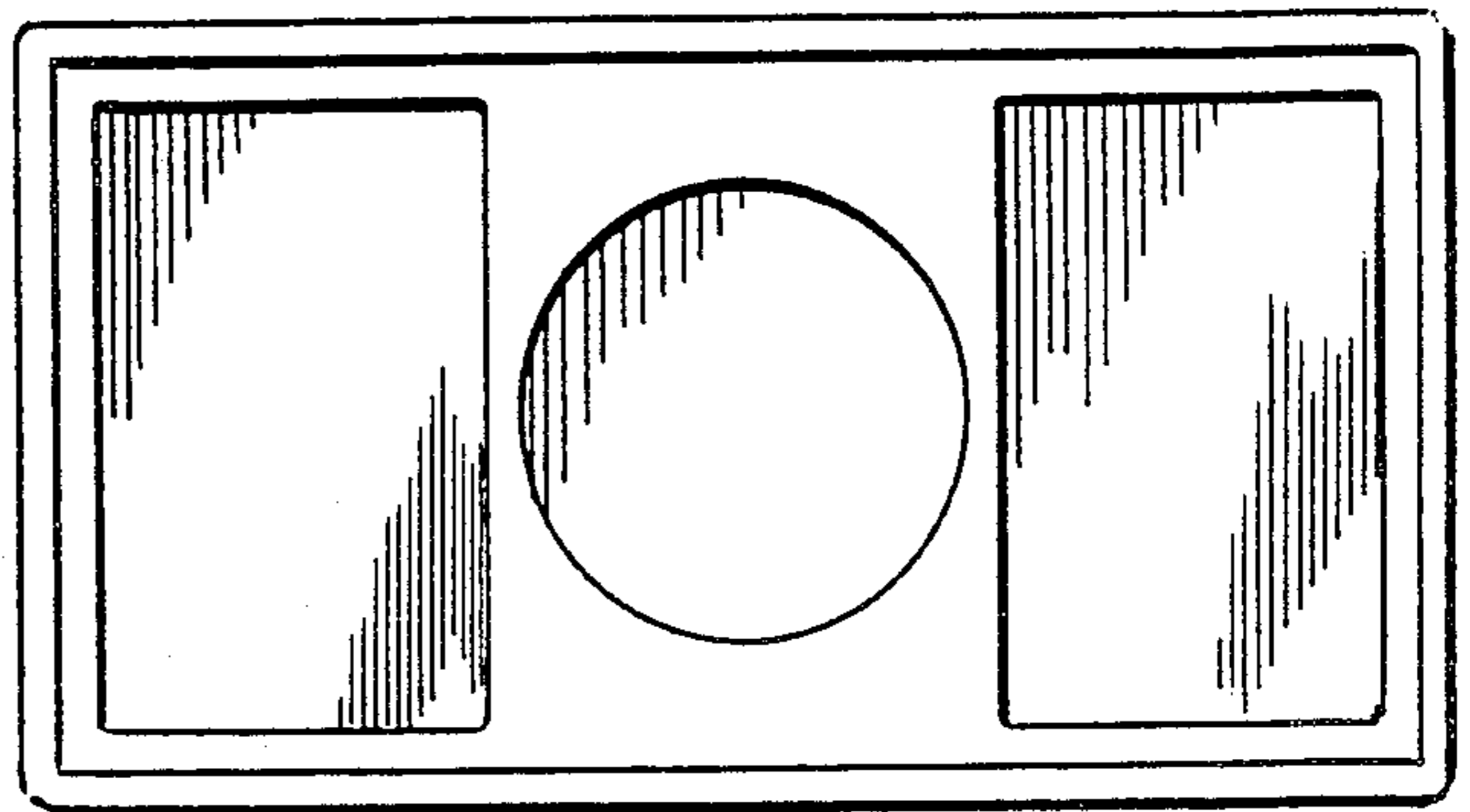


Fig. 11.



Fig. 12.

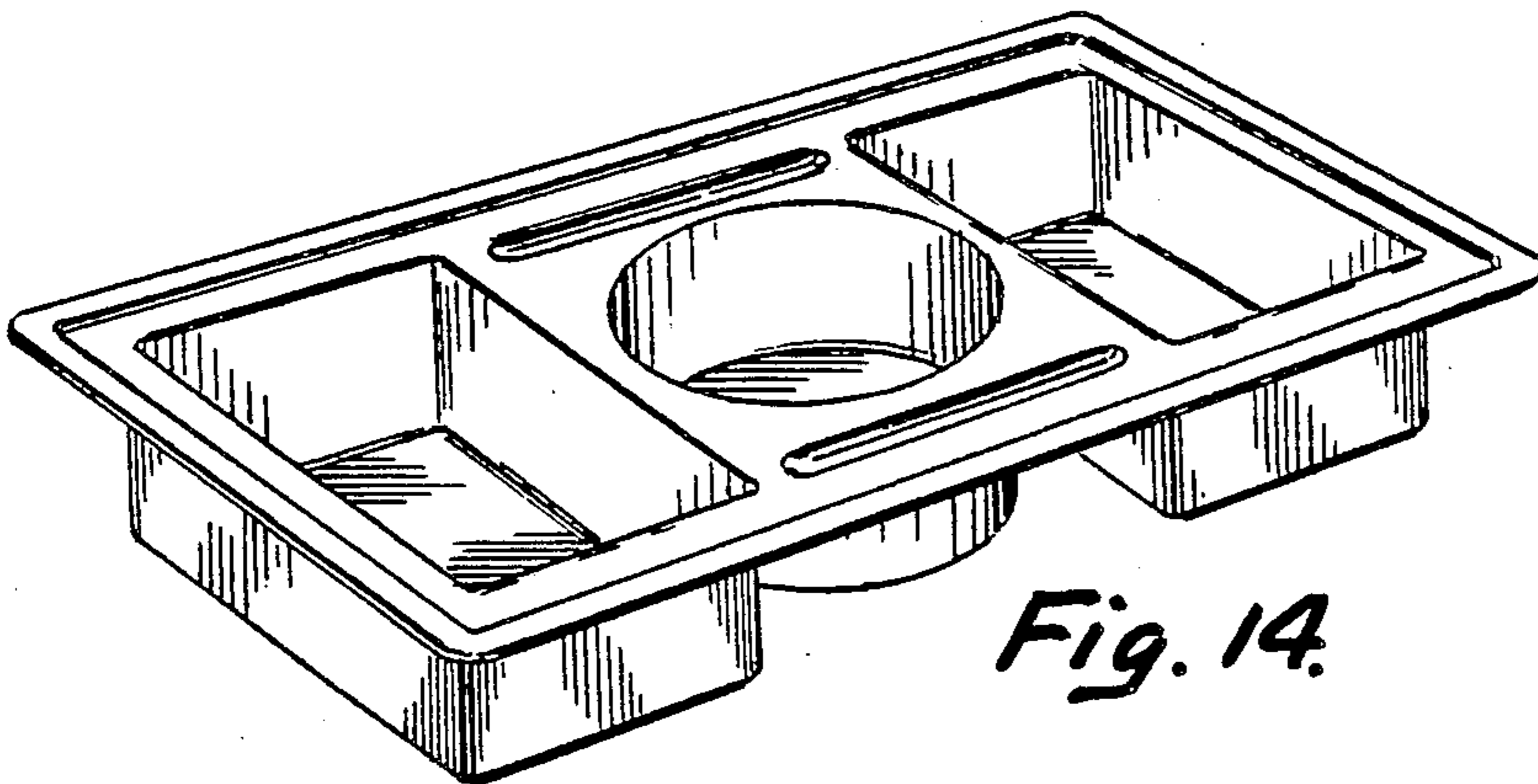


Fig. 14.

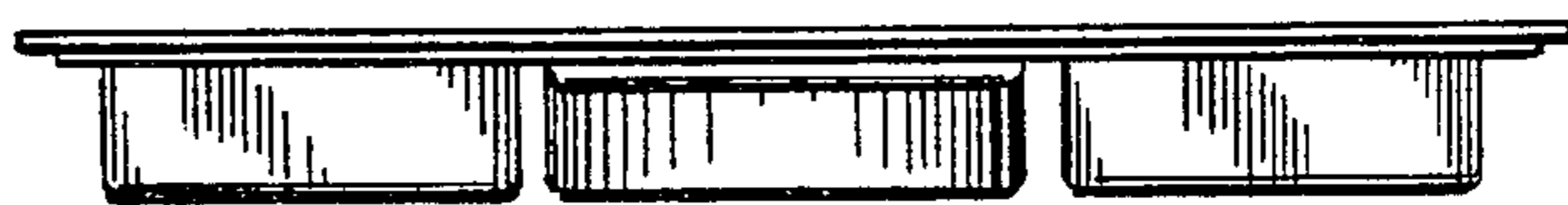


Fig. 15.

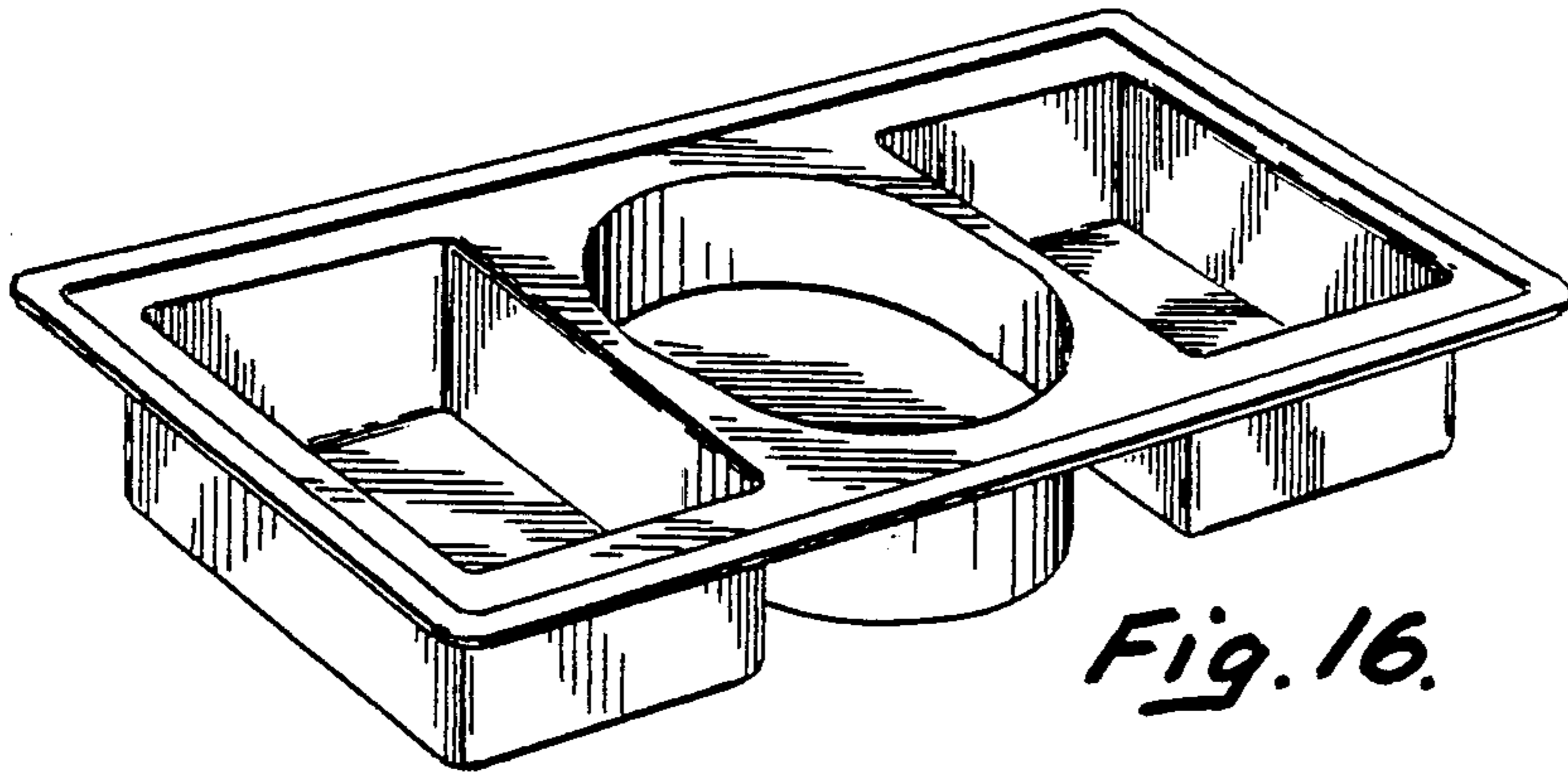


Fig. 16.

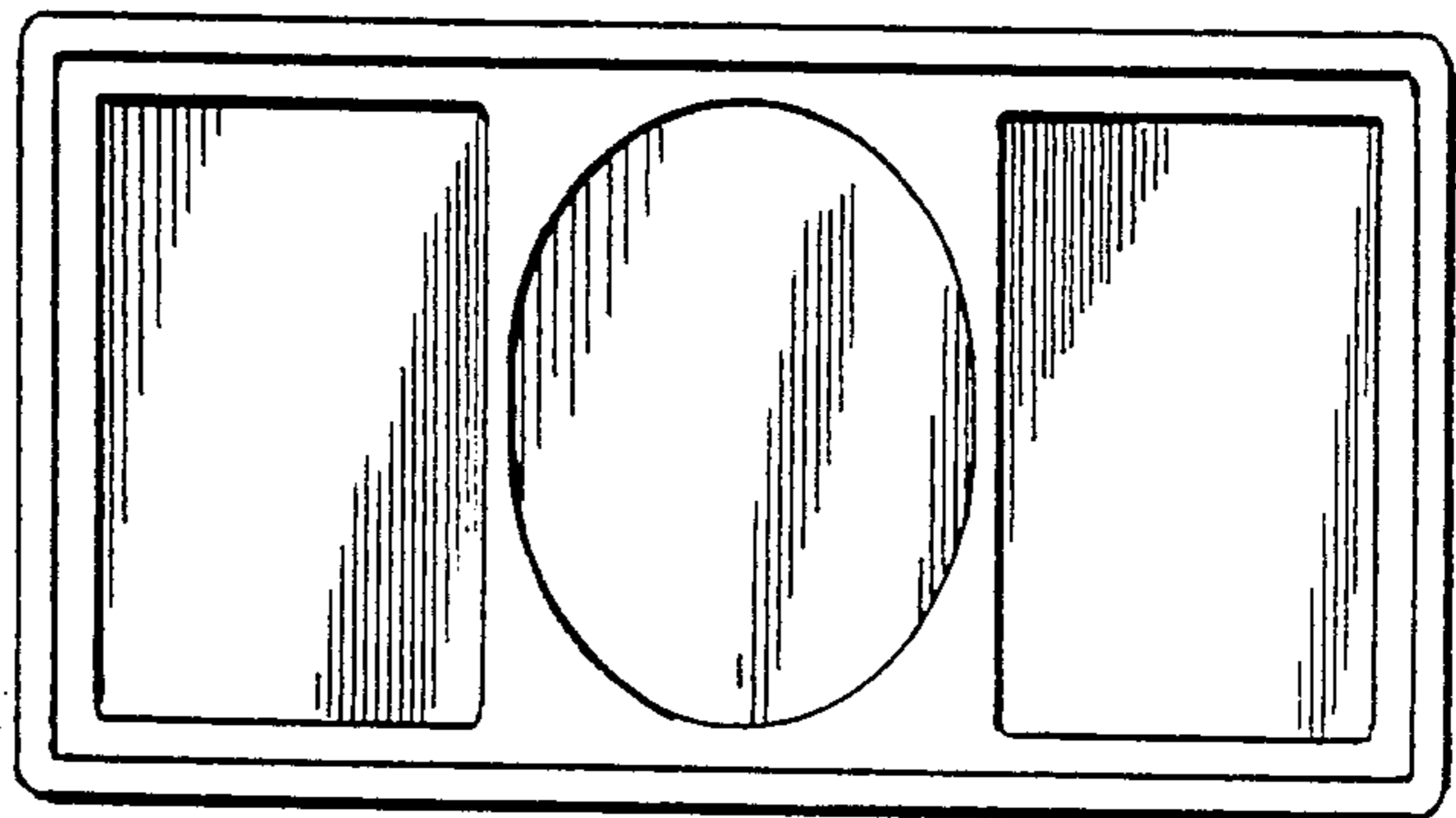


Fig. 17.



Fig. 18

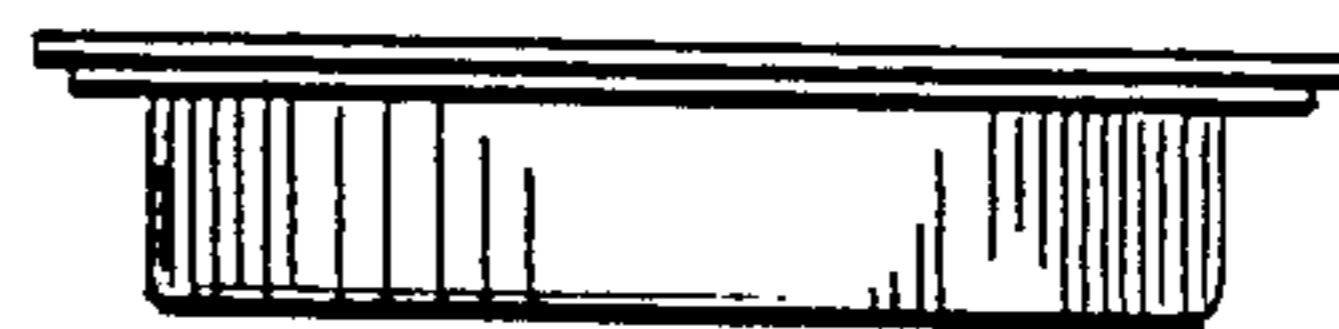


Fig. 19.