

[54] LOCKING LATCH ASSEMBLY FOR LUGGAGE

[75] Inventors: Richard Miles, Guildford; Stephen T. Green, Clanfield, both of England

[73] Assignee: Samsonite Corporation, Denver, Colo.

[**] Term: 14 Years

[21] Appl. No.: 602,870

[22] Filed: Apr. 23, 1984

[30] Foreign Application Priority Data

Nov. 1, 1983 [GB]	United Kingdom	1016033
[52] U.S. Cl.		D8/330
[58] Field of Search		D8/330-331, D8/343, 336, 339; D2/405; 70/67, 69, 70-72, 74; 292/58

[56] References Cited

U.S. PATENT DOCUMENTS

D. 193,806	10/1962	Humphries	D8/331
D. 233,959	12/1974	Bako	D8/331 X
D. 281,948	12/1985	Hesse	D8/330 X
2,820,359	1/1958	Levine	70/69
3,008,320	11/1961	Cheney	70/74

OTHER PUBLICATIONS

Presto Lock Company catalogue (1963), p. 14, Surface Locks-#1471.

Primary Examiner—Wallace R. Burke
Assistant Examiner—Brian N. Vinson
Attorney, Agent, or Firm—Gregory W. O'Connor; D. Michael Clayton

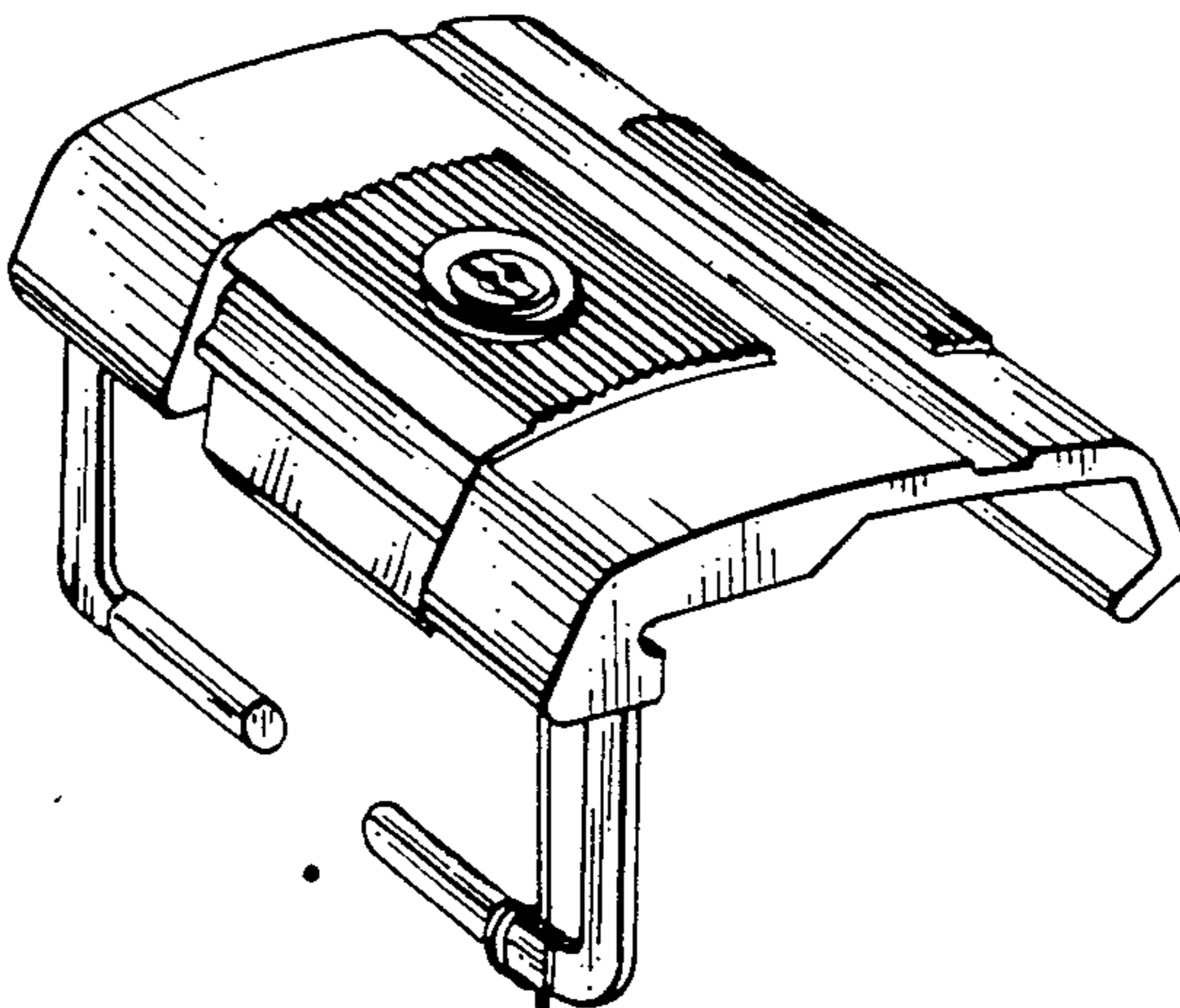
[57] CLAIM

The ornamental design for a locking latch assembly for luggage, as shown and described.

DESCRIPTION

FIG. 1 is a top and front perspective view of a locking latch assembly for luggage showing our new design; FIG. 2 is a top and rear perspective view thereof; FIG. 3 is a top plan view thereof; FIG. 4 is a side elevational view thereof; the opposite side being a mirror image; FIG. 5 is a rear elevational view thereof; FIG. 6 is a front elevational view thereof; FIG. 7 is a top and rear perspective view of a second embodiment thereof; FIG. 8 is a top plan view of the embodiment of FIG. 7; FIG. 9 is a side elevational view of the embodiment of FIG. 7, the opposite side being a mirror image; FIG. 10 is a rear elevational view of the embodiment of FIG. 7; and FIG. 11 is a front elevational view of the embodiment of FIG. 7.

The broken-line showing of the combination dials in FIGS. 7 and 11 being for illustrative purposes only and forming no part of the claimed design.



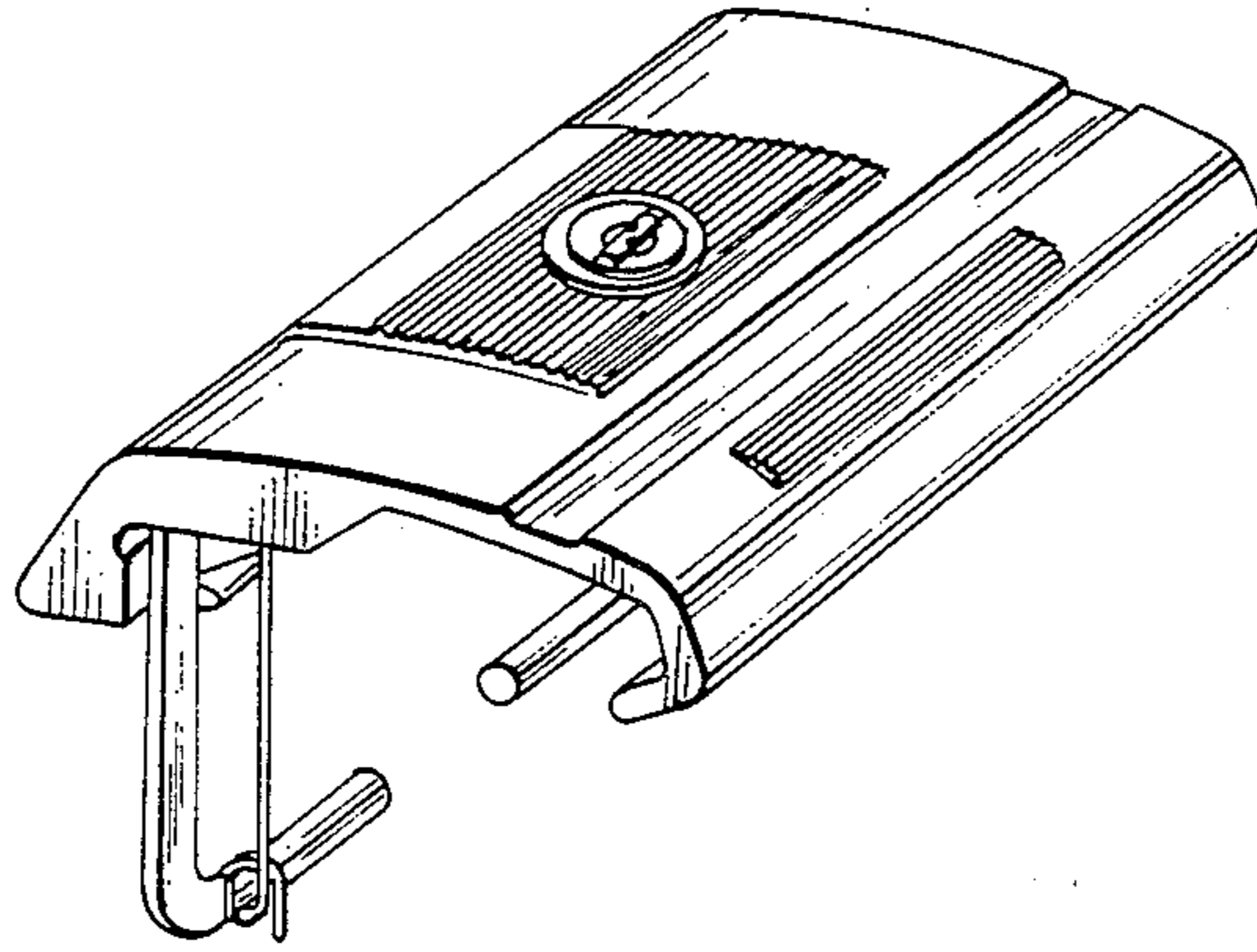


Fig. 2.

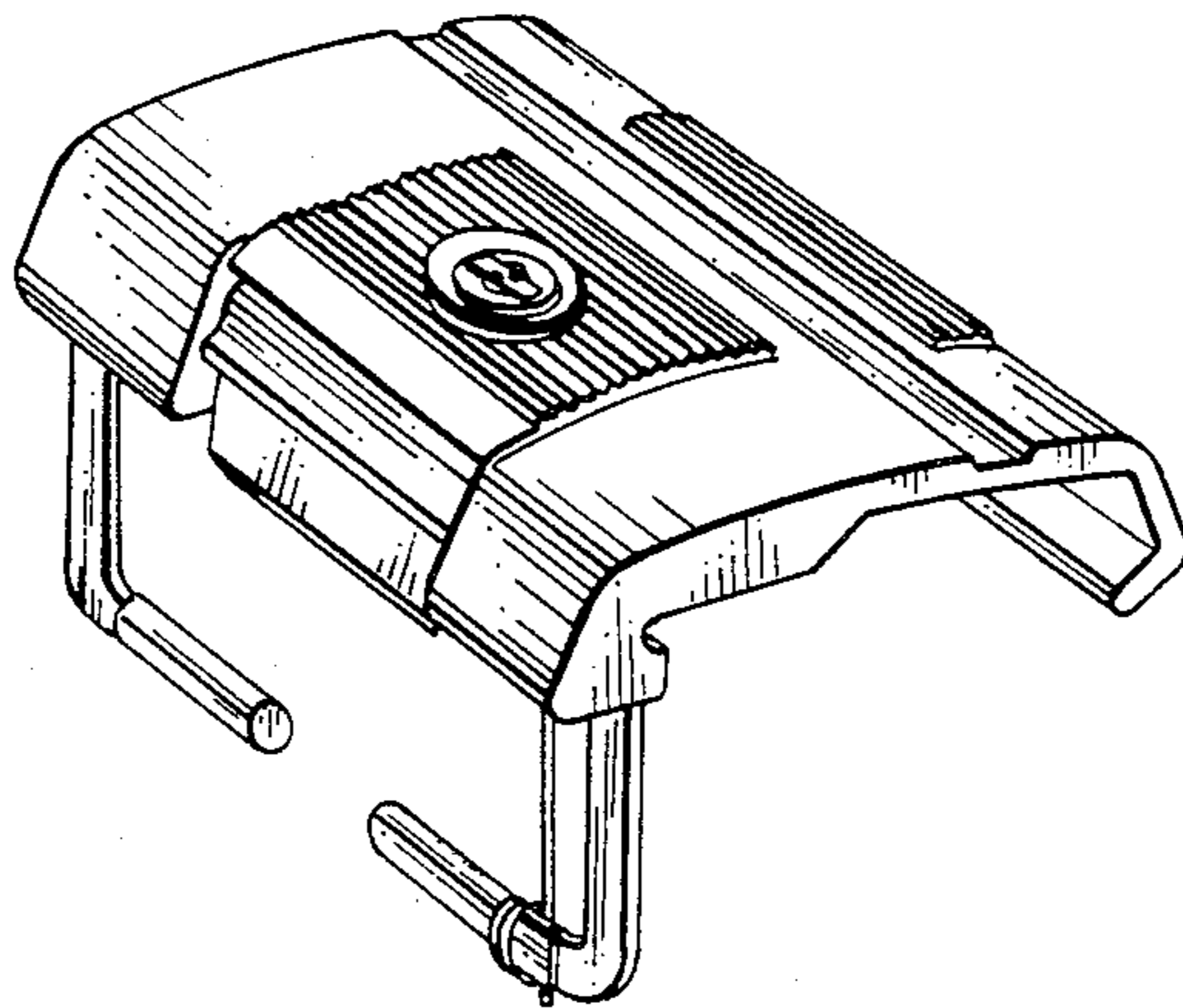


Fig. 1.

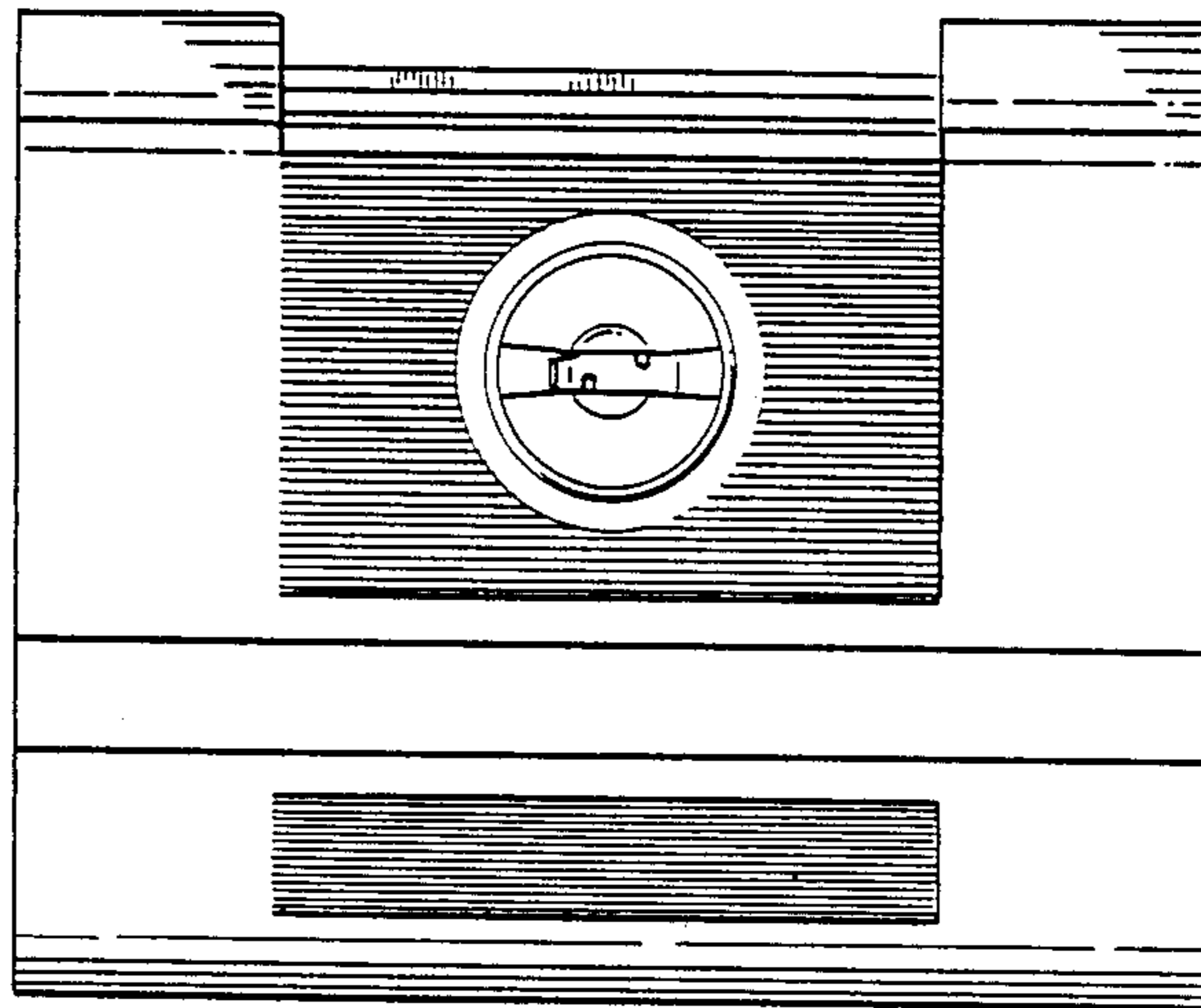


Fig. 3.

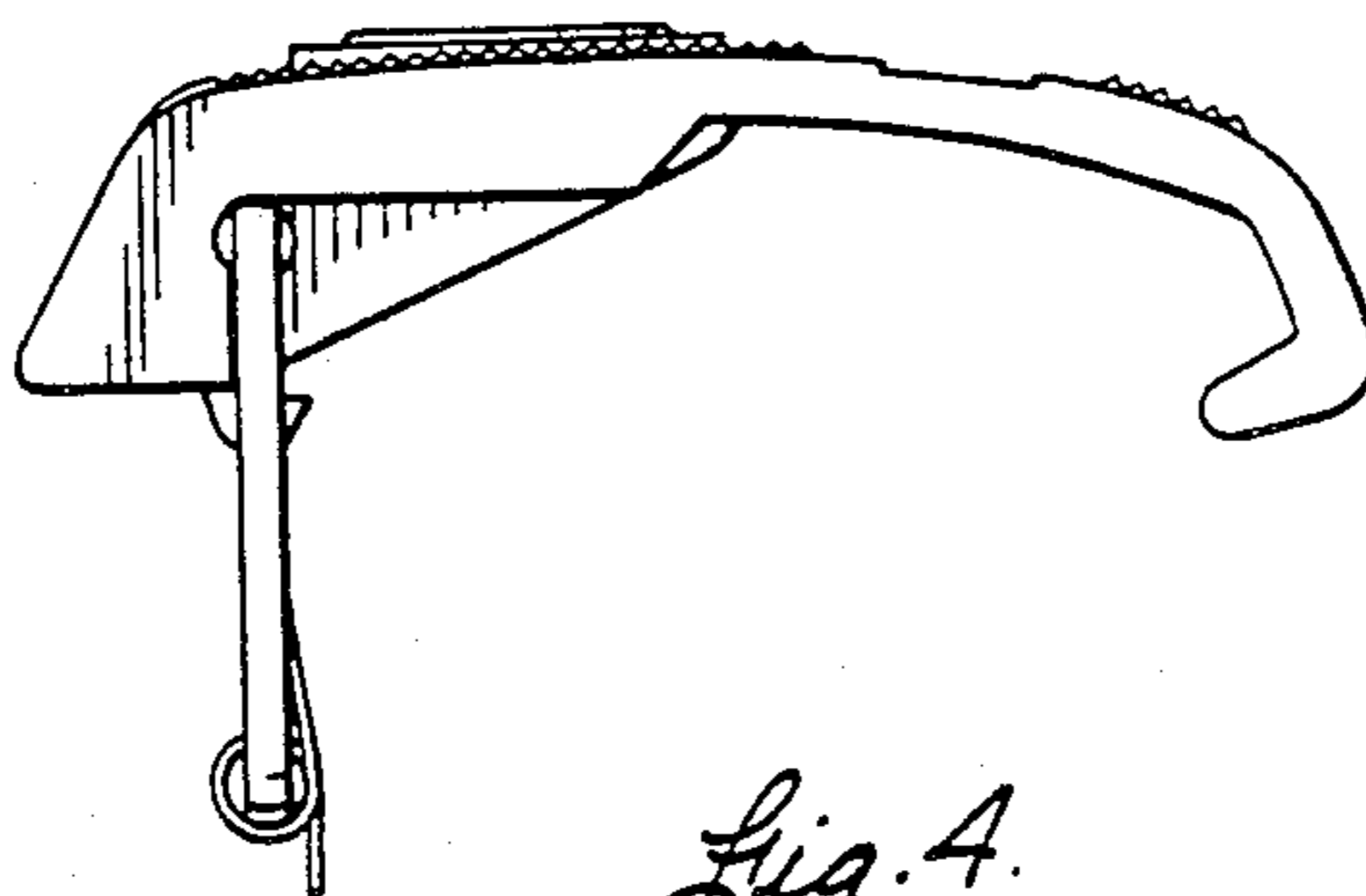


Fig. 4.

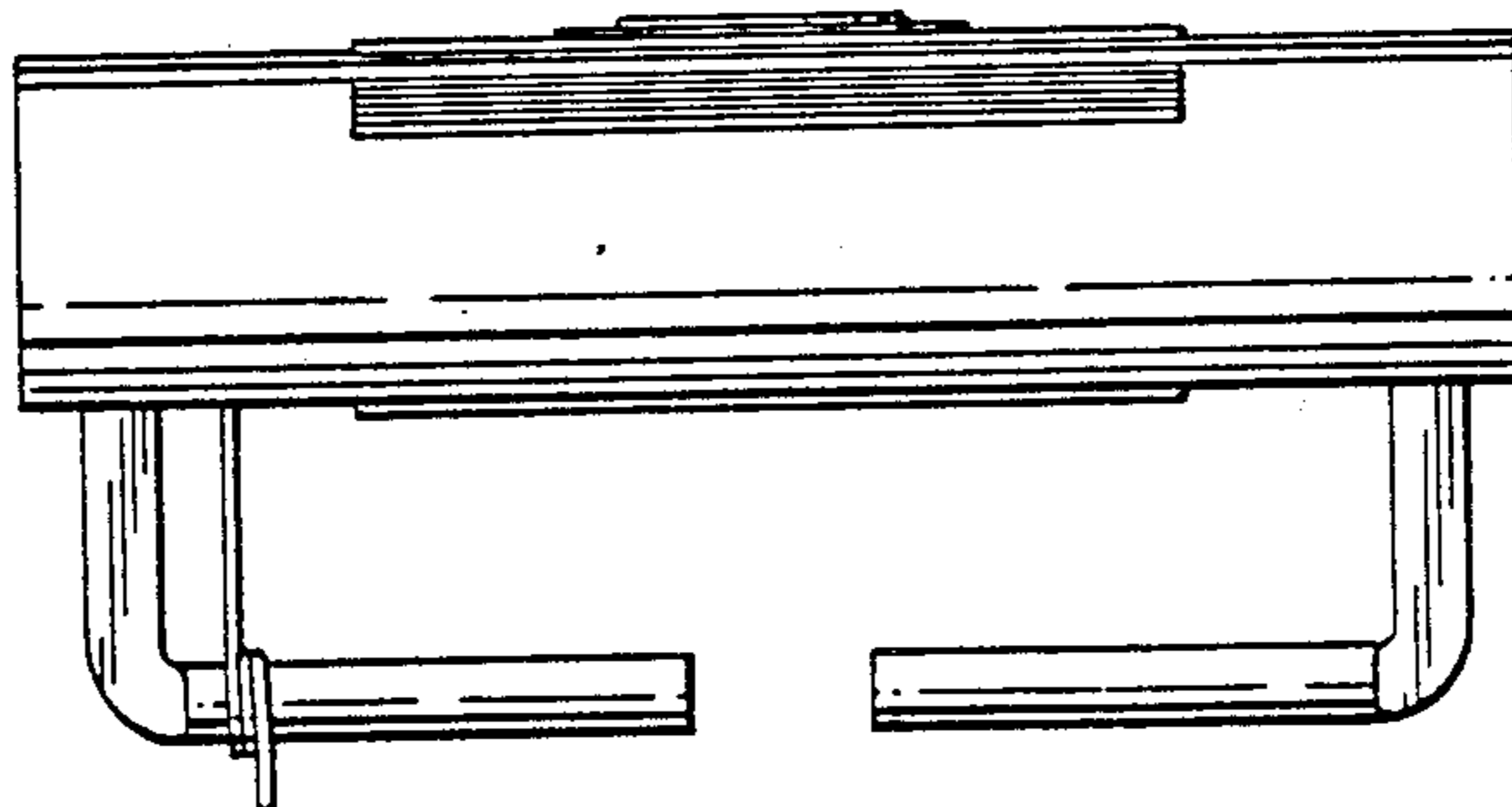


Fig. 5.

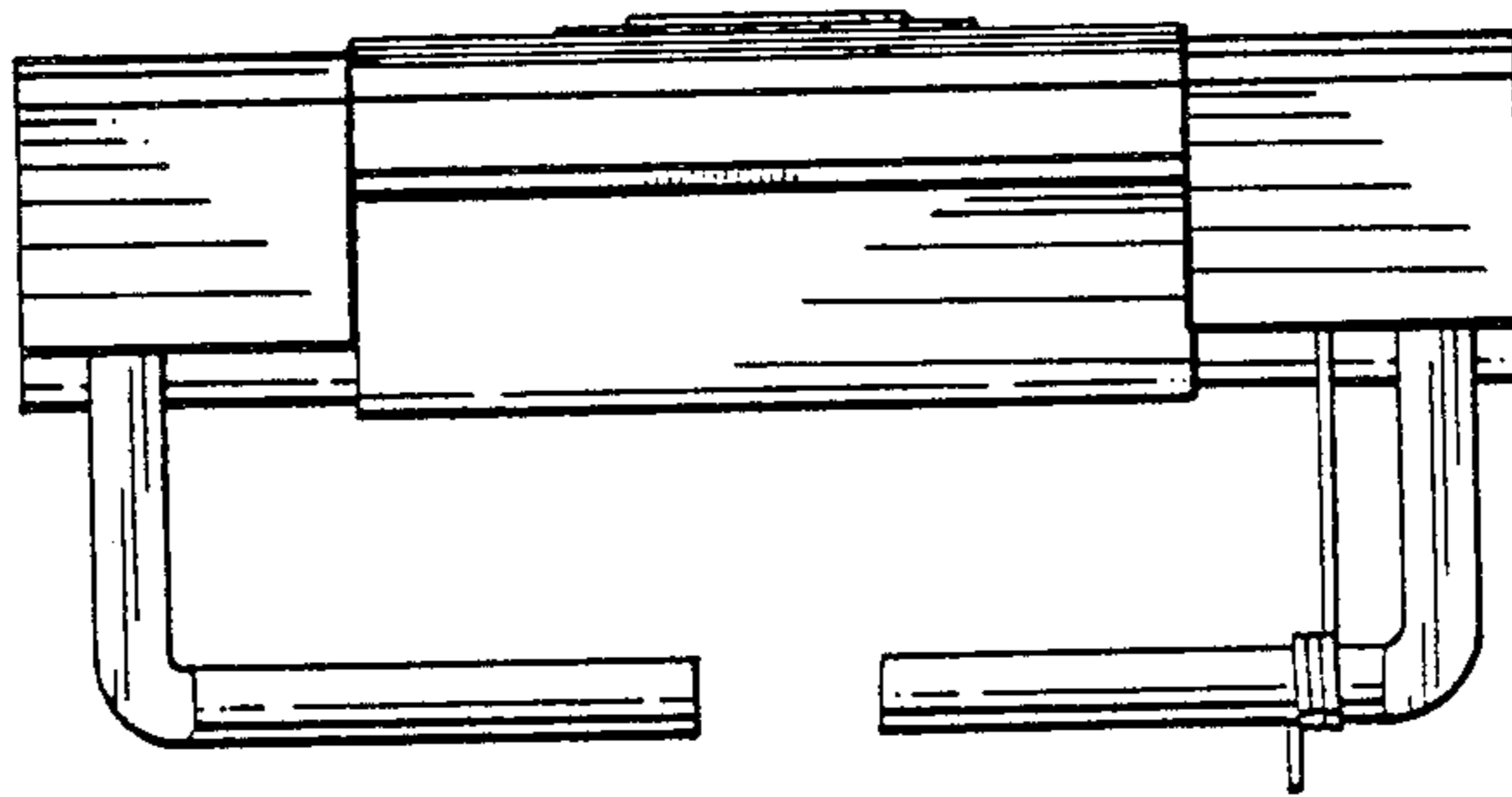


Fig. 6.

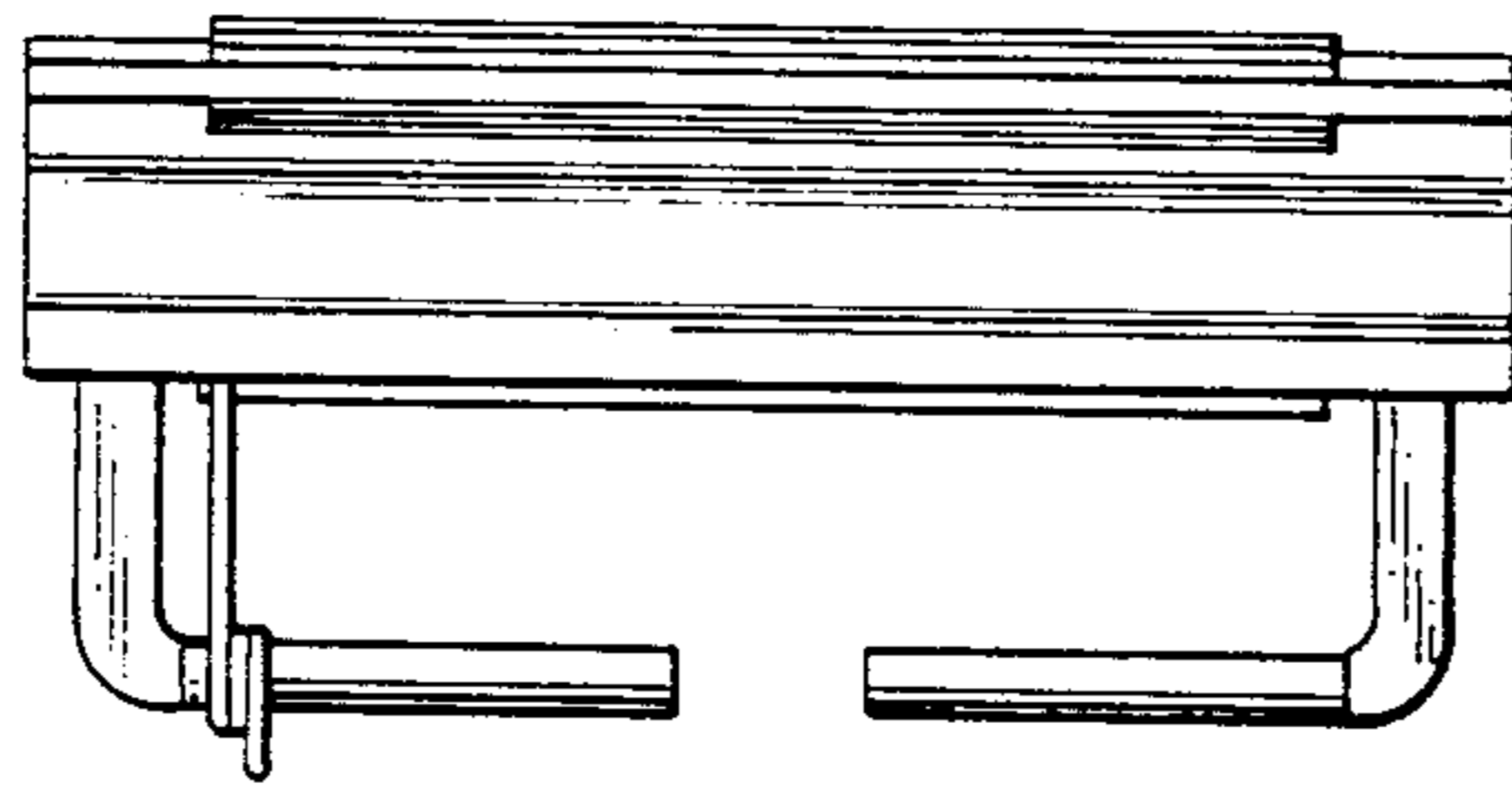
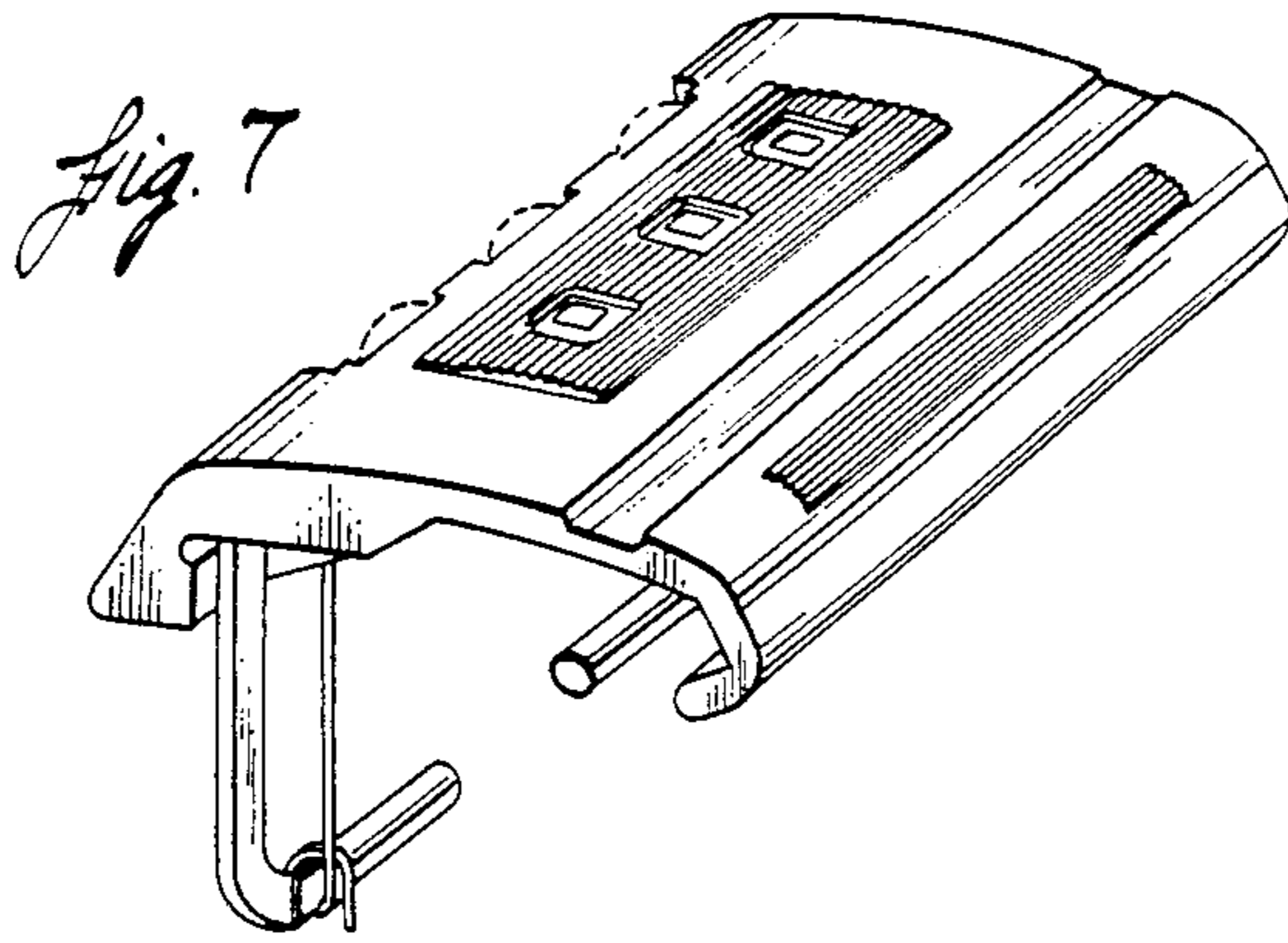


Fig. 10.

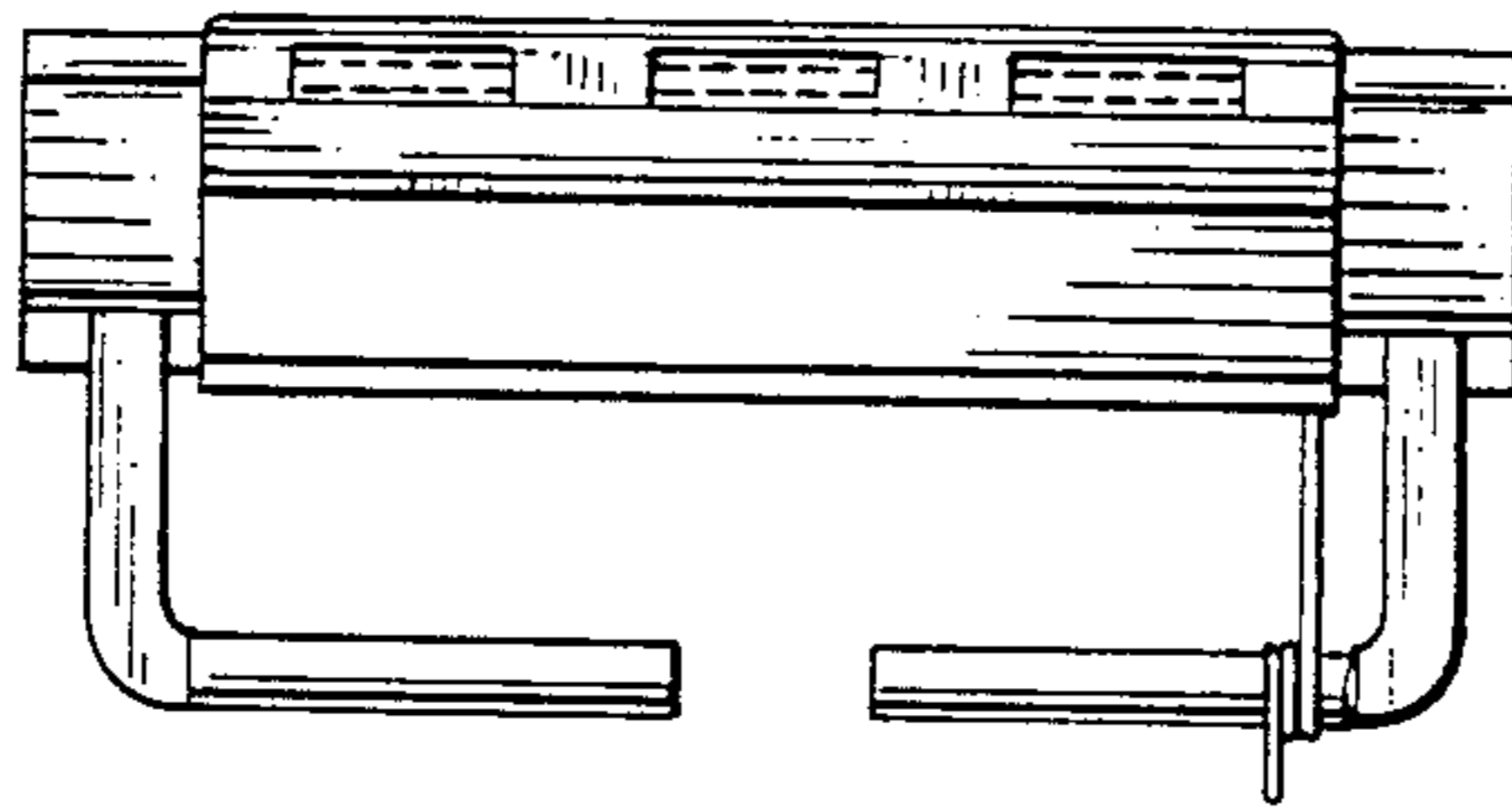


Fig. 11.

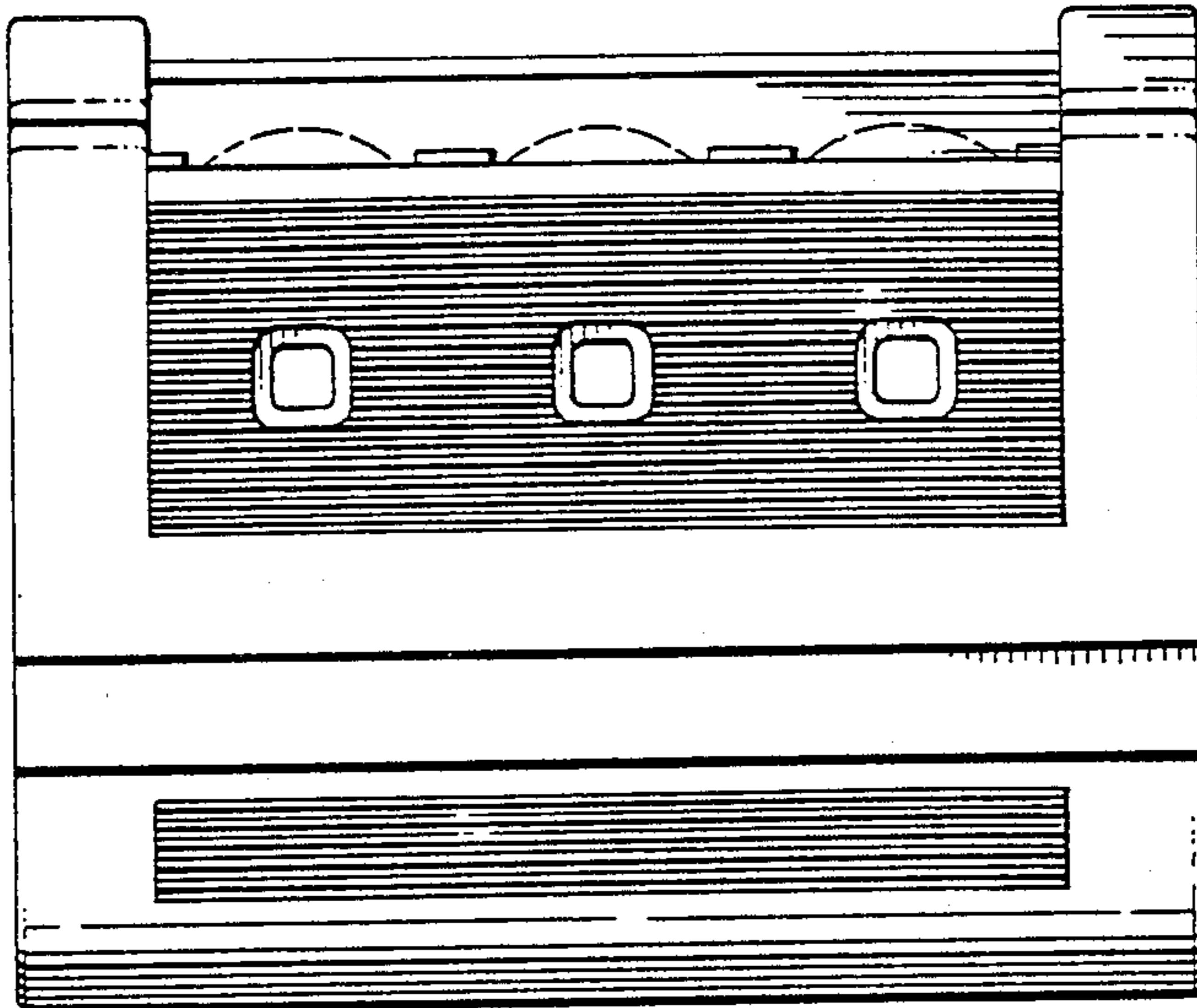


Fig. 8

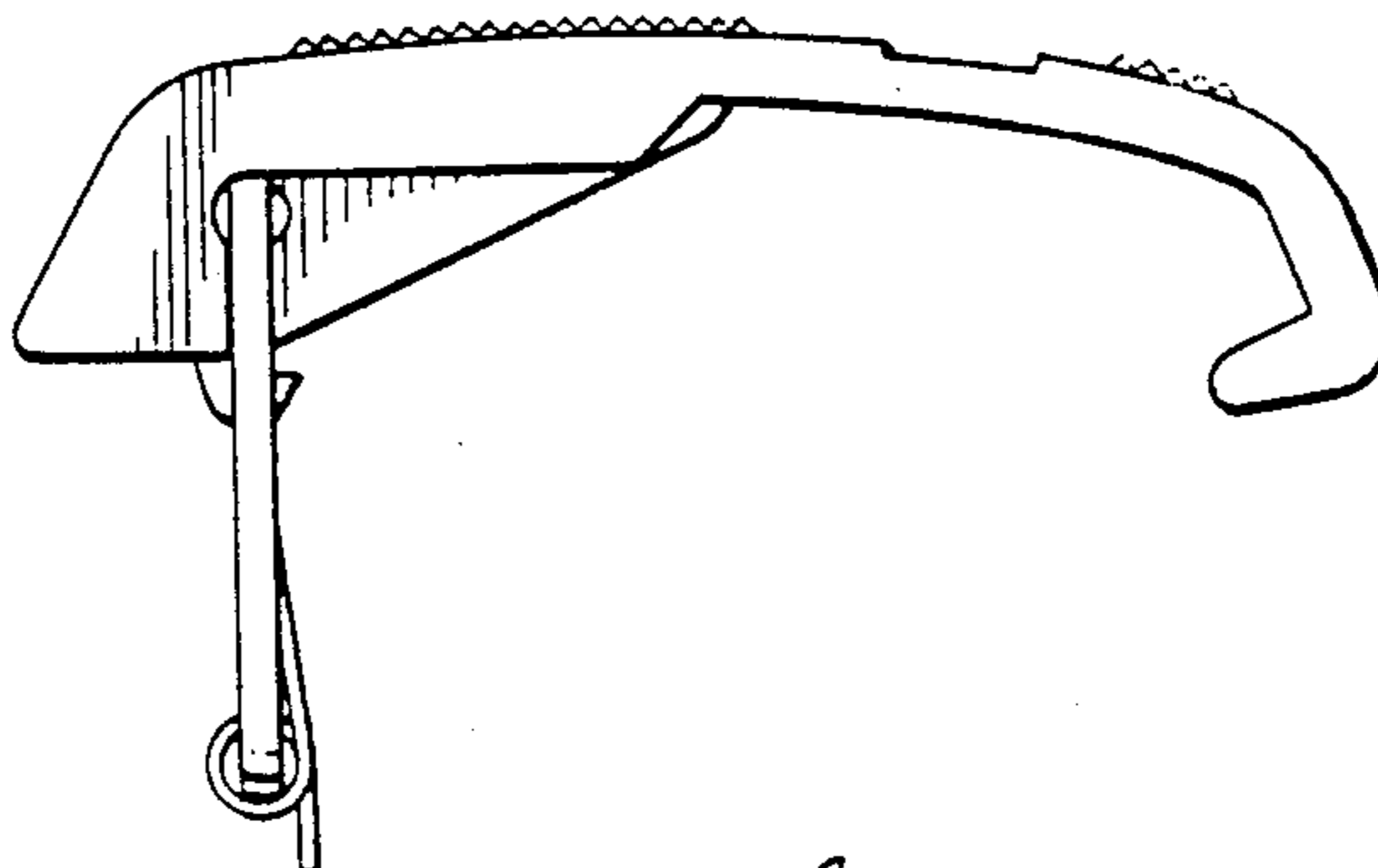


Fig. 9