

- [54] HINGE
- [75] Inventor: **Randall C. Hansen, Gurnee, Ill.**
- [73] Assignee: **A. L. Hansen Manufacturing Company, Gurnee, Ill.**
- [**] Term: **14 Years**
- [21] Appl. No.: **844,252**
- [22] Filed: **Mar. 24, 1986**

Related U.S. Application Data

- [63] Continuation of Ser. No. 648,641, Sep. 7, 1984, abandoned.
- [52] U.S. Cl. **D8/327**
- [58] Field of Search **D8/323, 327-329; 16/221, 234, 372, 387**

[56] **References Cited**

U.S. PATENT DOCUMENTS

- D. 23,402 6/1894 Hart **D8/327**
- D. 174,177 3/1955 Grodt **D8/329**
- 122,088 12/1871 Wells **16/387**
- 487,939 12/1892 Smith **16/372**

FOREIGN PATENT DOCUMENTS

- 2251970 5/1973 Fed. Rep. of Germany **16/387**
- 0966265 3/1950 France **16/221**

OTHER PUBLICATIONS

Stanley Hardware cat. 130; 11/1979; p. 143; Strap Hinge 951 (middle of page).

Stanley Hardware cat. 130; 11/1979; p. 142; Light-Hinge.

A. L. Hansen brochures covering Hinges 14-UC, 16, 12-S, 12-UC, 8, 8-A, 8-NB, 8S, 11-F, 12, 12-A, 12-OL, 16-A, 19, 19-A, Continuous Hinges, 5-UB, 6-B, 4-NB, 5X5, 2-B, 4 Mini, M1, MI-A, Stainless Steel Hinges, Aluminum Hinges, Steel Hinges, and Hinge Terminology, Piercing Specifications, published by A. L. Hansen Mfg. Co., Waukegan, IL 60085, date unknown.

Primary Examiner—B. J. Bullock
Attorney, Agent, or Firm—William Brinks Olds Hofer Gilson & Lione Ltd.

[57] **CLAIM**

The ornamental design for a hinge, substantially as shown.

DESCRIPTION

Be it known that I, Randall C. Hansen, have invented a new, original and ornamental design for a hinge of which the following is a specification, reference being made to the accompanying drawings, forming a part hereof.

FIG. 1 is a front view of a hinge showing my new design.

FIG. 2 is a top view thereof.

FIG. 3 is a back view thereof.

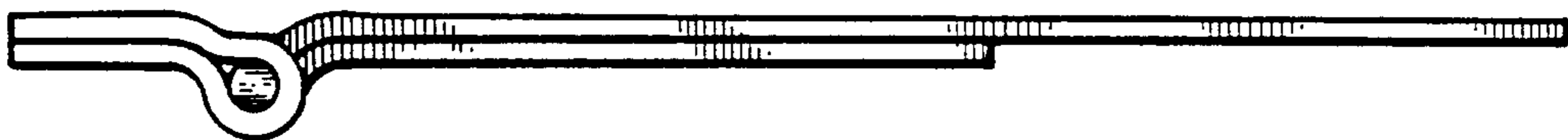
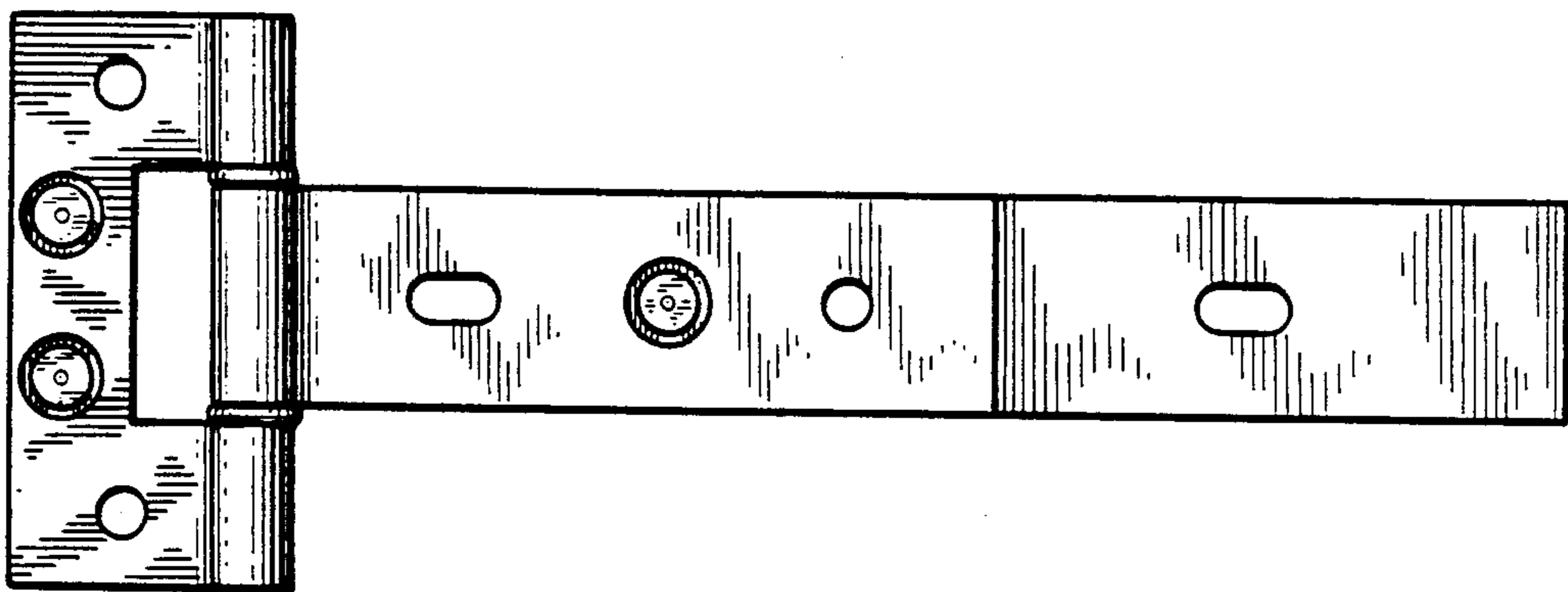
FIG. 4 is a bottom view thereof.

FIG. 5 is a left end view thereof.

FIG. 6 is a right end view thereof.

FIG. 7 is a sectional view taken along line 7—7 of FIG. 3.

FIG. 8 is a sectional view taken along line 8—8 of FIG. 3.



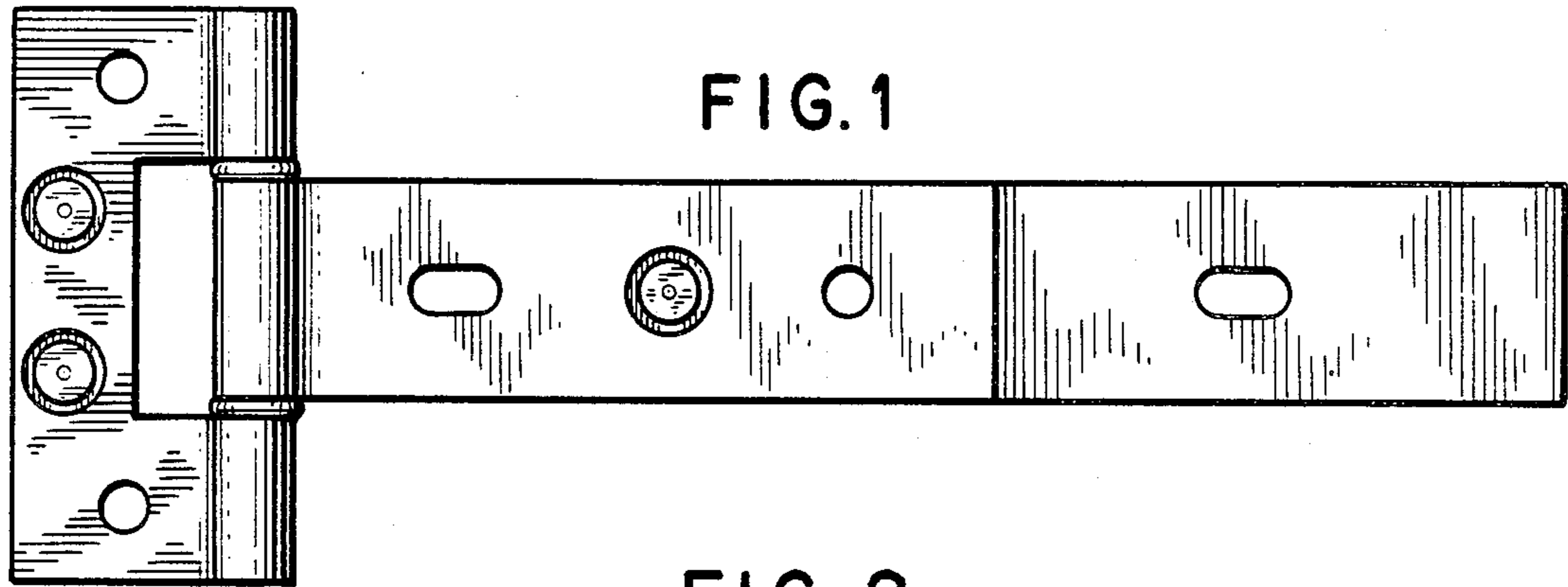


FIG. 2

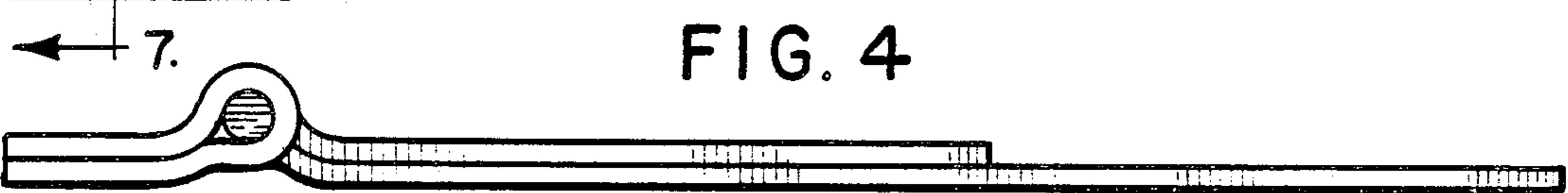
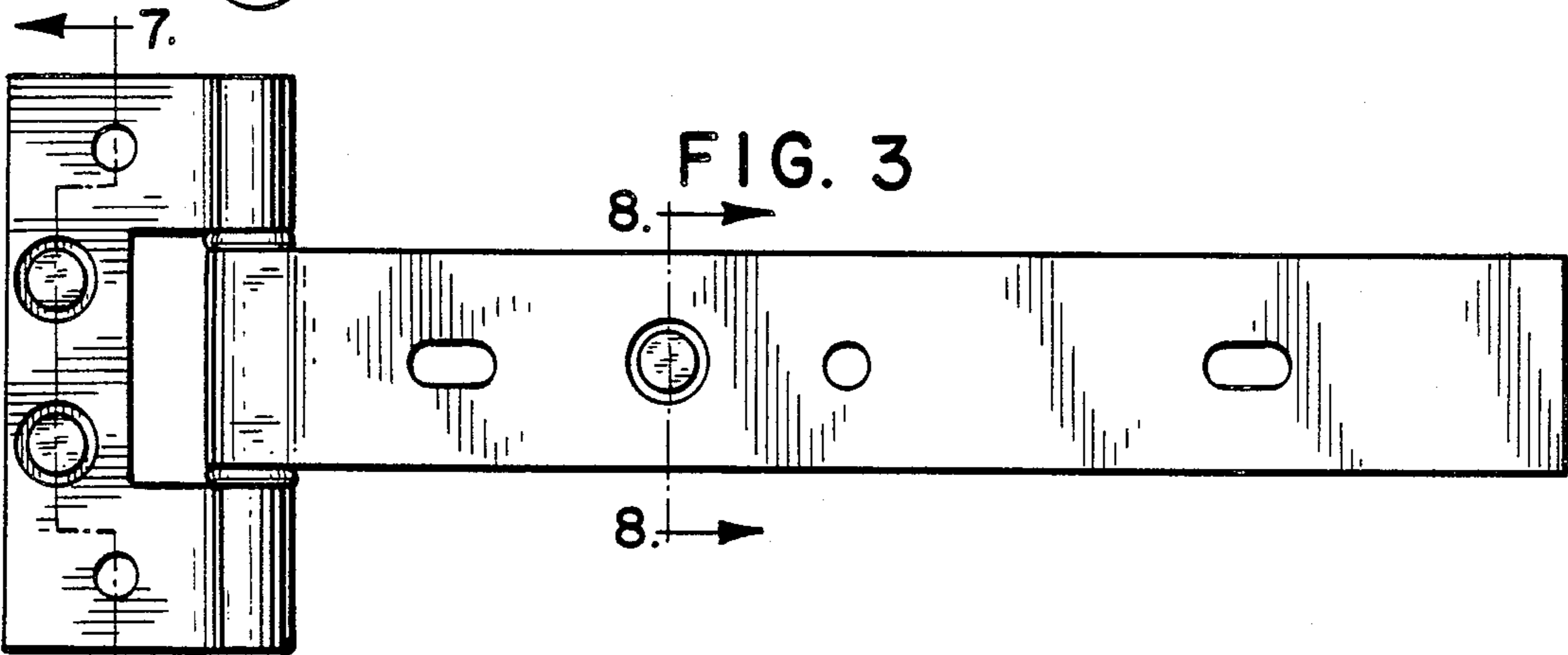
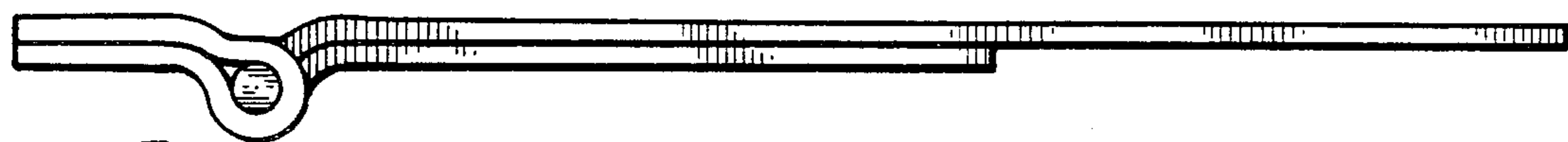


FIG. 4

FIG. 5



FIG. 6

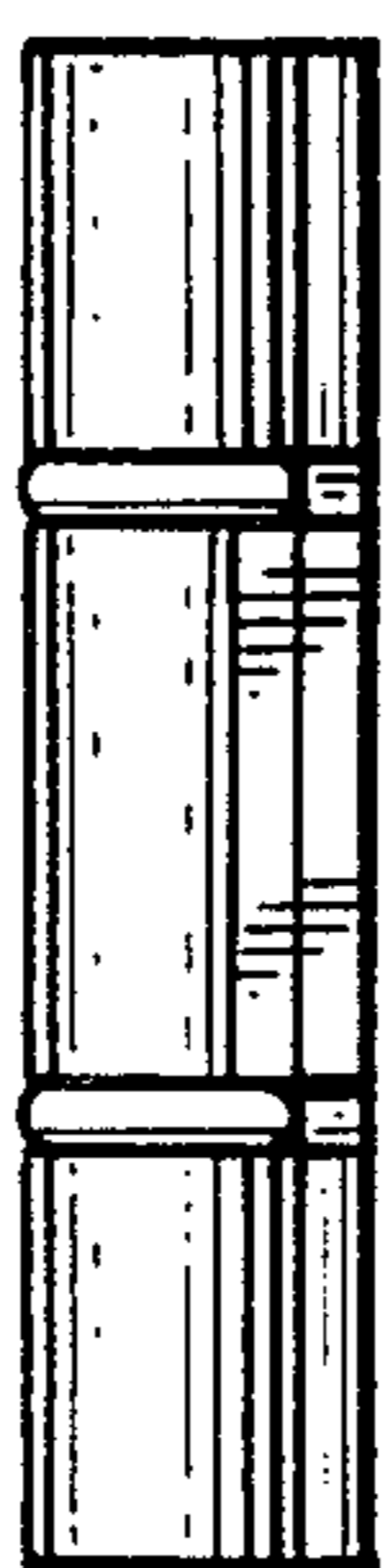


FIG. 7



FIG. 8

