

- [54] COMBINED BELT AND DISC SANDER
- [75] Inventor: Robert W. Arehart, Cook County, Ill.
- [73] Assignee: Emerson Electric Co., St. Louis, Mo.
- [\*\*] Term: 14 Years
- [21] Appl. No.: 765,356
- [22] Filed: Aug. 13, 1985
- [52] U.S. Cl. .... D8/62
- [58] Field of Search ..... D8/61, 62, 90, 67;  
D15/139, 125; 51/170 R, 170 T, 170 TL, 170  
EB, 134.5, 177, 3, 135 BT, 148

[56] **References Cited**

**U.S. PATENT DOCUMENTS**

D. 205,298	7/1966	Milner	.....	D15/125
2,483,369	9/1949	Loucony et al.	.....	51/3
2,740,238	4/1956	Sharpless	.....	51/148 X
2,948,088	8/1960	Jepson	.....	51/3 X
3,538,650	11/1970	Pollak	.....	51/148
3,608,245	9/1971	Fair, Jr. et al.	.....	51/135 BT
4,335,542	6/1982	Howe	.....	51/3
4,403,454	9/1983	Glore et al.	.....	51/135 BT

**OTHER PUBLICATIONS**

- Black & Decker Power Tools catalog, three-page extract, 1984.
- Black & Decker Product Announcement, two pages, undated.
- Hitachi Power Tools booklet, four-page extract, undated.

- Jet Bench Grinders & Belt Grinder/Sander brochure, three-page extract, undated.
- Makita Industrial Quality Power Tools booklet, four-page extract, undated.
- Rockwell Machinery booklet, three-page extract, Sep. 1983.
- Rockwell Portable Stationary Tools brochure, three-page extract, Jul. 1979.
- Rockwell Spring 1978 Buyers' Guide, five-page extract, Oct. 1977.
- Rutland Tool & Supply Sale catalog, two-page extract, 1981.
- Shopcraft Benchtop & Portable Power Tools brochure, three-page extract, Aug. 1981.
- Toolkraft Power Tools Trade Book, four-page extract, 1979.

*Primary Examiner*—Wallace R. Burke  
*Assistant Examiner*—C. E. Heflin  
*Attorney, Agent, or Firm*—Polster, Polster and Lucchesi

[57] **CLAIM**

The ornamental design for a combined belt and disc sander, as shown and described.

**DESCRIPTION**

FIG. 1 is a perspective view of a combined belt and disc sander showing my new design; FIG. 2 is an enlarged side elevational view thereof; FIG. 3 is an enlarged top plan view thereof; FIG. 4 is an enlarged front elevational view thereof; FIG. 5 is an enlarged opposite side elevational view thereof; FIG. 6 is an enlarged bottom plan view thereof; and FIG. 7 is an enlarged rear elevational view thereof.

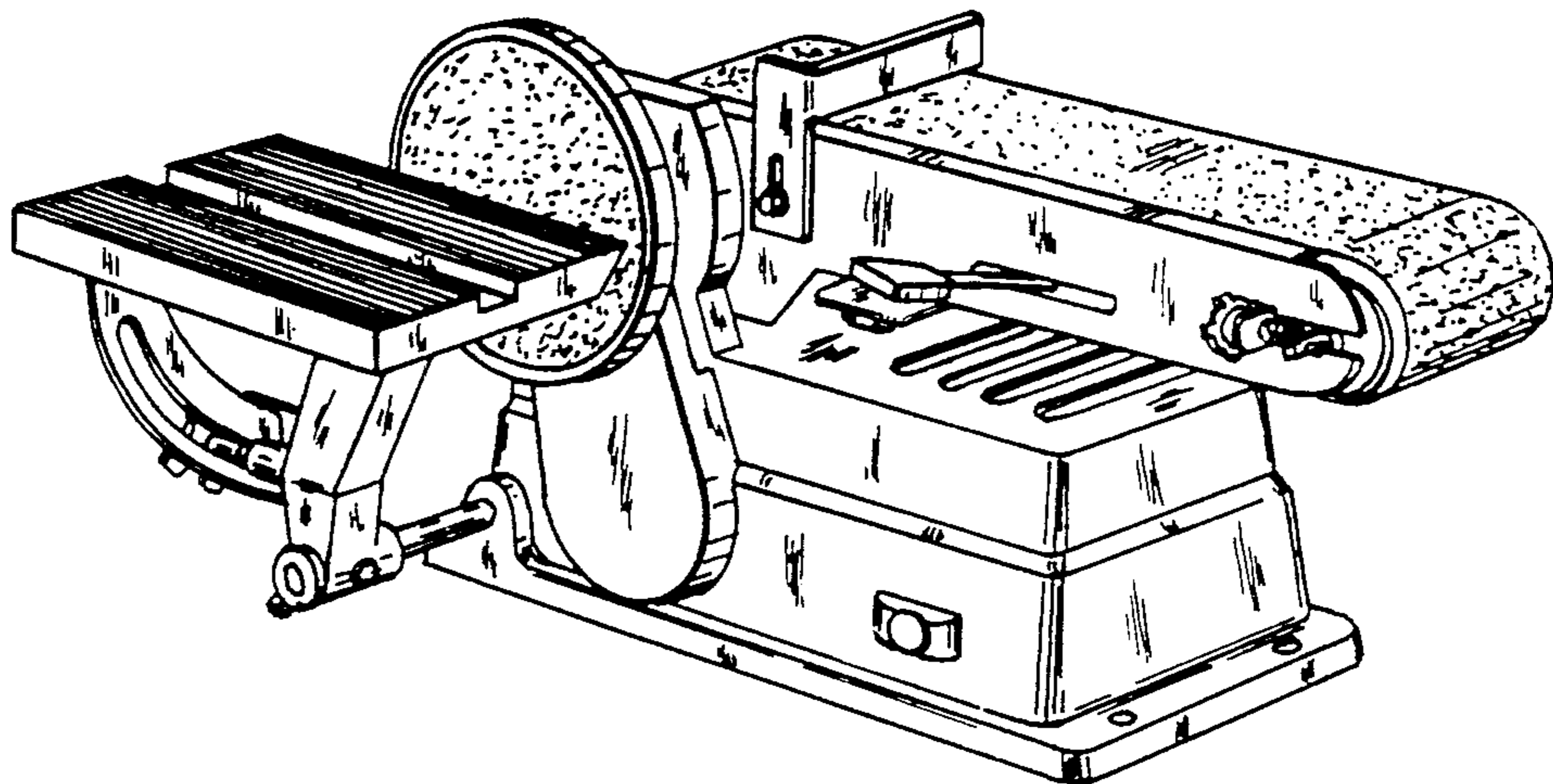


FIG. 1

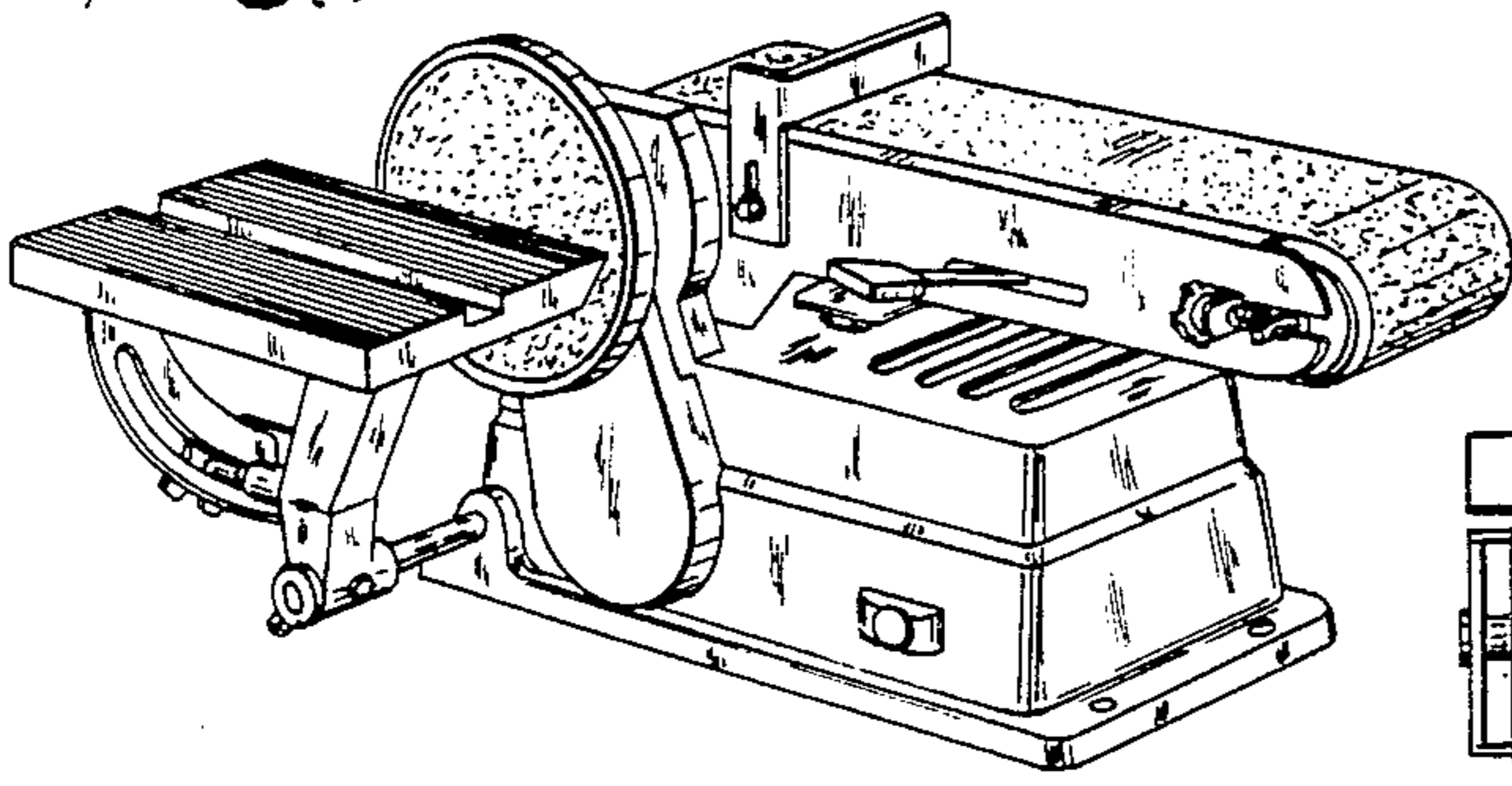


FIG. 2

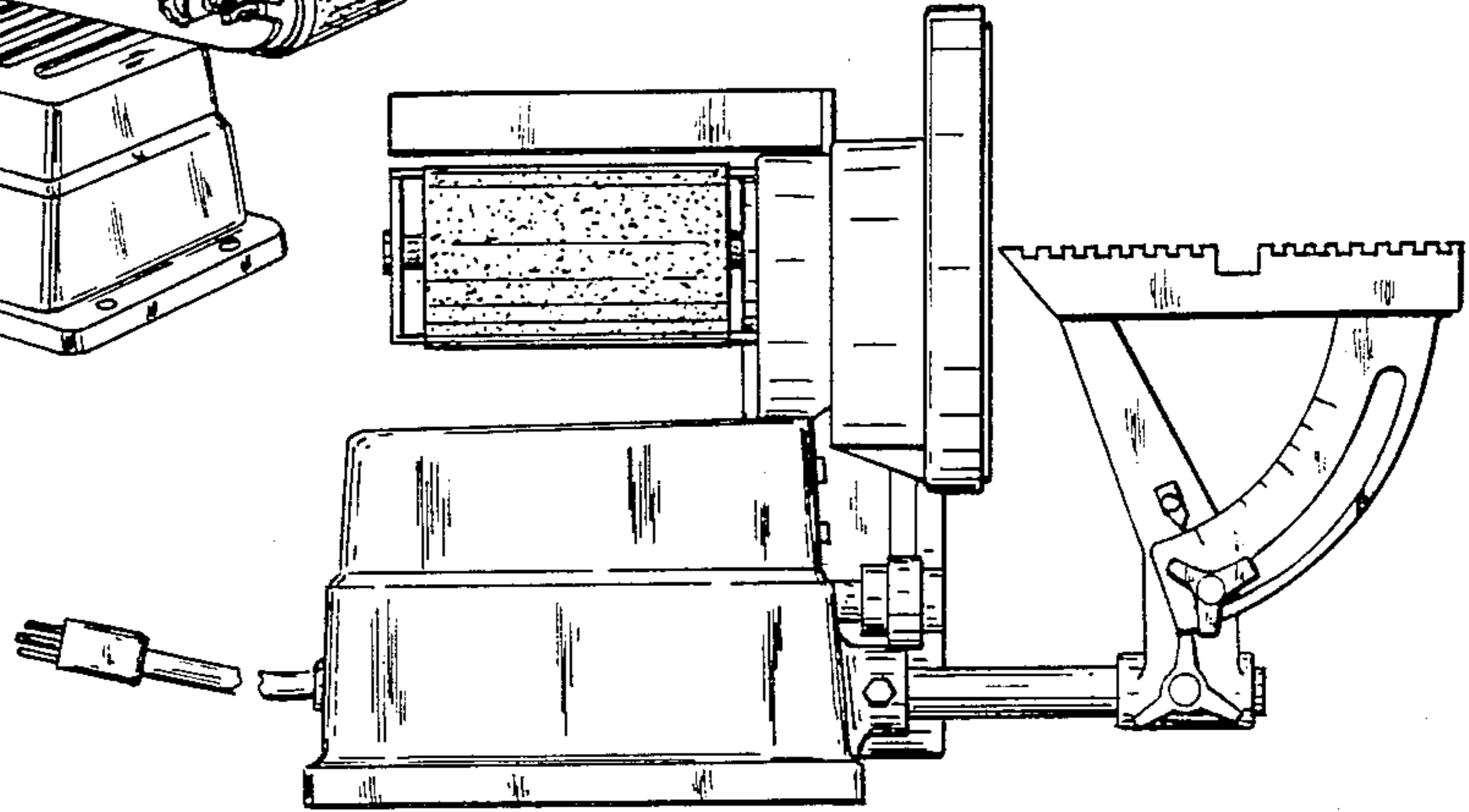


FIG. 3

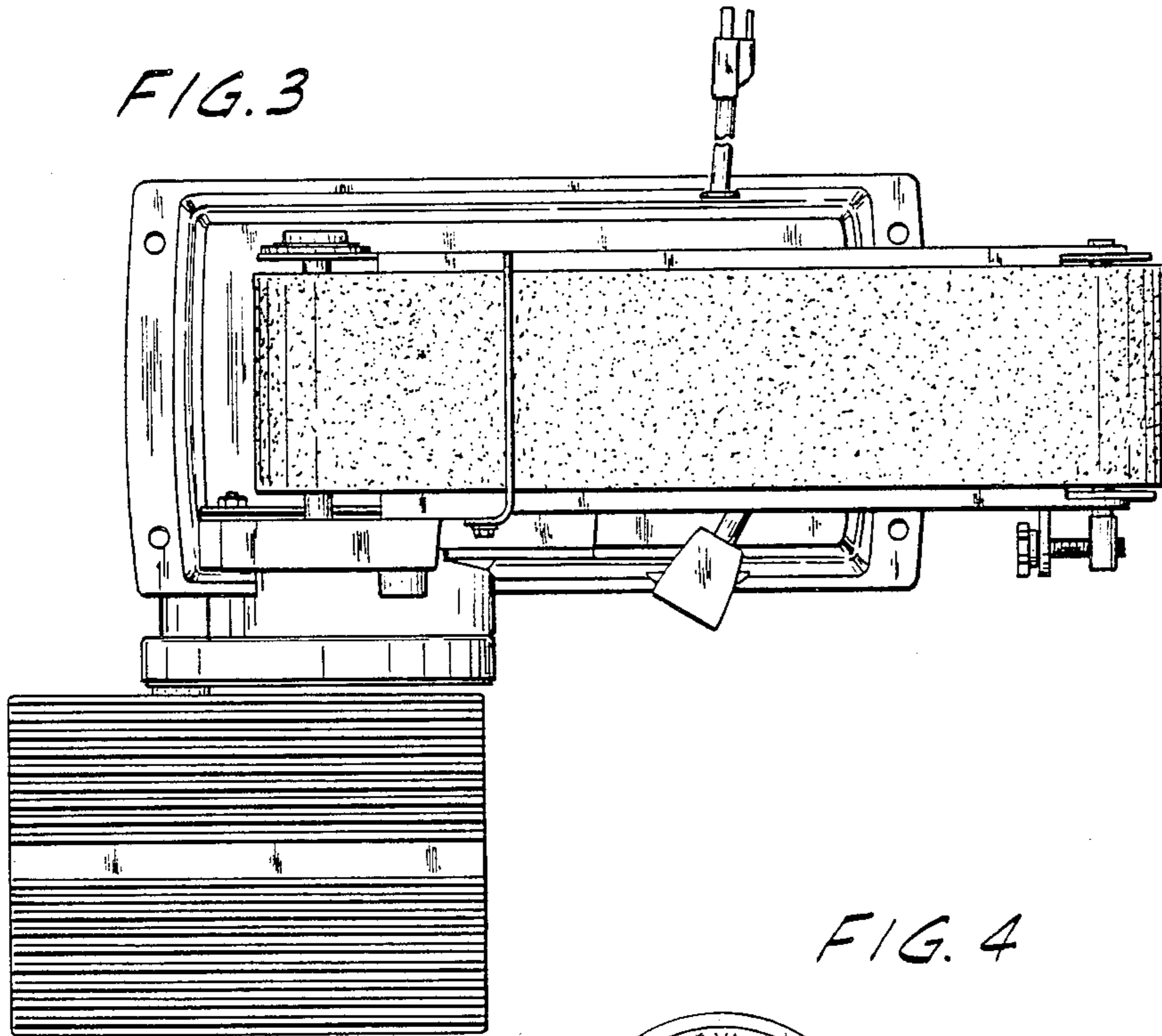


FIG. 4

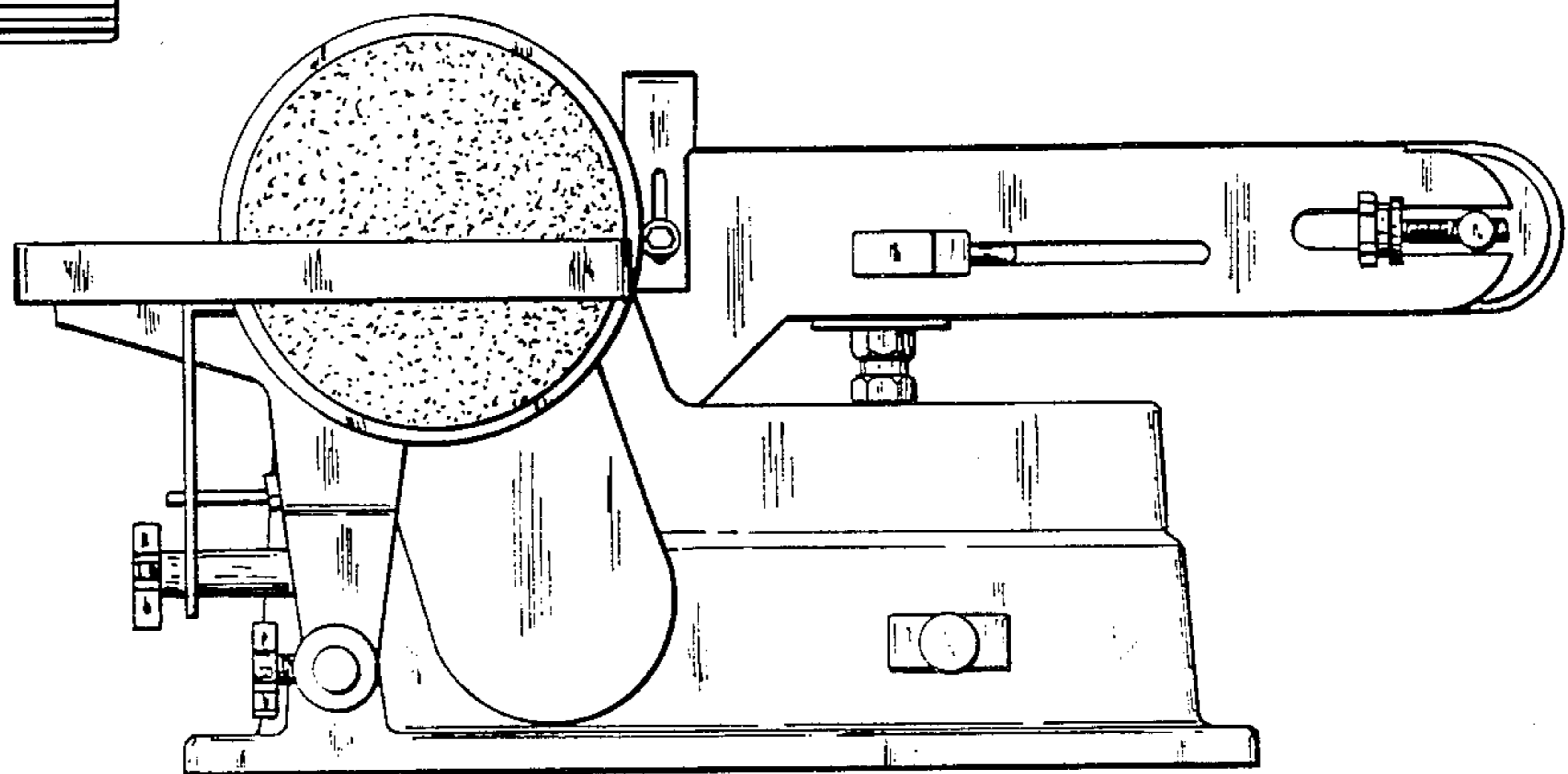


FIG. 5

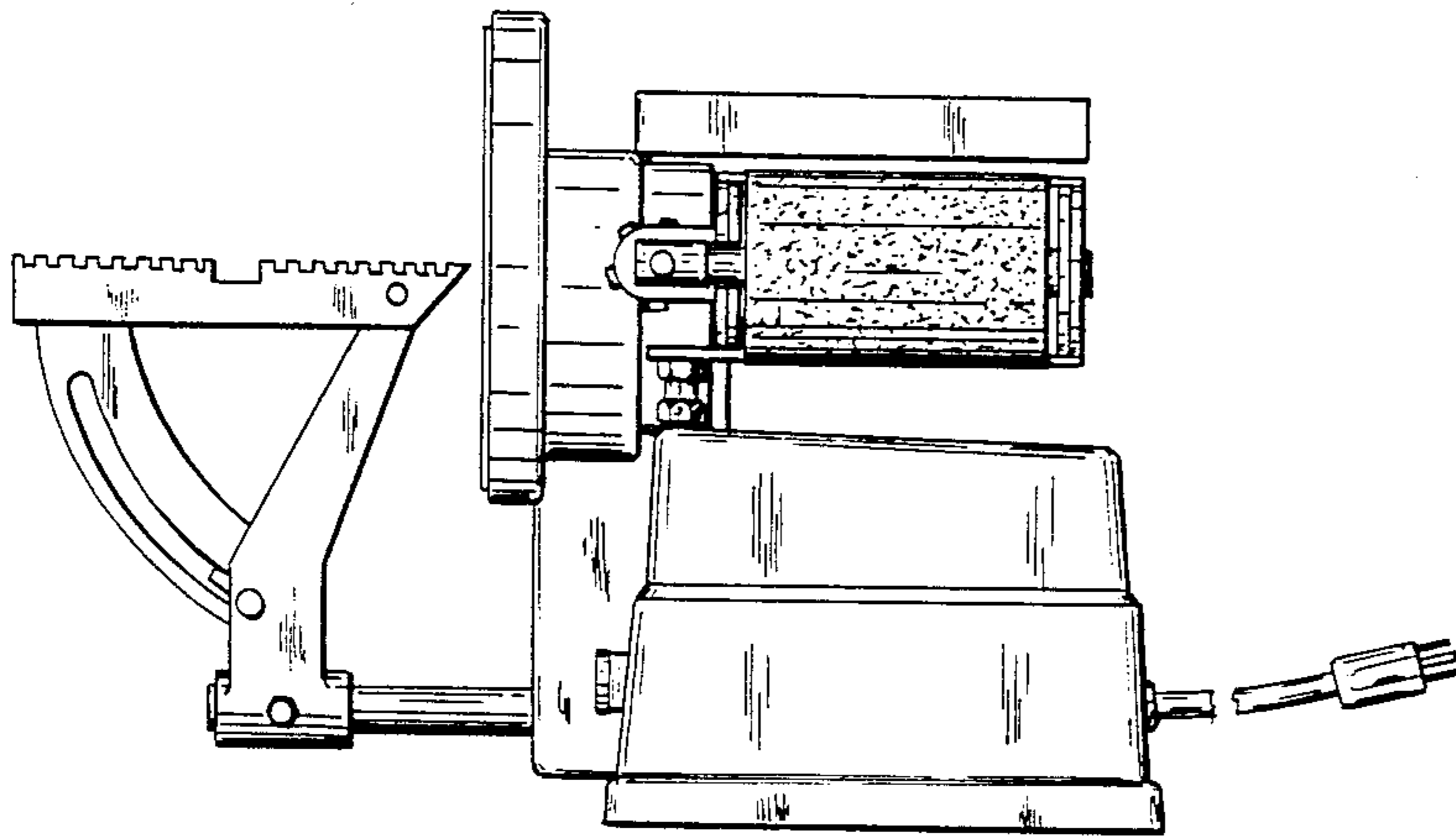


FIG. 6

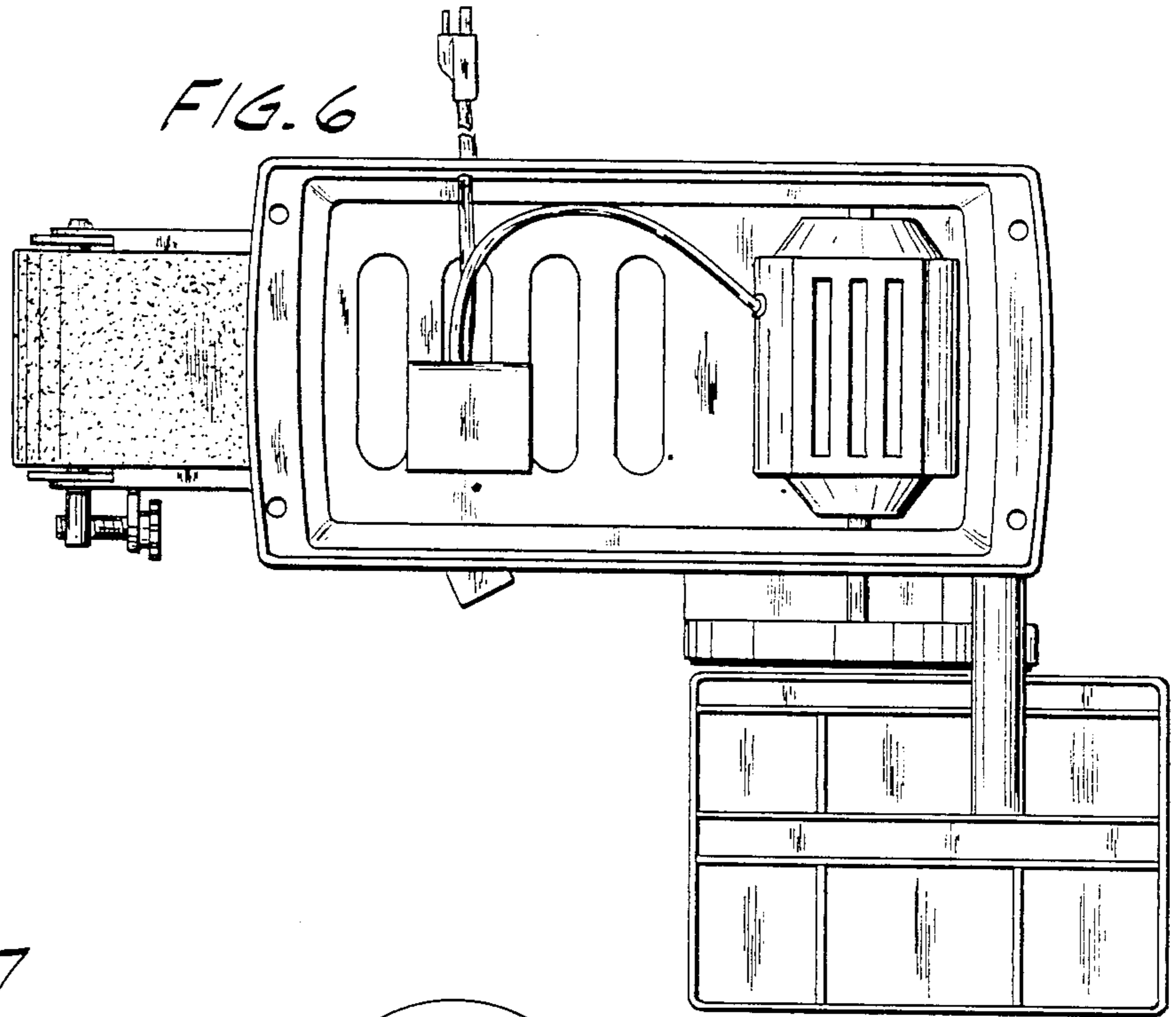


FIG. 7

