

[54] SELF HEATING JUG FOR BEVERAGES

[76] Inventor: Clive St. John Rumble, 51 Hays Mews, London W1X 7RT, England

[**] Term: 14 Years

[21] Appl. No.: 760,478

[22] Filed: Jul. 30, 1985

[30] Foreign Application Priority Data

Feb. 19, 1985 [GB] United Kingdom 1025115

[52] U.S. Cl. D7/317; D7/319

[58] Field of Search D7/300, 312, 317, 316, D7/318, 319, 321, 322, 310

[56] References Cited

U.S. PATENT DOCUMENTS

D. 220,773	5/1971	Dilyard	D7/317
D. 285,160	8/1986	Osit	D7/317
D. 287,807	1/1987	Wilson	D7/317
3,814,004	6/1974	Thornton	D7/321 X

OTHER PUBLICATIONS

Design 380, Aug. 1980, p. 41, top right-center, "Re-dring's Slanted Autoboil" sold by Woollies.
Design 408, Dec., 1982, p. 27, "Highline Jug Kettle" by Mike Komar for Russell Hobbs, top right panel.

Primary Examiner—Winifred E. Herrmann
Attorney, Agent, or Firm—Stevens, Davis, Miller & Mosher

[57] CLAIM

The ornamental design for a self heating jug for beverages, as shown.

DESCRIPTION

FIG. 1 is a front elevational view of a self heating jug for beverages, showing my new design;
FIG. 2 is a right side elevational view thereof;
FIG. 3 is a left side elevational view thereof;
FIG. 4 is a rear elevational view thereof;
FIG. 5 is a top plan view thereof;
FIG. 6 is a bottom plan view thereof; and,
FIG. 7 is a top, right side, and rear perspective view thereof.

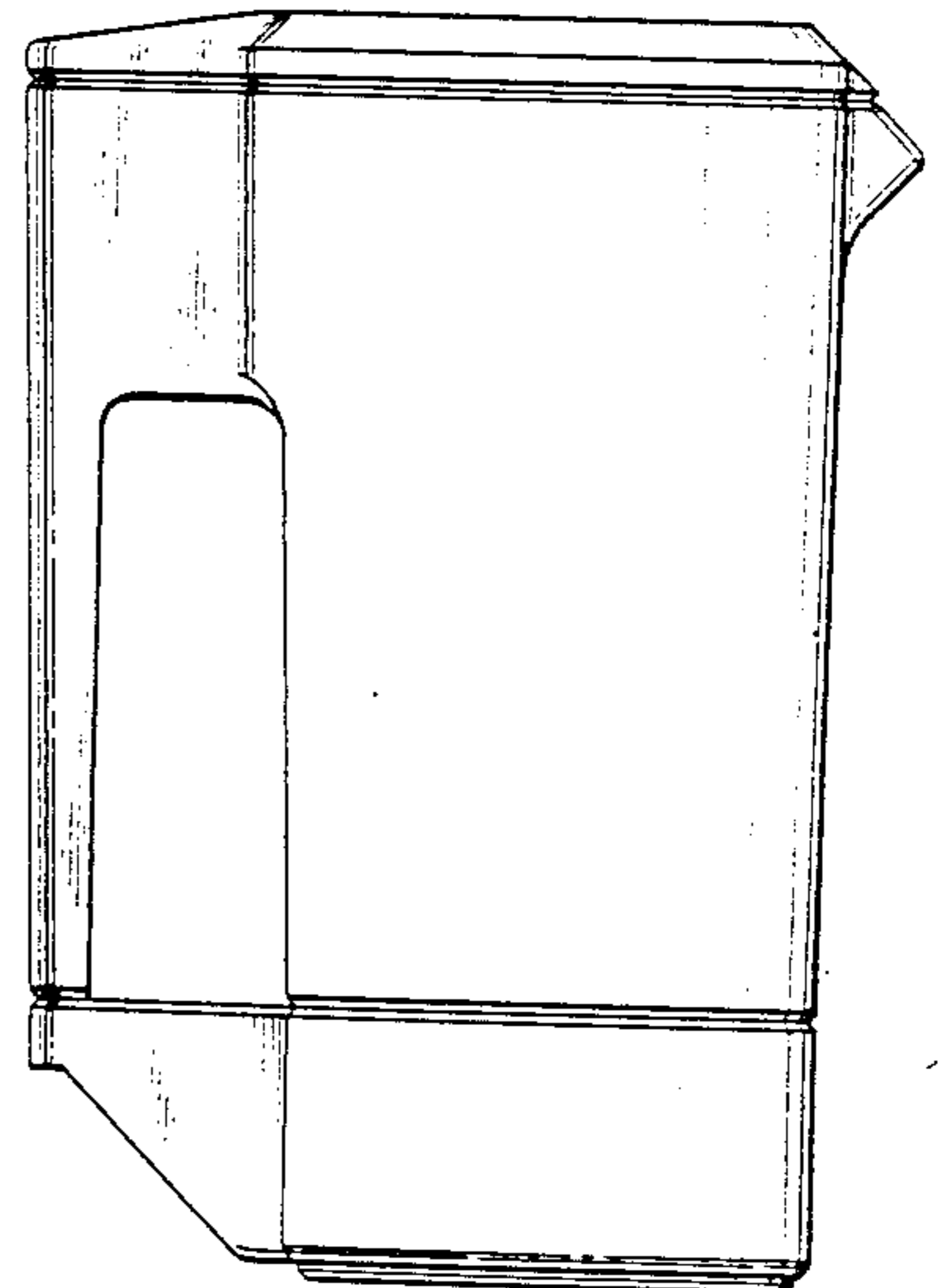
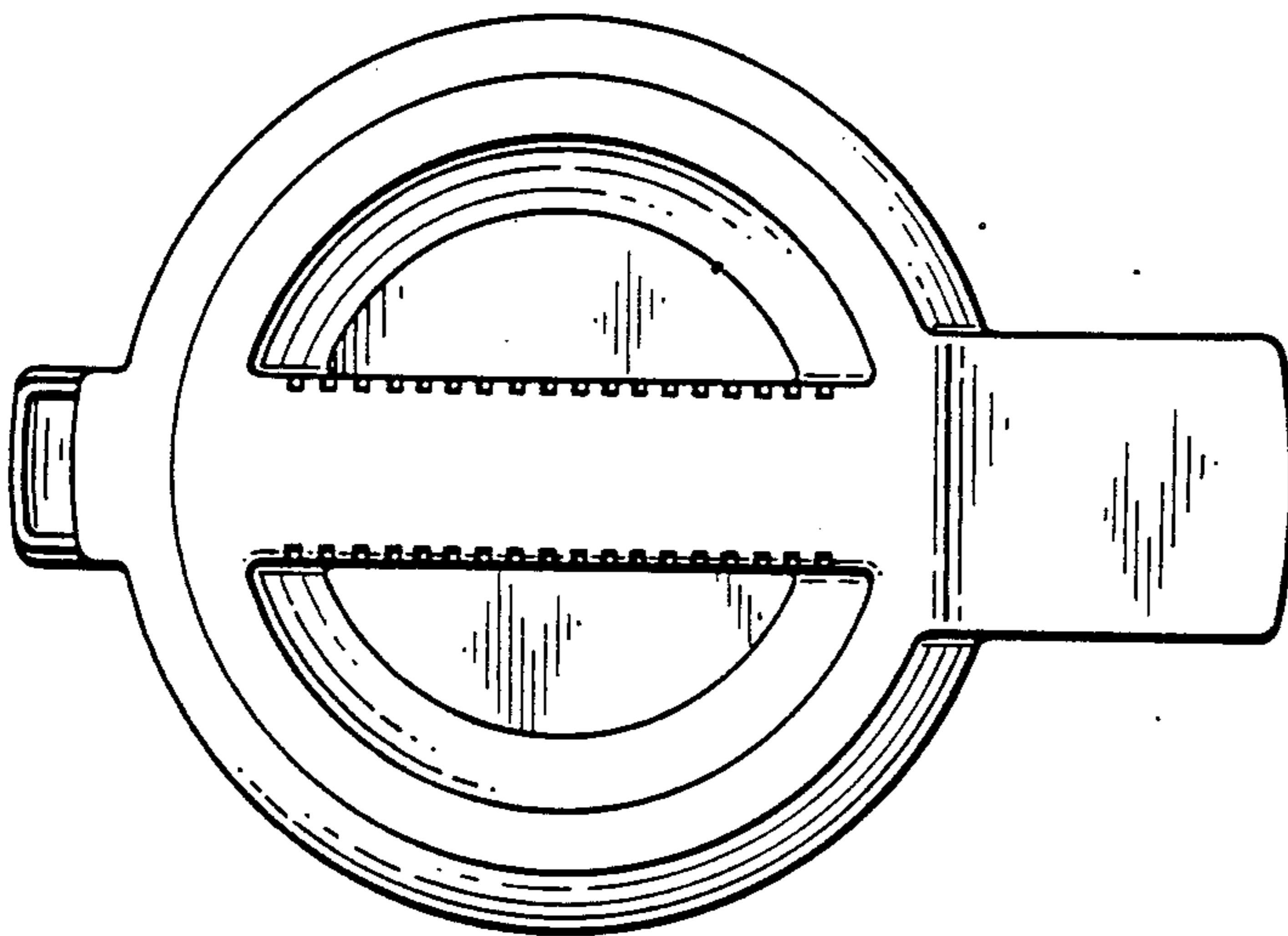


FIG. 1

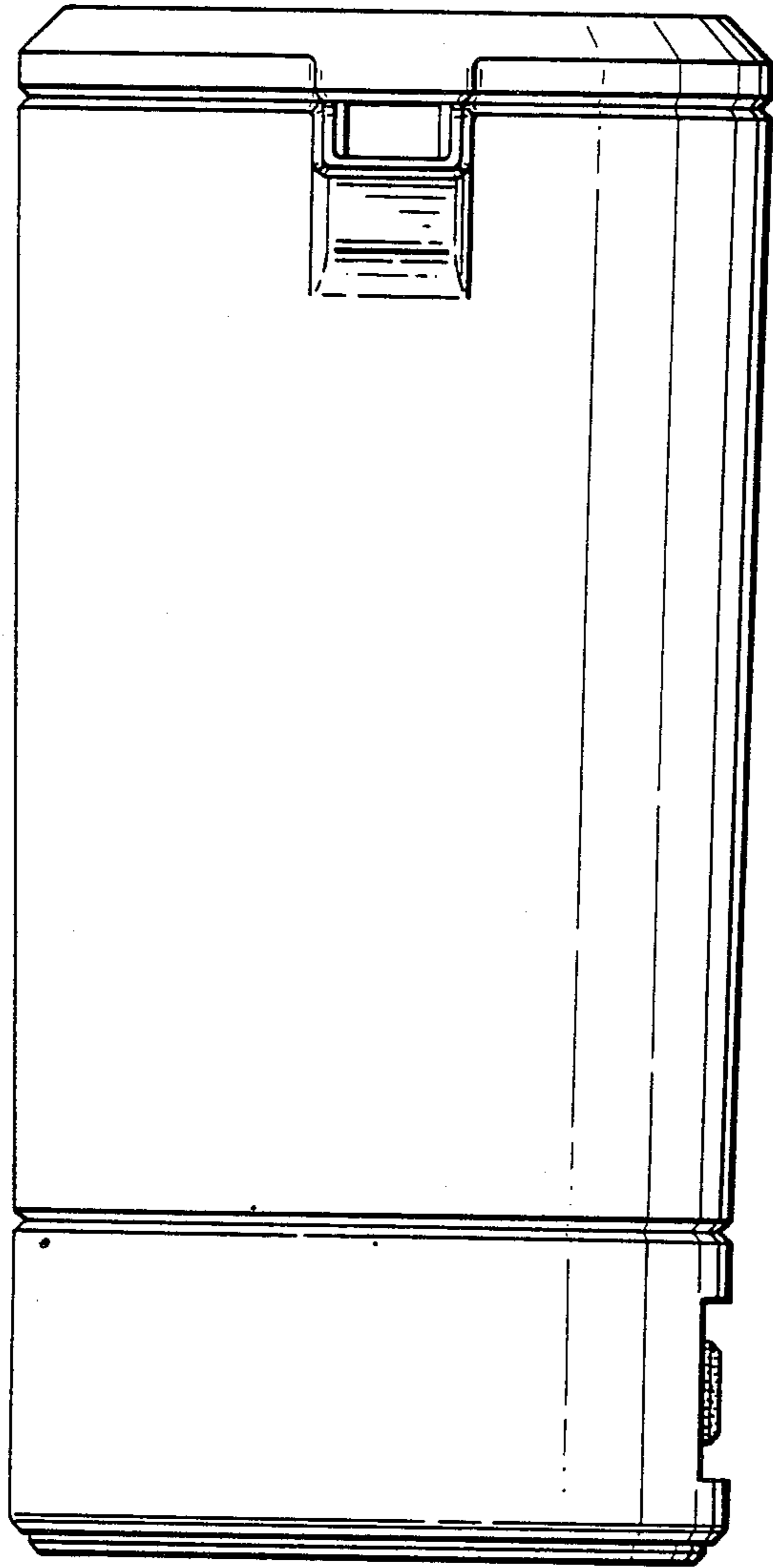


FIG. 2

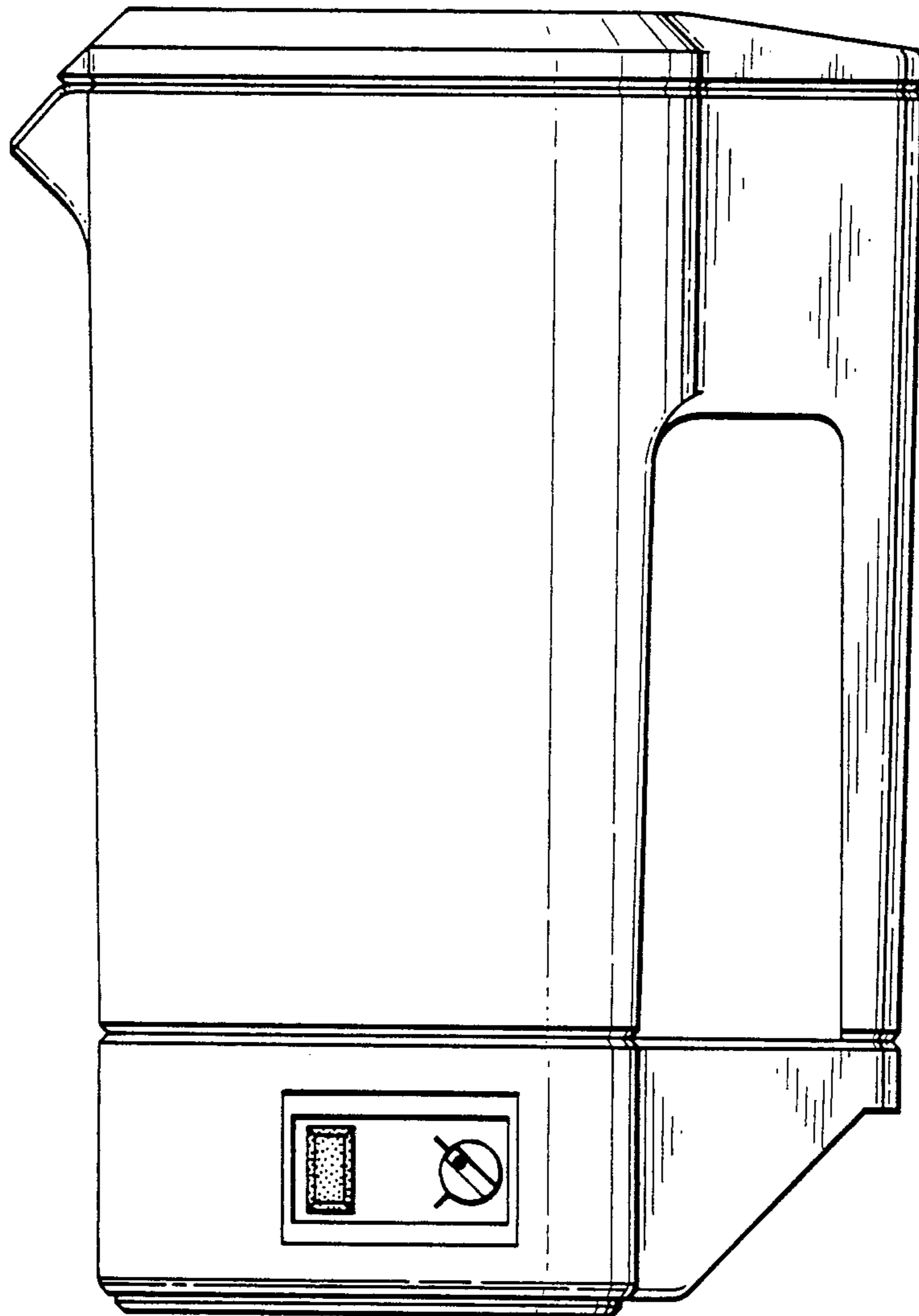


FIG. 3

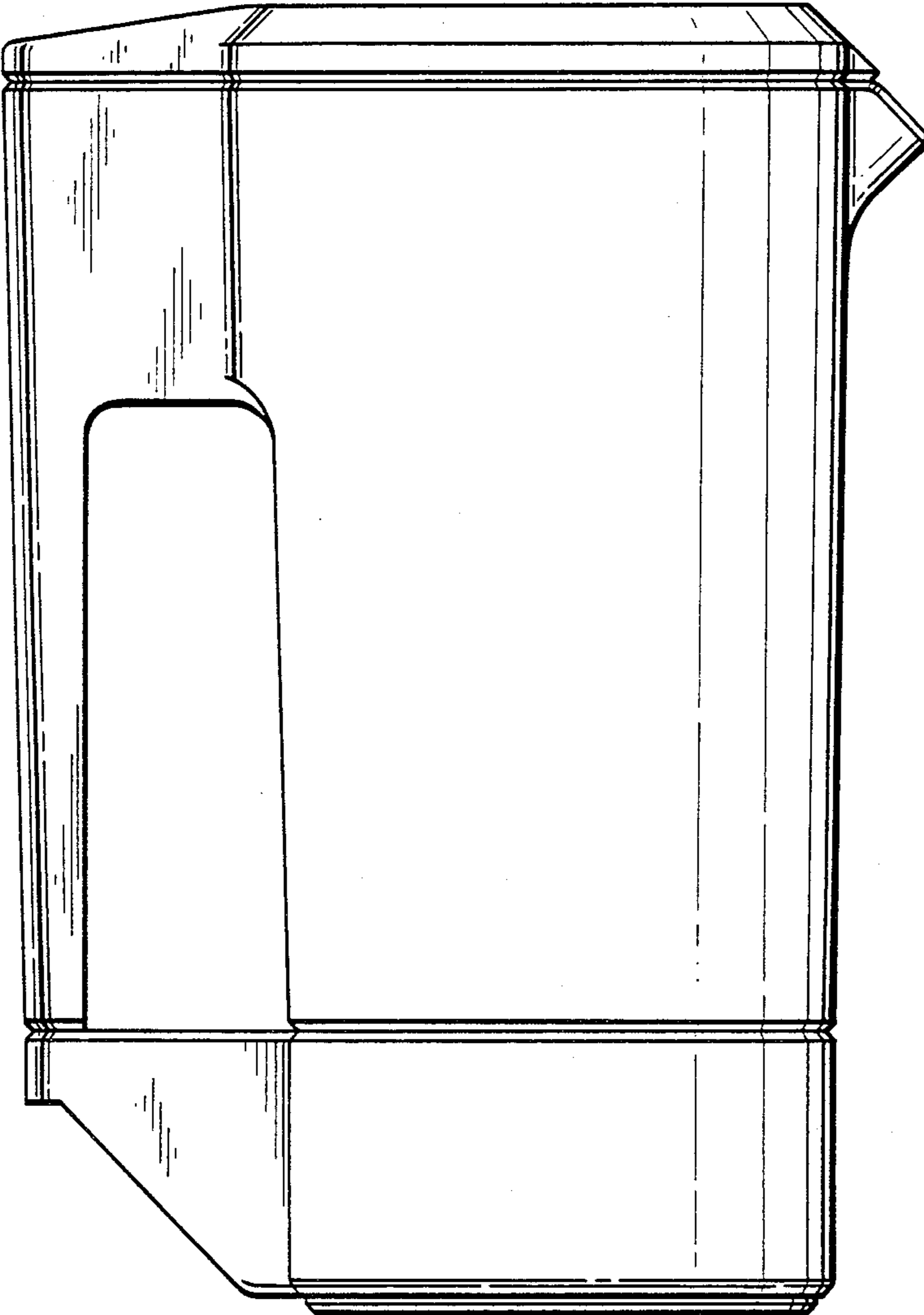


FIG. 4

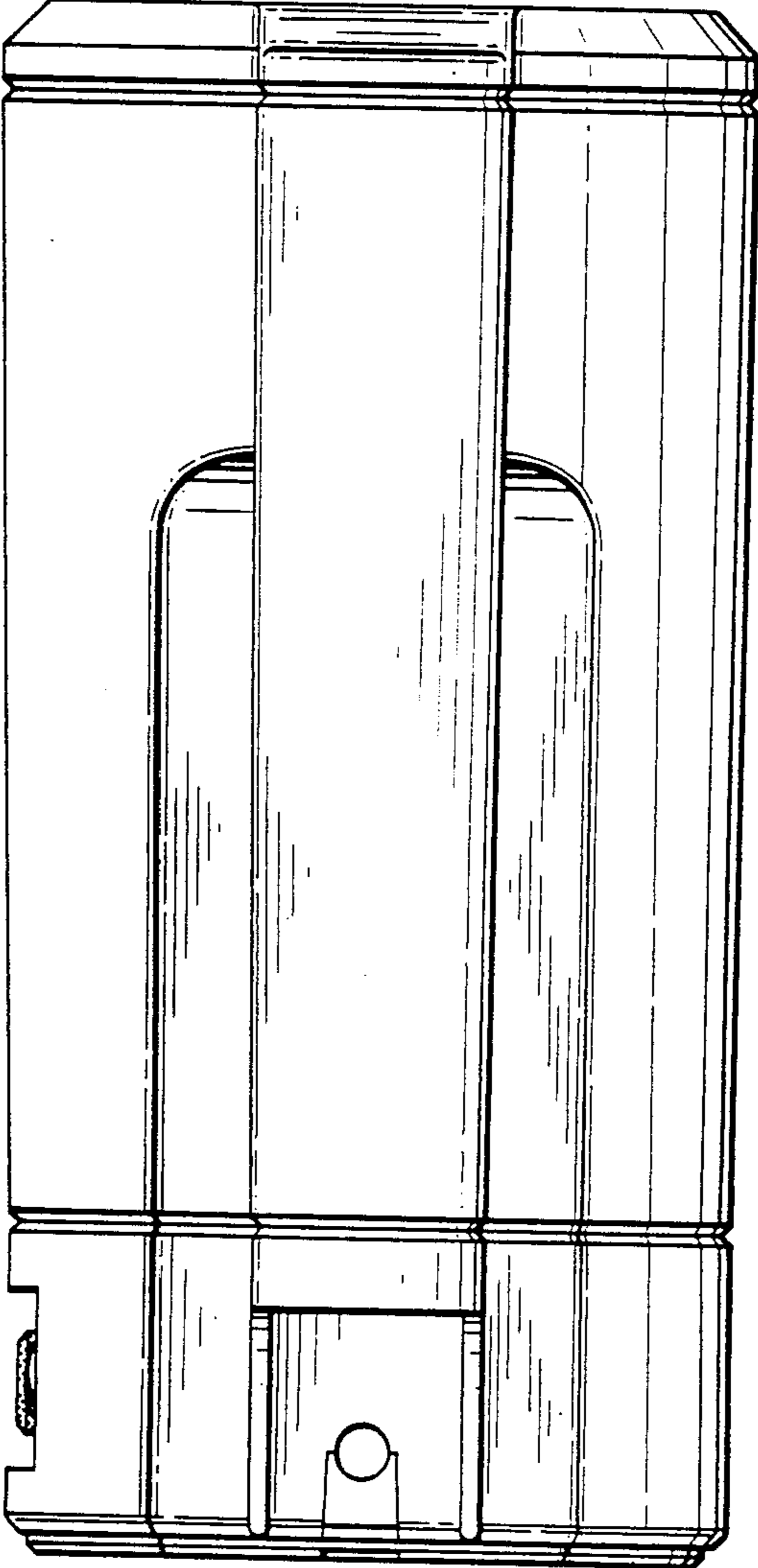


FIG. 5

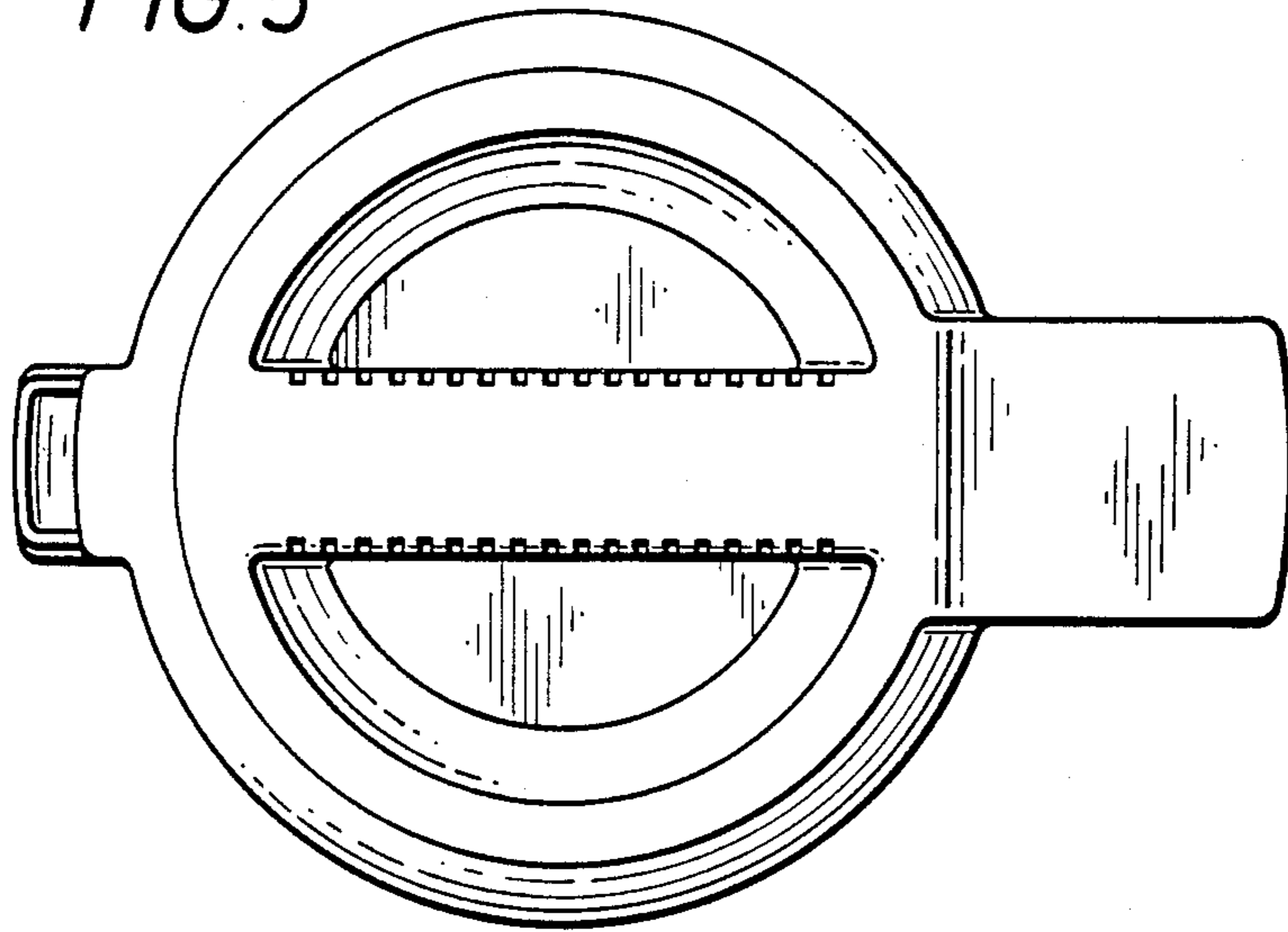


FIG. 6

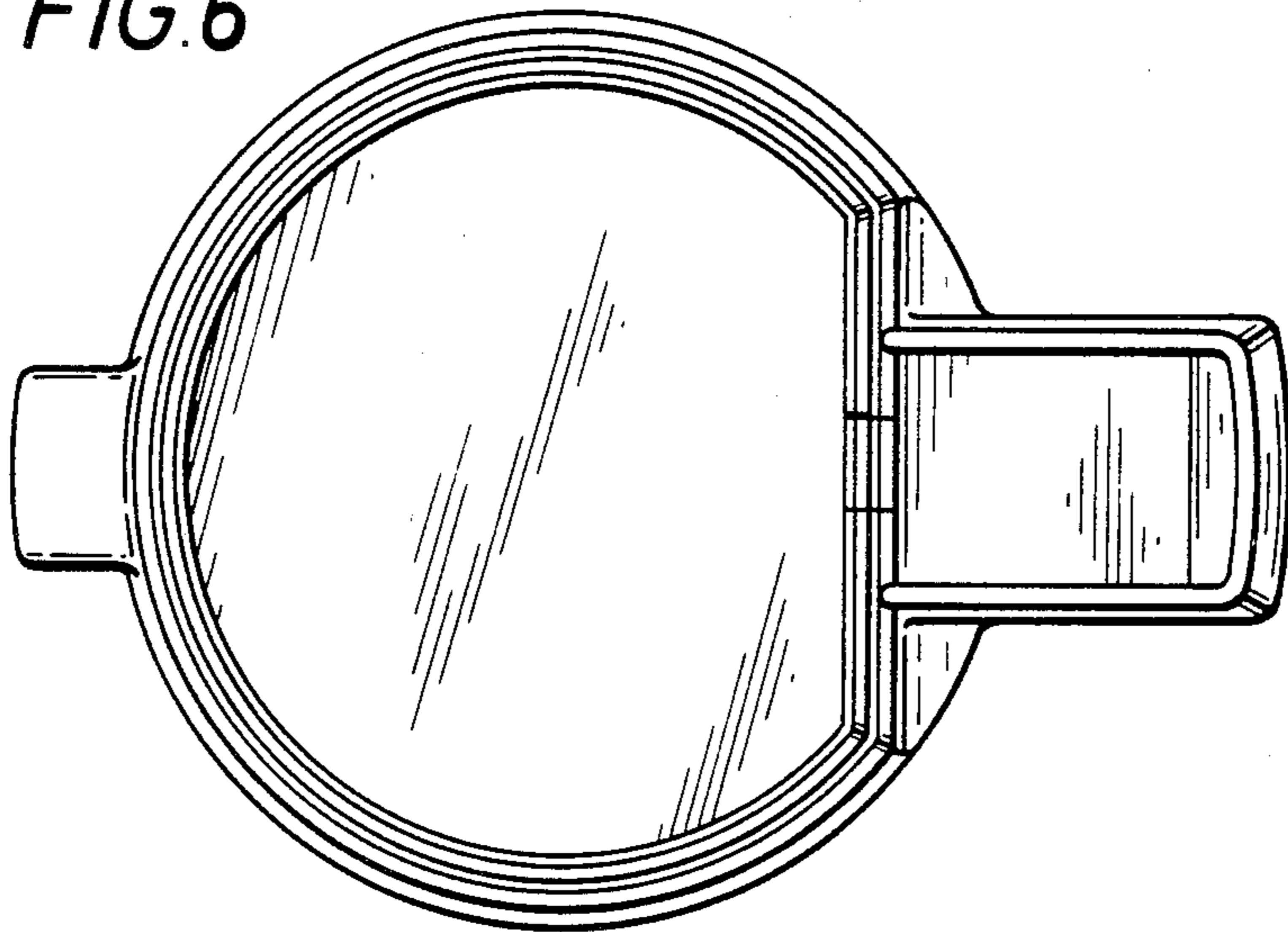


FIG. 7

