

United States Patent [19]

Balisteri

[11] Patent Number: **Des. 293,760**

[45] Date of Patent: **** Jan. 19, 1988**

- [54] **ELECTRONIC BEVERAGE DISPENSER**
- [76] Inventor: **Jonathan W. Balisteri**, 383 E. 23rd,
Newport Beach, Calif. 92660
- [**] Term: **14 Years**
- [21] Appl. No.: **687,655**
- [22] Filed: **Dec. 31, 1984**
- [52] U.S. Cl. **D7/312; D7/300;**
D7/311
- [58] Field of Search **D7/305, 309, 311, 308,**
D7/312, 306, 307, 397, 398, 399; 222/129.1,
129.2, 129.3, 129.4; D23/4; D6/481

[56] **References Cited**

U.S. PATENT DOCUMENTS

- D. 97,871 12/1935 Seitz D7/306
D. 207,082 2/1967 Miller D7/307
D. 261,657 11/1981 Villa D7/306

- 3,777,937 12/1973 Buck 222/129.4 X
4,577,782 3/1986 Fessler 222/129.1

FOREIGN PATENT DOCUMENTS

- 635818 3/1962 Italy 222/129.1

Primary Examiner—Winifred E. Herrmann
Attorney, Agent, or Firm—Knobbe, Martens, Olson &
Bear

[57] **CLAIM**

The ornamental design for an electronic beverage dispenser, as shown.

DESCRIPTION

FIG. 1 is a perspective view showing the front, top, and left side of an electronic beverage dispenser showing my new design.

FIG. 2 is another perspective view showing the back, top, and right side thereof.

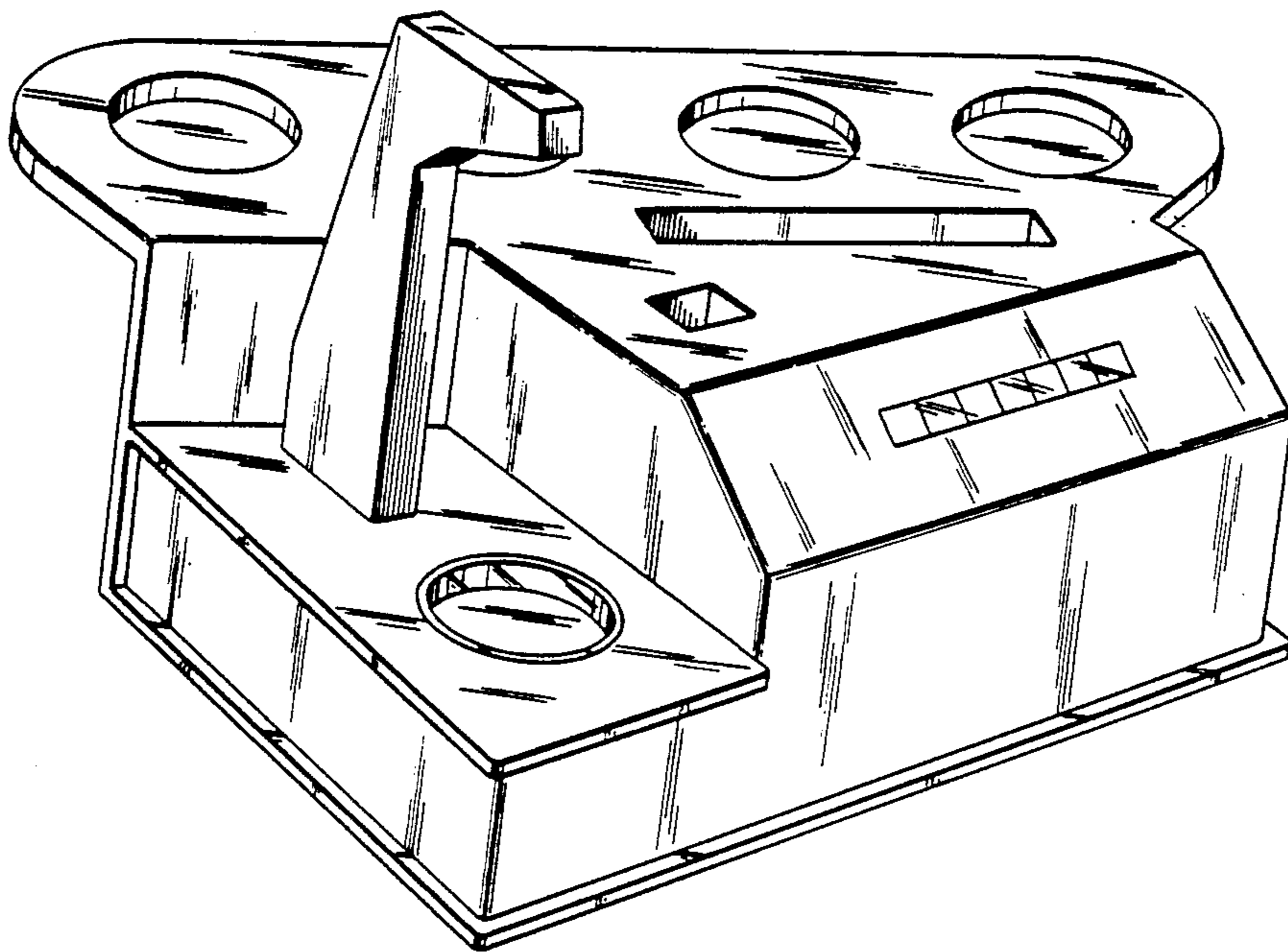


Fig. 1

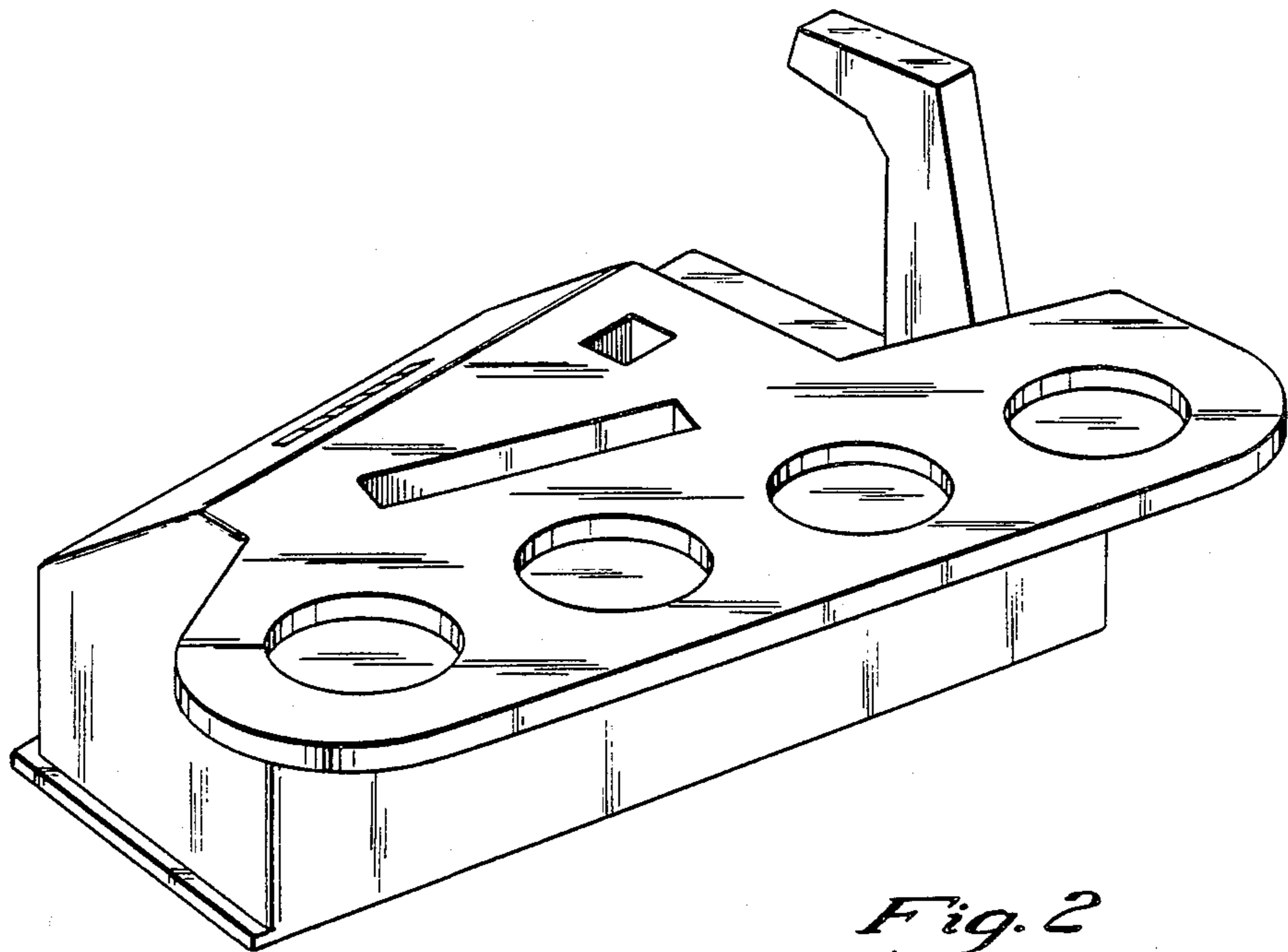
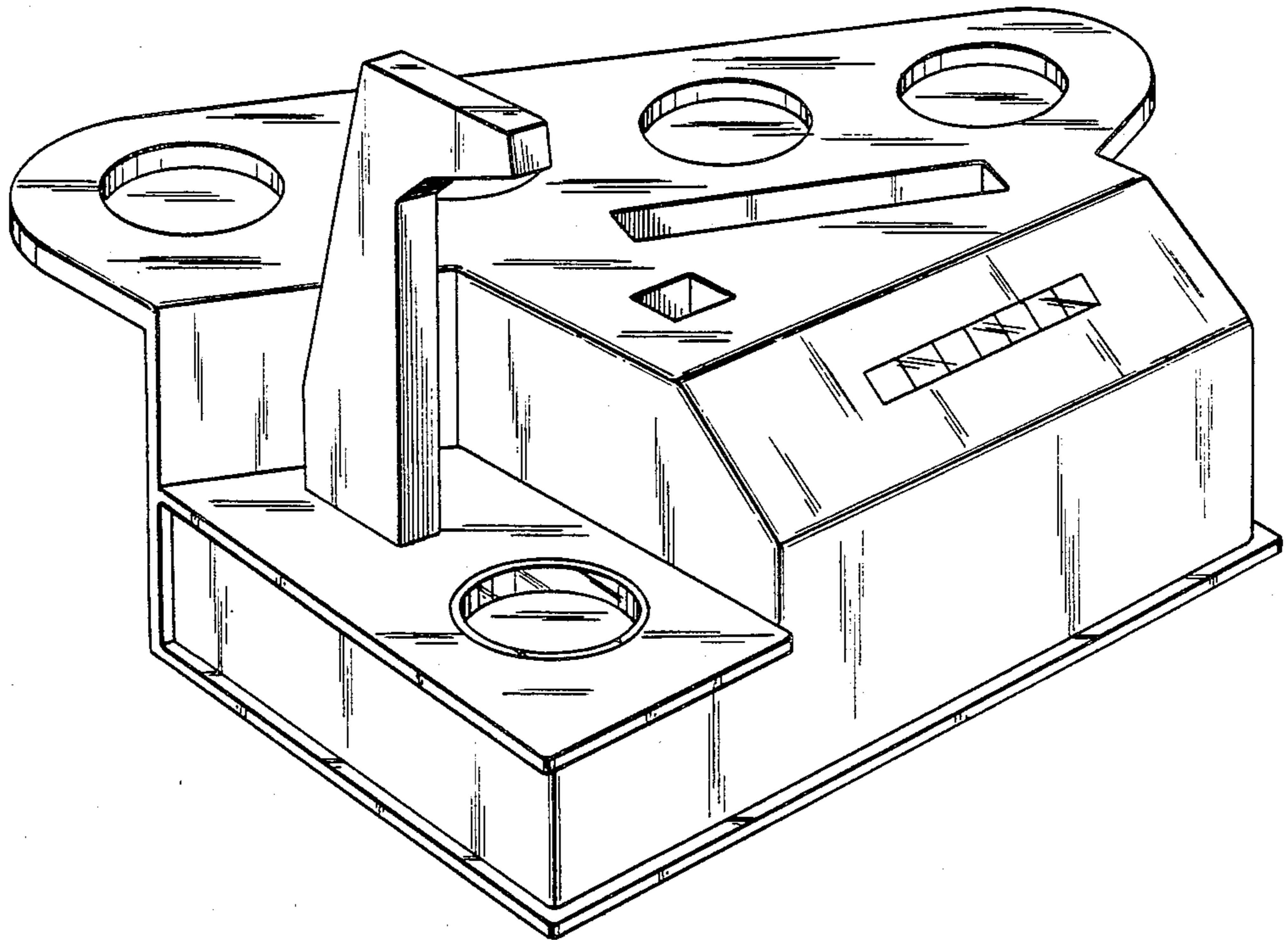


Fig. 2