

# United States Patent [19]

Balisteri

[11] Patent Number: Des. 293,758

[45] Date of Patent: \*\* Jan. 19, 1988

[54] ELECTRONIC BEVERAGE DISPENSER

[76] Inventor: Jonathan W. Balisteri, 383 E. 23rd, Newport Beach, Calif. 92660

[\*\*] Term: 14 Years

[21] Appl. No.: 686,831

[22] Filed: Dec. 27, 1984

[52] U.S. Cl. .... D7/312; D7/300; D7/311

[58] Field of Search ..... D7/305, 309, 311, 308, D7/312, 306, 307, 397, 398, 399; 222/129.1, 129.2, 129.3, 129.4; D23/4; D6/481

[56] References Cited

### U.S. PATENT DOCUMENTS

- D. 92,323 5/1934 Semon ..... D7/398
- D. 97,871 12/1935 Seitz ..... D7/306
- D. 207,082 2/1967 Miller ..... D7/307

- D. 261,657 11/1981 Villa ..... D7/306
- 3,777,937 12/1973 Buck ..... 222/129.4 X

### FOREIGN PATENT DOCUMENTS

- 635818 3/1962 Italy ..... 222/129.1

Primary Examiner—Winifred E. Herrmann  
Attorney, Agent, or Firm—Knobbe, Martens, Olson & Bear

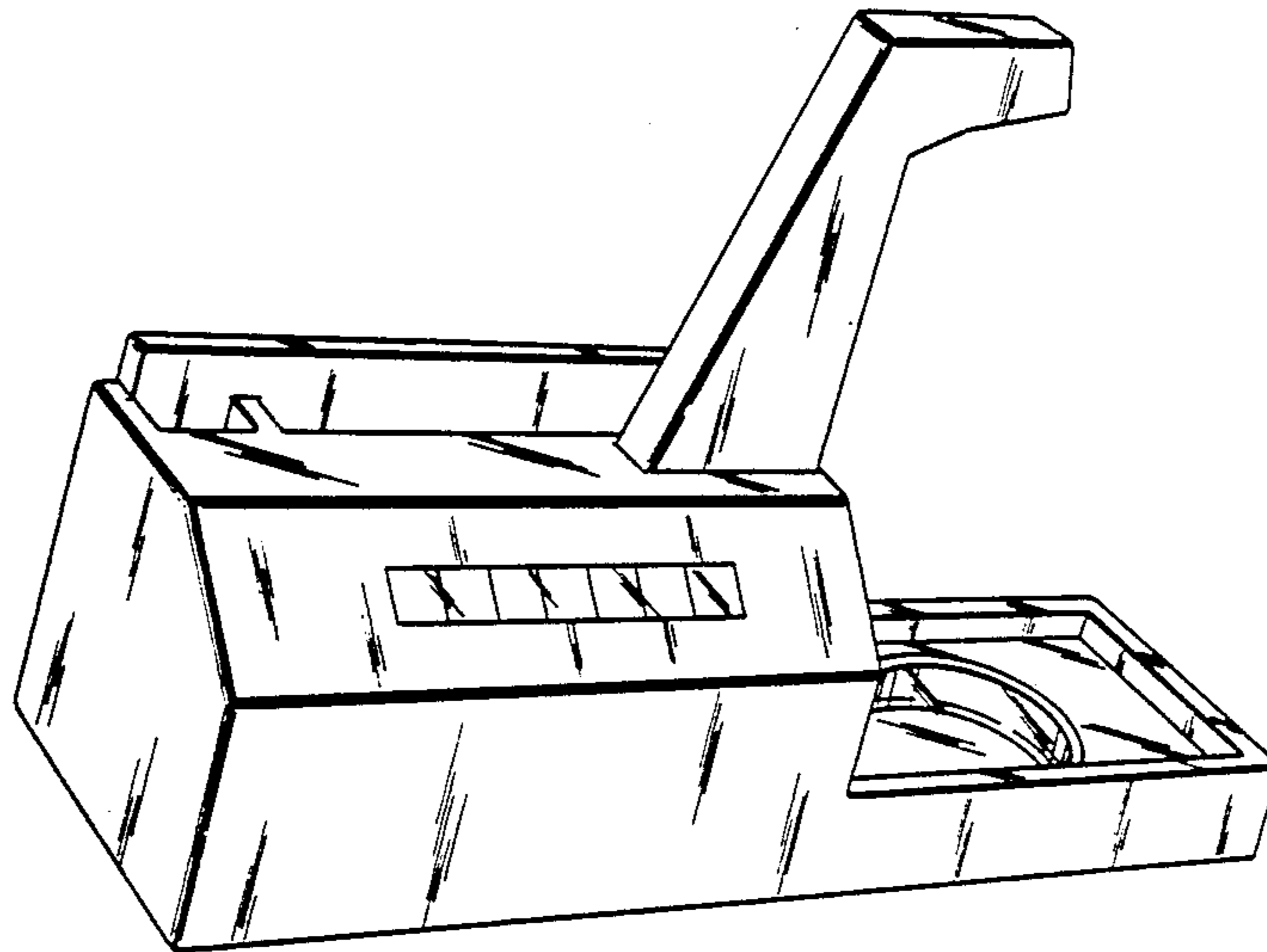
### [57] CLAIM

The ornamental design for an electronic beverage dispenser, as shown.

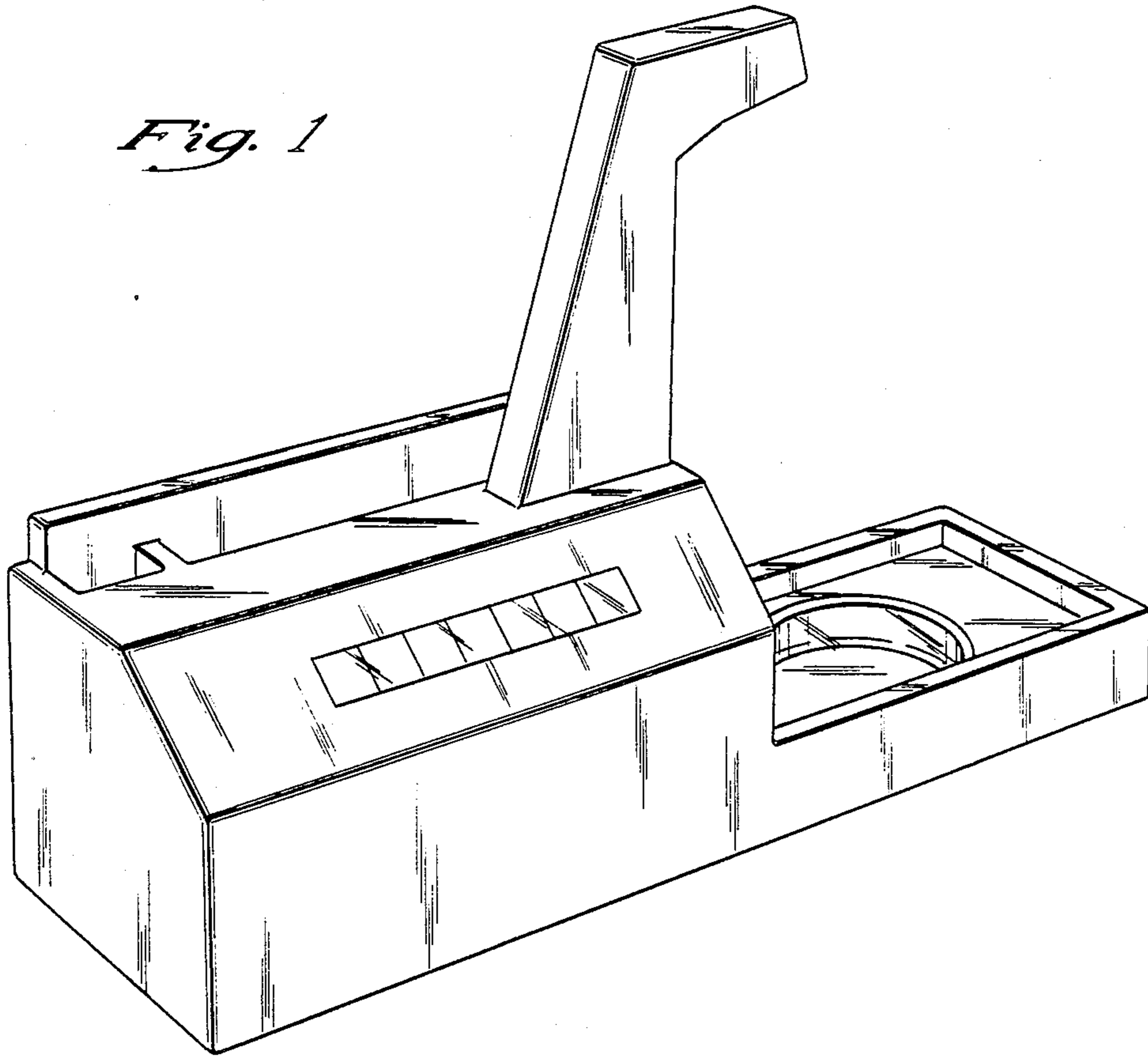
### DESCRIPTION

FIG. 1 is a perspective view showing the front, top, and left side of an electronic beverage dispenser showing my new design.

FIG. 2 is another perspective view showing the back, top, and right side thereof.



*Fig. 1*



*Fig. 2*

