

[54] GARLIC-SQUEEZER

[76] Inventor: Gianpiero Pedrini, Via Val Passiria 31, Brescia, Italy

[**] Term: 14 Years

[21] Appl. No.: 647,334

[22] Filed: Sep. 4, 1984

[30] Foreign Application Priority Data

Mar. 19, 1984 [IT] Italy 21282/84[U]

[52] U.S. Cl. D7/161; D7/47

[58] Field of Search D7/47, 101, 99, 48; 100/234; 99/495

[56] References Cited

U.S. PATENT DOCUMENTS

- D. 123,490 11/1940 Saffell D7/99
- D. 181,054 9/1957 Hofberger D7/101
- D. 279,754 7/1985 Hansen D7/101
- 2,776,616 1/1957 Sarossy D7/48 X

OTHER PUBLICATIONS

Kitchen Bazaar, p. 7, garlic press, item Q, bottom, right corner.

Primary Examiner—Bernard Ansher

Assistant Examiner—Terry Pfeffer

Attorney, Agent, or Firm—Guido Modiano; Albert Josif

[57] CLAIM

The ornamental design for garlic-squeezer, as shown and described.

DESCRIPTION

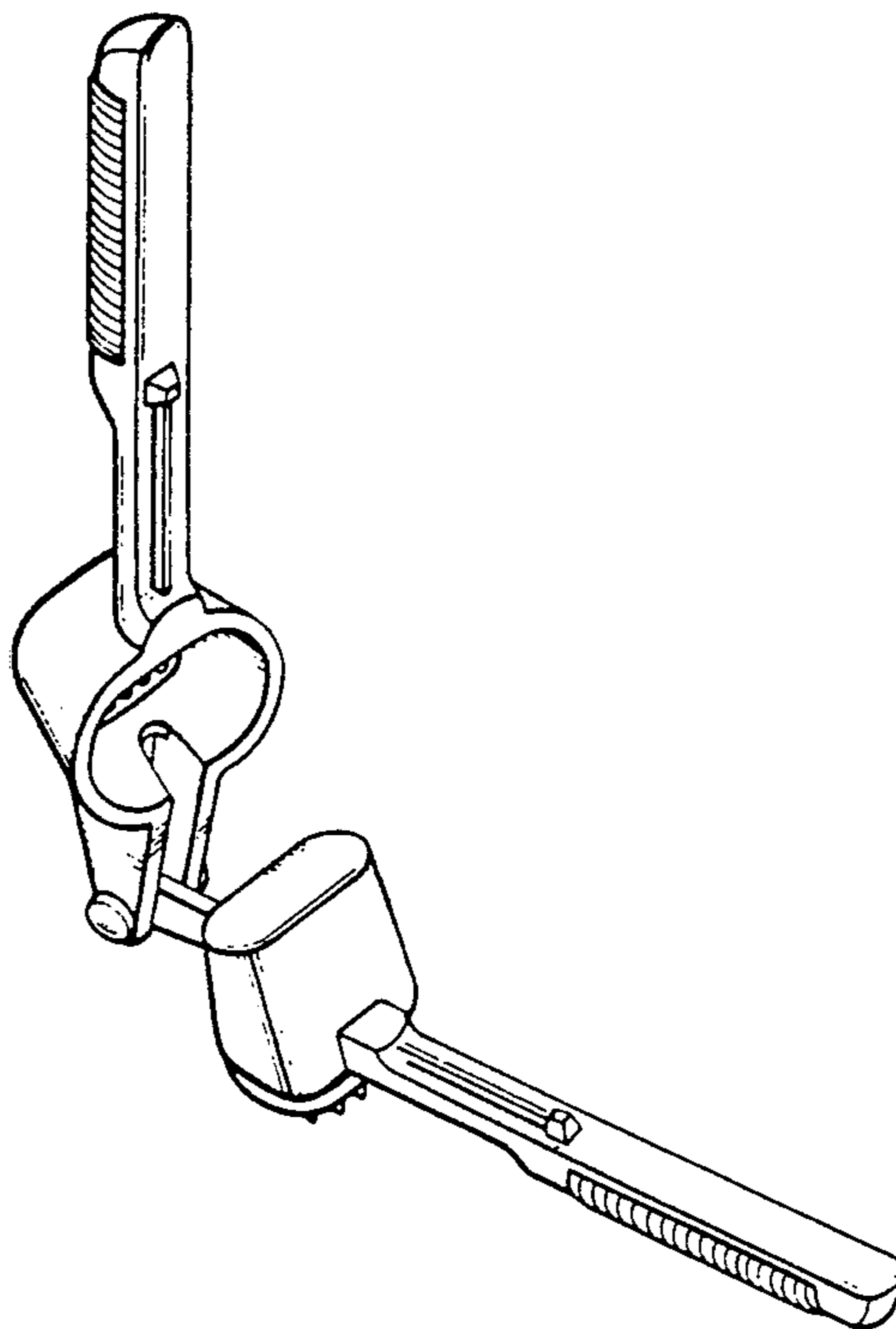
FIG. 1 is a perspective view of the garlic-squeezer showing my new design;

FIG. 2 is a bottom plan view thereof;

FIG. 3 is a right side elevational view thereof;

FIG. 4 is a front elevational view thereof;

FIG. 5 is a rear elevational view thereof; the left side view is a mirror image of the right side view illustrated in FIG. 3.



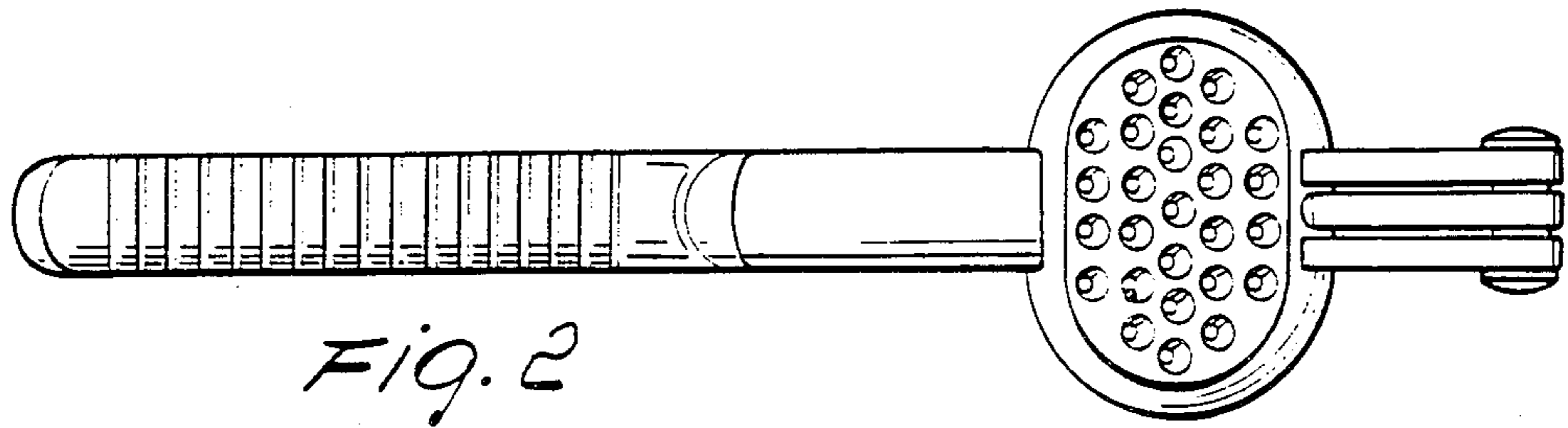


FIG. 2

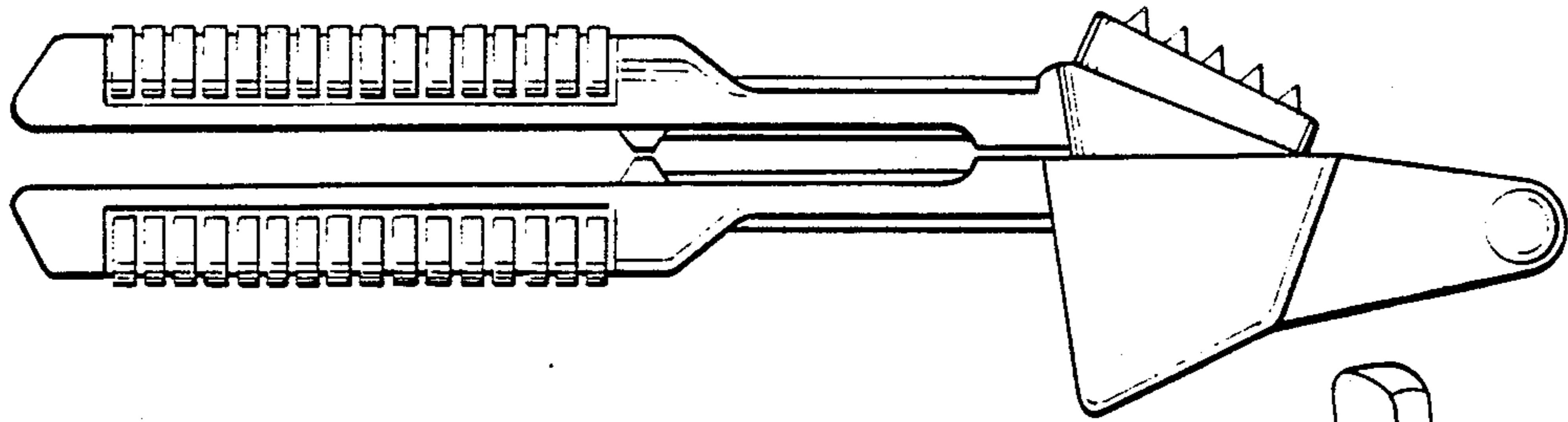


FIG. 3

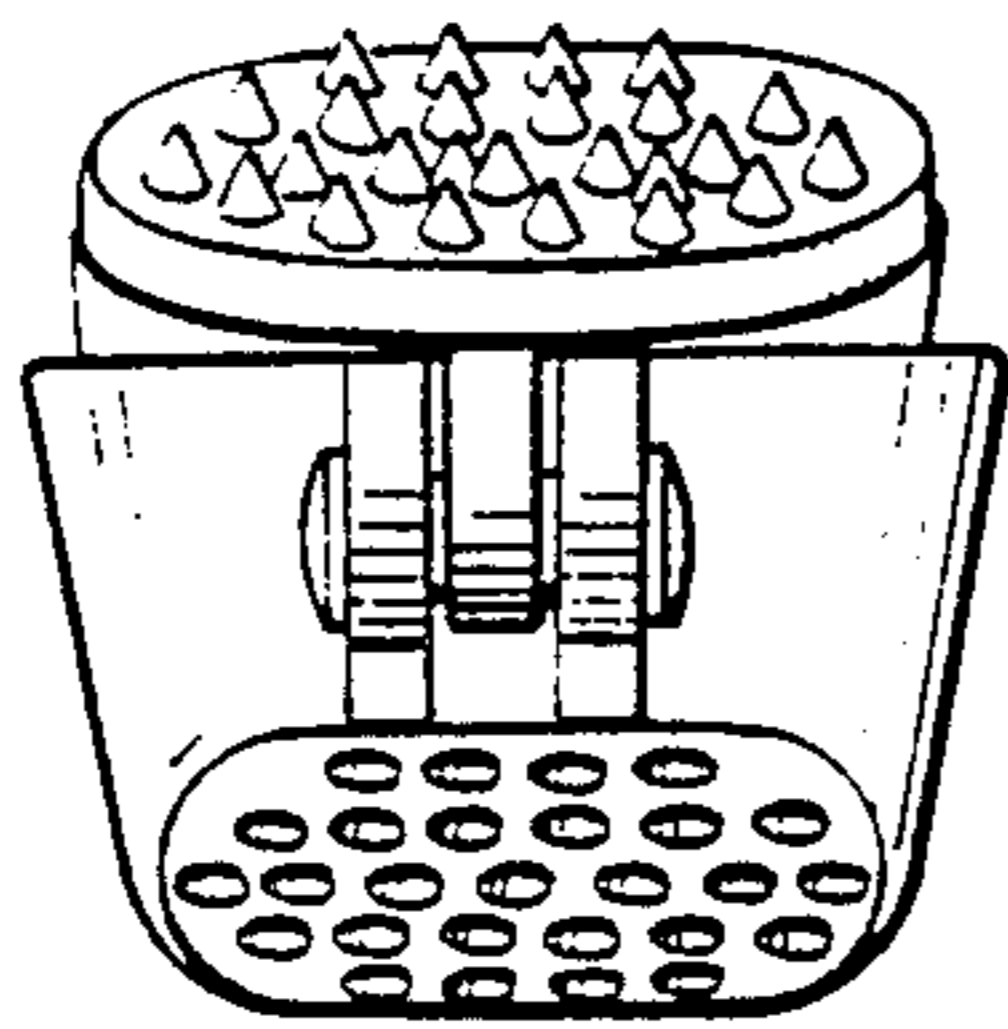


FIG. 4

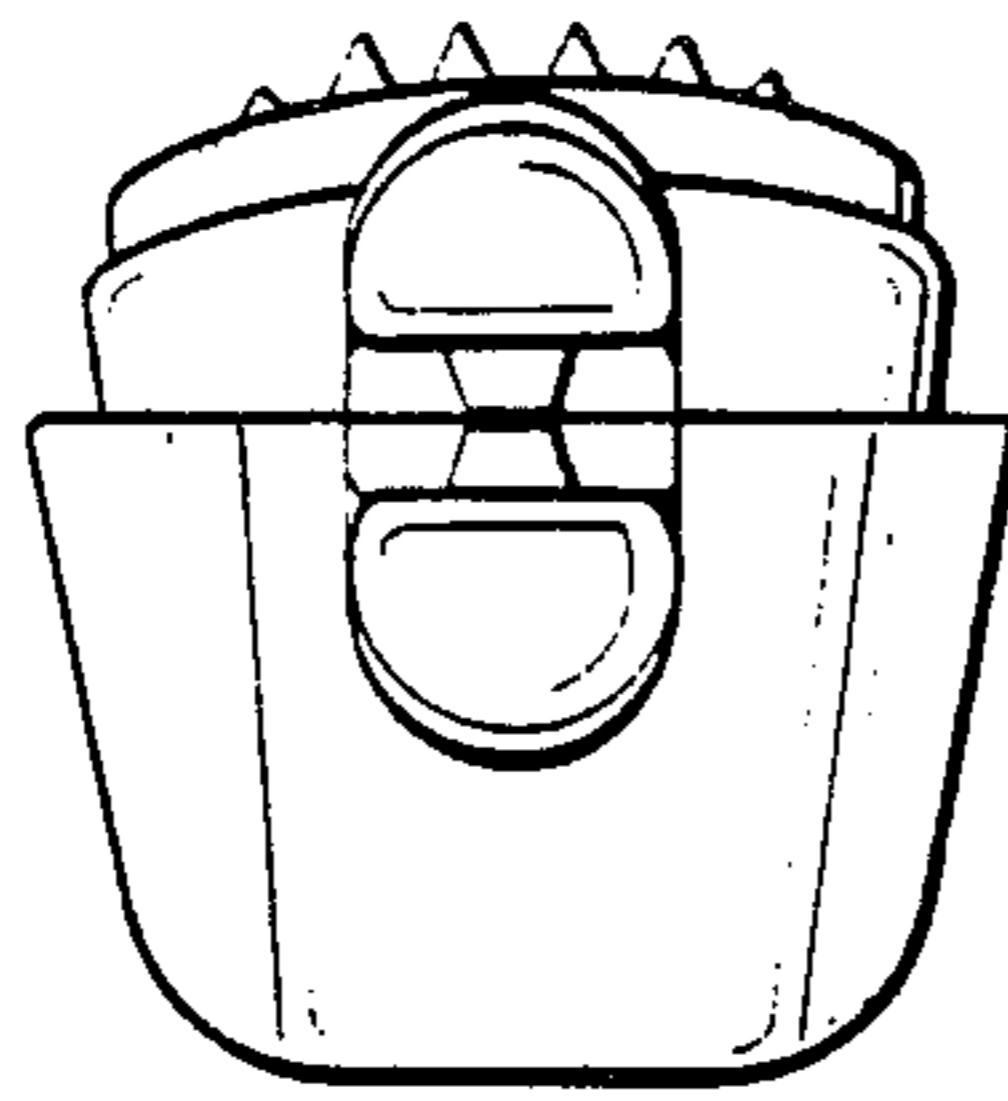


FIG. 5

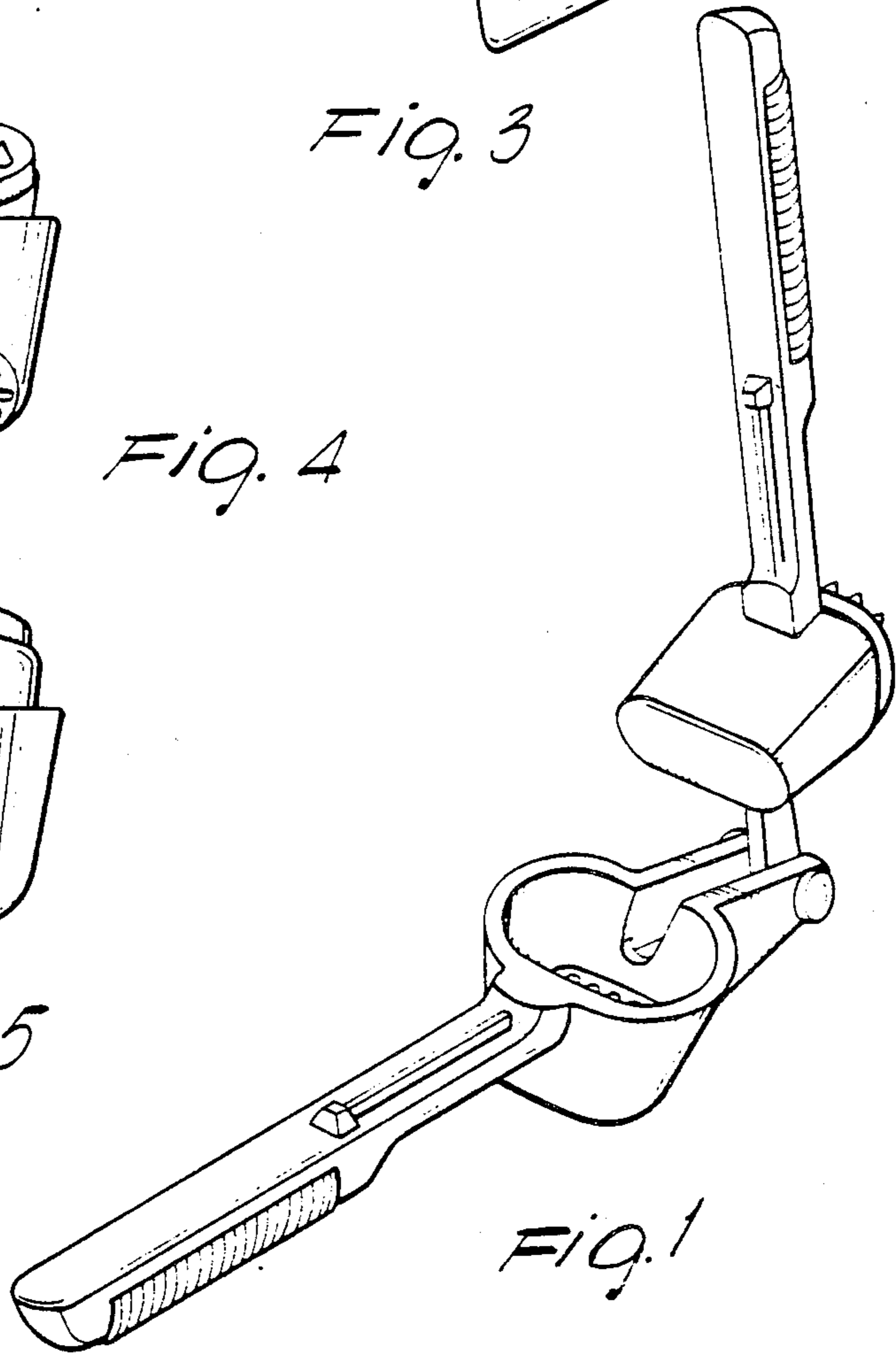


FIG. 1