

[54] SOAP STORAGE DISH

[76] Inventor: Howard Sussman, 3101 NW. 25th Ave., Pompano Beach, Fla. 33060

[**] Term: 14 Years

[21] Appl. No.: 792,208

[22] Filed: Oct. 28, 1985

[52] U.S. Cl. D6/536

[58] Field of Search D6/536, 538, 539, 540; 206/77.1; 248/309.1, 359 R, 359 A, 359.1, 360, 316.8

[56]

References Cited

U.S. PATENT DOCUMENTS

D. 42,518	5/1912	Ungrich	D6/536
D. 146,306	2/1947	Gray	D6/536
D. 147,515	9/1947	Treiber	D6/536
D. 203,331	12/1965	Lanczi	D6/536
2,505,387	4/1950	Dantzler	248/316.8

3,054,211 9/1962 Hawk et al. 206/77.1

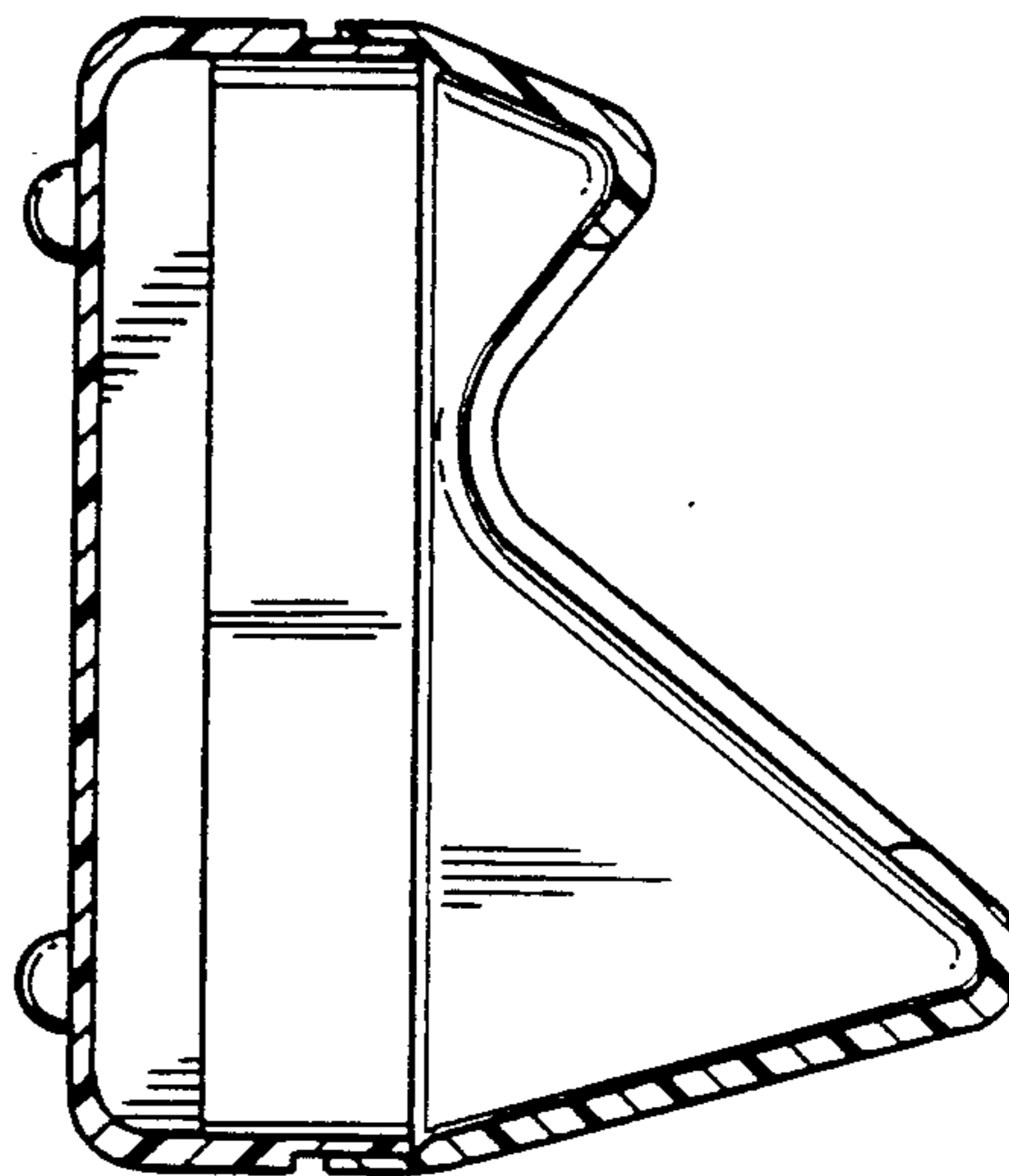
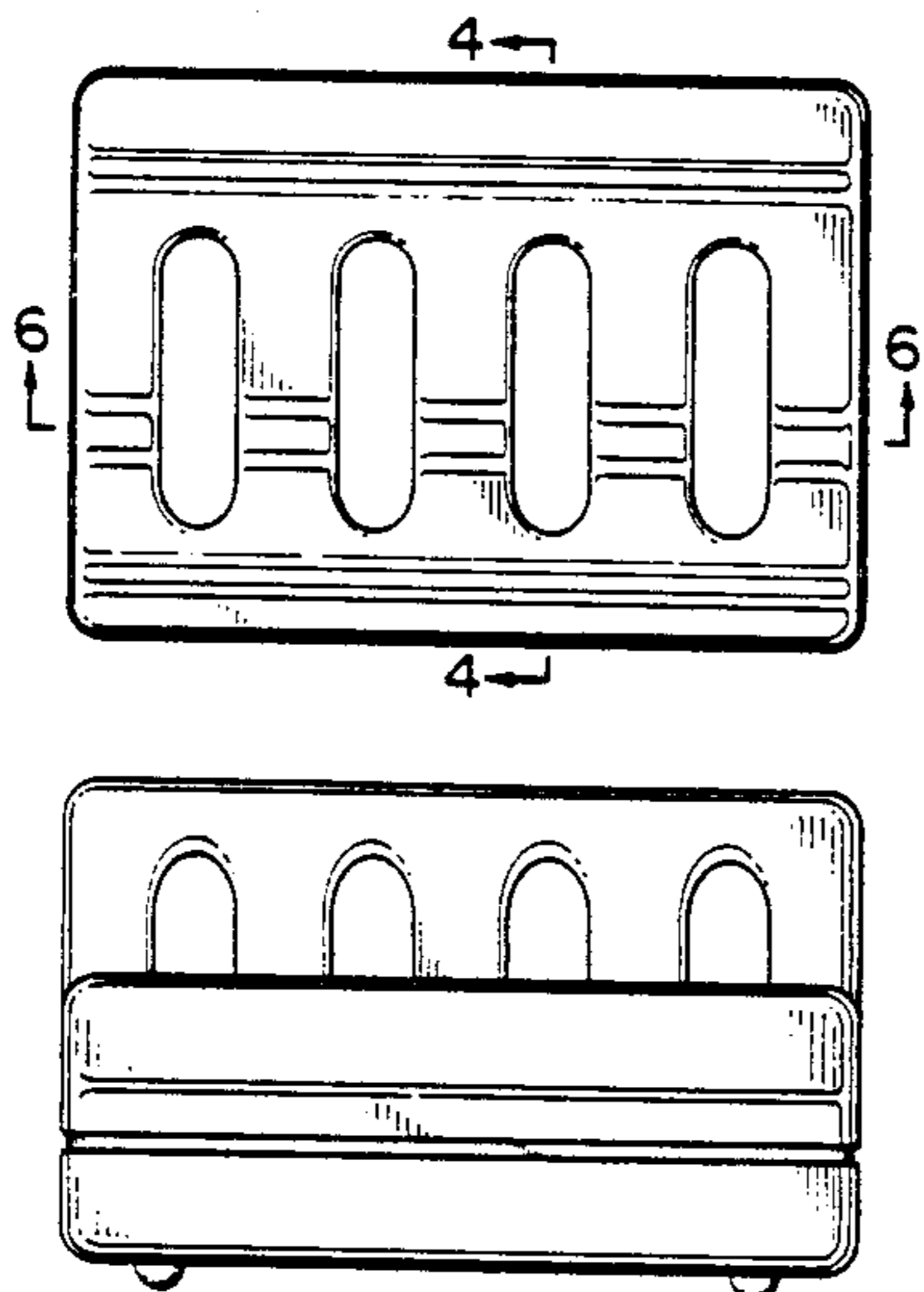
Primary Examiner—B. J. Bullock
Attorney, Agent, or Firm—Myron Amer

[57] CLAIM

The ornamental design for a soap storage dish, as shown and described.

DESCRIPTION

FIG. 1 is a top plan view of a soap storage dish showing my new design;
FIG. 2 is a front elevational view thereof;
FIG. 3 is a bottom view thereof;
FIG. 4 is a sectional view taken in the direction of the arrows on line 4—4 of FIG. 1;
FIG. 5 is a rear elevational view thereof; and
FIG. 6 is a sectional view taken in the direction of the arrows on line 6—6 of FIG. 1;
FIG. 7 is a right end elevational view thereof, the left end elevational view being a mirror image thereof.



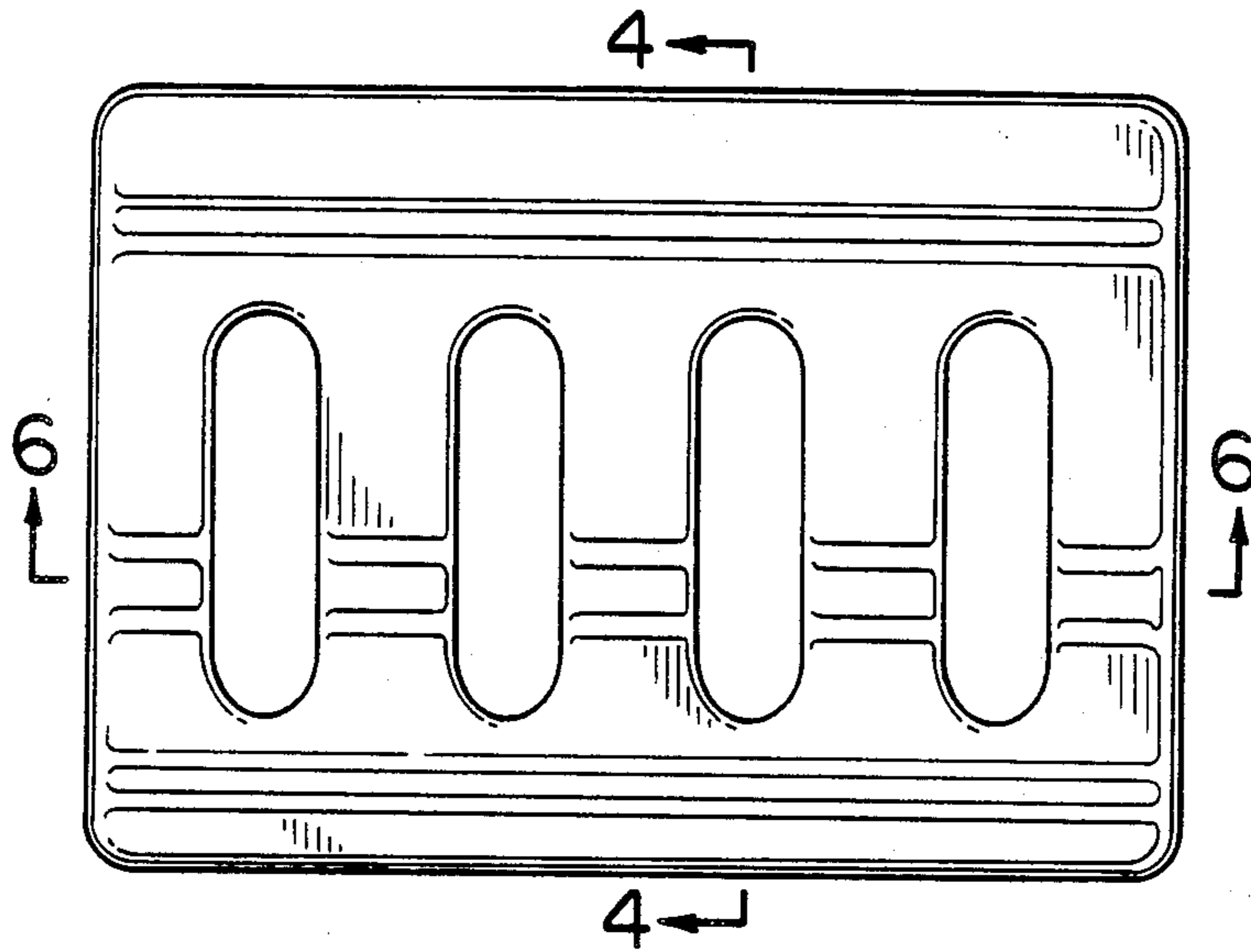


FIG. 1

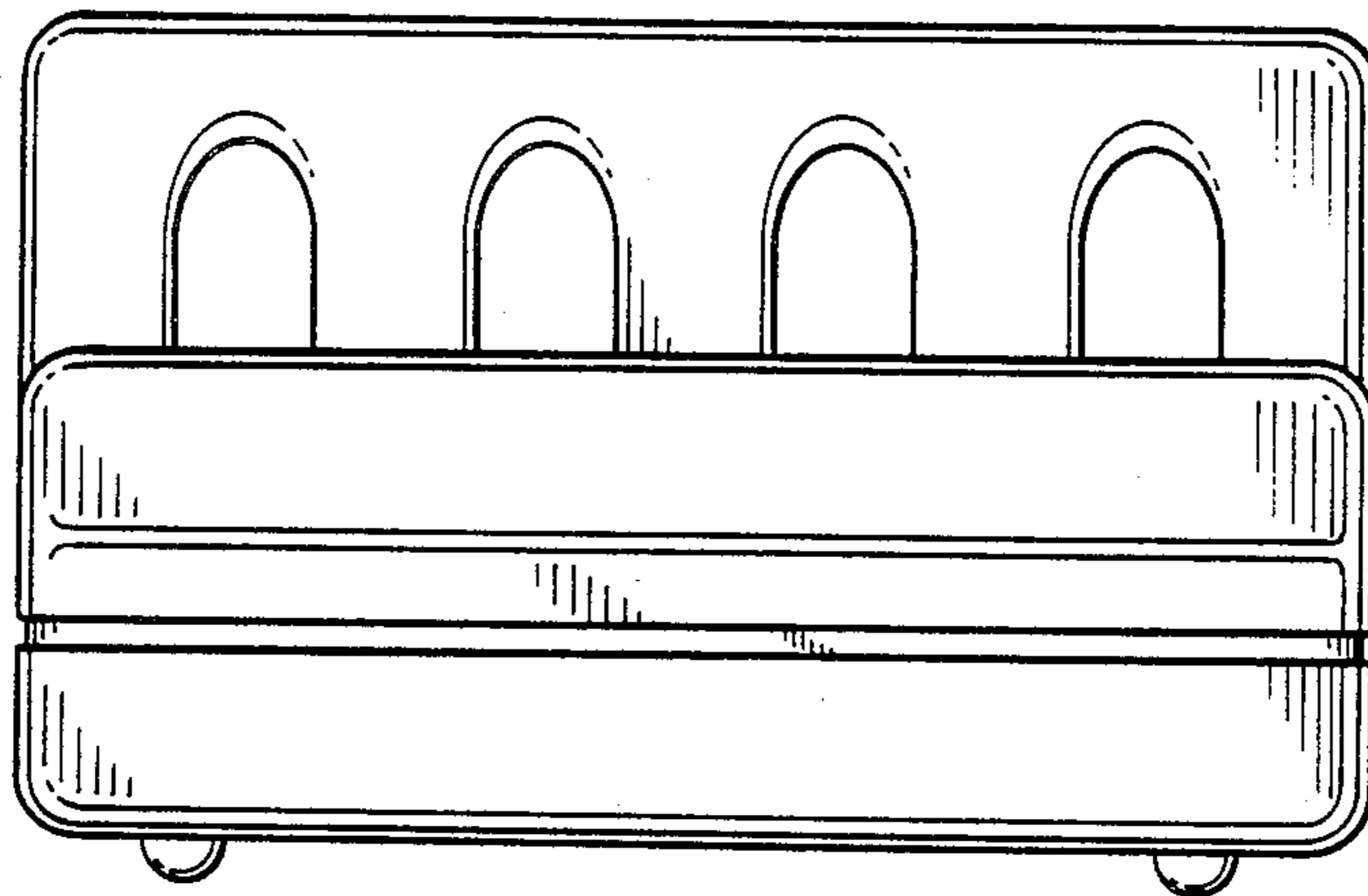


FIG. 2

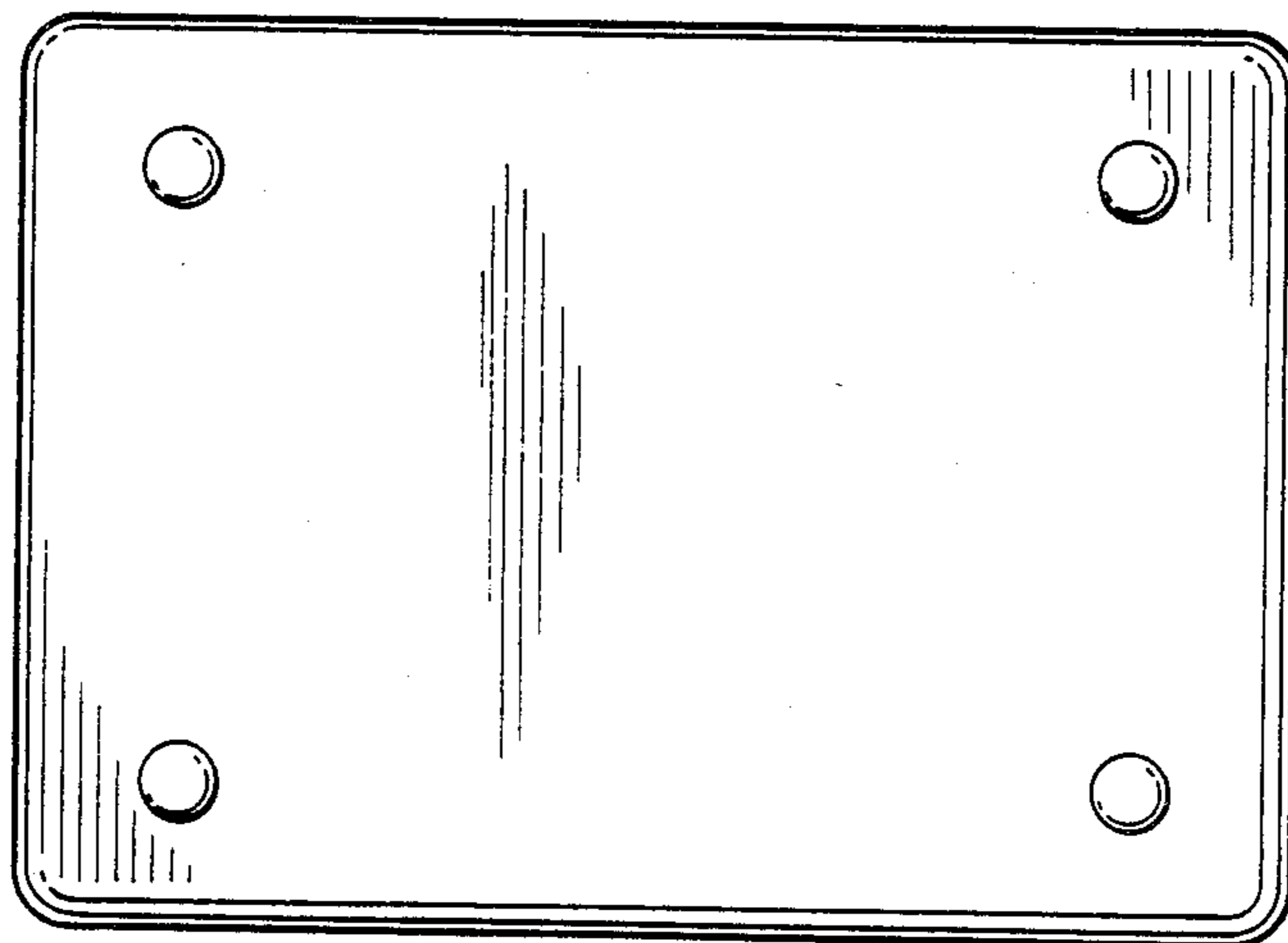


FIG. 3

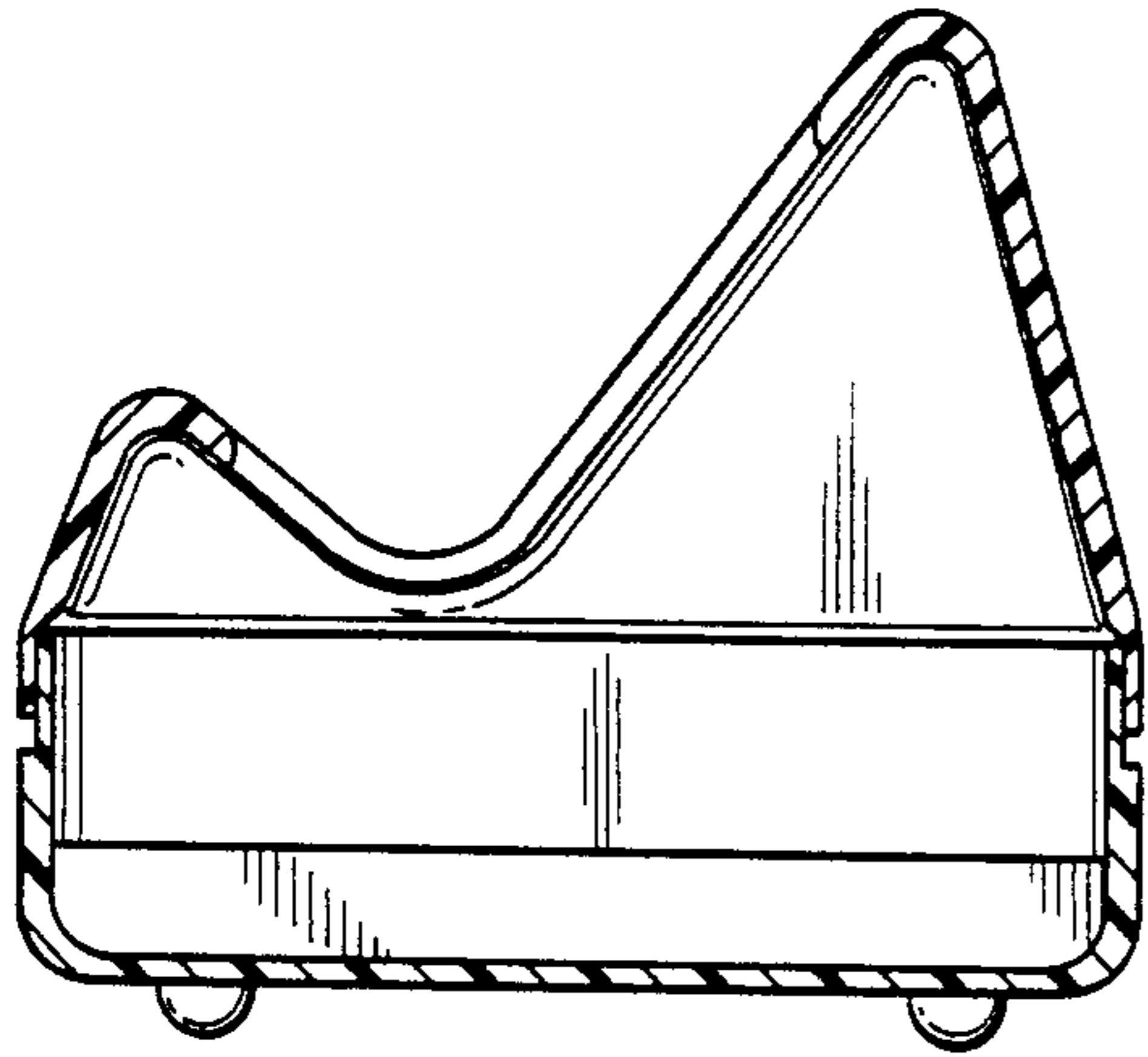


FIG. 4

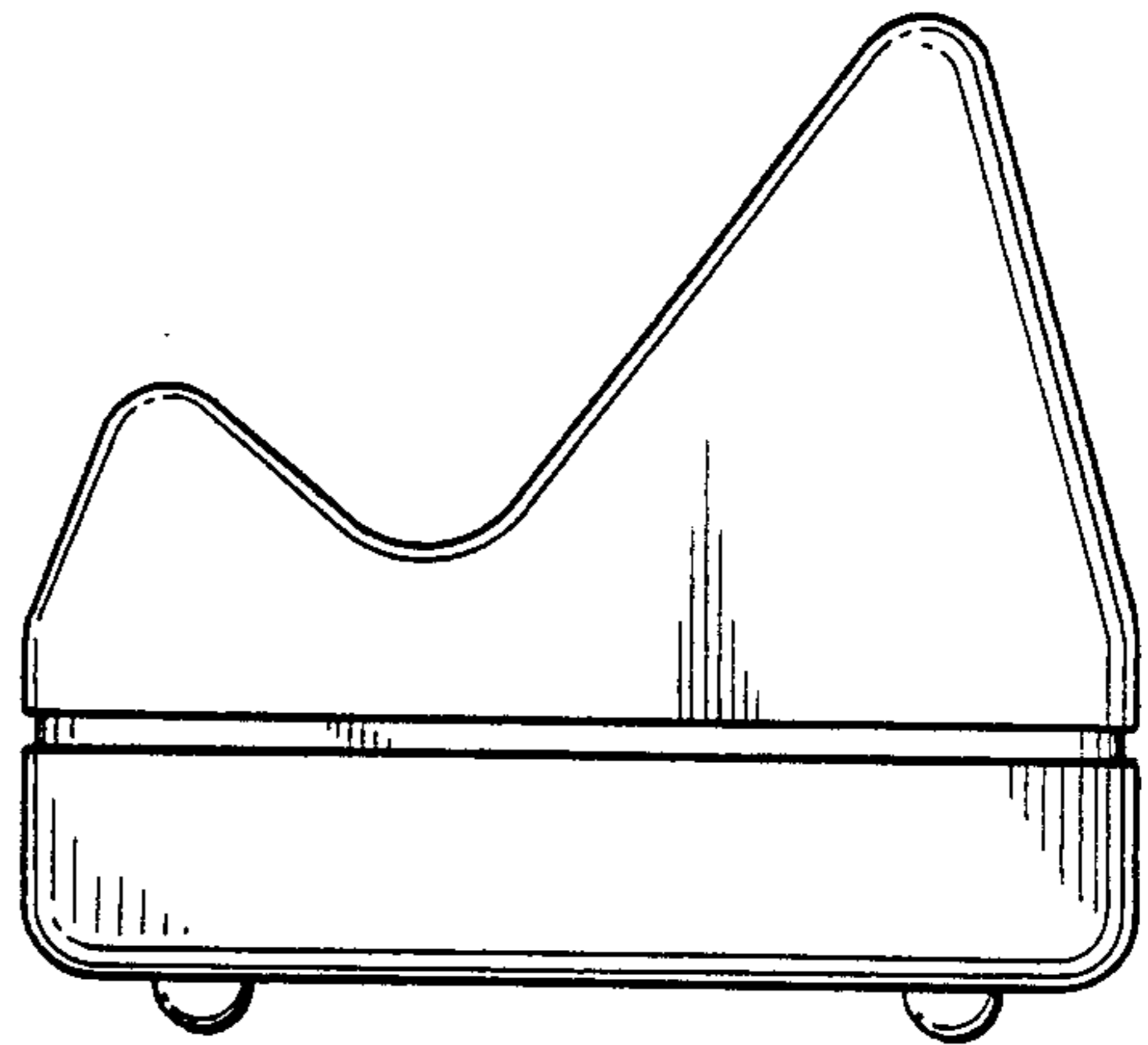


FIG. 7

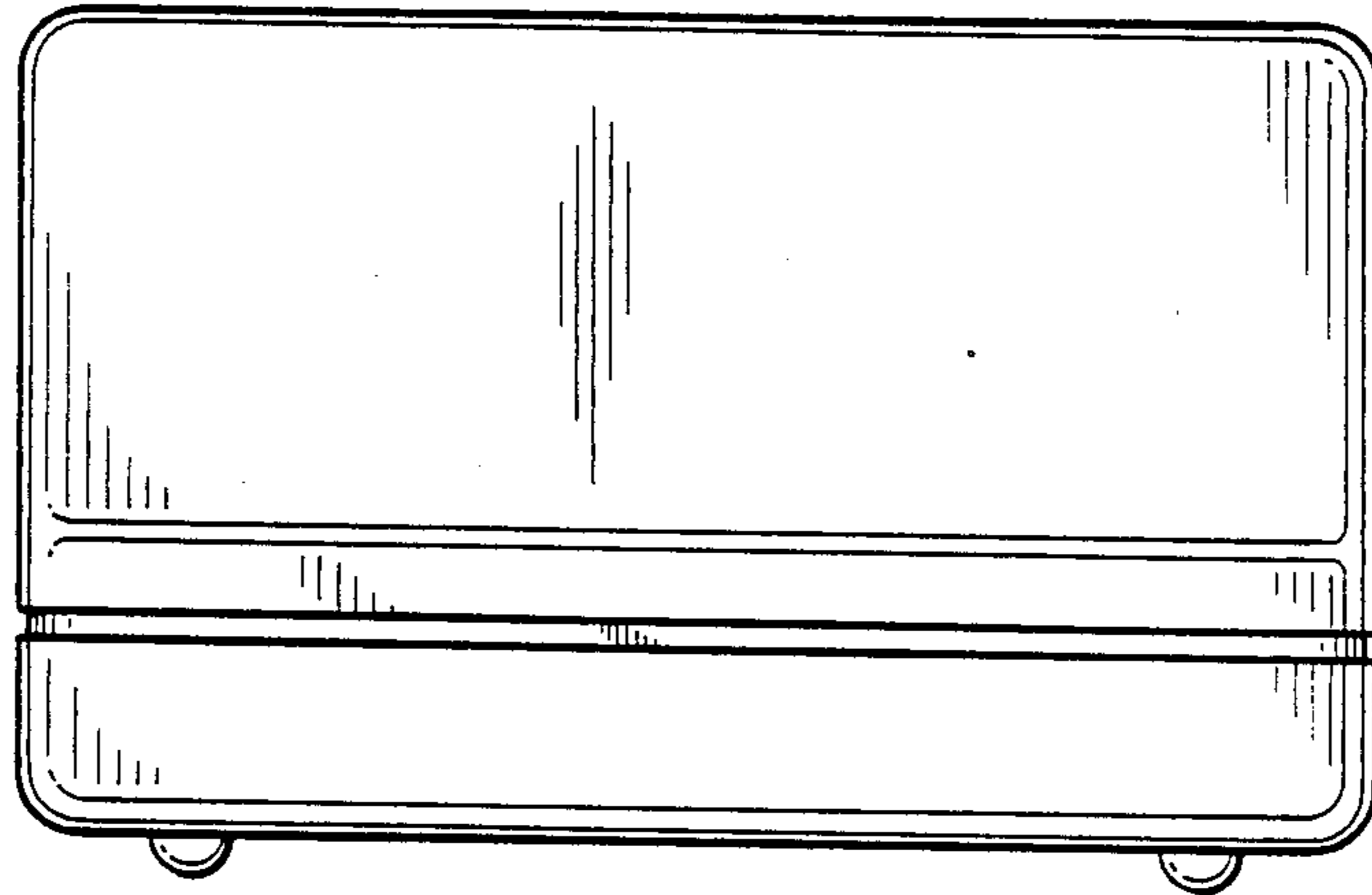


FIG. 5

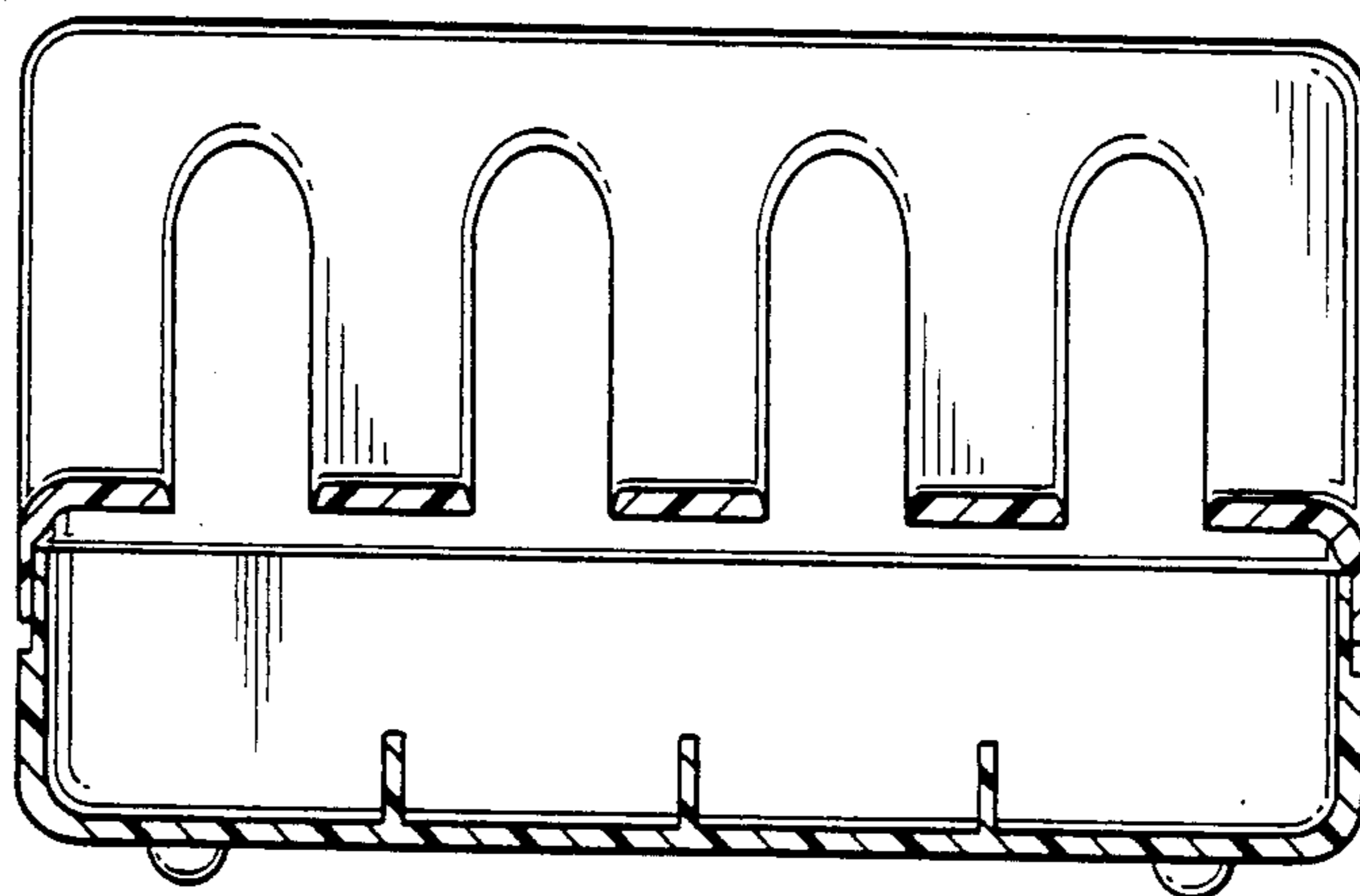


FIG. 6