

[54] COMBINED CABINET AND PAPER ROLL HOLDER

[76] Inventor: Roy D. Murphy, 140 W. Prima Vista Blvd., Port St. Lucie, Fla. 33452

[**] Term: 14 Years

[21] Appl. No.: 722,008

[22] Filed: Apr. 11, 1985

[52] U.S. Cl. D6/519; D6/561; D6/562

[58] Field of Search D6/444, 448, 519, 559, D6/561, 562; 312/223, 224, 225, 238; 242/55.2

[56] References Cited

U.S. PATENT DOCUMENTS

- D. 152,052 12/1948 Zwart D6/519
- D. 184,049 12/1958 Gillard D6/519

- D. 290,433 6/1987 Nusz D6/519
- 577,204 2/1897 Patten 211/88
- 2,703,743 3/1955 Harwood 312/223
- 3,257,154 6/1966 Lewis 312/223

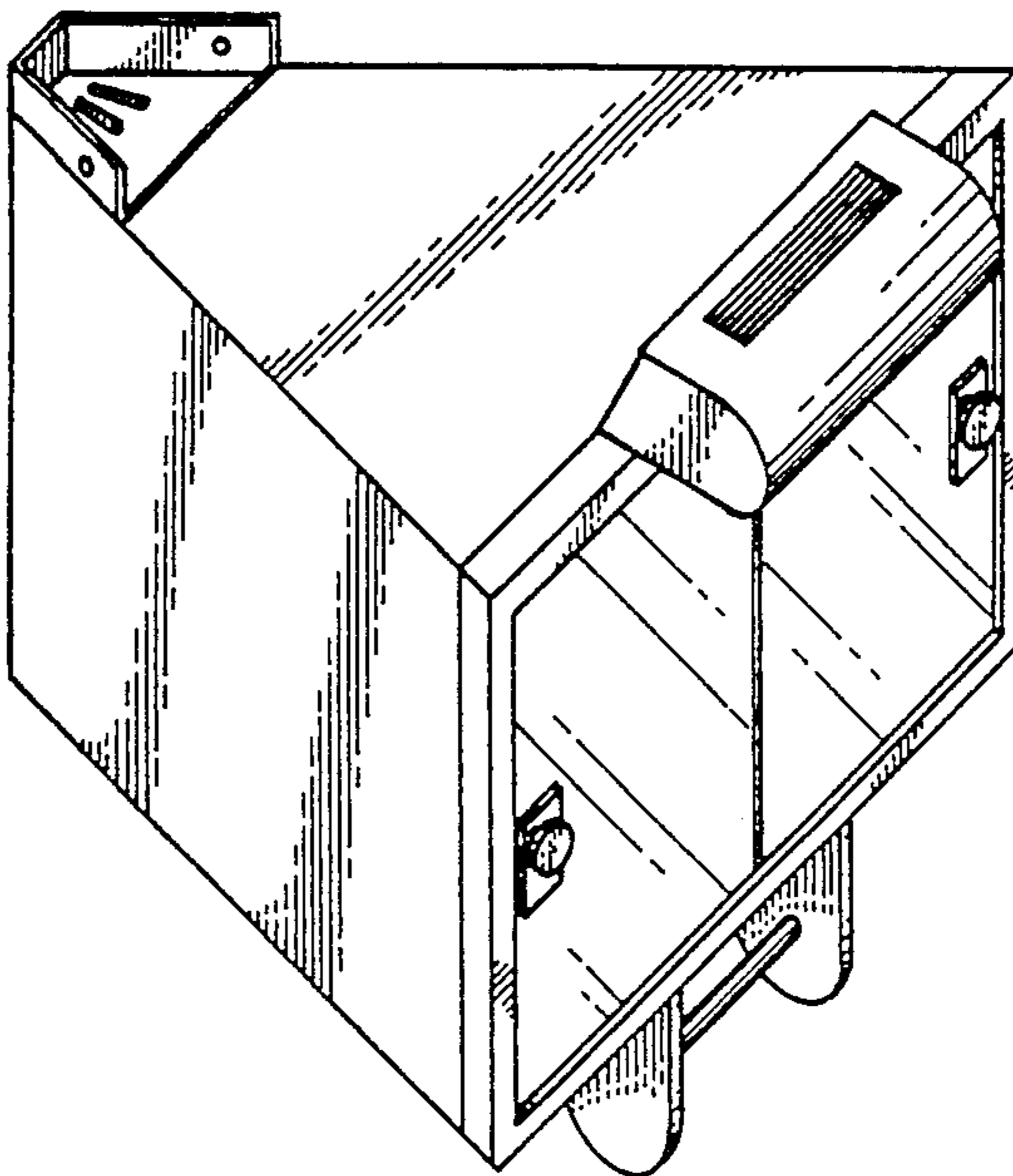
Primary Examiner—B. J. Bullock
Attorney, Agent, or Firm—Gilden & Israel

[57] CLAIM

The ornamental design for a combined cabinet and paper roll holder, as shown and described.

DESCRIPTION

FIG. 1 is a perspective view of a combined cabinet and paper roll holder showing my new design; FIG. 2 is a bottom plan view thereof; FIG. 3 is a left side elevational view thereof, the right side being a mirror image. FIG. 4 is a front elevational view thereof; and FIG. 5 is a rear elevational view thereof.



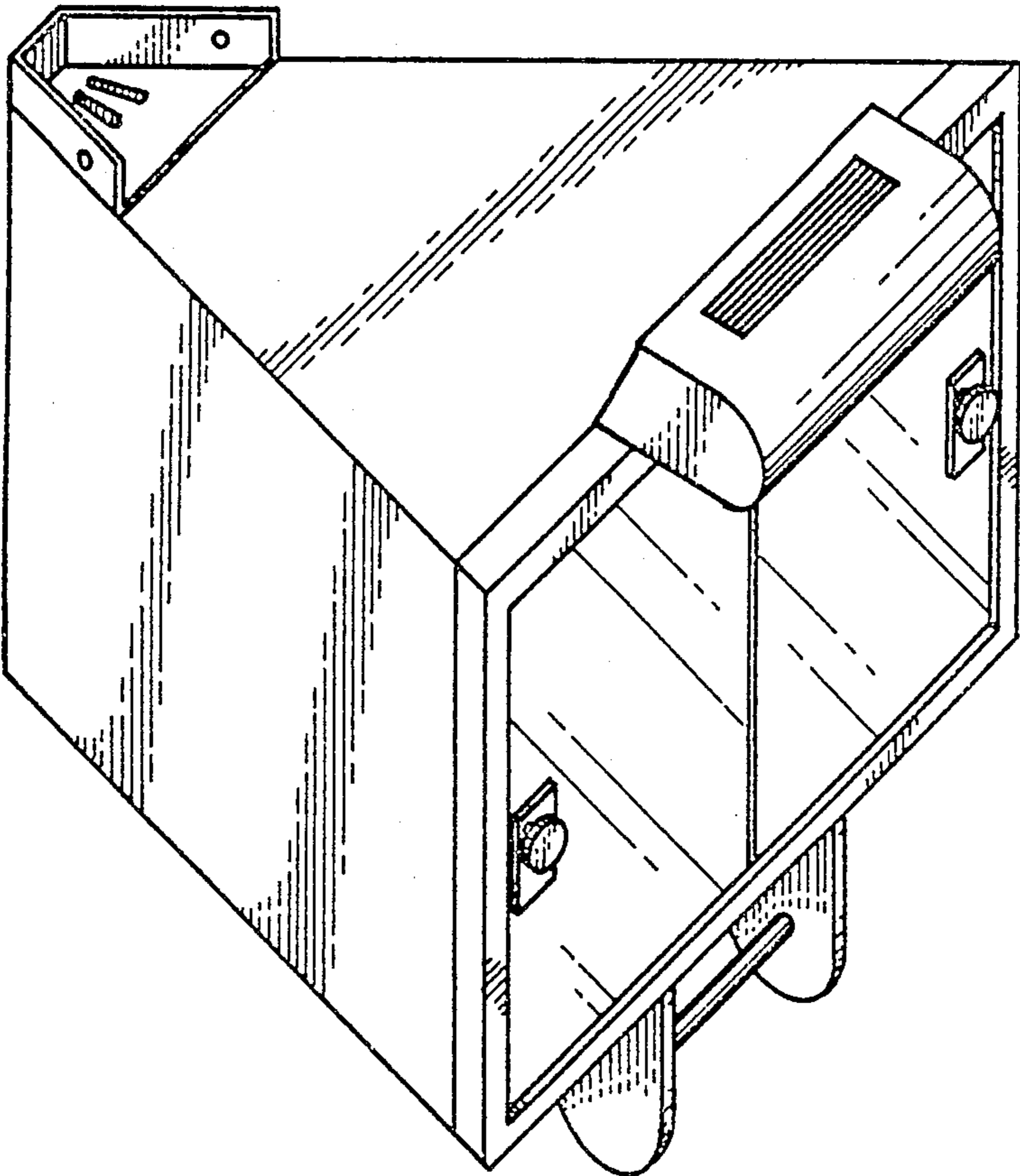


FIG 1

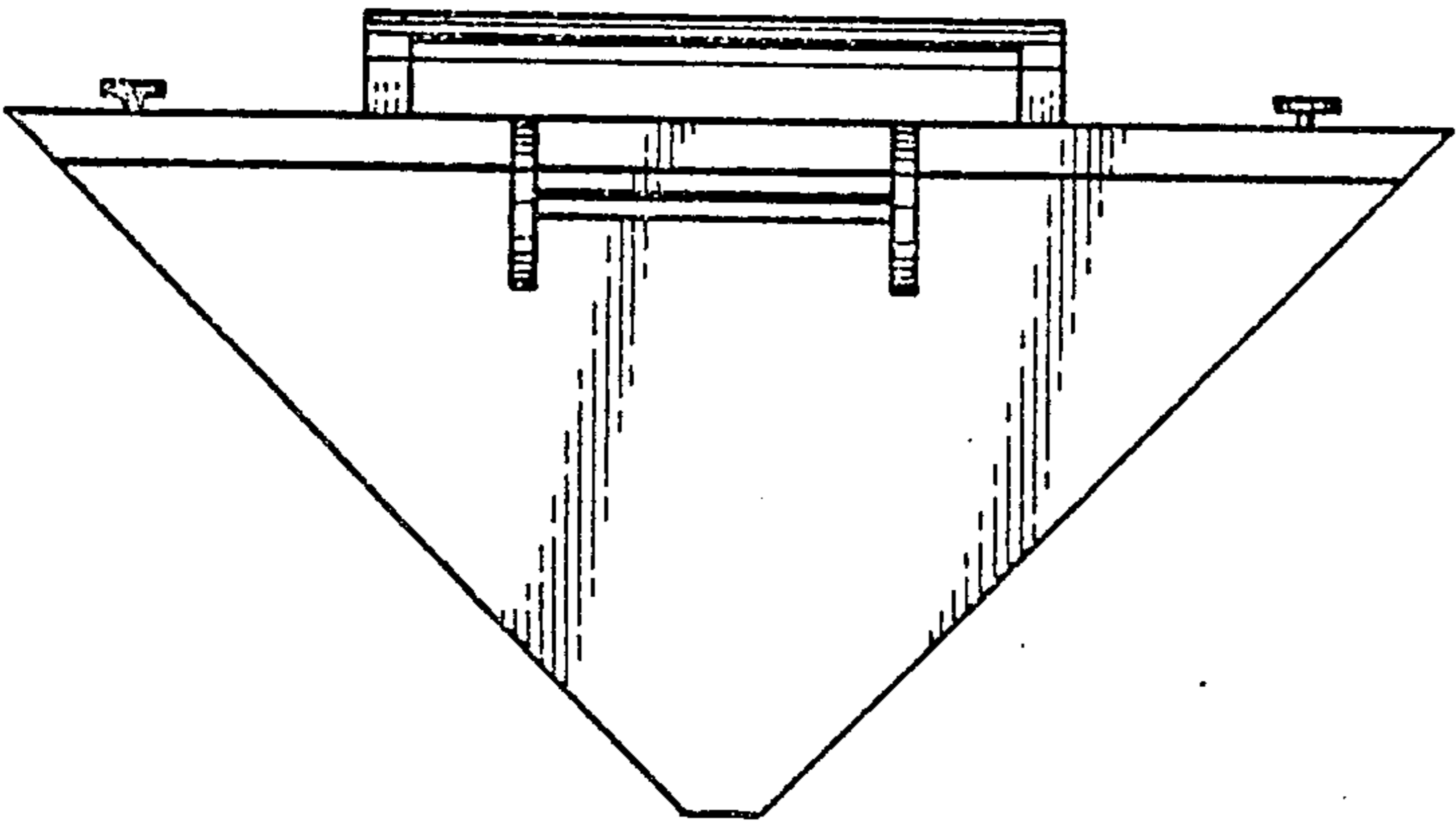


FIG 2

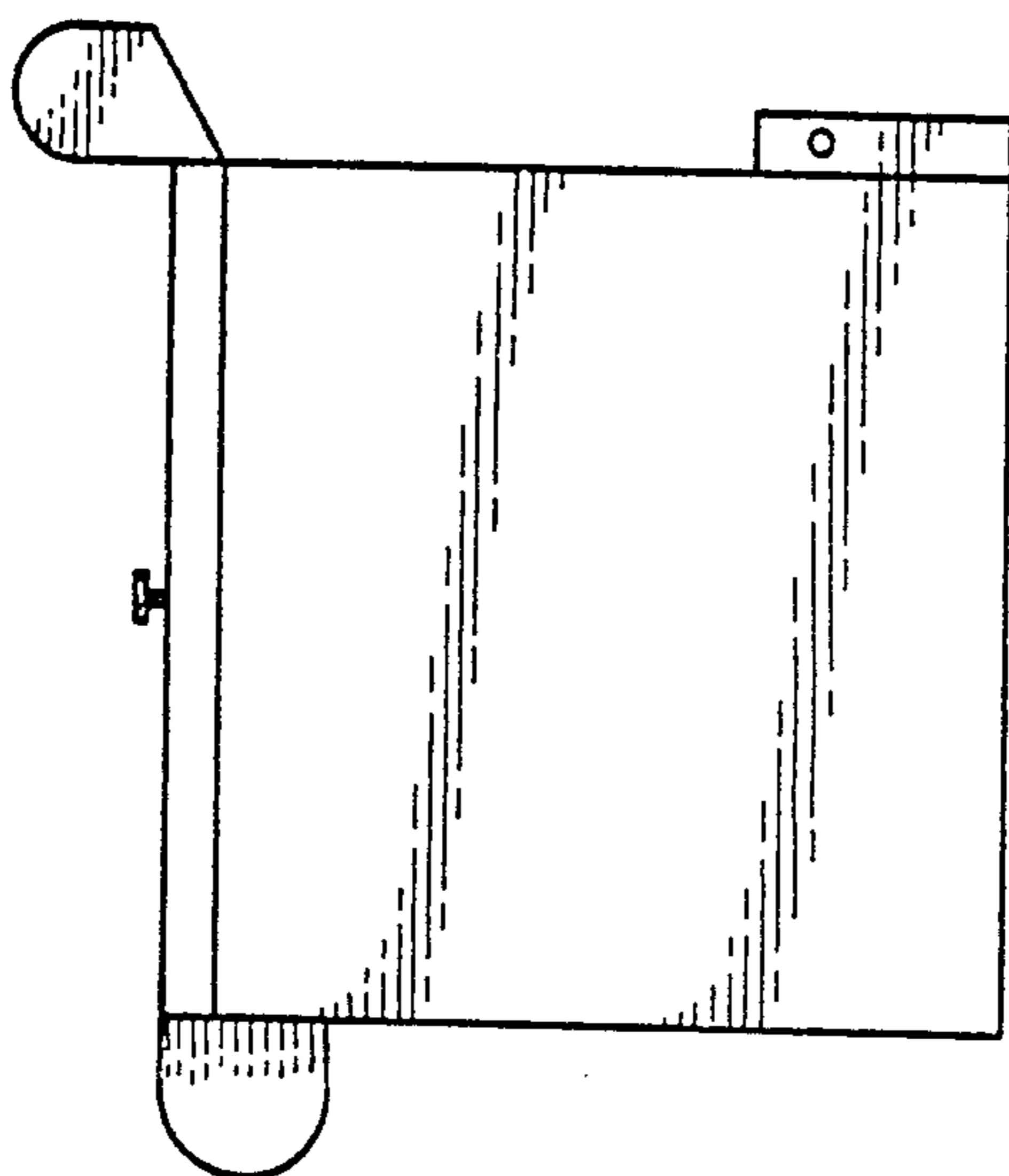


FIG 3

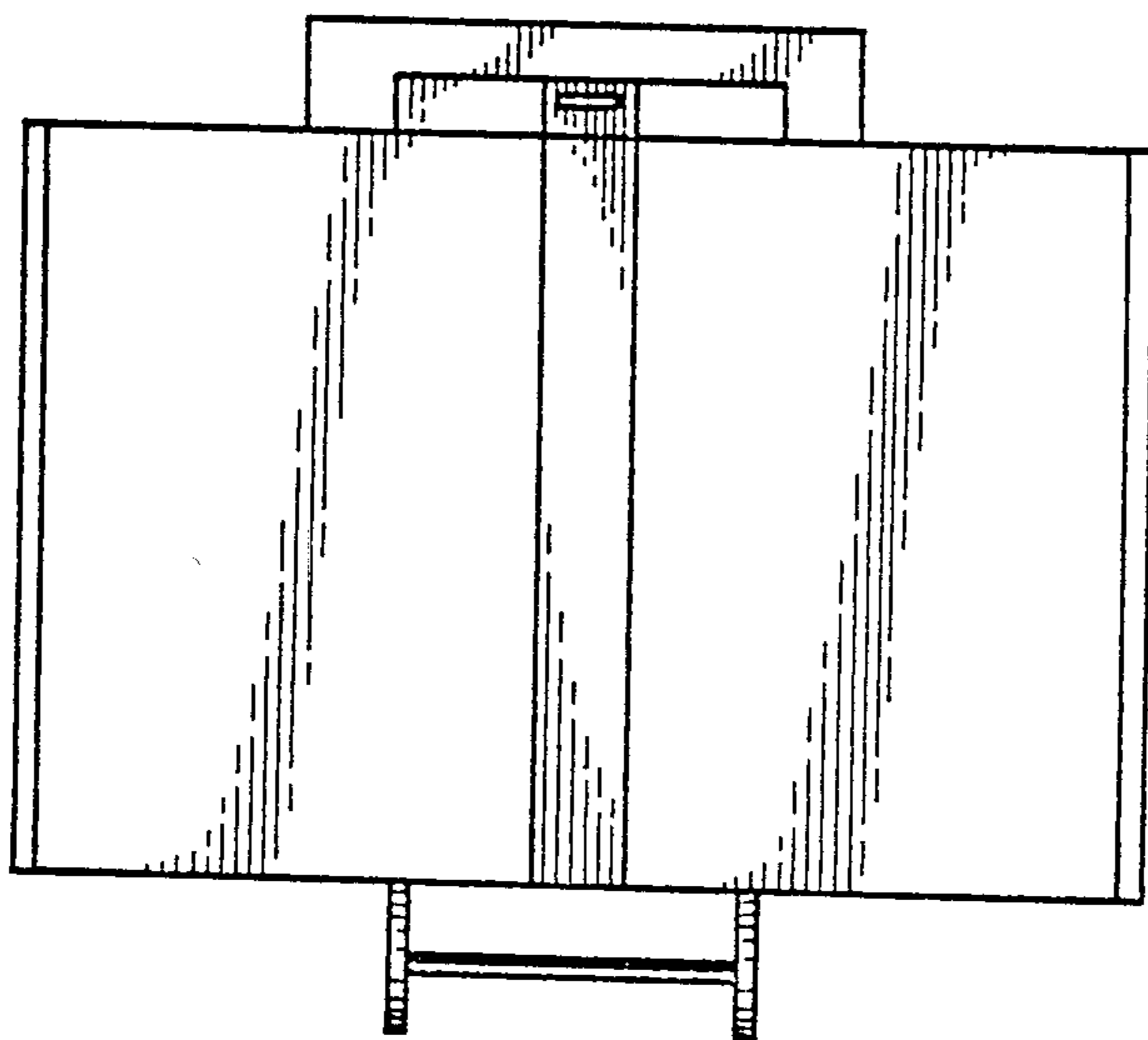


FIG 4