

[54] CARRYING CASE FOR TOY ARTICLES OR THE LIKE

4,318,471 3/1982 Hutton ..... D3/73  
4,513,974 4/1985 Lin ..... D3/73

[75] Inventor: Richard P. Nadeau, Frankfort, N.Y.

[73] Assignee: Zorcom Enterprises, Utica, N.Y.

[\*\*] Term: 14 Years

[21] Appl. No.: 761,084

[22] Filed: Jul. 31, 1985

[52] U.S. Cl. .... D3/73; D3/74

[58] Field of Search ..... D3/30.1, 35, 36, 72-75;  
190/118, 119; 206/569; D19/36; D21/189;  
434/85

[56] References Cited

U.S. PATENT DOCUMENTS

D. 200,881 4/1965 Anderson ..... D3/73  
D. 232,231 7/1974 Langieri ..... D3/73  
D. 279,728 7/1985 Kurihara ..... D3/73

OTHER PUBLICATIONS

Best Products, 1982-83, p. 455, Item No. 14.

Primary Examiner—George P. Word  
Attorney, Agent, or Firm—James & Franklin

[57] CLAIM

The ornamental design for a carrying case for toy articles or the like, substantially as shown and described.

DESCRIPTION

FIG. 1 is a perspective view of a carrying case for toy articles or the like showing my new design; FIG. 2 is a rear perspective view thereof; FIG. 3 is a side elevational view thereof; FIG. 4 is a top plan view thereof; FIG. 5 is a bottom plan view thereof; and, FIG. 6 is a perspective view thereof, in the open position.

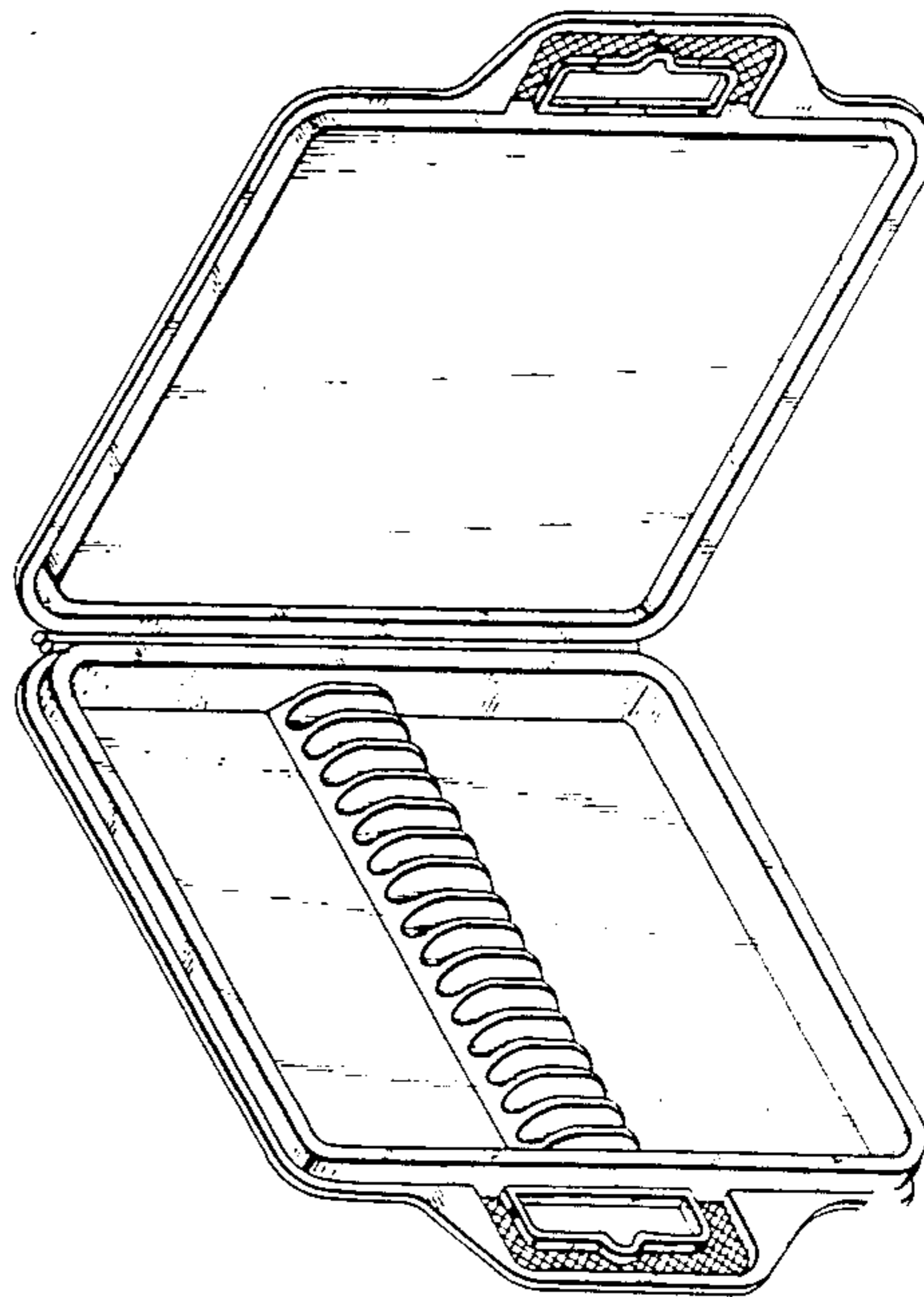
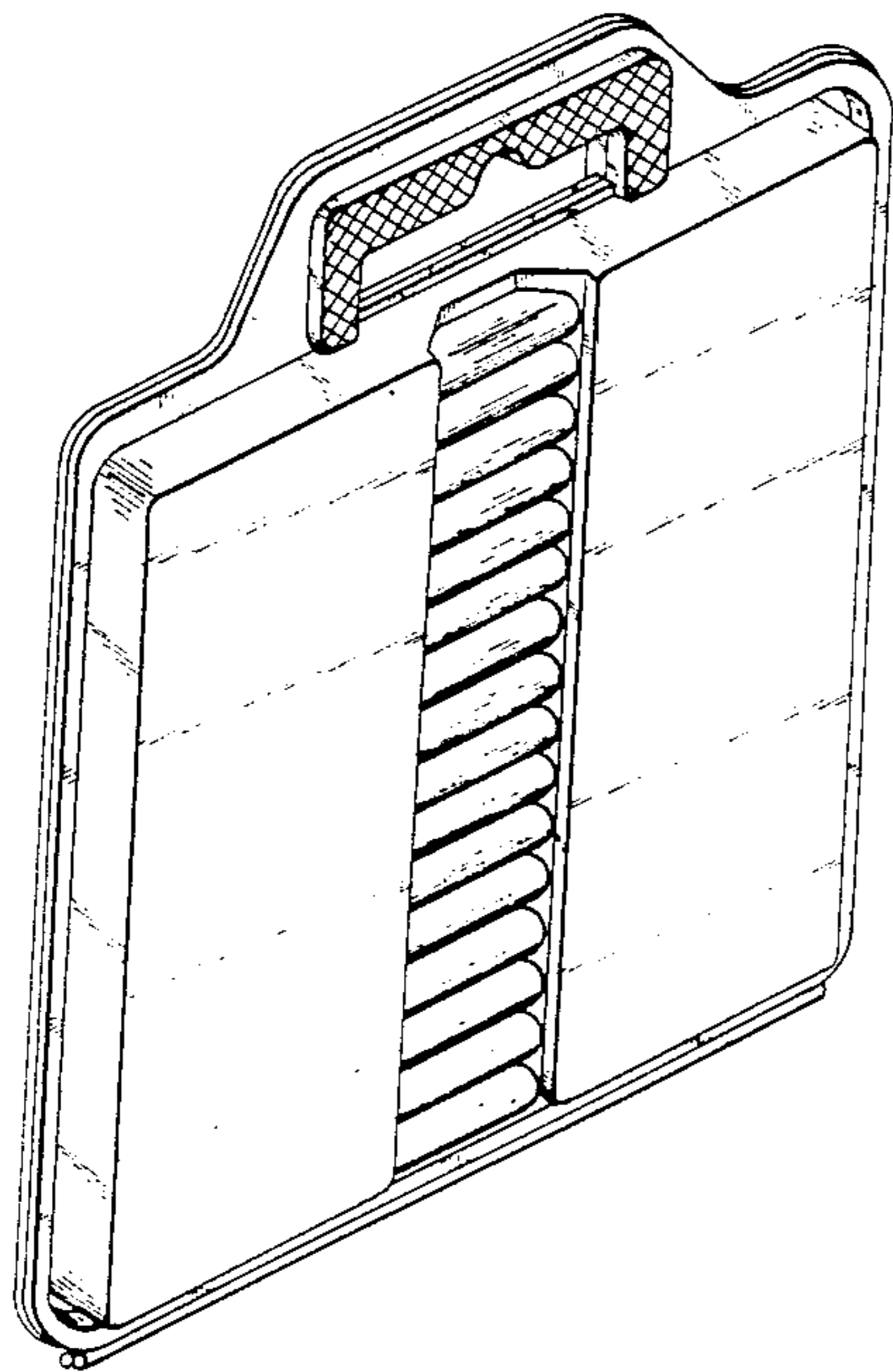


FIG. 1

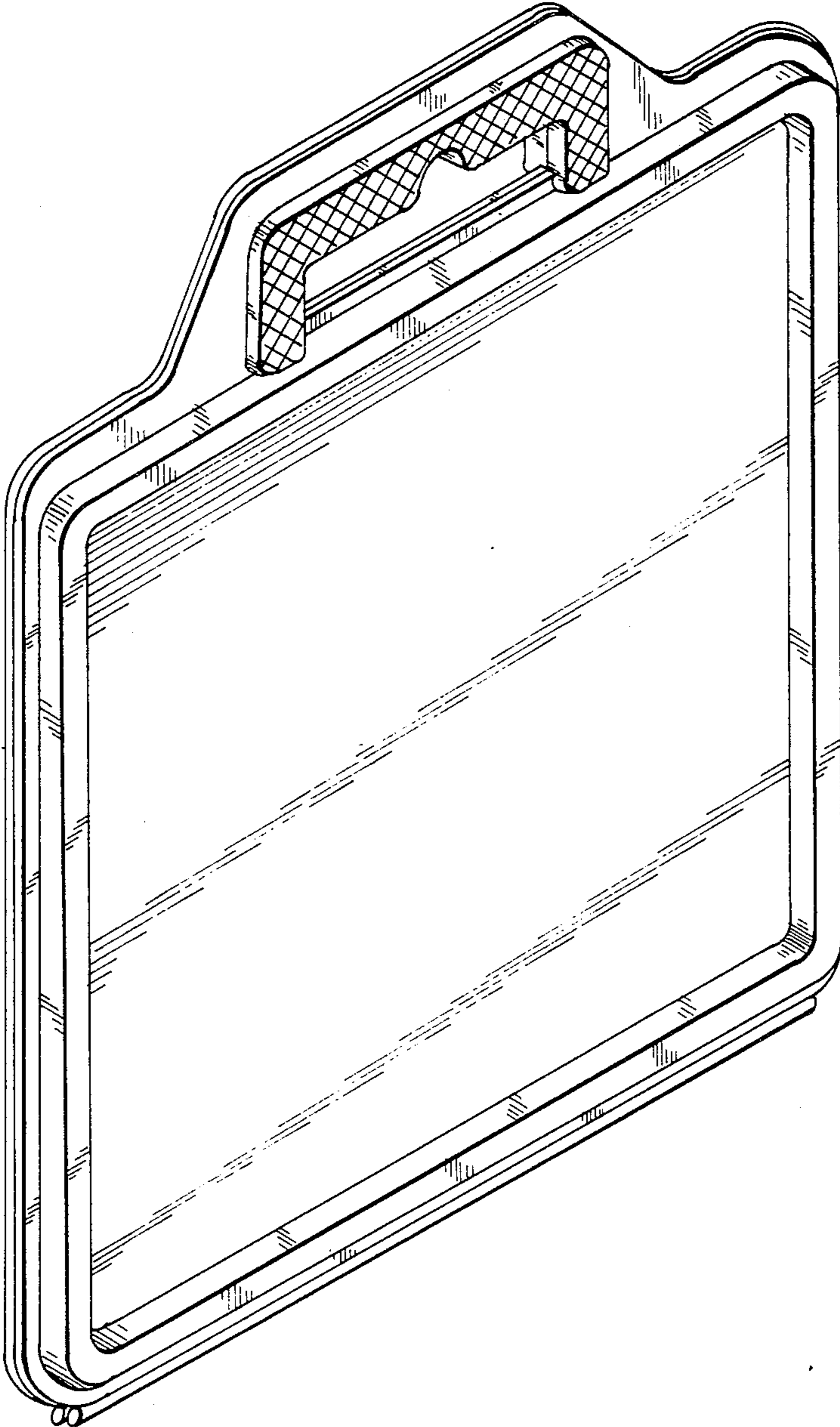


FIG. 2

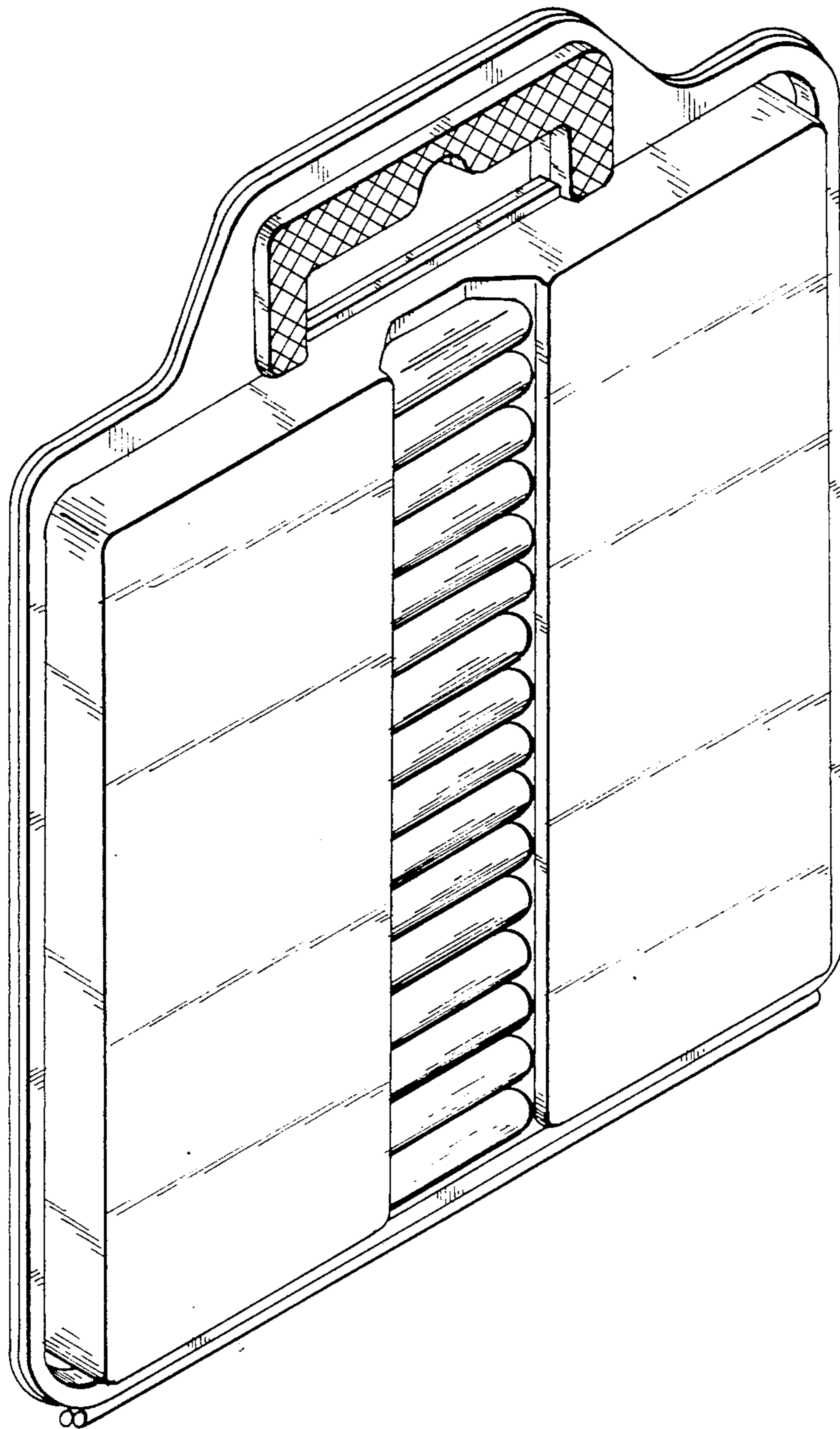


FIG. 3

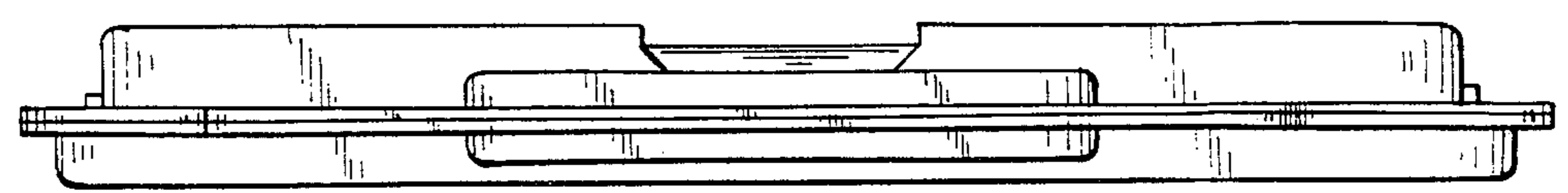
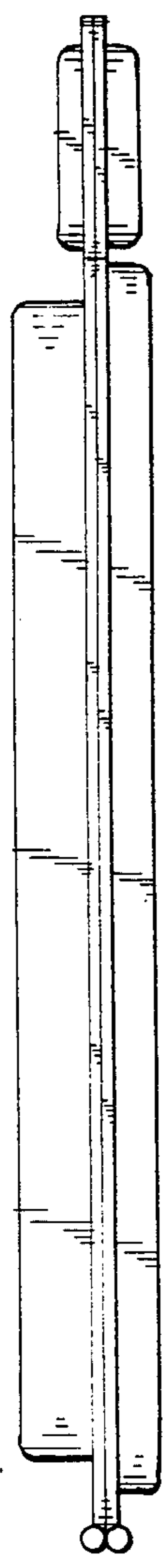


FIG. 4

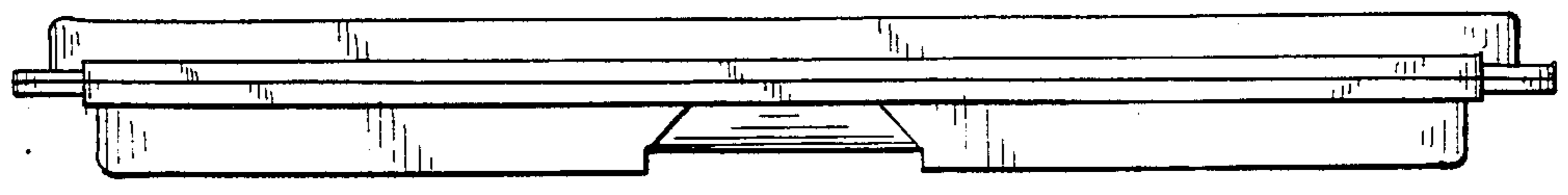


FIG. 5

FIG. 6

