

United States Patent [19]

Nadeau

[11] Patent Number: Des. 293,738

[45] Date of Patent: ** Jan. 19, 1988

[54] CARRYING CASE FOR TOY ARTICLES OR THE LIKE

[75] Inventor: Richard P. Nadeau, Frankfort, N.Y.

[73] Assignee: Zorcom Enterprises, Utica, N.Y.

[**] Term: 14 Years

[21] Appl. No.: 761,029

[22] Filed: Jul. 31, 1985

[52] U.S. Cl. D3/73; D3/74

[58] Field of Search D3/30.1, 36, 72-75,
D3/35; 190/118, 119; 206/569; D19/36;
D21/189; 434/85

[56] **References Cited**

U.S. PATENT DOCUMENTS

D. 200,881 4/1965 Anderson D3/73
D. 232,231 7/1974 Langieri D3/73
D. 279,728 7/1985 Kurihara D3/73

4,318,471 3/1982 Hutton D3/73
4,513,974 4/1985 Lin D3/73

OTHER PUBLICATIONS

Best Products 1982-83, p. 455, Item No. 14.

Primary Examiner—George P. Word
Attorney, Agent, or Firm—James & Franklin

[57] **CLAIM**

The ornamental design for a carrying case for toy articles or the like, substantially as shown and described.

DESCRIPTION

FIG. 1 is a perspective view of a carrying case for toy articles or the like showing my new design; FIG. 2 is a rear perspective view thereof; FIG. 3 is a side elevational view thereof; FIG. 4 is a top plan view thereof; FIG. 5 is a bottom plan view thereof; and, FIG. 6 is a perspective view thereof, in the open position.

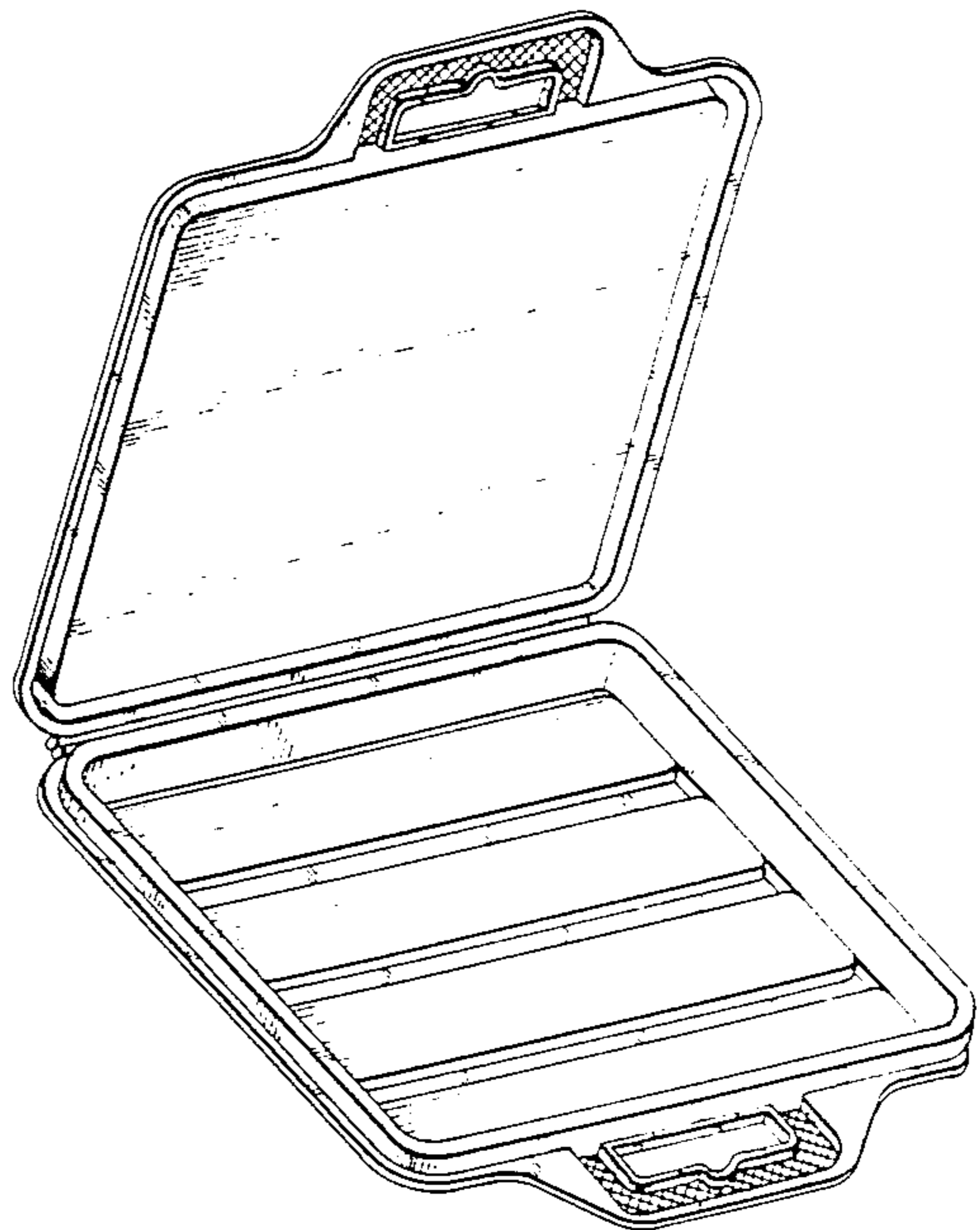
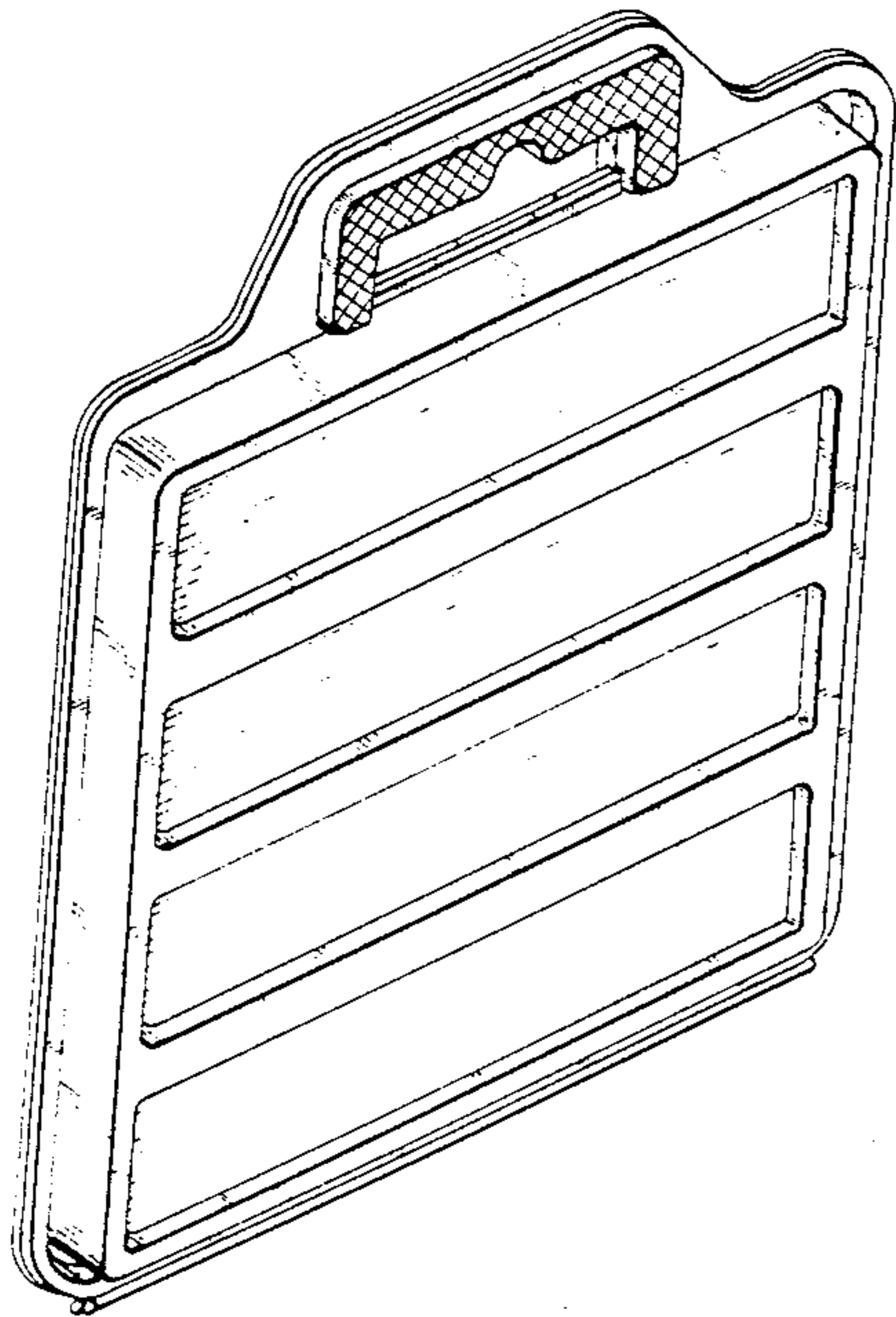


FIG. 1

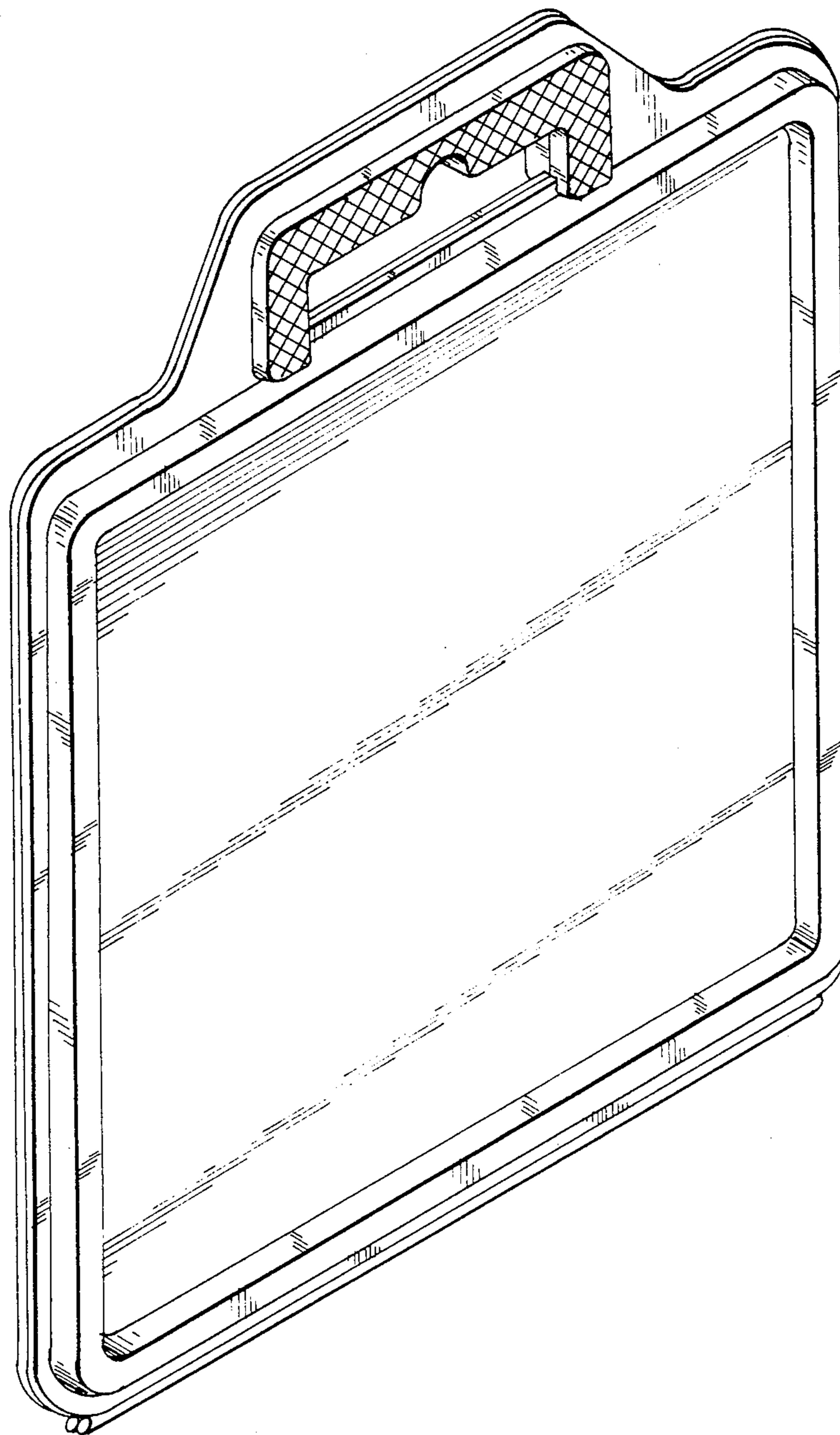


FIG. 2

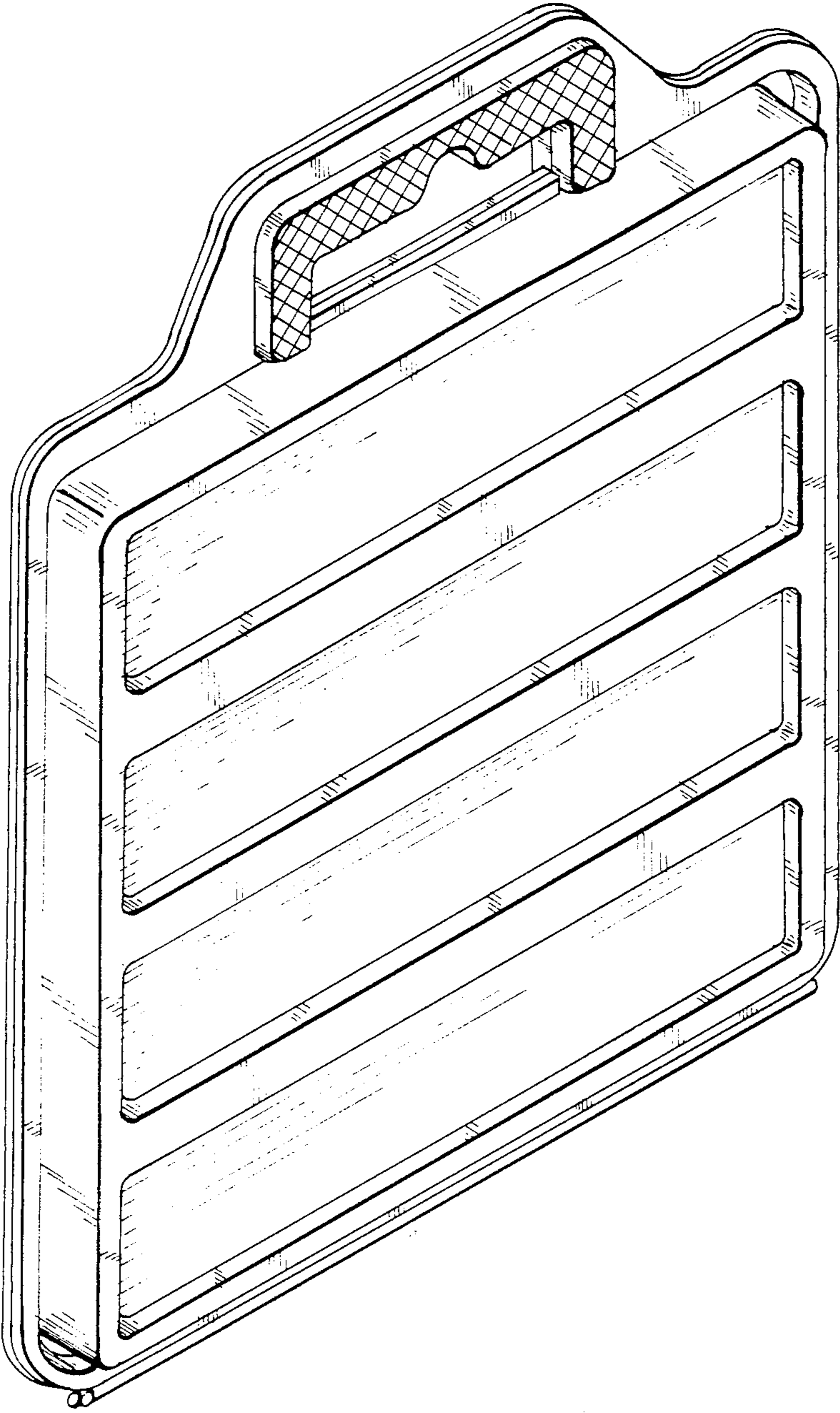


FIG. 3

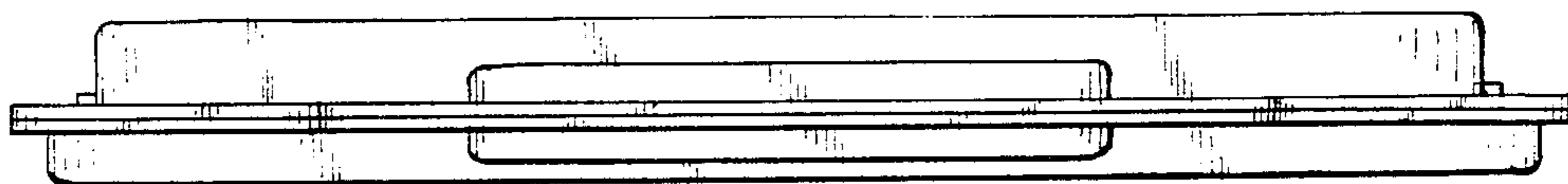
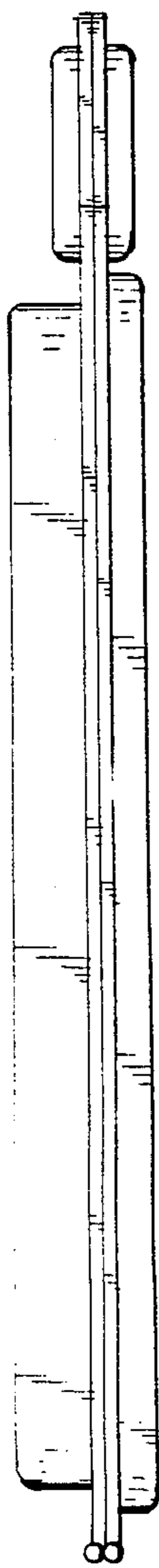


FIG. 4

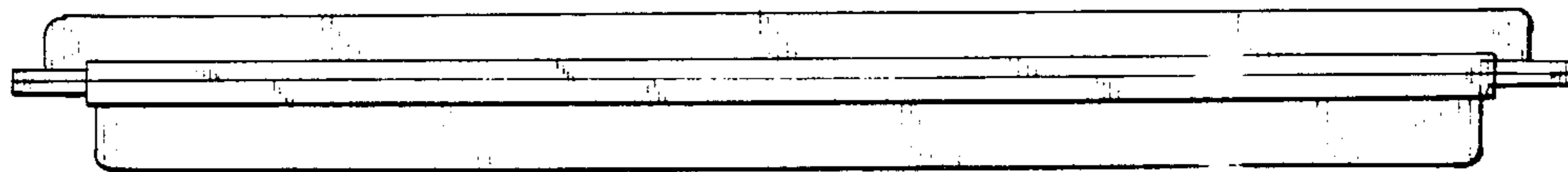


FIG. 5

FIG. 6

