

[54] SONAR CARRYING CASE FOR FISH FINDERS

[76] Inventor: James D. Ault, 1526 20th Ave., Beaver Falls, Pa. 15810

[**] Term: 14 Years

[21] Appl. No.: 700,108

[22] Filed: Feb. 11, 1985

[52] U.S. Cl. D3/38; D3/78

[58] Field of Search D3/30.1, 36-40, D3/51, 70, 72, 74, 76, 78; 206/3; 312/DIG. 33; D10/46; D7/76, 77; D22/199

[56] **References Cited**

U.S. PATENT DOCUMENTS

D. 134,918 1/1943 Johnson D3/78

D. 220,556	4/1971	Evans	D3/38
D. 232,129	7/1974	Evans	D3/38
D. 237,121	10/1975	Metzner	D3/38
D. 262,928	2/1982	Medders	D3/74
3,050,356	8/1962	Messmer	D3/38

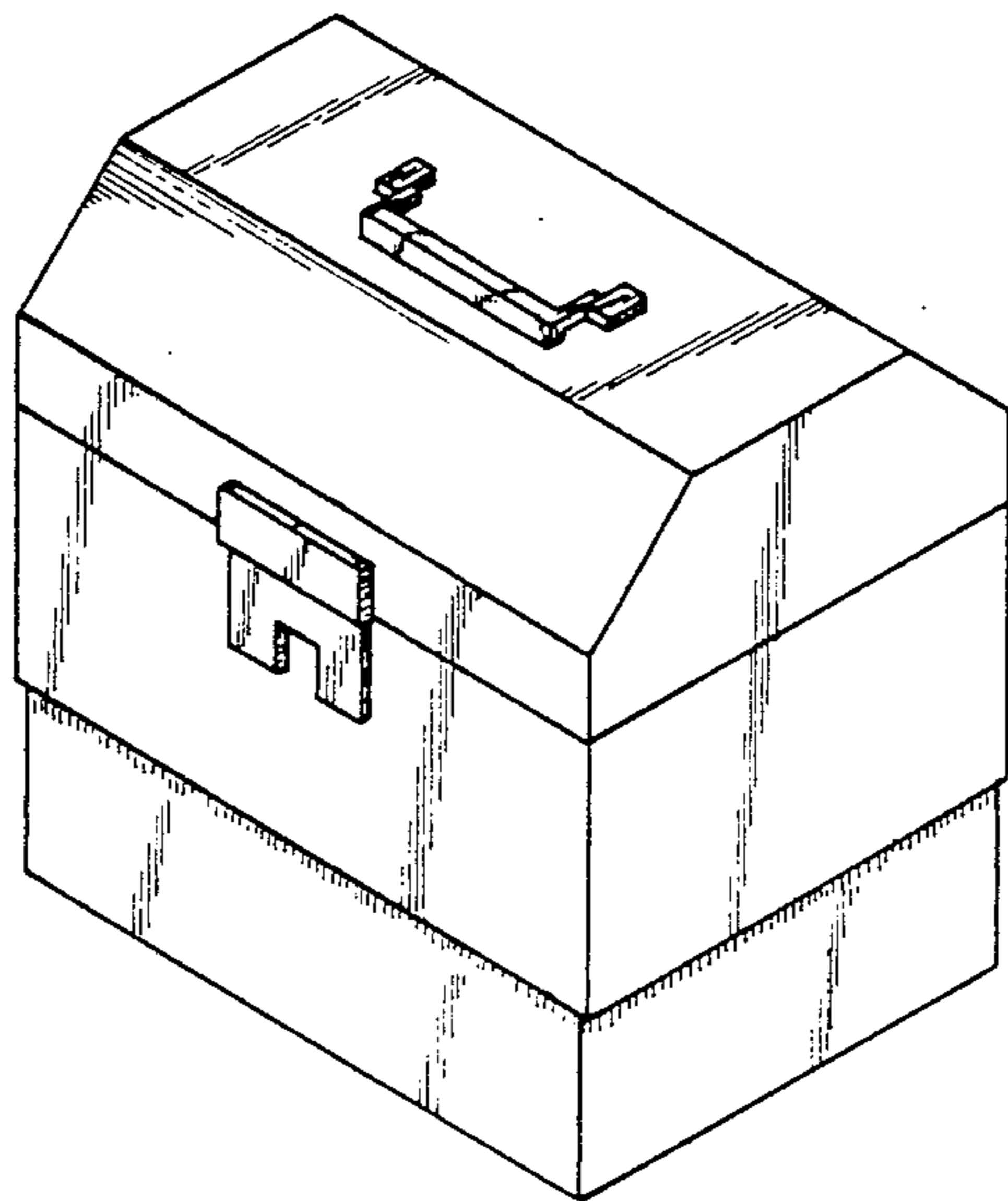
Primary Examiner—George P. Word
Attorney, Agent, or Firm—Gilden & Israel

[57] **CLAIM**

The ornamental design for a sonar carrying case for fish finders, as shown and described.

DESCRIPTION

FIG. 1 is a perspective view of a sonar carrying case for fish finders, showing my new design; FIG. 2 is an end elevational view thereof; FIG. 3 is a rear elevational view thereof; and, FIG. 4 is a bottom plan view thereof.



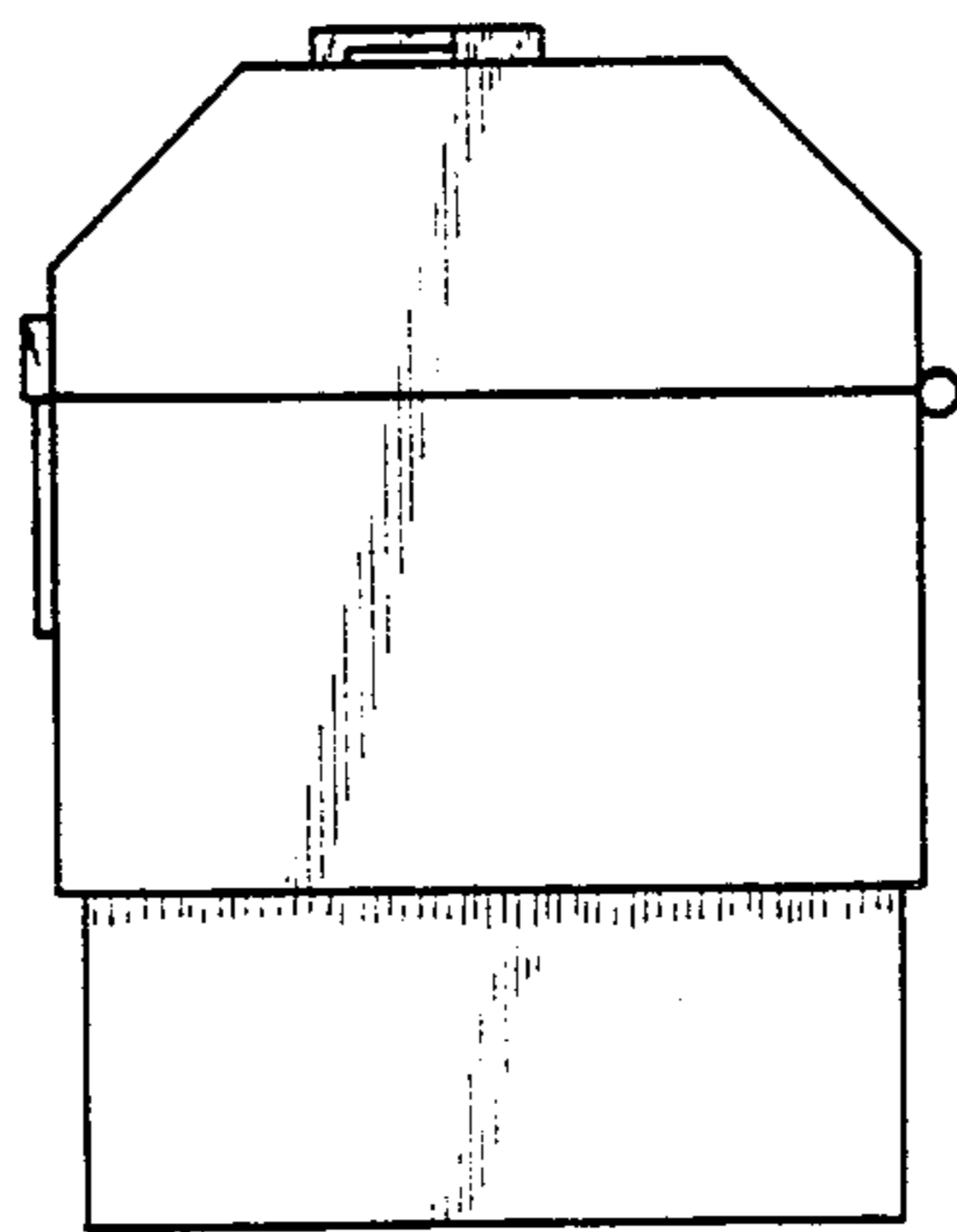
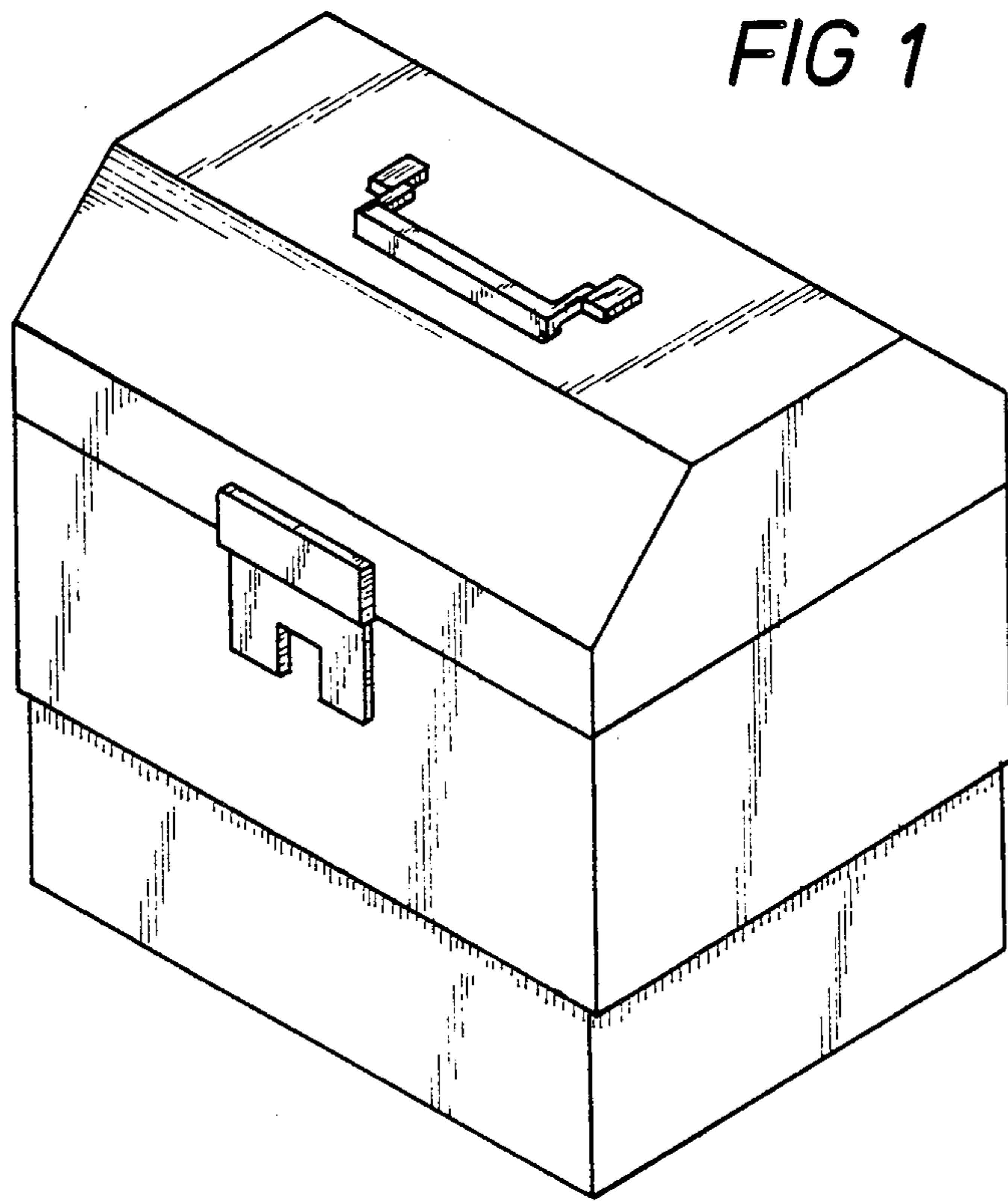


FIG 2

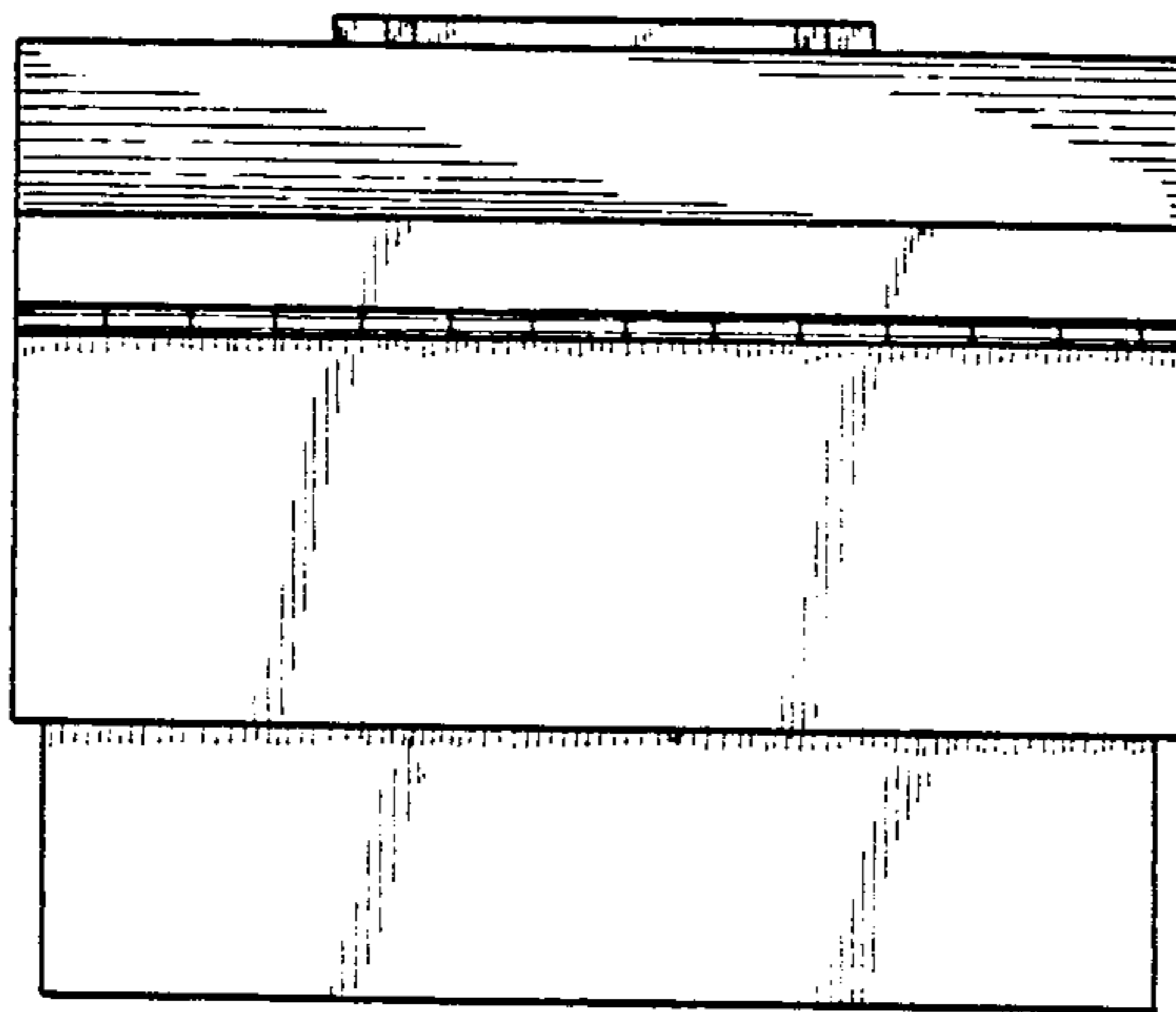


FIG 3

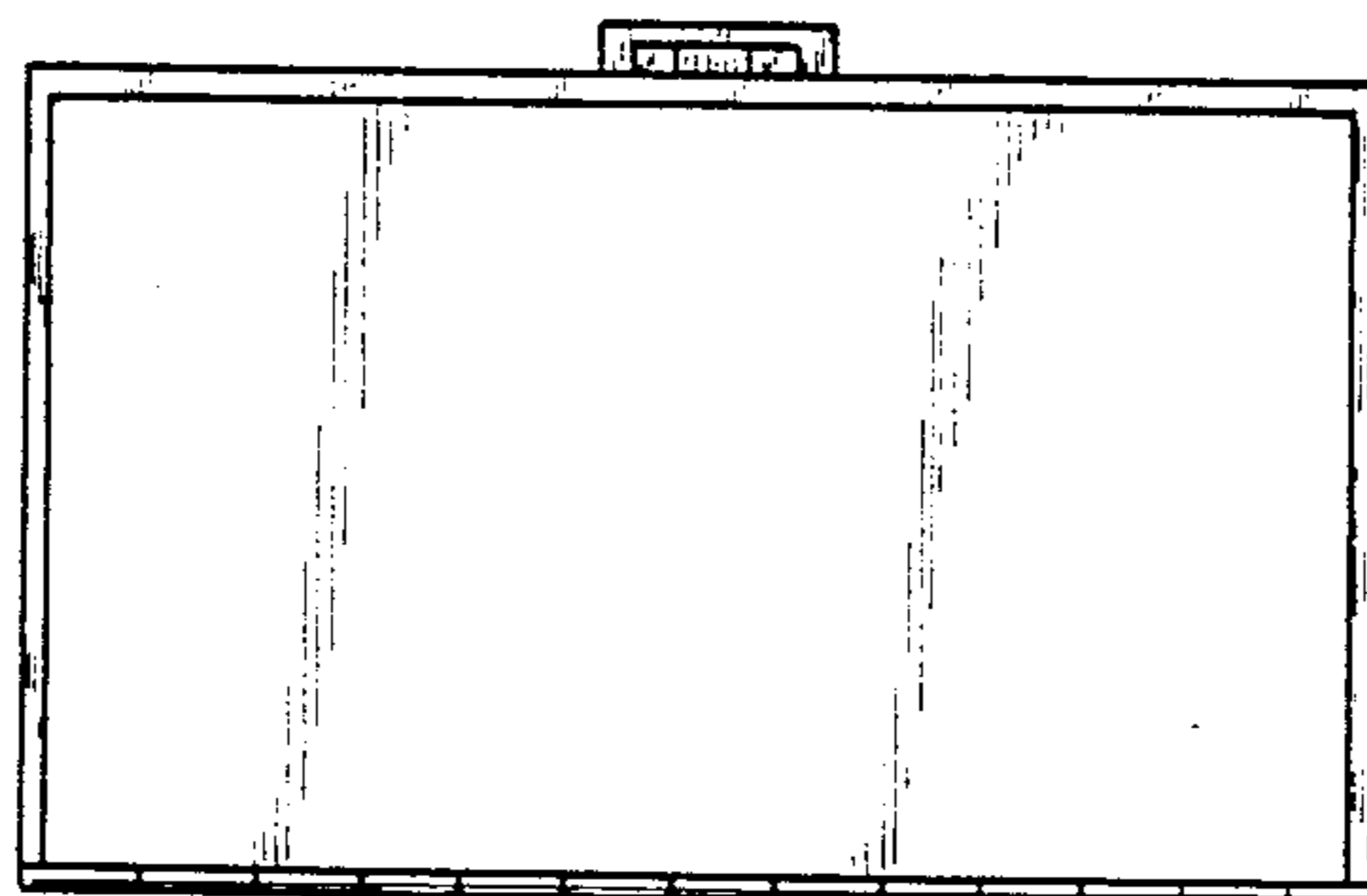


FIG 4