

[54] SURGICAL INSTRUMENT COVER
[75] Inventor: F. Barry Bays, Seminole, Fla.
[73] Assignee: Concept, Inc., Clearwater, Fla.
[**] Term: 14 Years
[21] Appl. No.: 654,729
[22] Filed: Sep. 27, 1984
[52] U.S. Cl. D3/30.1; D24/29
[58] Field of Search D3/30.1; D24/8, 16,
D24/23, 26-30; D23/45, 7; 206/363, 407, 439,
438

[56] **References Cited**

U.S. PATENT DOCUMENTS

D. 216,286	12/1969	Valeska	D24/30
D. 219,252	11/1970	Bogoff	D24/29
D. 244,033	4/1977	Elson	D23/45
D. 274,257	6/1984	Jenkins et al.	D24/8
3,738,173	6/1973	Sato	206/438
3,897,786	8/1975	Garnett et al.	206/439
3,945,117	3/1976	Beaver	D24/30
4,446,967	5/1984	Halkyard	206/363

Primary Examiner—George P. Word
Attorney, Agent, or Firm—Frijouf, Rust & Pyle

[57] **CLAIM**

The ornamental design for a surgical instrument cover, as shown and described.

DESCRIPTION

FIG. 1 is a left side elevational view of a surgical instrument cover showing my new design;
FIG. 2 is a right side elevational view thereof;
FIG. 3 is a top plan view thereof;
FIG. 4 is a front elevational view thereof;
FIG. 5 is a rear elevational view thereof;
FIG. 6 is a bottom plan view thereof;
FIG. 7 is a left side elevational view of a second embodiment of the surgical instrument cover;
FIG. 8 is a right side elevational view thereof;
FIG. 9 is a top plan view thereof;
FIG. 10 is a front elevational view thereof;
FIG. 11 is a rear elevational view thereof;
FIG. 12 is a bottom plan view thereof; and,
FIG. 13 is a perspective view thereof, the environmental structure shown in dotted lines being for illustrative purposes only.

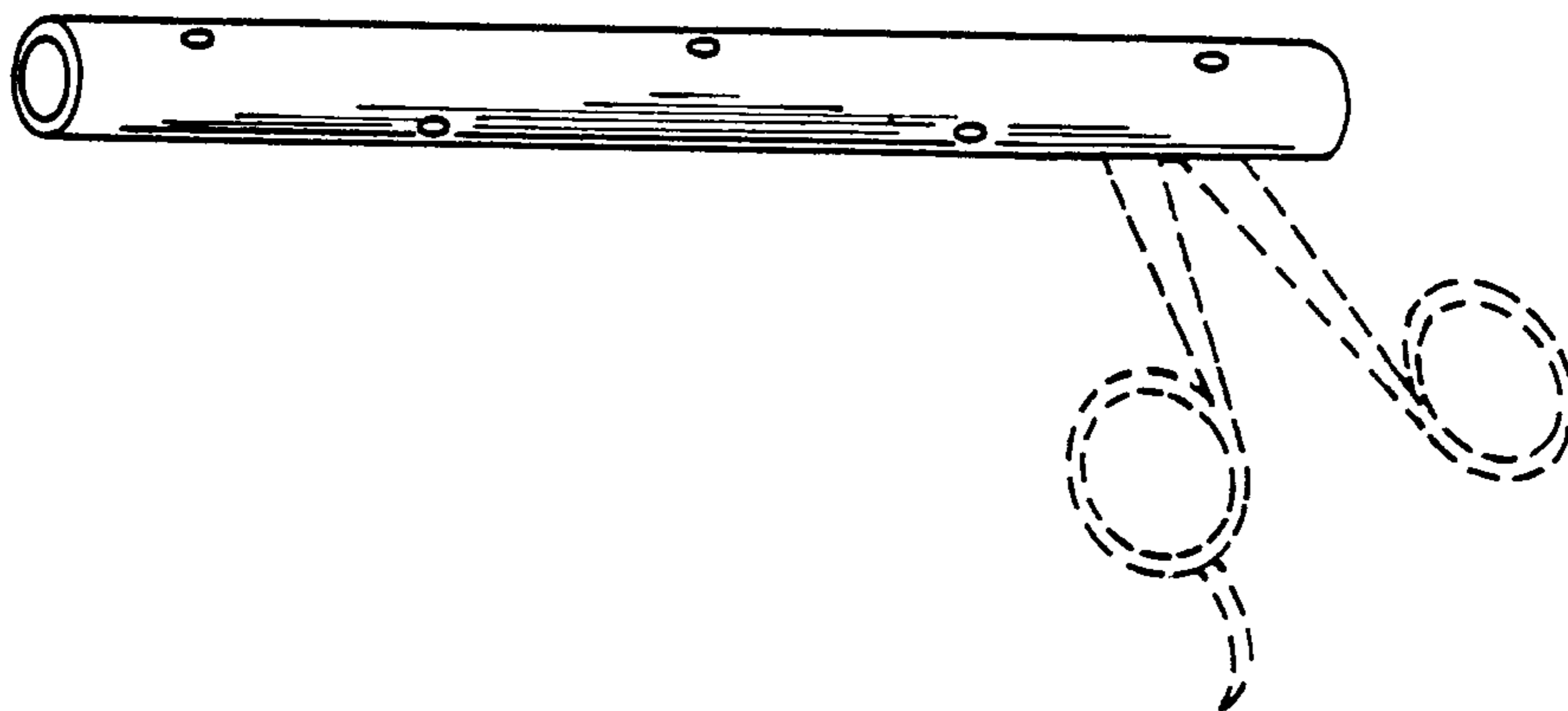




FIG. 1



FIG. 2



FIG. 3

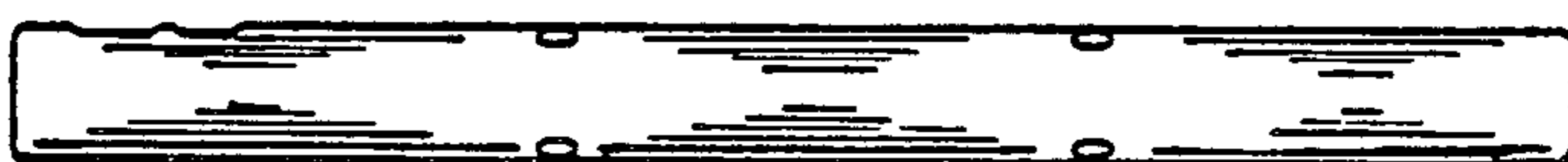


FIG. 4

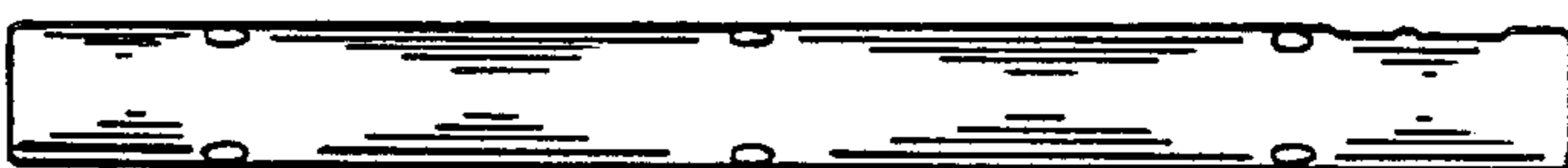


FIG. 5



FIG. 6



FIG. 7



FIG. 8



FIG. 9

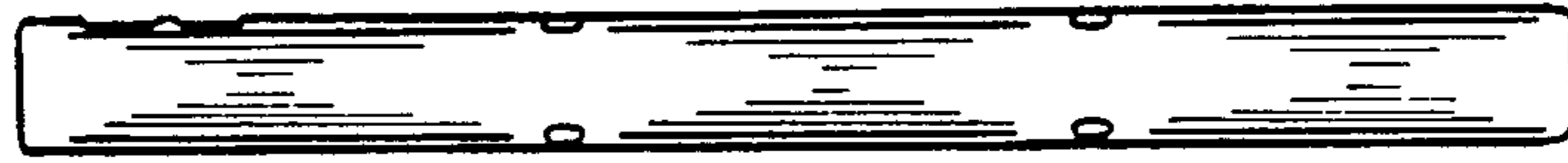


FIG. 10



FIG. 11

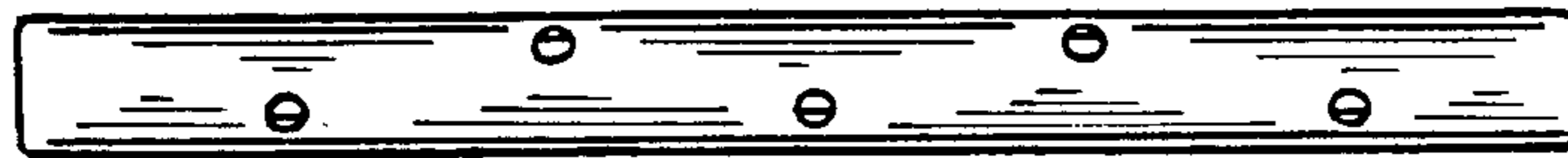


FIG. 12

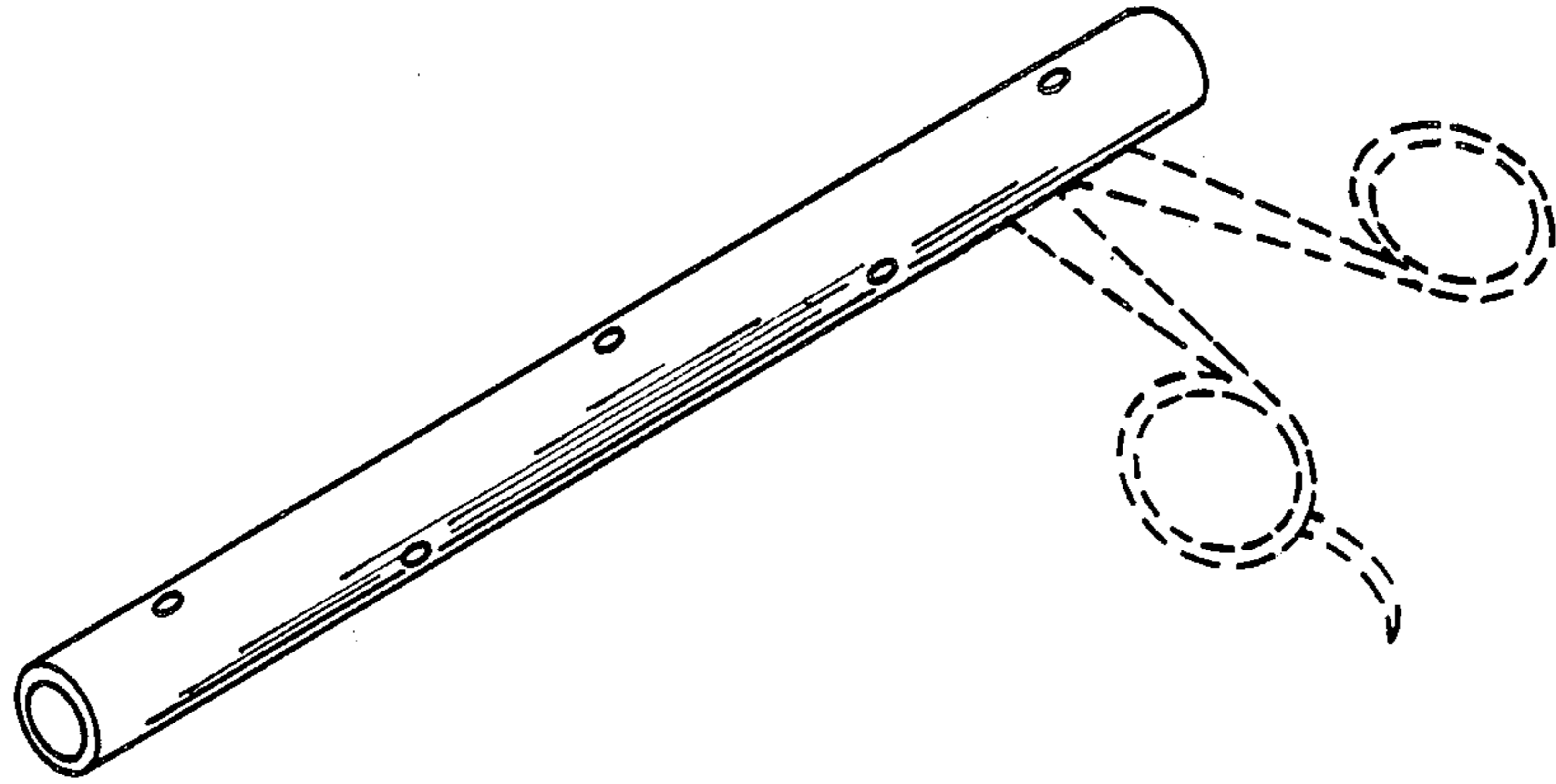


FIG. 13