

- [54] COMBINED HAND-HELD VACUUM CLEANER AND FLASHLIGHT
- [76] Inventor: Chow Shau-Din, 21 A-F Provident Centre, 41 Wharf Rd., Hong Kong, Hong Kong
- [\*\*] Term: 14 Years
- [21] Appl. No.: 781,491
- [22] Filed: Sep. 30, 1985
- [52] U.S. Cl. .... D32/18
- [58] Field of Search ..... D32/17-18; 15/344, 328-329

- [56] **References Cited**
- U.S. PATENT DOCUMENTS
- D. 280,142 8/1985 Pudwill ..... D32/18
  - 4,380,845 4/1983 Miller et al. .... 15/344
  - 4,573,234 3/1986 Kochte et al. .... 15/323

FOREIGN PATENT DOCUMENTS

- 3228491 9/1984 Fed. Rep. of Germany ..... 15/344
- 3309162 9/1984 Fed. Rep. of Germany ..... 15/344

*Primary Examiner*—Wallace R. Burke  
*Assistant Examiner*—Ruth Takemoto  
*Attorney, Agent, or Firm*—Shoemaker and Mattare, Ltd.

[57] CLAIM

The ornamental design for a combined hand-held vacuum cleaner and flashlight, as shown.

DESCRIPTION

FIG. 1 is a top, front and right side perspective view of a combined hand-held vacuum cleaner and flashlight showing my new design;  
 FIG. 2 is a bottom, rear and left side perspective view thereof;  
 FIG. 3 is a top plan view thereof;  
 FIG. 4 is a bottom plan view thereof; and  
 FIG. 5 is a front elevational view thereof.

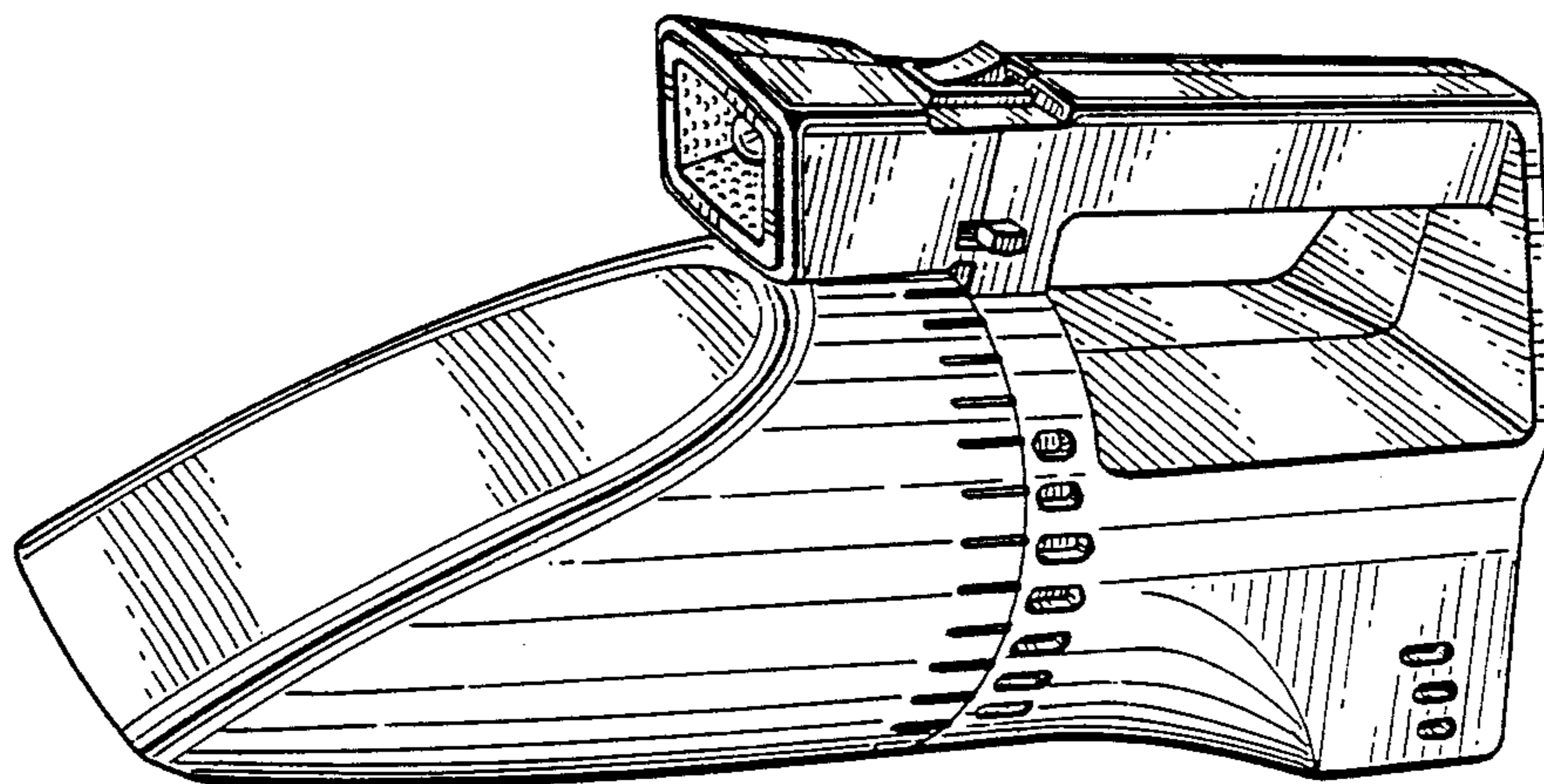


FIG. 1

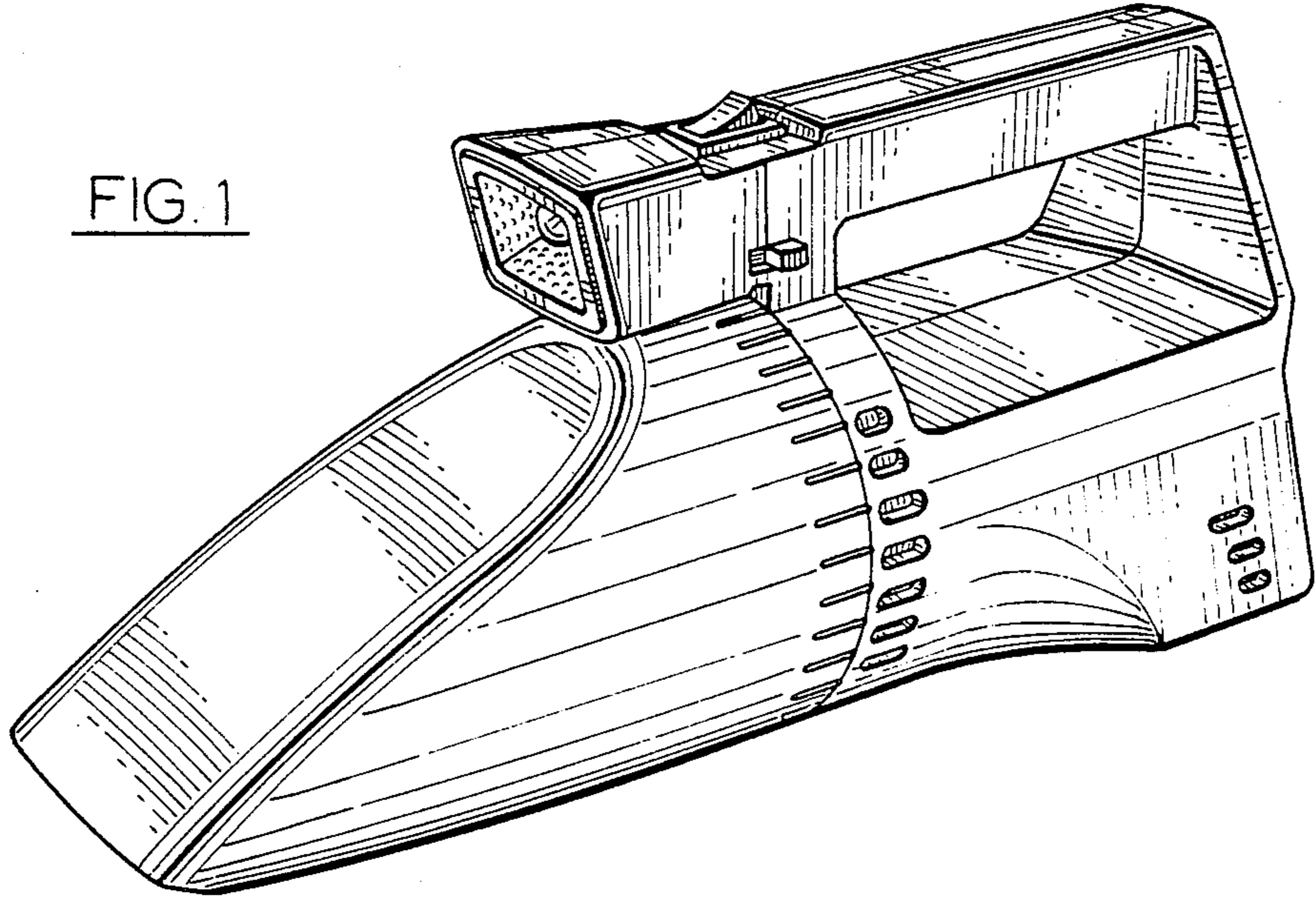
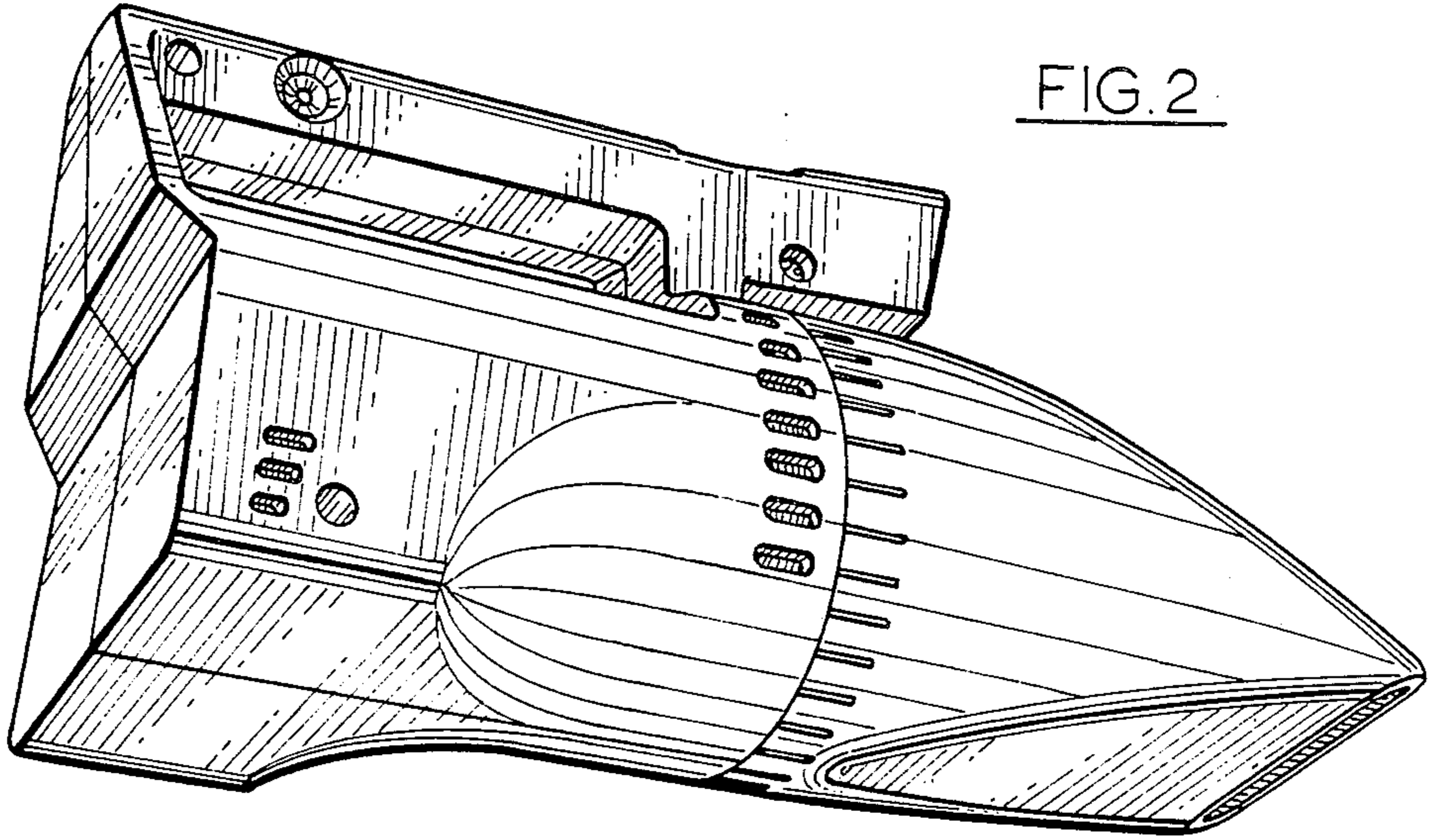


FIG. 2



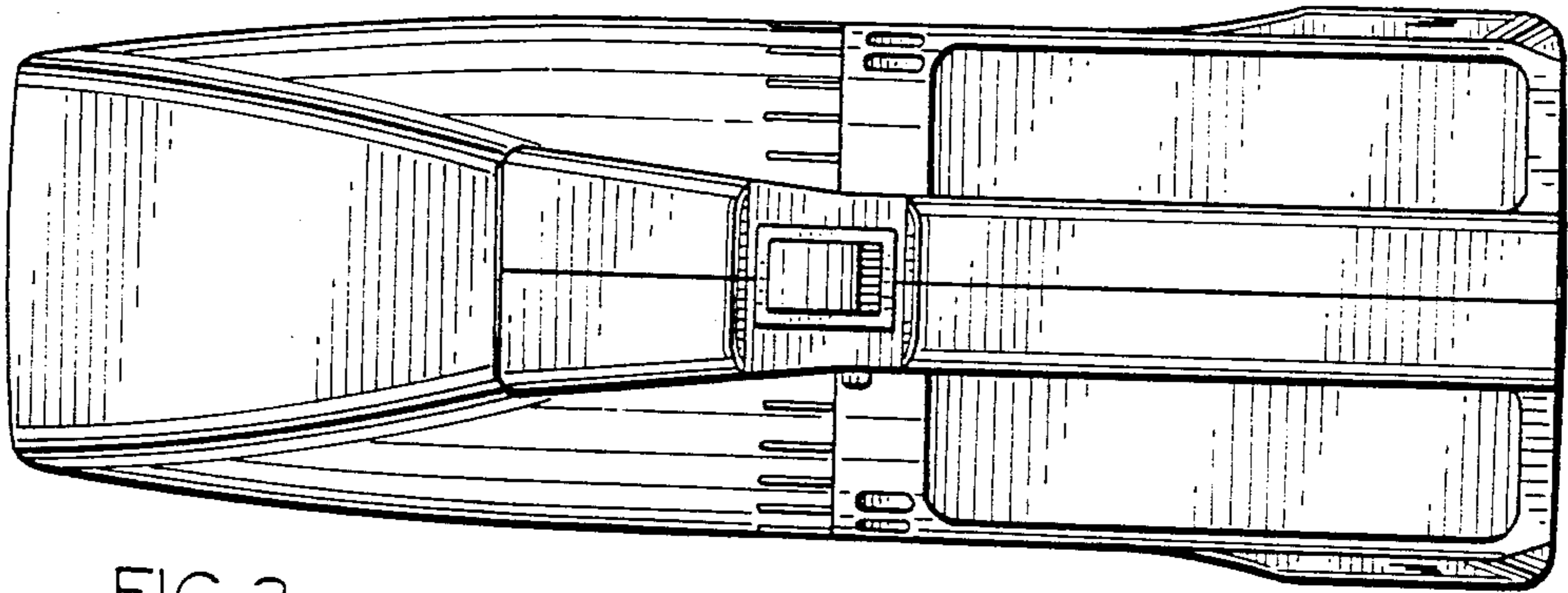


FIG. 3

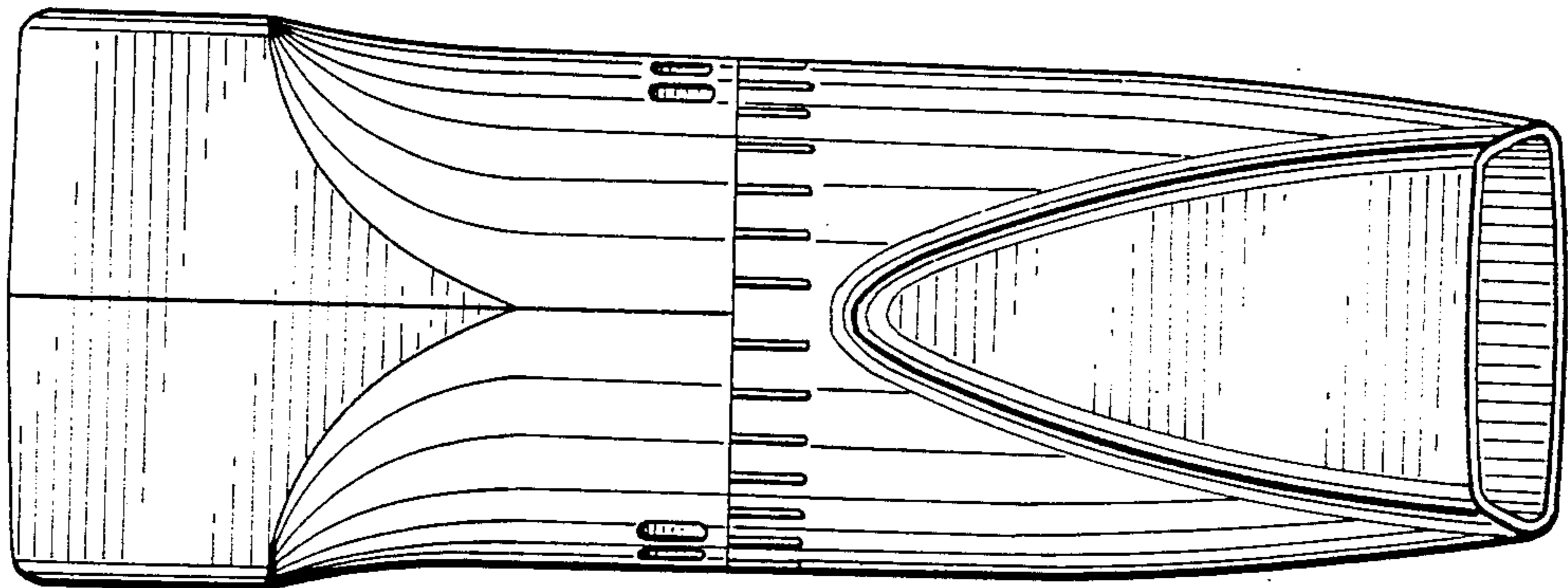


FIG. 4

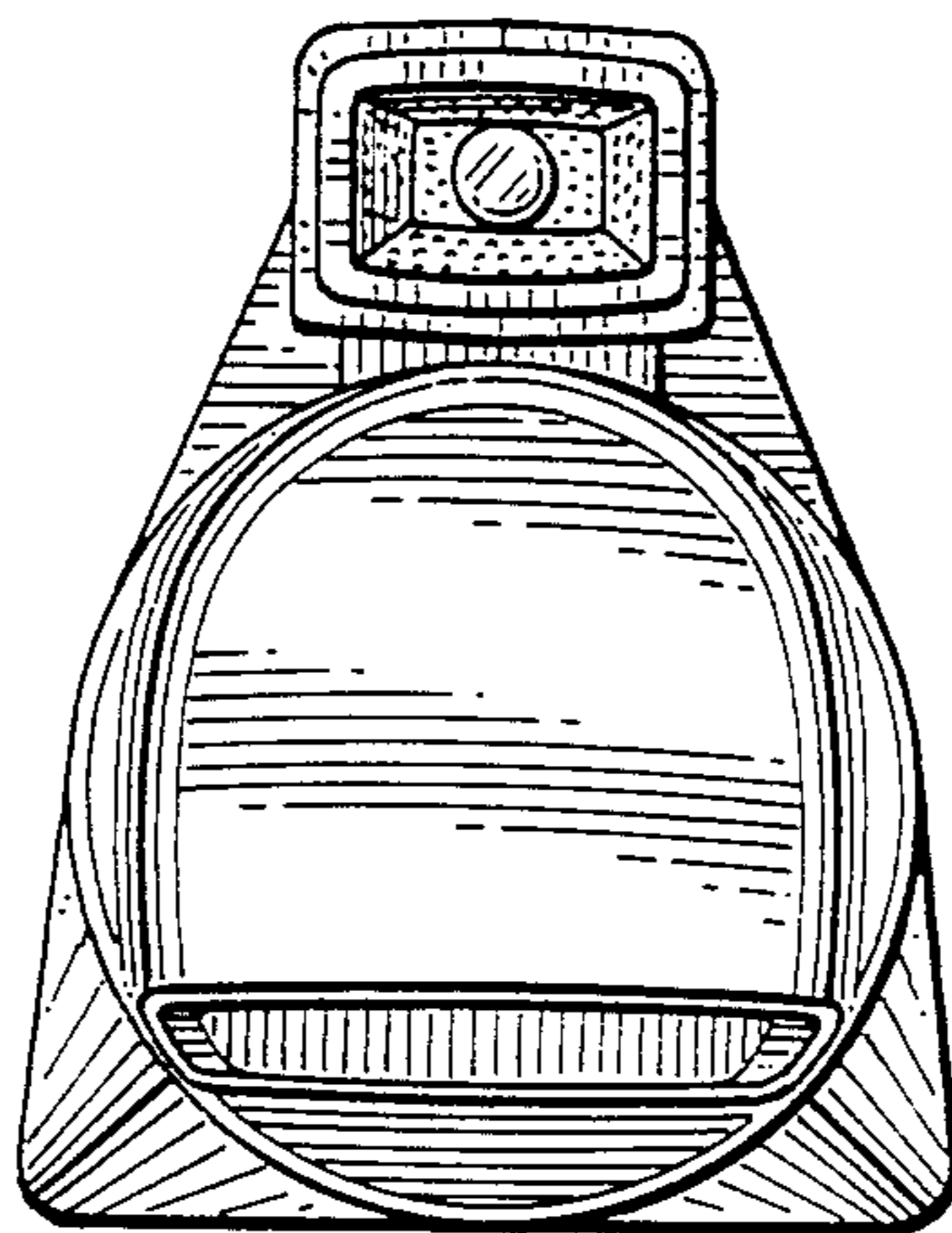


FIG. 5