

[54] MACHINE FOR TAPING LINES TO GYMNASIUM FLOORS AND THE LIKE

[76] Inventor: Allen E. Kriedeman, 202 Greenbriar Ave., Stevens Point, Wis. 54481

[\*\*] Term: 14 Years

[21] Appl. No.: 688,769

[22] Filed: Jan. 4, 1985

[52] U.S. Cl. .... D32/15

[58] Field of Search ..... D32/15-16; 222/608, 611, 613; 156/579; 206/389, 411

[56] References Cited

U.S. PATENT DOCUMENTS

4,357,198	11/1982	Ezqueno	156/579
4,452,663	6/1984	Heaton	156/579
4,459,165	7/1984	Meis et al.	156/579
4,508,587	4/1985	Hunter	156/579

OTHER PUBLICATIONS

Al-Chroma, Incorporated, "Tough Topp Tennis Court Resurfacing for Resurfacing Asphalt and Concrete Tennis Surfaces", P.O. Box 226, Stevens Point, Wisconsin 54881, p. 6.

Primary Examiner—Wallace R. Burke  
Assistant Examiner—Ruth Takemoto  
Attorney, Agent, or Firm—Andrus, Scales, Starke & Sawall

[57] CLAIM

The ornamental design for a machine for taping lines to gymnasium floors and the like, substantially as shown and described.

DESCRIPTION

FIG. 1 is a right side elevational view of a machine for taping lines to gymnasium floors and the like showing my new design;  
FIG. 2 is a left side elevational view thereof;  
FIG. 3 is a top plan view thereof;  
FIG. 4 is a front elevational view thereof;  
FIG. 5 is a rear elevational view thereof;  
FIG. 6 is a top, front and side perspective view thereof;  
FIG. 7 is a right side elevational view of a second embodiment thereof;  
FIG. 8 is a top view thereof; and  
FIG. 9 is a top, front and side perspective view thereof.  
The handle and tape shown in phantom in FIGS. 1 and 7 are for illustrative purposes only and form no part of my design.

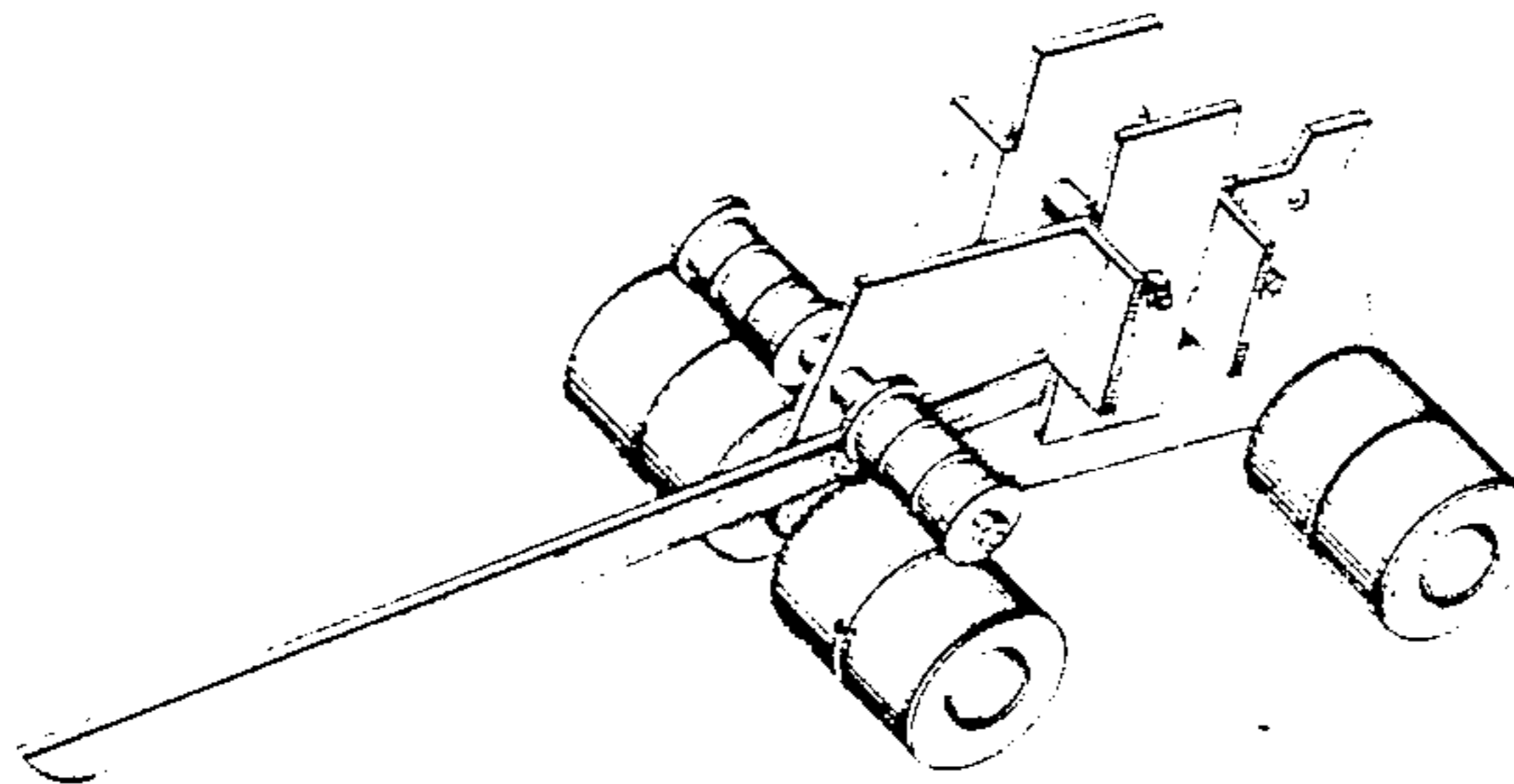
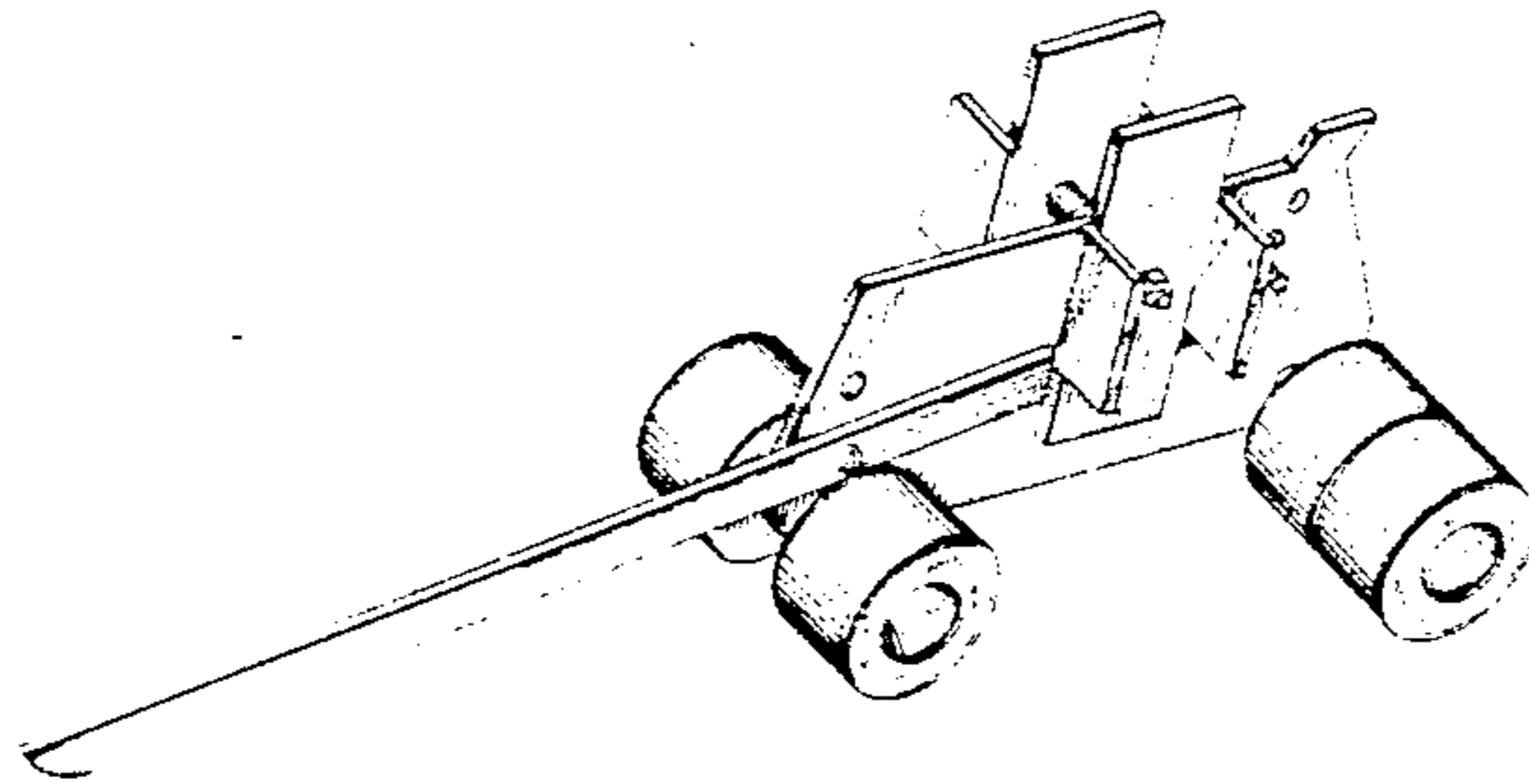


FIG. 1

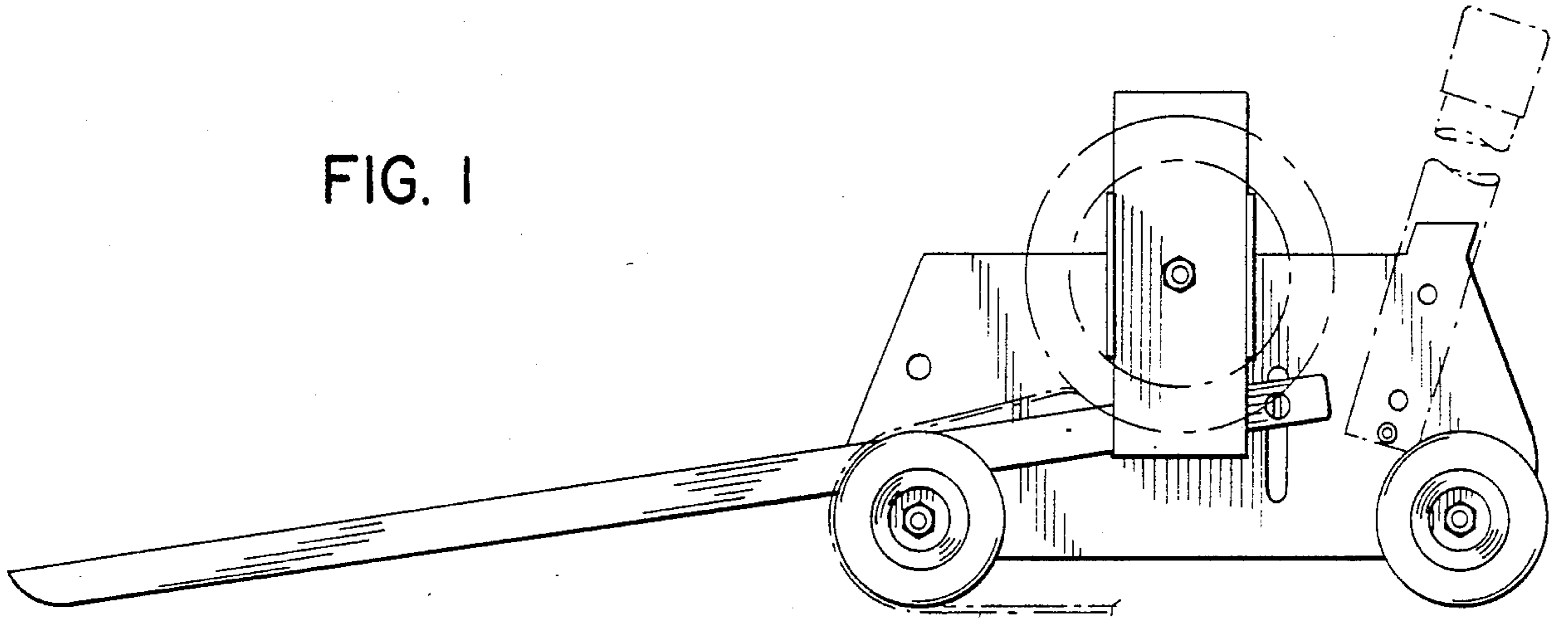


FIG. 2

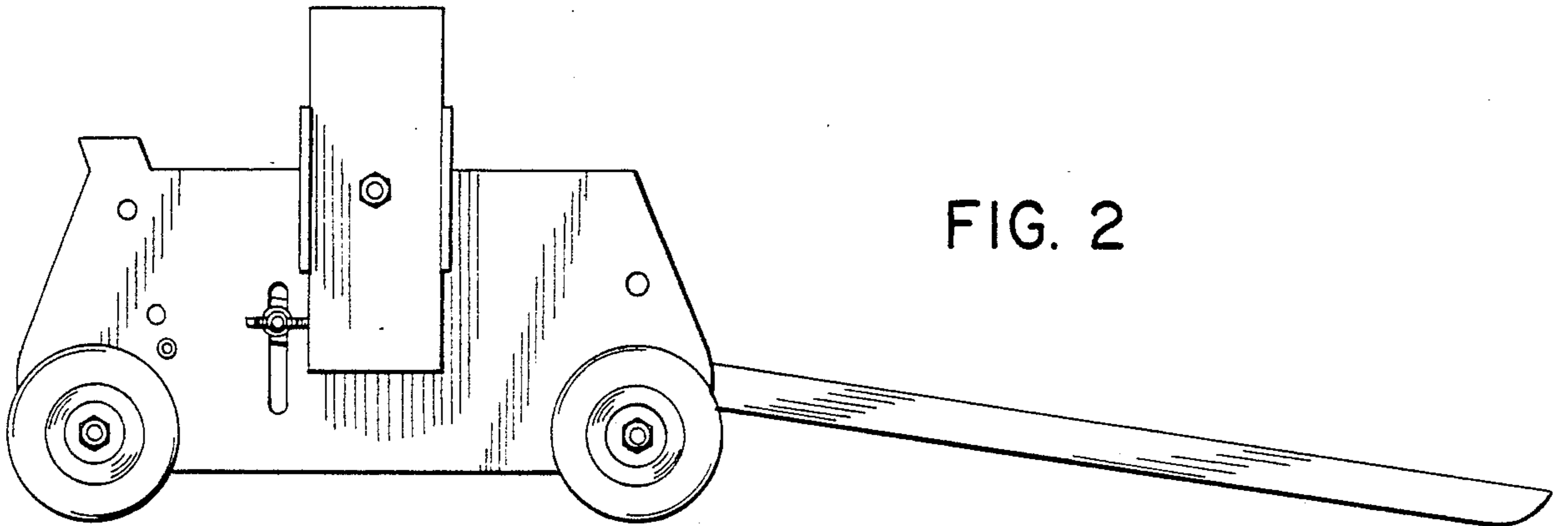
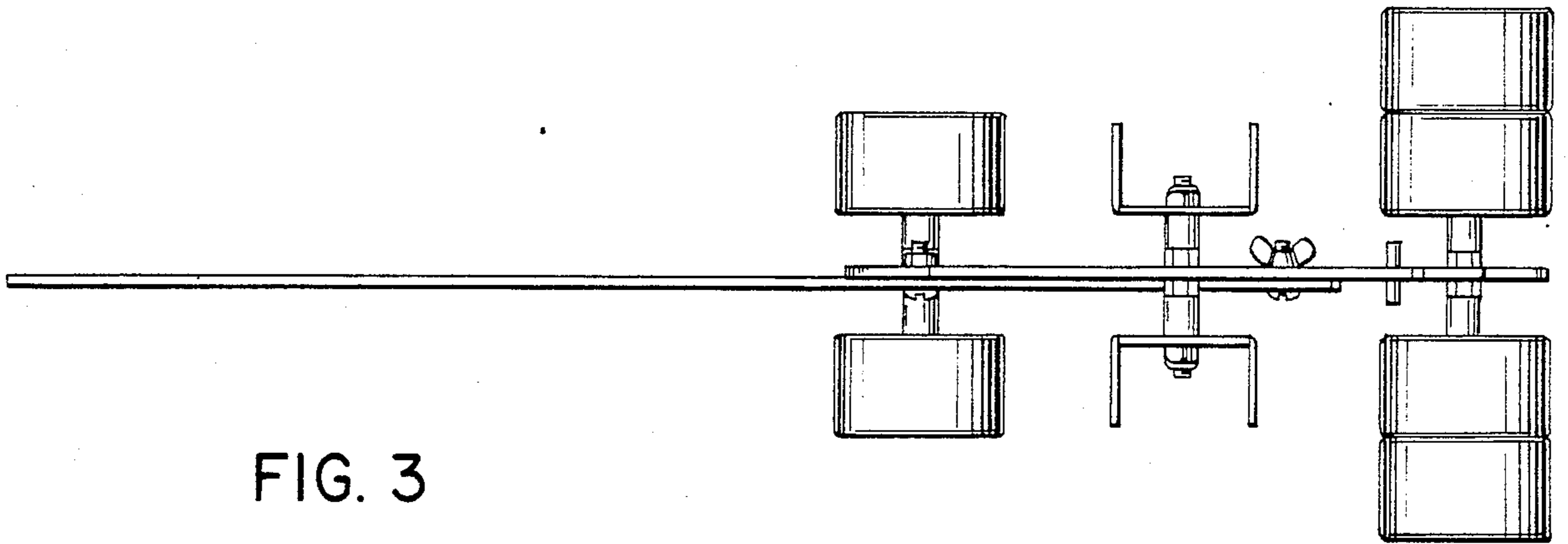


FIG. 3



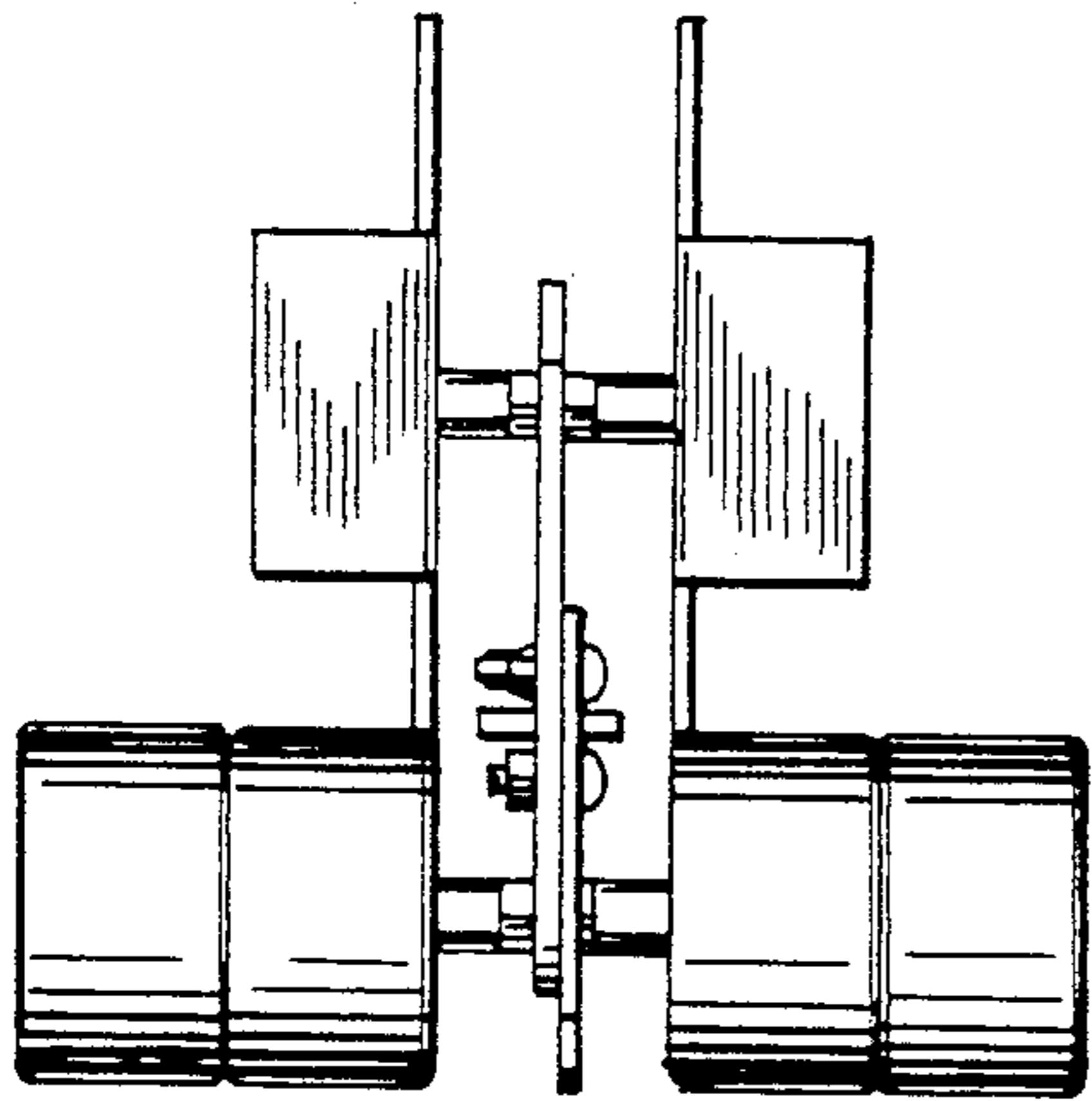


FIG. 4

FIG. 5

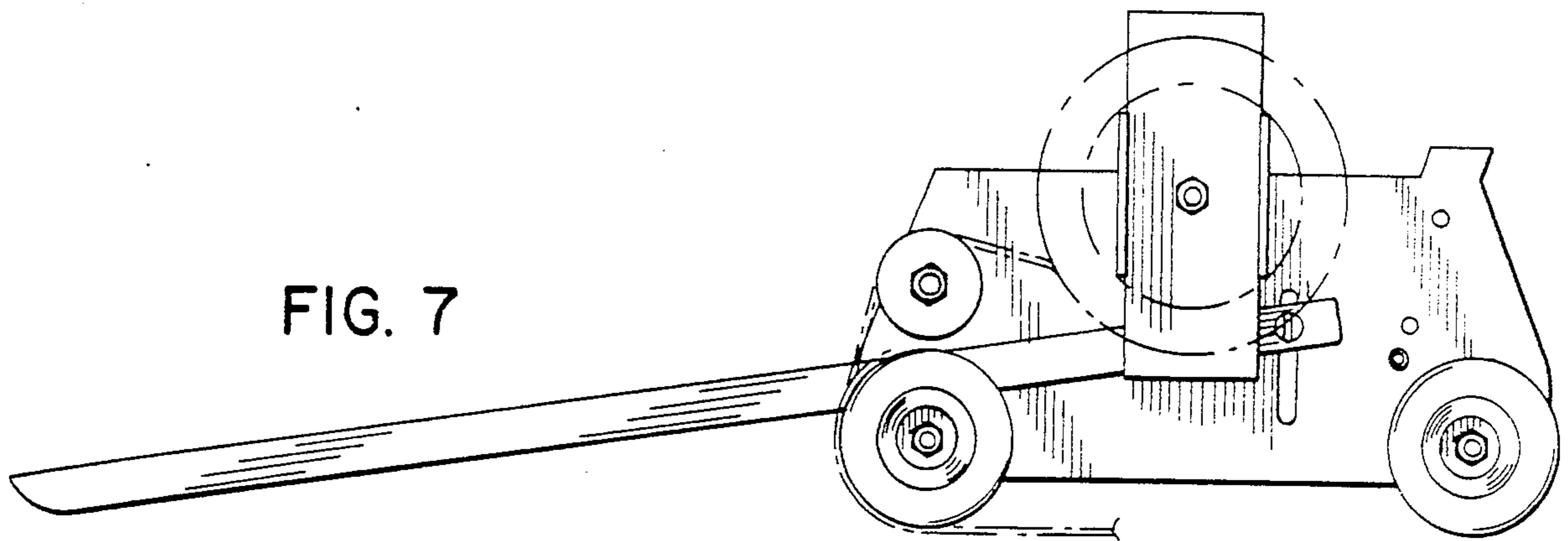
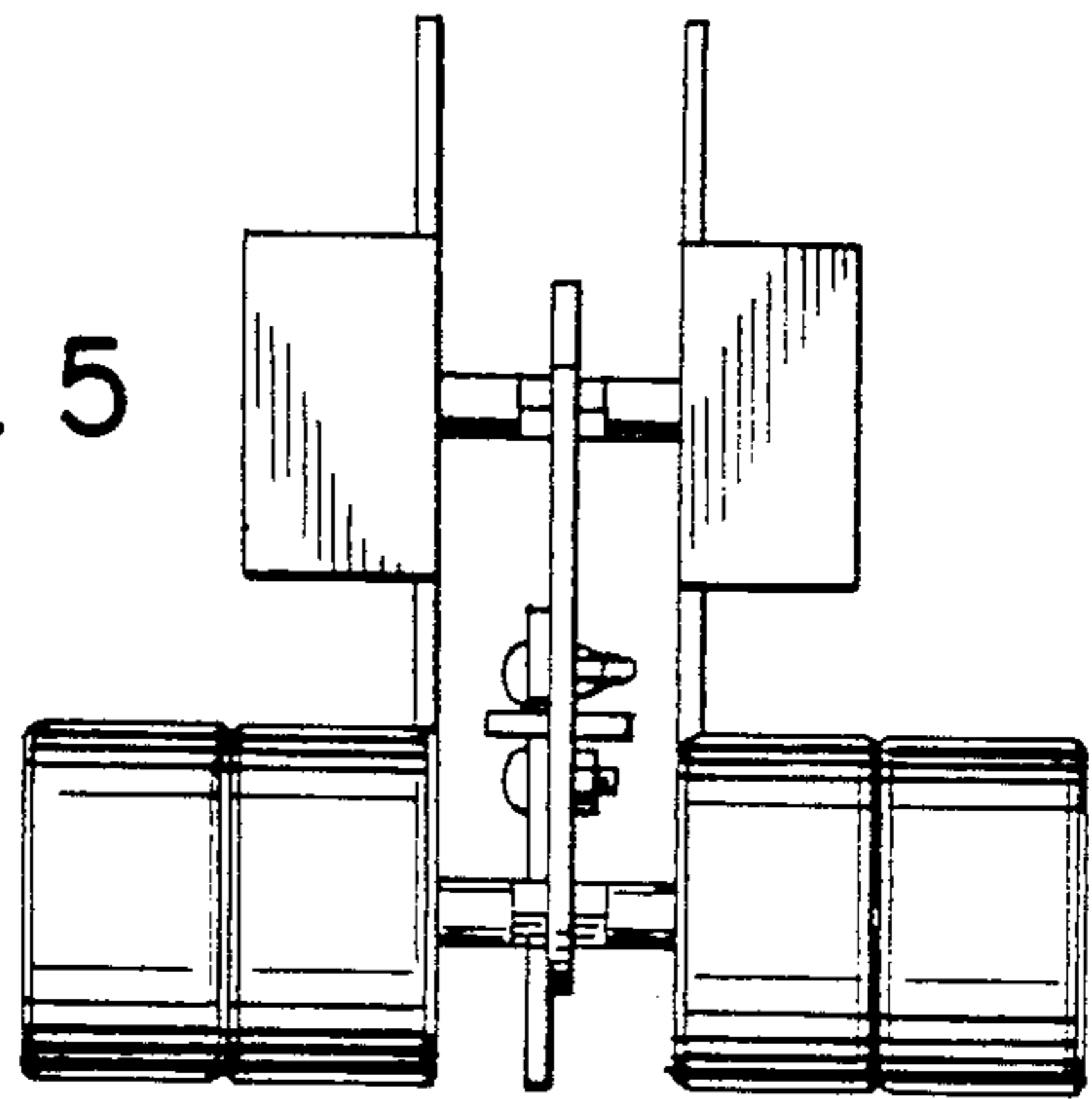


FIG. 7

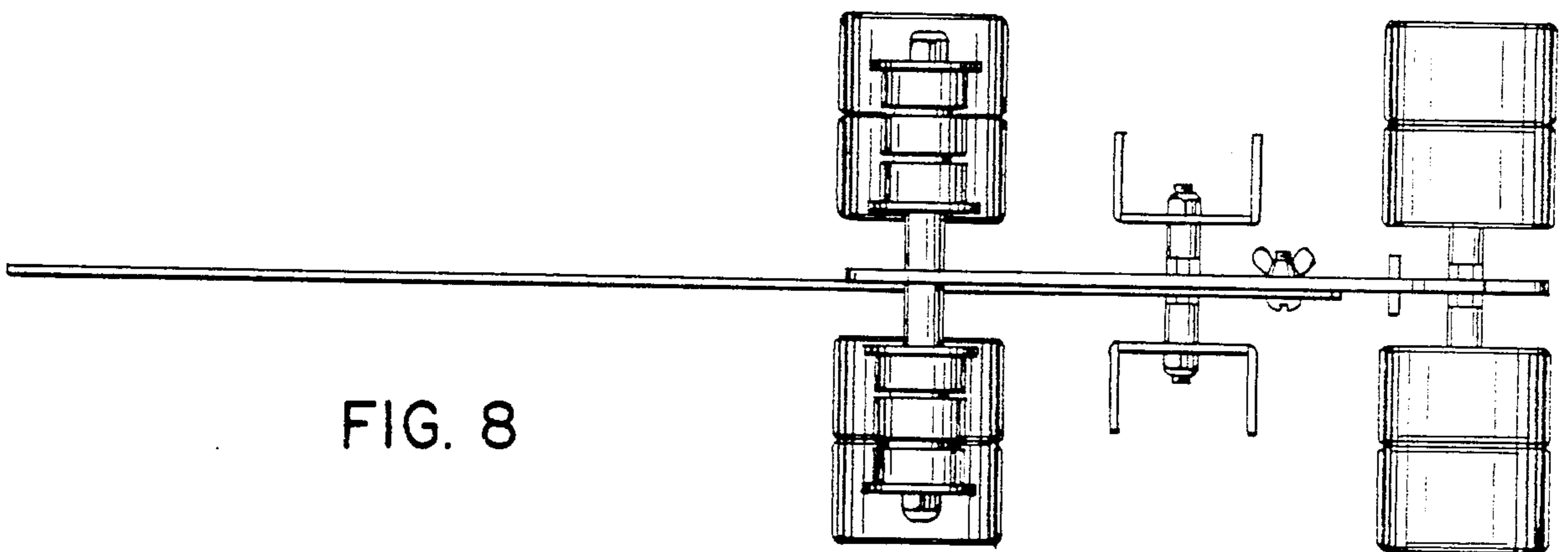


FIG. 8

FIG. 6

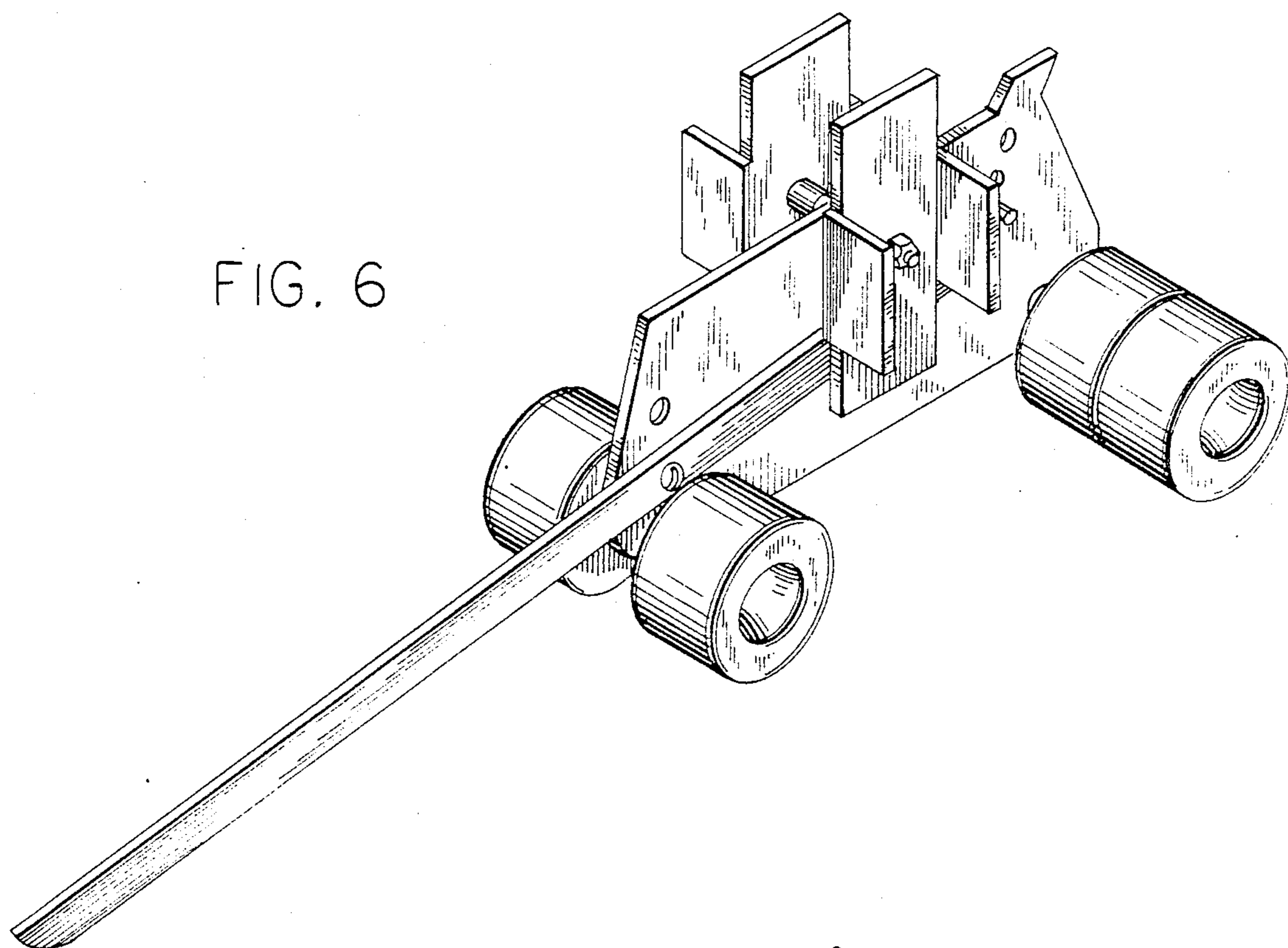


FIG. 9

