

- [54] ADJUSTABLE LIGHT FIXTURE
[75] Inventor: Dieter Witte, Lindenfels, Fed. Rep. of Germany
[73] Assignee: OSRAM Gesellschaft mit beschränkter Haftung, Munich, Fed. Rep. of Germany
[**] Term: 14 Years
[21] Appl. No.: 710,140
[22] Filed: Mar. 11, 1985

- [30] Foreign Application Priority Data
Sep. 14, 1984 [DE] Fed. Rep. of Germany ... MR 14034
[52] U.S. Cl. D26/63
[58] Field of Search D26/72-92,
D26/24; 362/404, 405, 406, 407, 408, 432, 362,
363, 307, 311, 269, 216, 217, 222, 223, 225

- [56] References Cited
U.S. PATENT DOCUMENTS
D. 280,025 8/1985 Waters D26/75 X
2,244,736 6/1941 Stewart 362/223
2,797,311 6/1957 Jurick 362/217

4,464,707 8/1984 Forrest 362/222

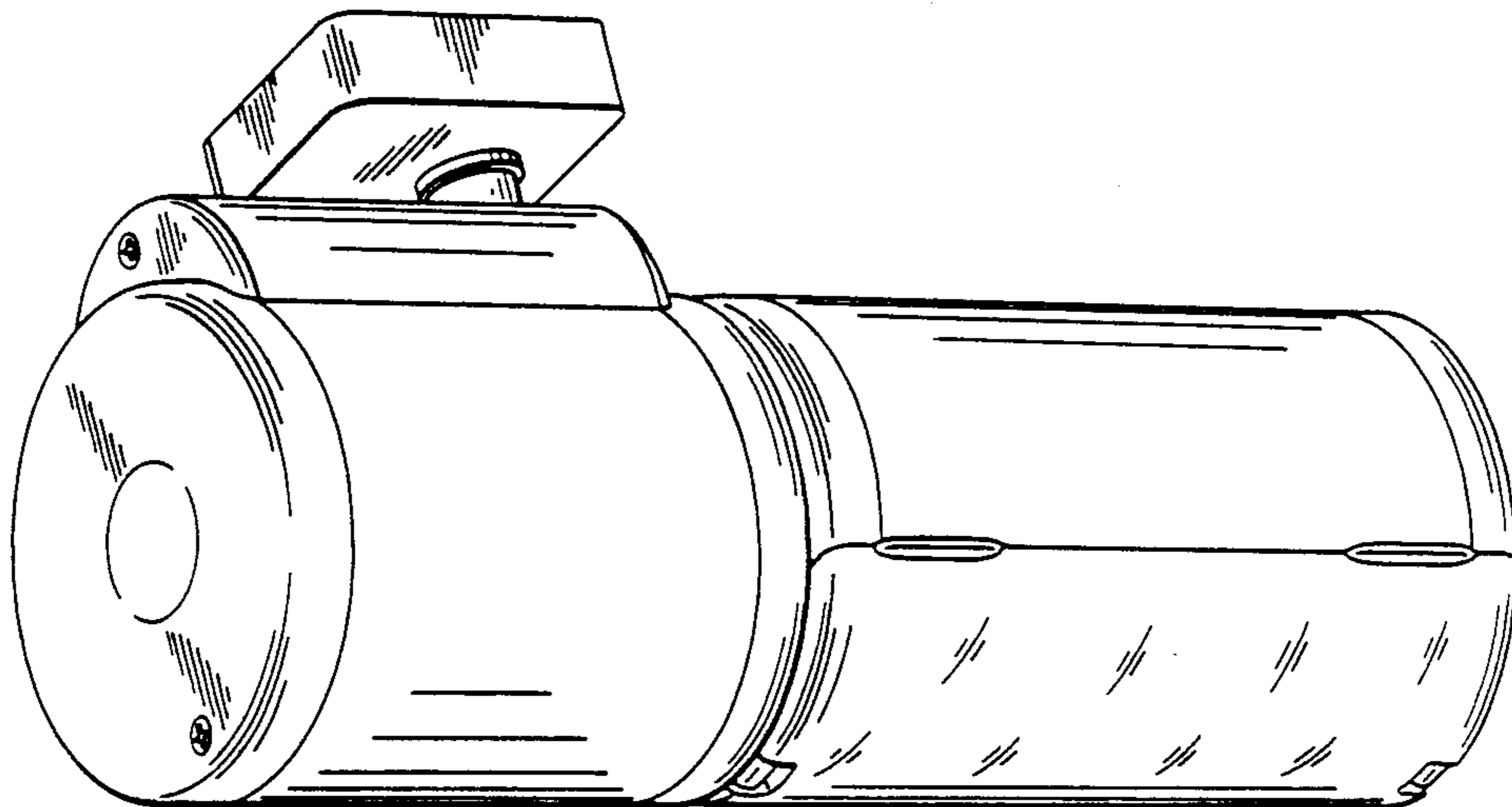
Primary Examiner—Susan J. Lucas
Attorney, Agent, or Firm—Frishauf, Holtz, Goodman & Woodward

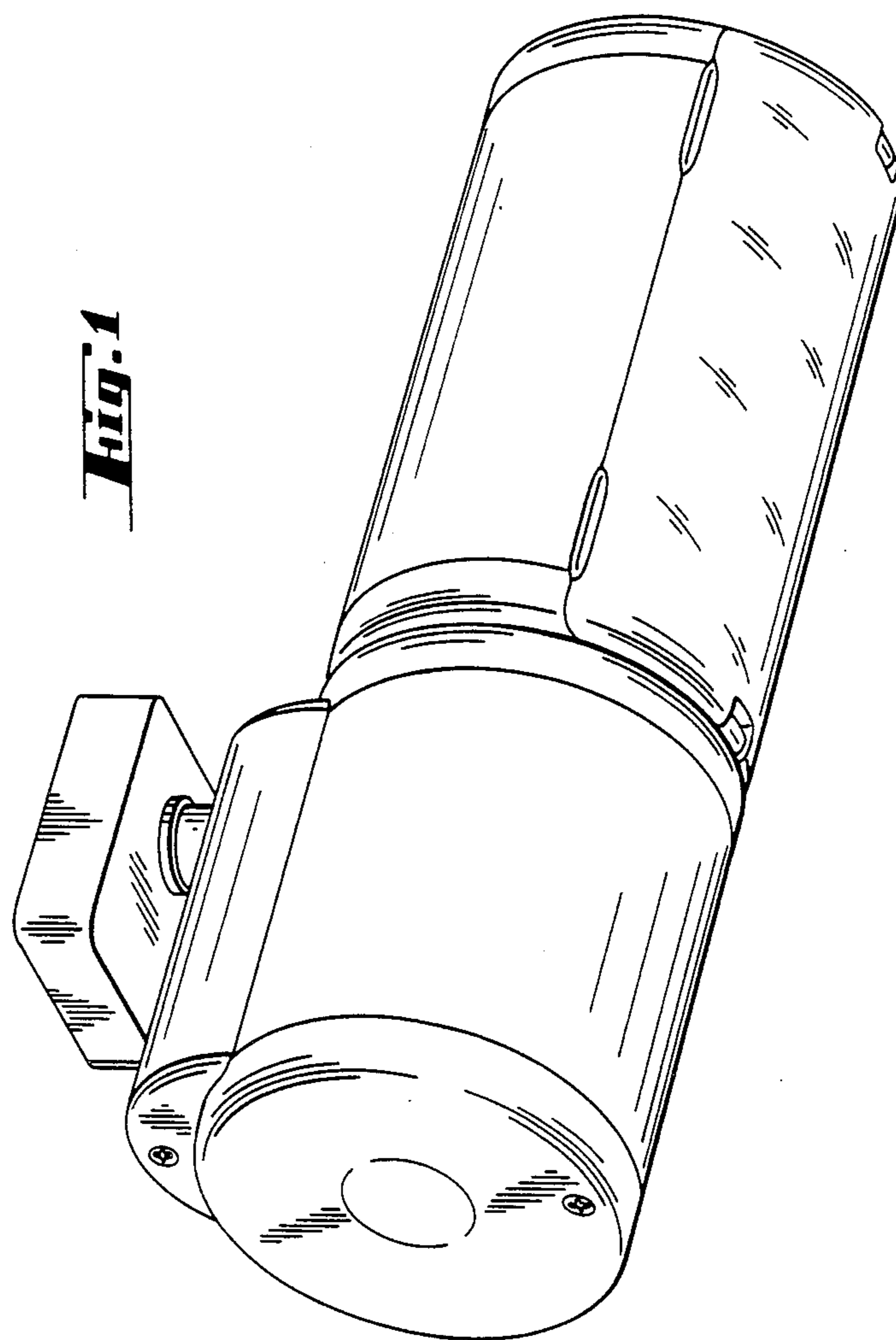
[57] CLAIM

The ornamental design for an adjustable light fixture, as shown and described.

DESCRIPTION

FIG. 1 is a perspective view of an adjustable light fixture showing my new design;
FIG. 2 is a side elevational view thereof;
FIG. 3 is an end elevational view thereof;
FIG. 4 is a top plan view thereof;
FIG. 5 is a bottom plan view thereof;
FIG. 6 is an opposite end elevational view thereof;
FIG. 7 is an opposite side elevational view thereof;
FIG. 8 is a side elevational view thereof with the lamp housing rotated with respect to the square mounting plate to an alternate position;
FIG. 9 is a perspective view thereof with the lamp housing rotated with respect to the square mounting plate and the housing portion containing the lens rotated to an alternate position.





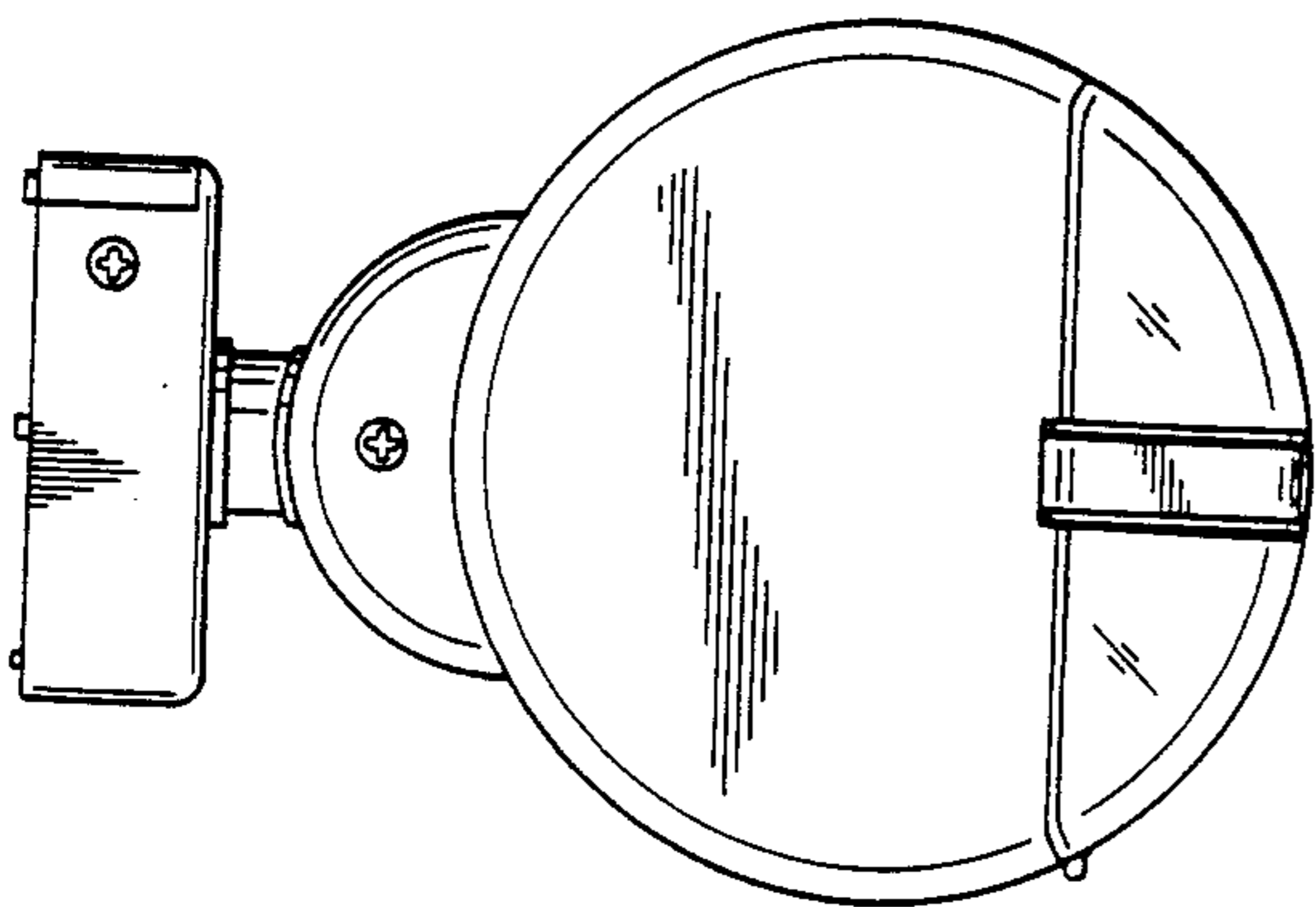
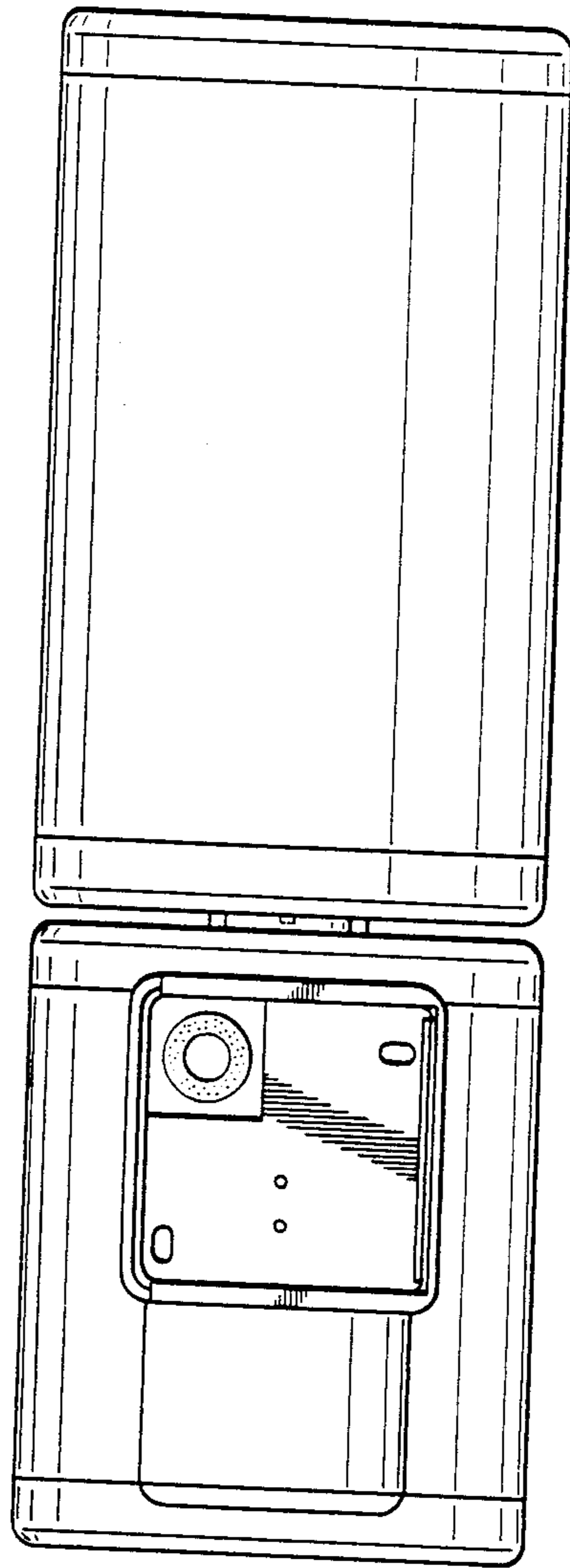
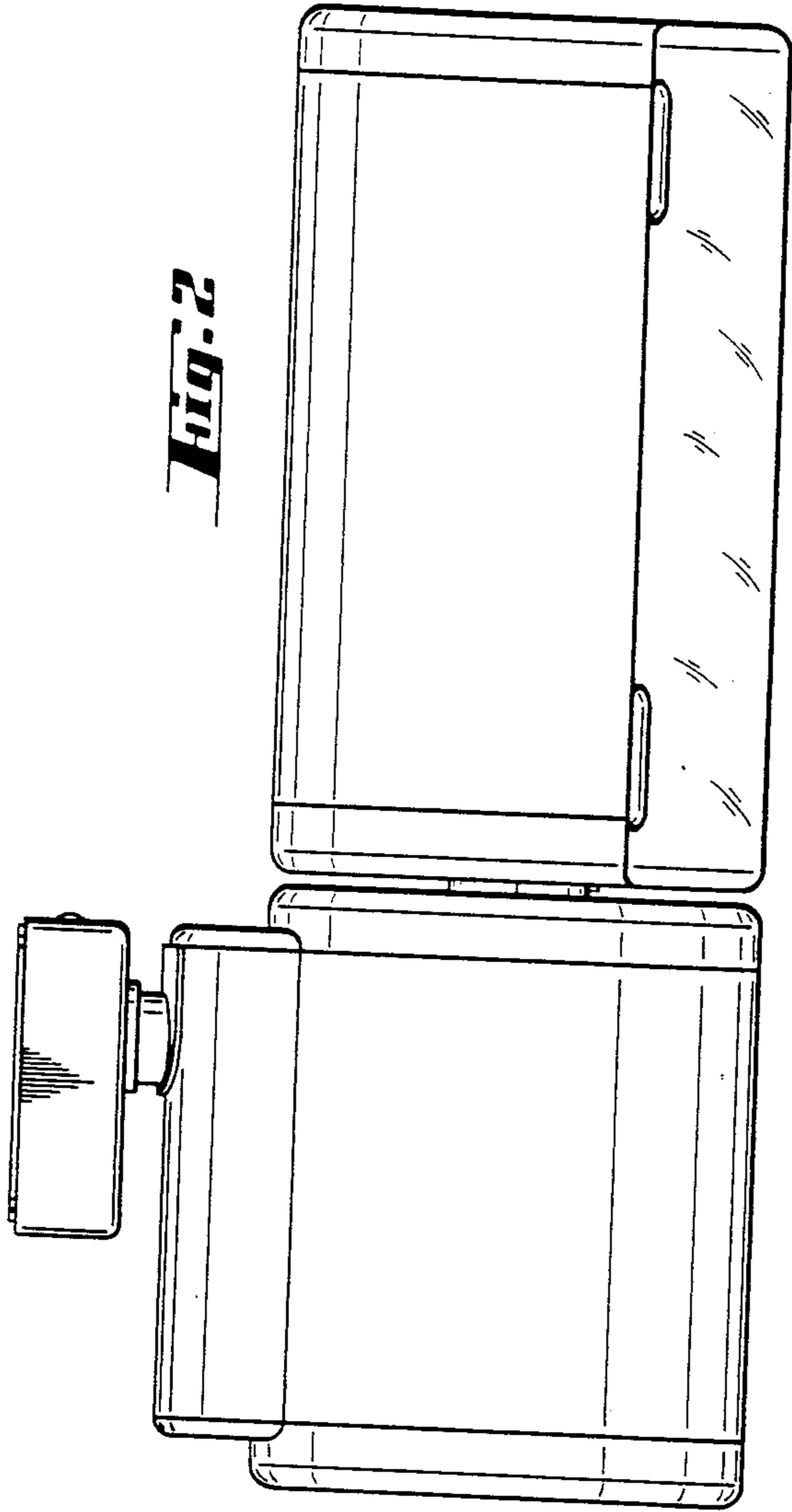


Fig. 3

Fig. 4

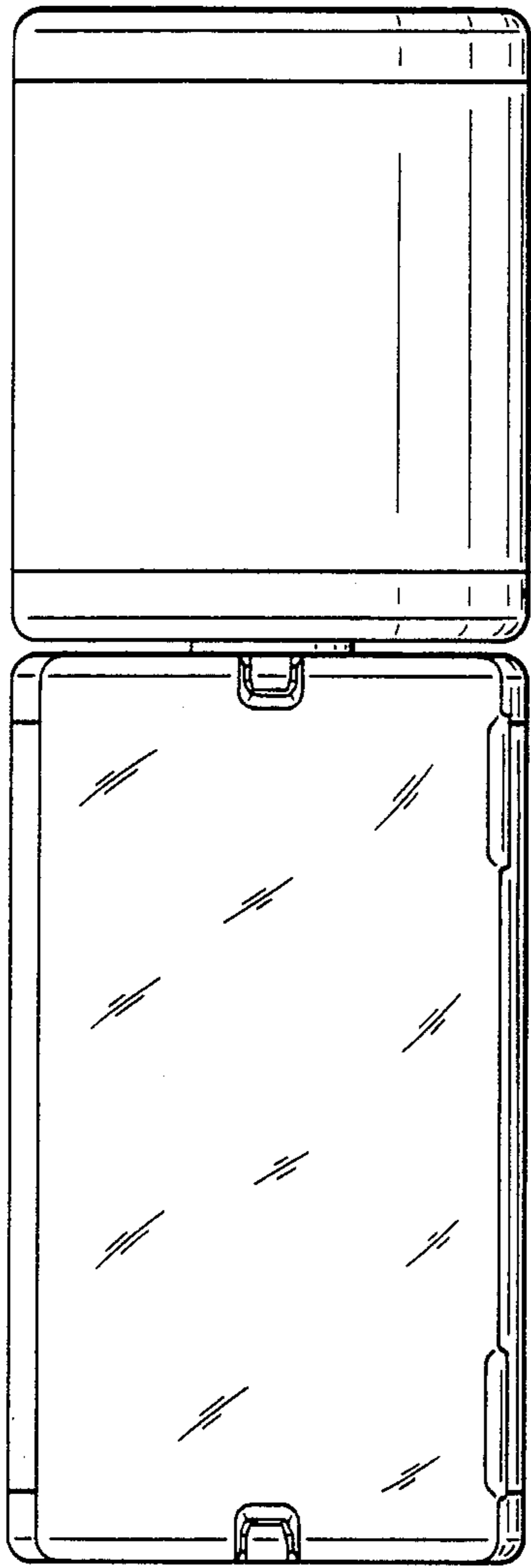


Fig. 5

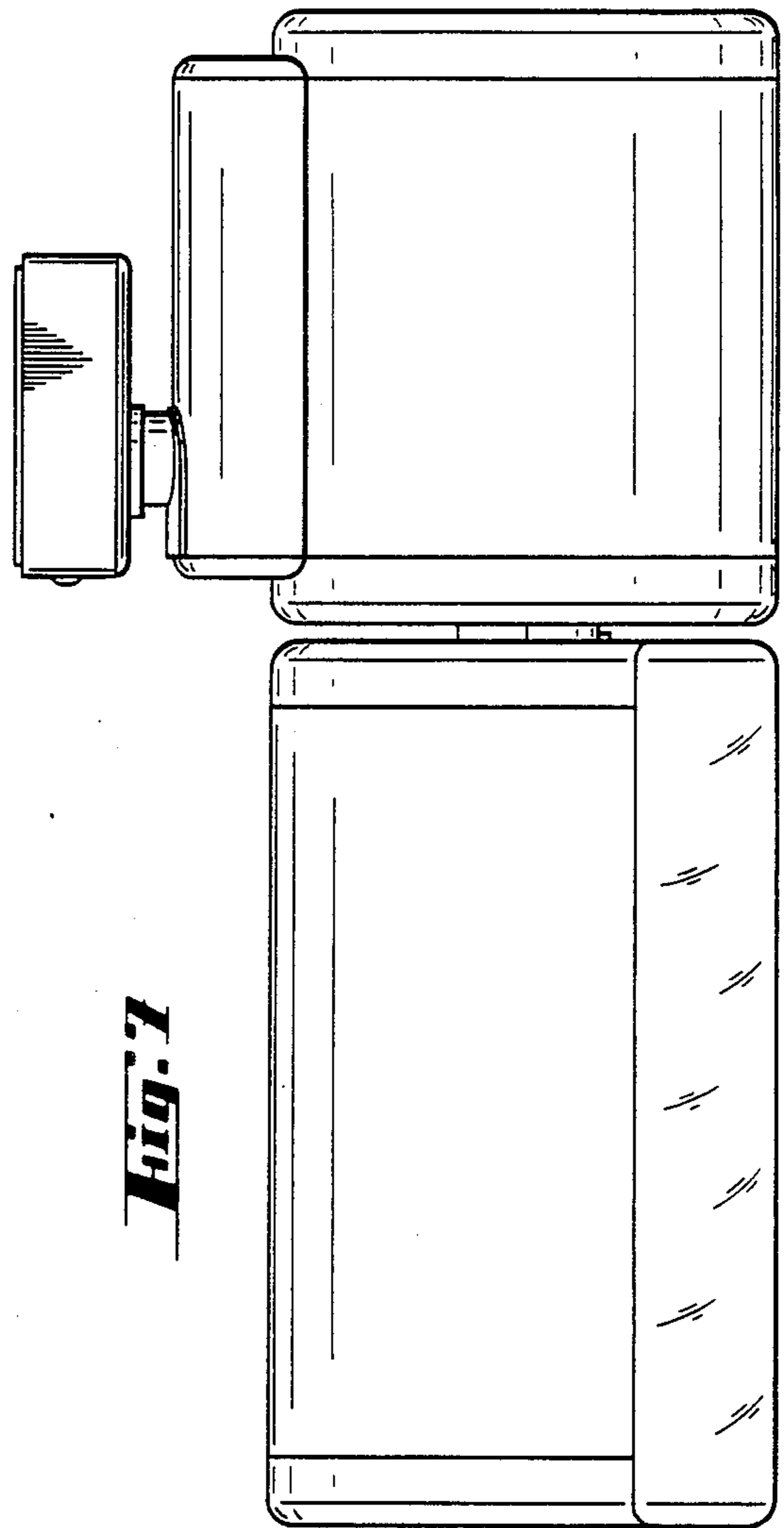
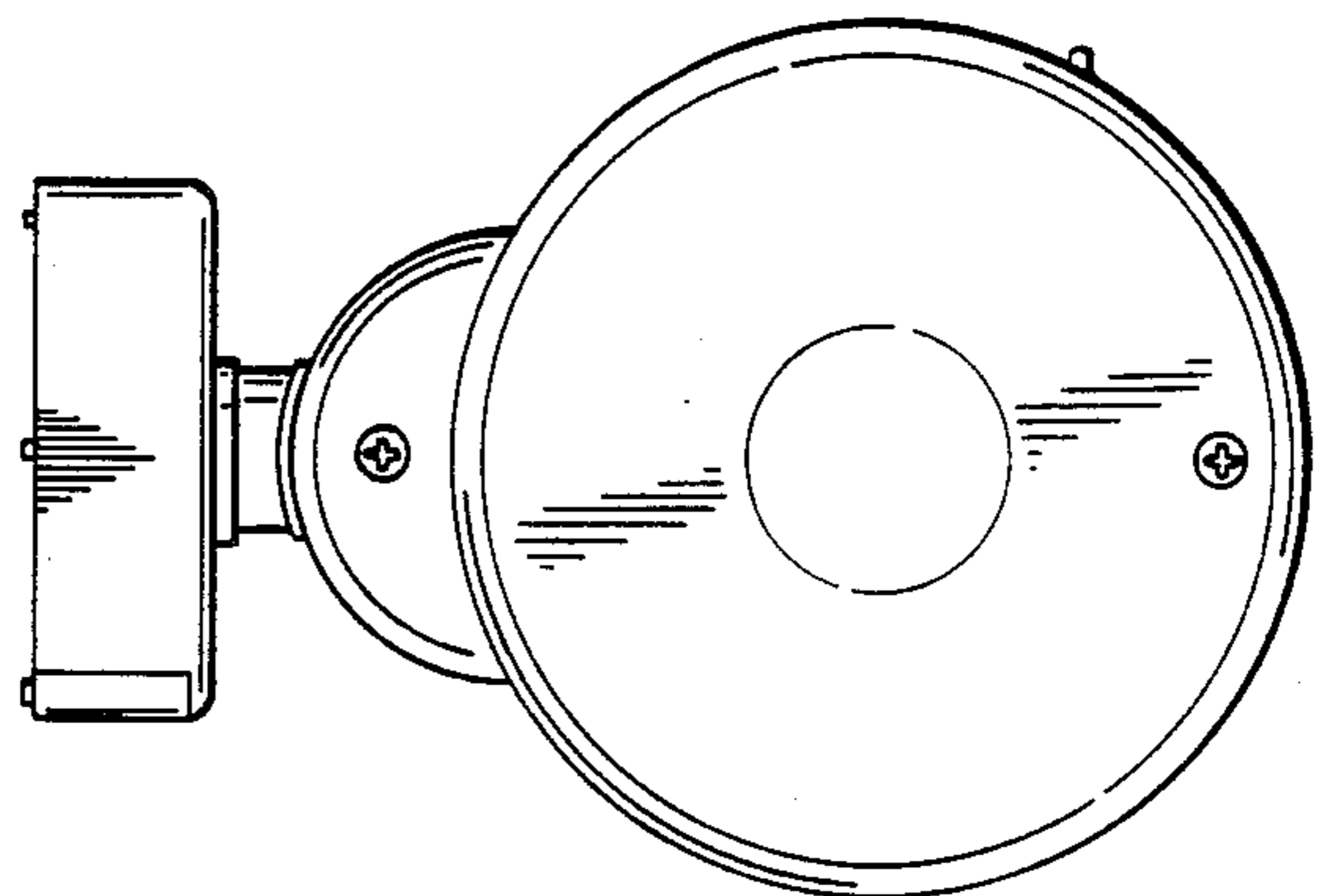


Fig. 7

Fig. 6



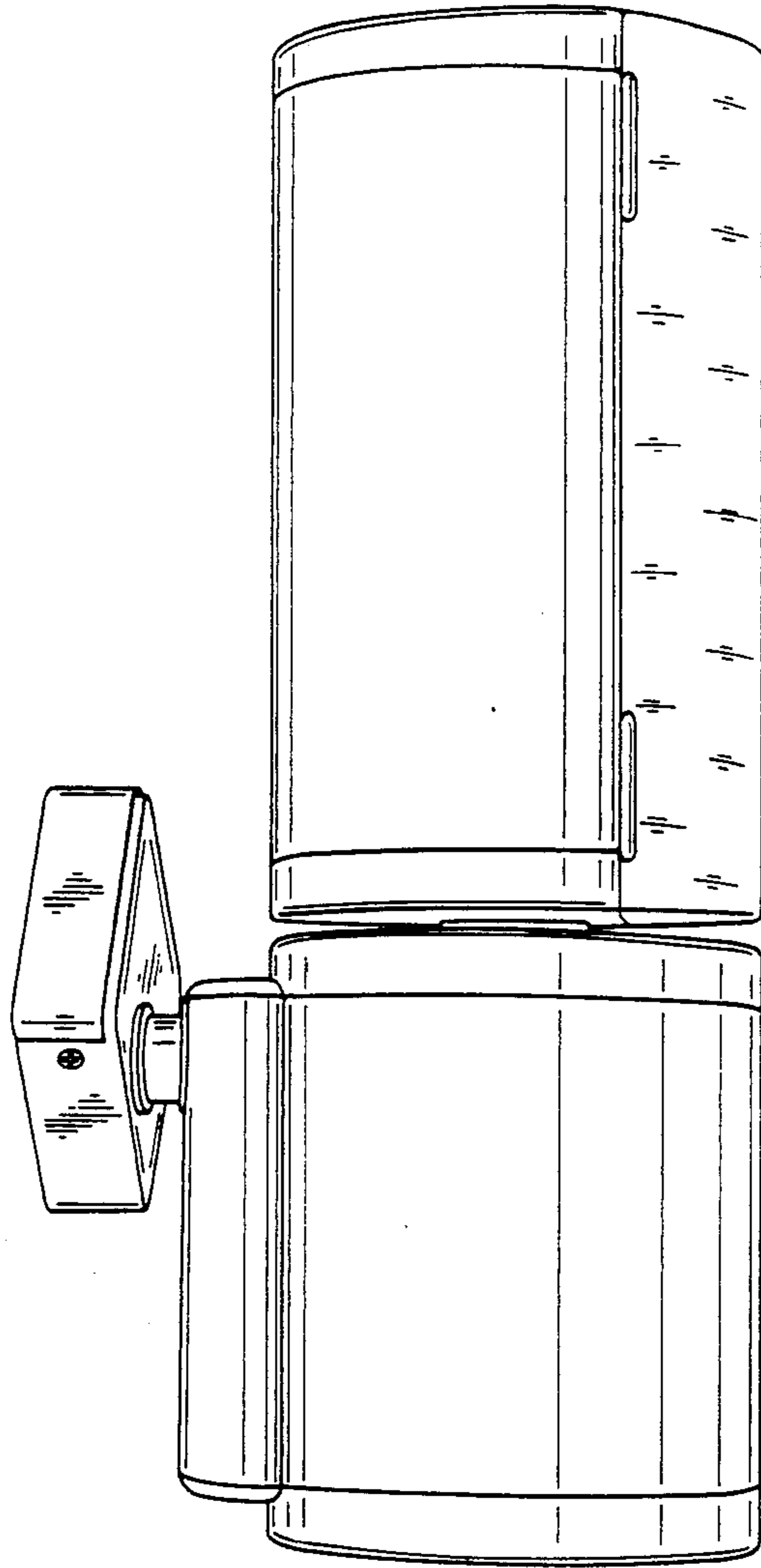


Fig. 8

