

[54] COMBINED ASTRAGAL EXTRUSION AND SEAL

[75] Inventor: Edward O. Stepanian, Glendale, Calif.

[73] Assignee: Adams Rite Manufacturing Co., City of Industry, Calif.

[**] Term: 14 Years

[21] Appl. No.: 693,386

[22] Filed: Jan. 22, 1985

[52] U.S. Cl. D25/125

[58] Field of Search D25/74; 49/493, 475; 52/232

[56] References Cited

U.S. PATENT DOCUMENTS

D. 232,545 8/1974 Long, III D25/74

3,079,653 3/1963 Cornell 49/493
4,585,131 4/1986 Crossman et al. D25/74 X

Primary Examiner—A. Hugo Word
Attorney, Agent, or Firm—Whann & Connors

[57] CLAIM

The ornamental design for a combined astragal extrusion and seal, as shown and described.

DESCRIPTION

FIG. 1 is a perspective view, of indeterminate length, showing my new design for a combined astragal extrusion and seal;

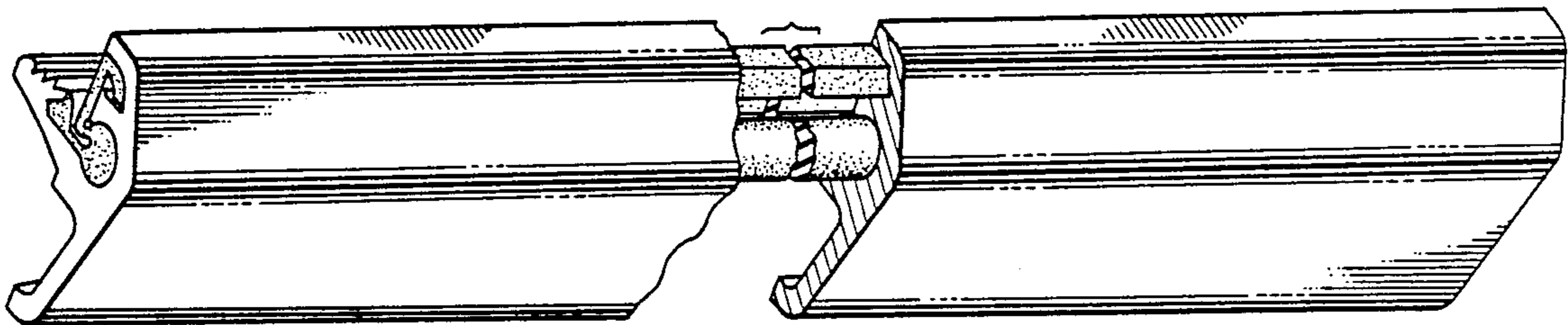
FIG. 2 is an elevational view of the visible end, as shown in FIG. 1

FIG. 3 is a fragmentary front side elevational view of the same;

FIG. 4 is a fragmentary rear side elevational view;

FIG. 5 is a fragmentary top plan view; and

FIG. 6 is a fragmentary bottom plan view.



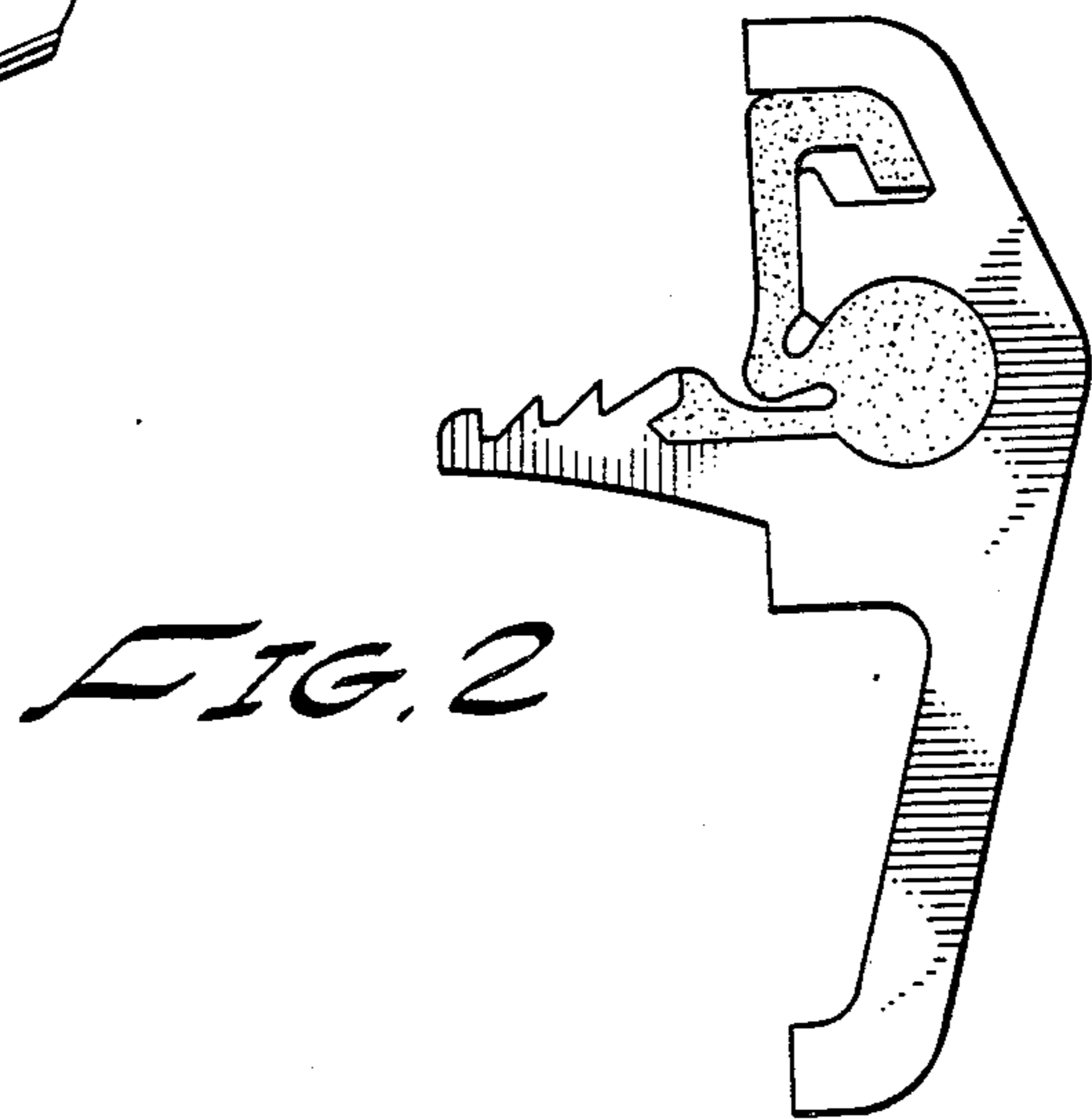
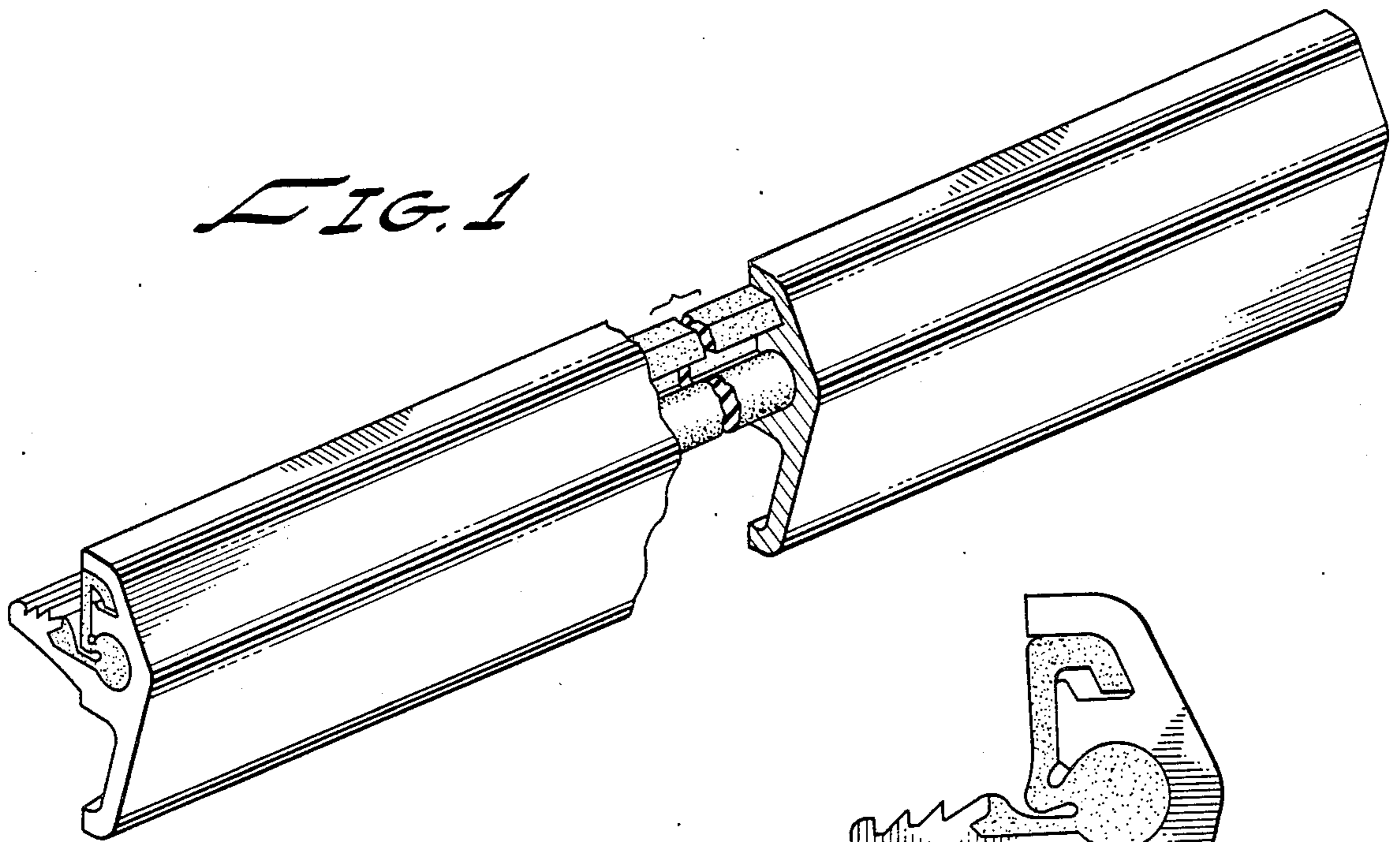
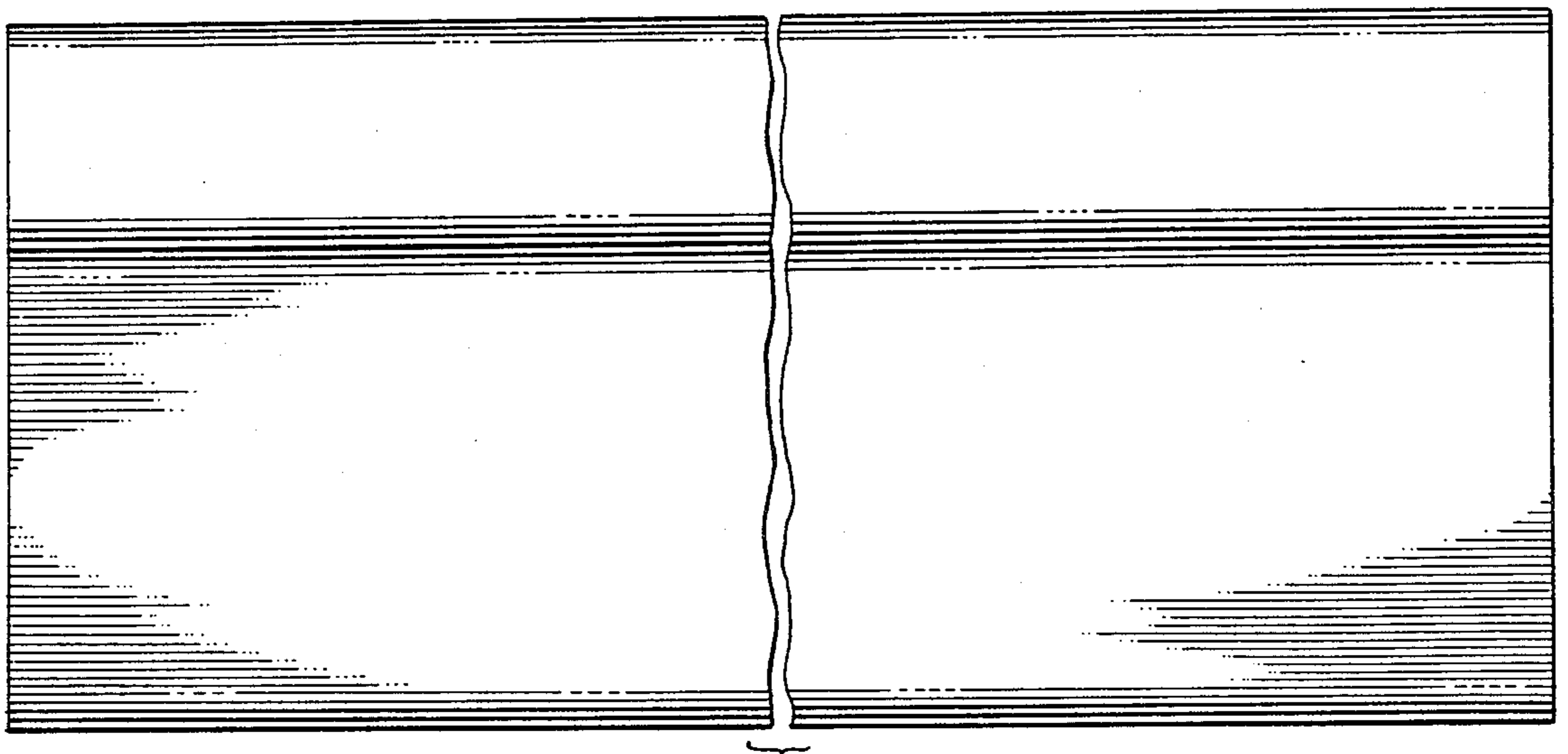


FIG. 3



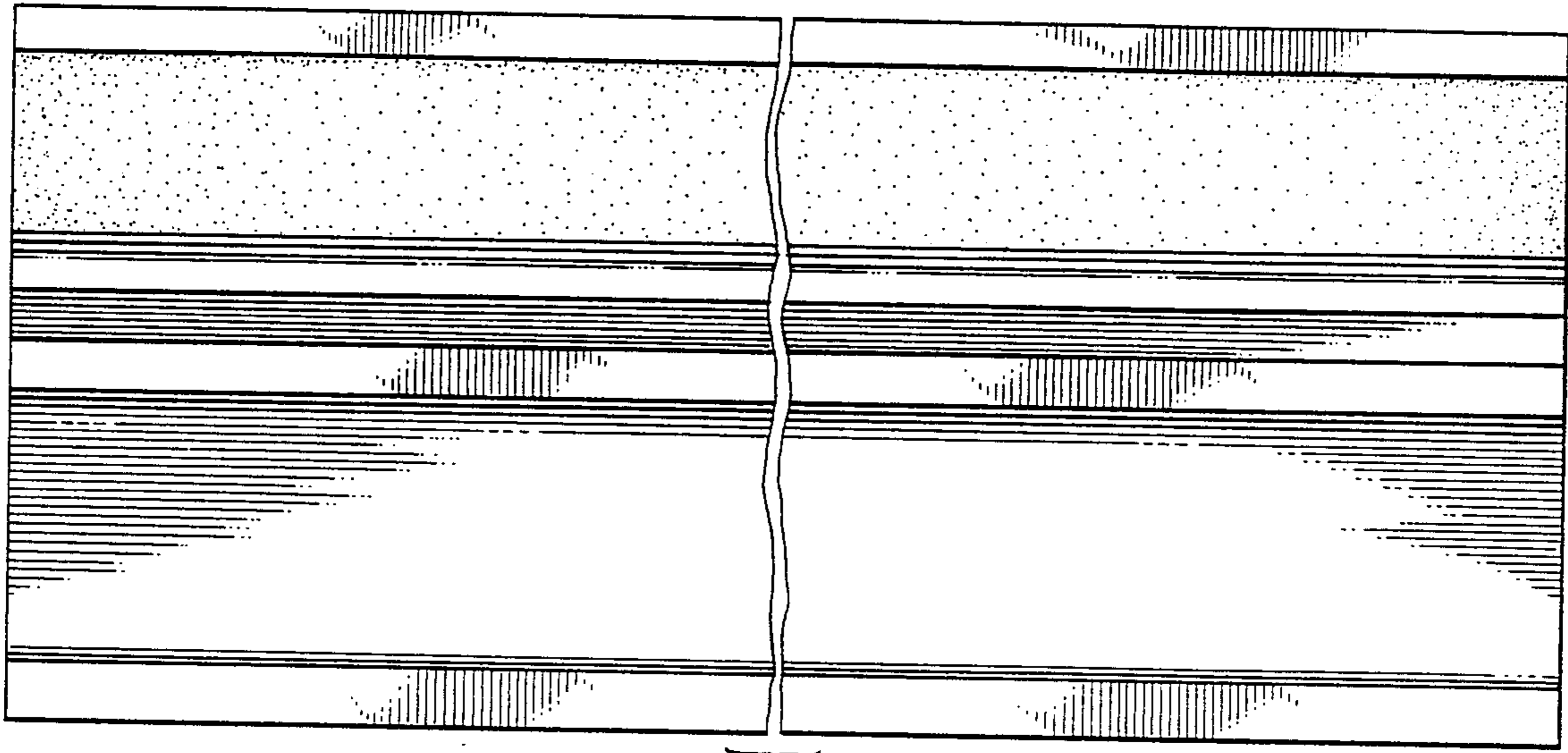


FIG. 4

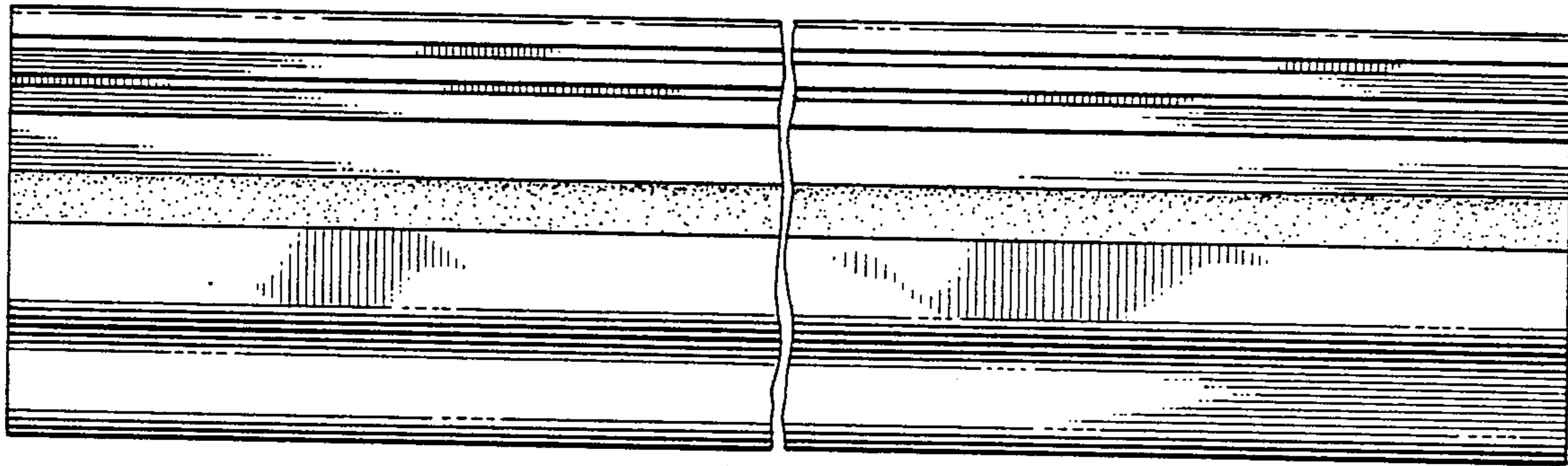


FIG. 5

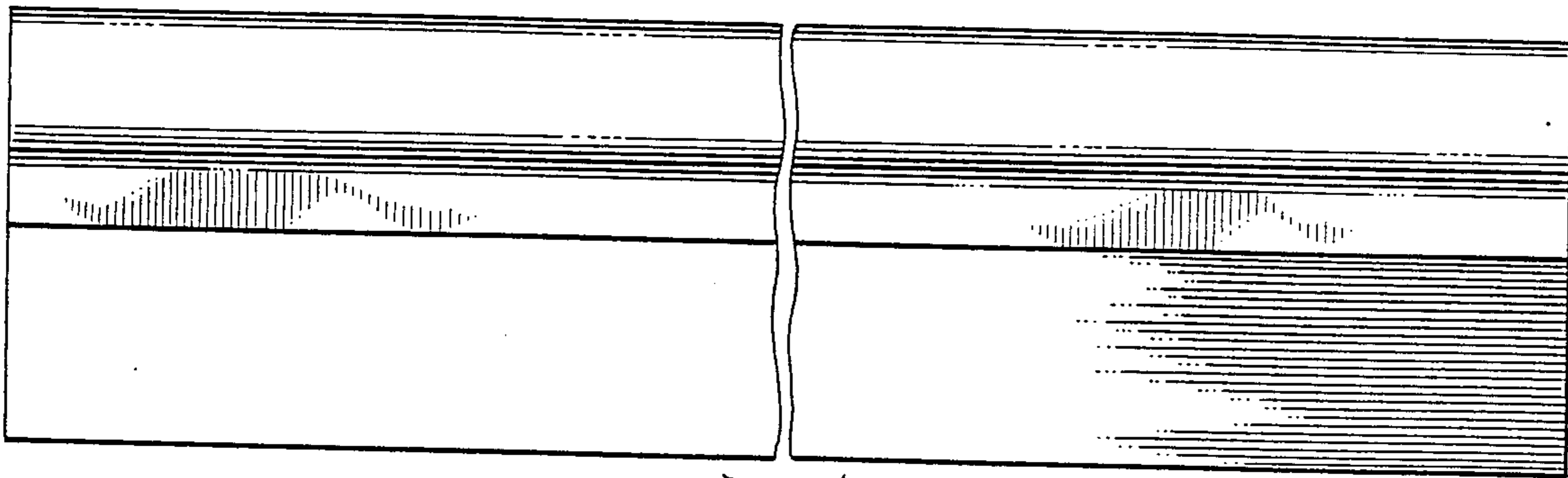


FIG. 6