

# United States Patent [19]

Poma

[11] Patent Number: **Des. 293,718**

[45] Date of Patent: **\*\* Jan. 12, 1988**

[54] **SPLICE INSERT FOR BALCONY RAILING SYSTEMS**

[75] Inventor: **Frank Poma, West Palm Beach, Fla.**

[73] Assignee: **Metal Fab Equipment, Inc., Lake Park, Fla.**

[\*\*] Term: **14 Years**

[21] Appl. No.: **552,348**

[22] Filed: **Nov. 16, 1983**

[52] U.S. Cl. .... **D25/122; D8/382**

[58] Field of Search ..... **403/405, 298; 256/59; D25/38, 73, 74, 75; D8/354, 366, 382, 396**

[56] **References Cited**

**U.S. PATENT DOCUMENTS**

|            |         |                   |           |
|------------|---------|-------------------|-----------|
| D. 192,650 | 4/1962  | Lewer .....       | D8/382    |
| D. 231,430 | 4/1974  | Steinhauser ..... | D8/382    |
| 3,046,040  | 7/1962  | Luper .....       | D8/382 X  |
| 3,596,880  | 8/1971  | Greenberg .....   | 256/59 X  |
| 3,918,686  | 11/1975 | Knott et al. .... | 256/59    |
| 4,014,520  | 3/1977  | Walters .....     | 256/59 X  |
| 4,296,587  | 10/1981 | Berdan .....      | 403/298 X |

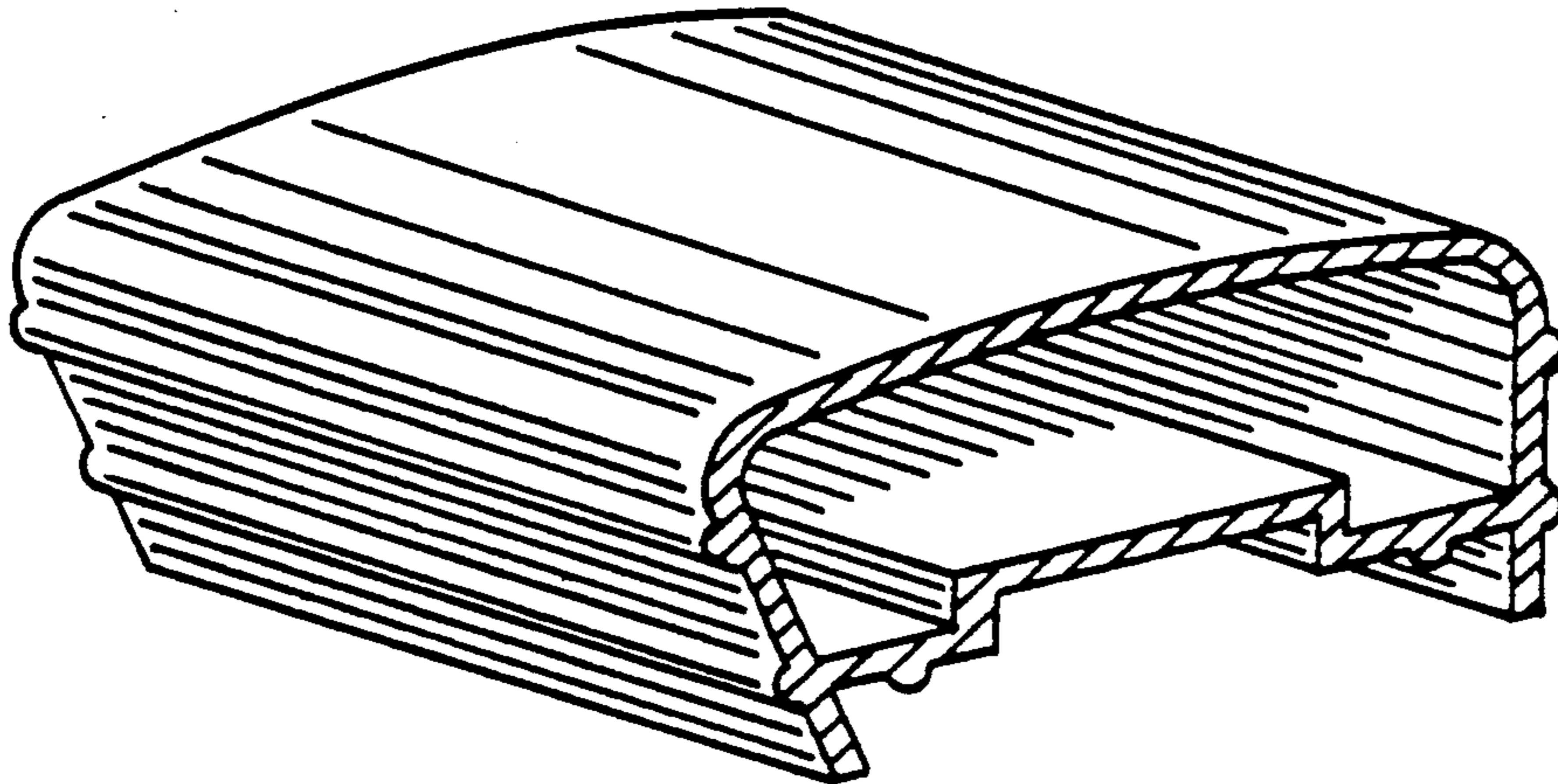
*Primary Examiner*—A. Hugo Word  
*Attorney, Agent, or Firm*—Edward F. O'Connor

[57] **CLAIM**

The ornamental design for a splice insert for balcony railing systems, as shown and described.

**DESCRIPTION**

FIG. 1 is an end view of a splice insert for balcony railing systems, showing my new design; and FIG. 2 is a perspective view thereof.



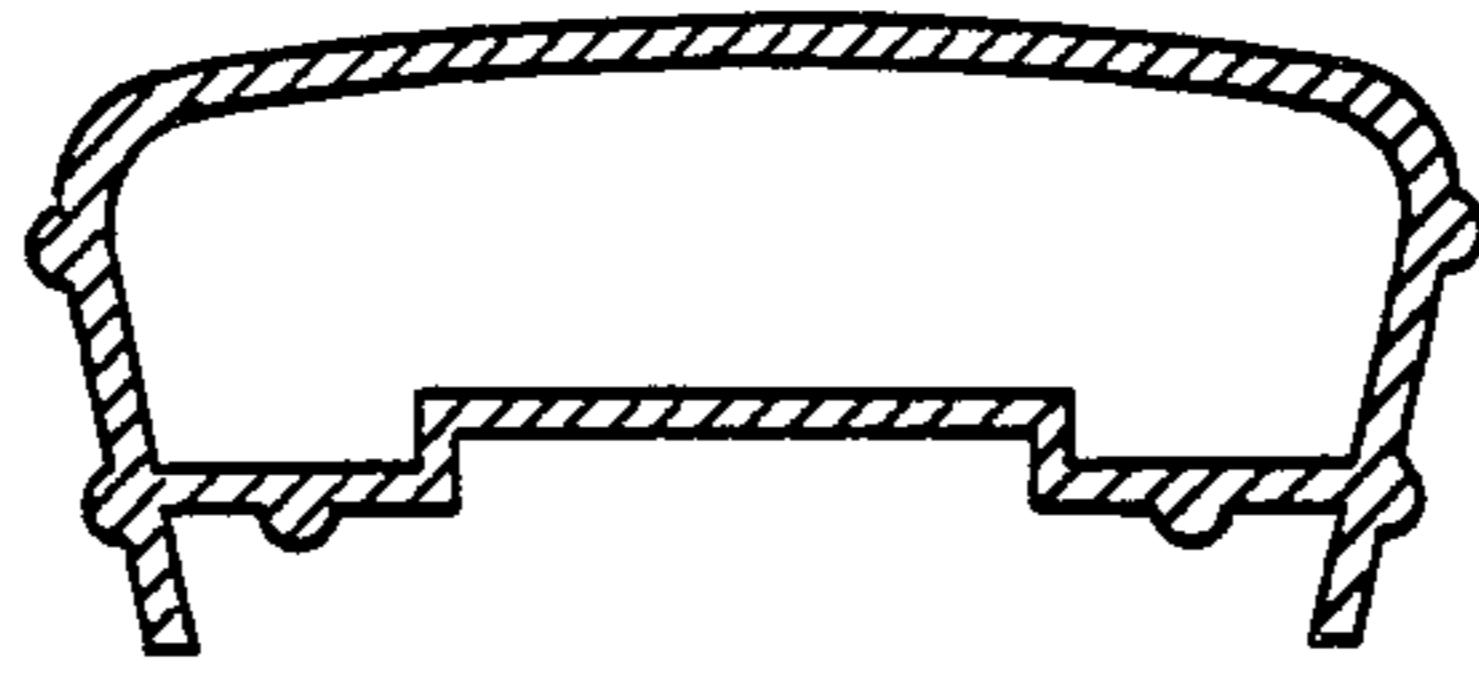


FIG. 1

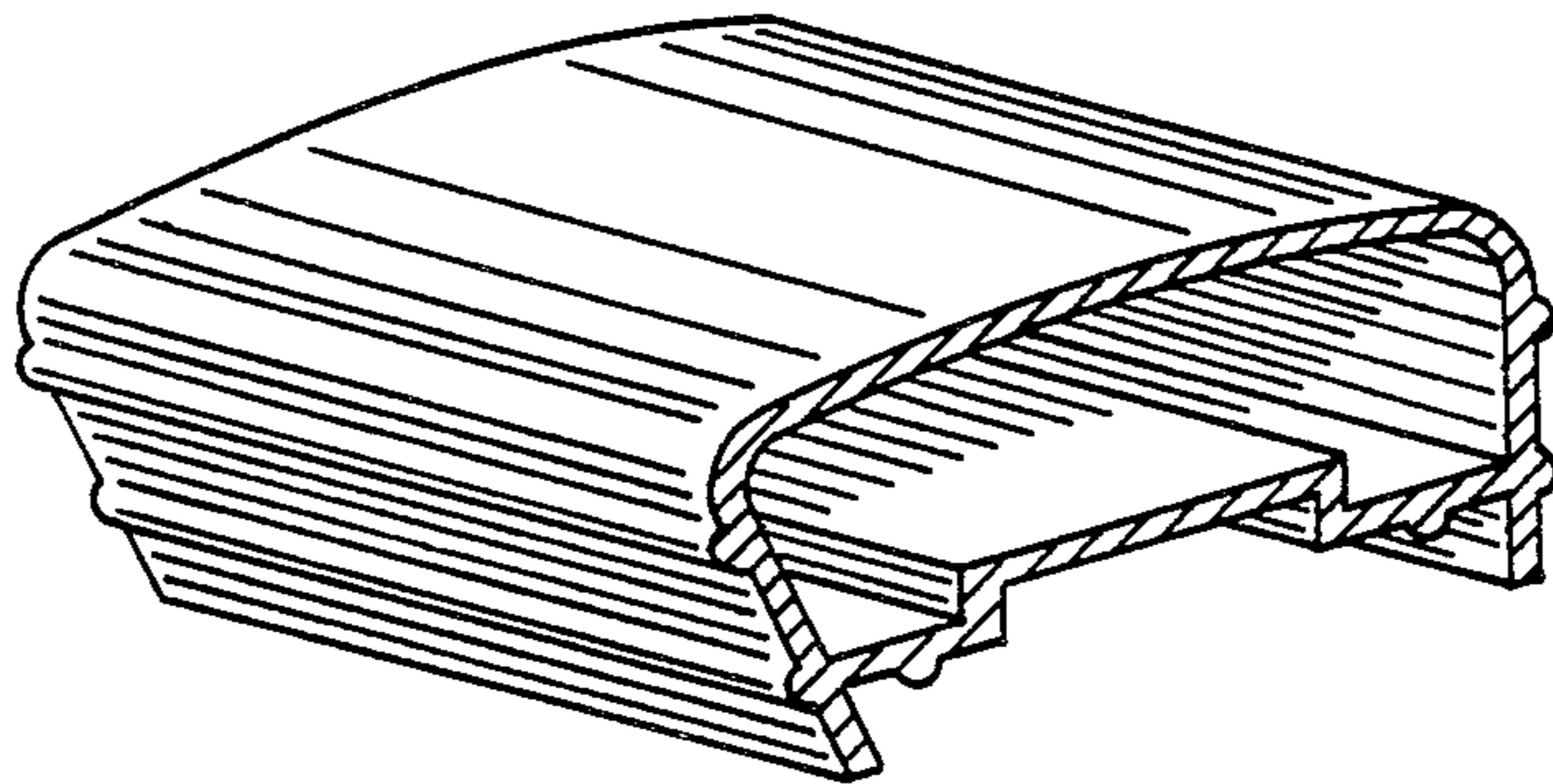


FIG. 2