

[54] UTILITY HEATER

[75] Inventor: Robert E. Hart, Kitchener, Canada

[73] Assignee: Heron Cable Industries Limited,  
Ontario, Canada

[\*\*] Term: 14 Years

[21] Appl. No.: 651,367

[22] Filed: Sep. 17, 1984

[30] Foreign Application Priority Data

Mar. 30, 1984 [CA] Canada ..... 30-03-84-6

[52] U.S. Cl. .... D23/314

[58] Field of Search ..... D23/72, 77, 127;  
219/202, 203, 204, 205, 206, 207, 208, 526, 345,  
535

[56] References Cited

U.S. PATENT DOCUMENTS

2,500,399 3/1950 Broome ..... 219/535  
2,873,343 2/1959 Collopy ..... 219/208 X

3,046,676 7/1962 Hermann et al. .... 273/148 B X  
3,309,500 3/1967 Reynolds ..... 219/345  
3,394,243 7/1968 Lee ..... 219/205  
4,506,138 3/1985 Bennett et al. .... 219/205

FOREIGN PATENT DOCUMENTS

705522 4/1965 Canada .  
830048 12/1969 Canada .

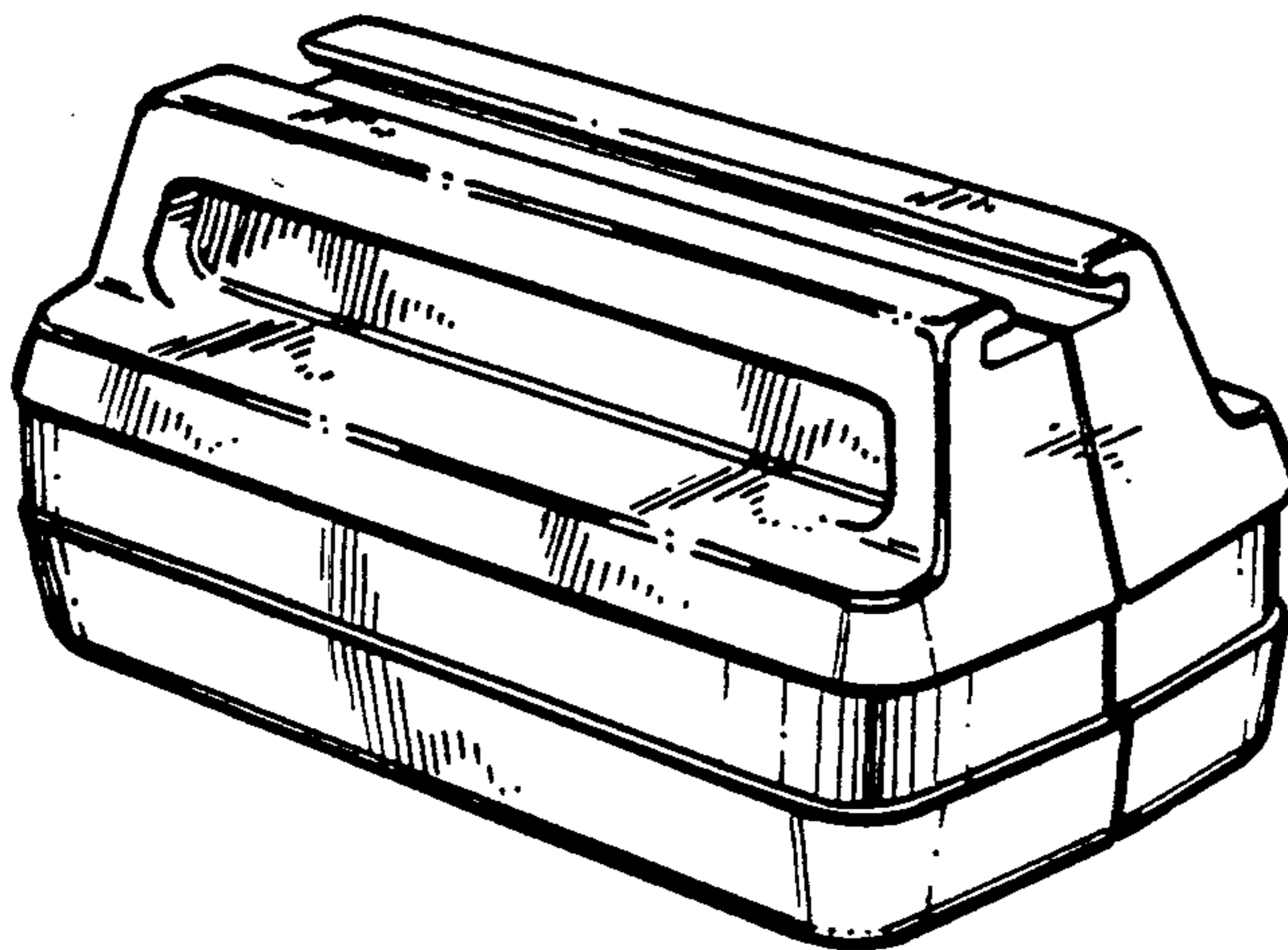
Primary Examiner—Catherine E. Kemper  
Attorney, Agent, or Firm—Beveridge, DeGrandi &  
Weilacher

[57] CLAIM

The ornamental design for a utility heater, as shown.

DESCRIPTION

FIG. 1 is a perspective view of a utility heater, showing  
my new design;  
FIG. 2 is a side elevational view, the opposite side being  
a mirror image thereof;  
FIG. 3 is an end elevational view, the opposite end  
being a mirror image thereof; and  
FIG. 4 is a bottom plan view thereof.



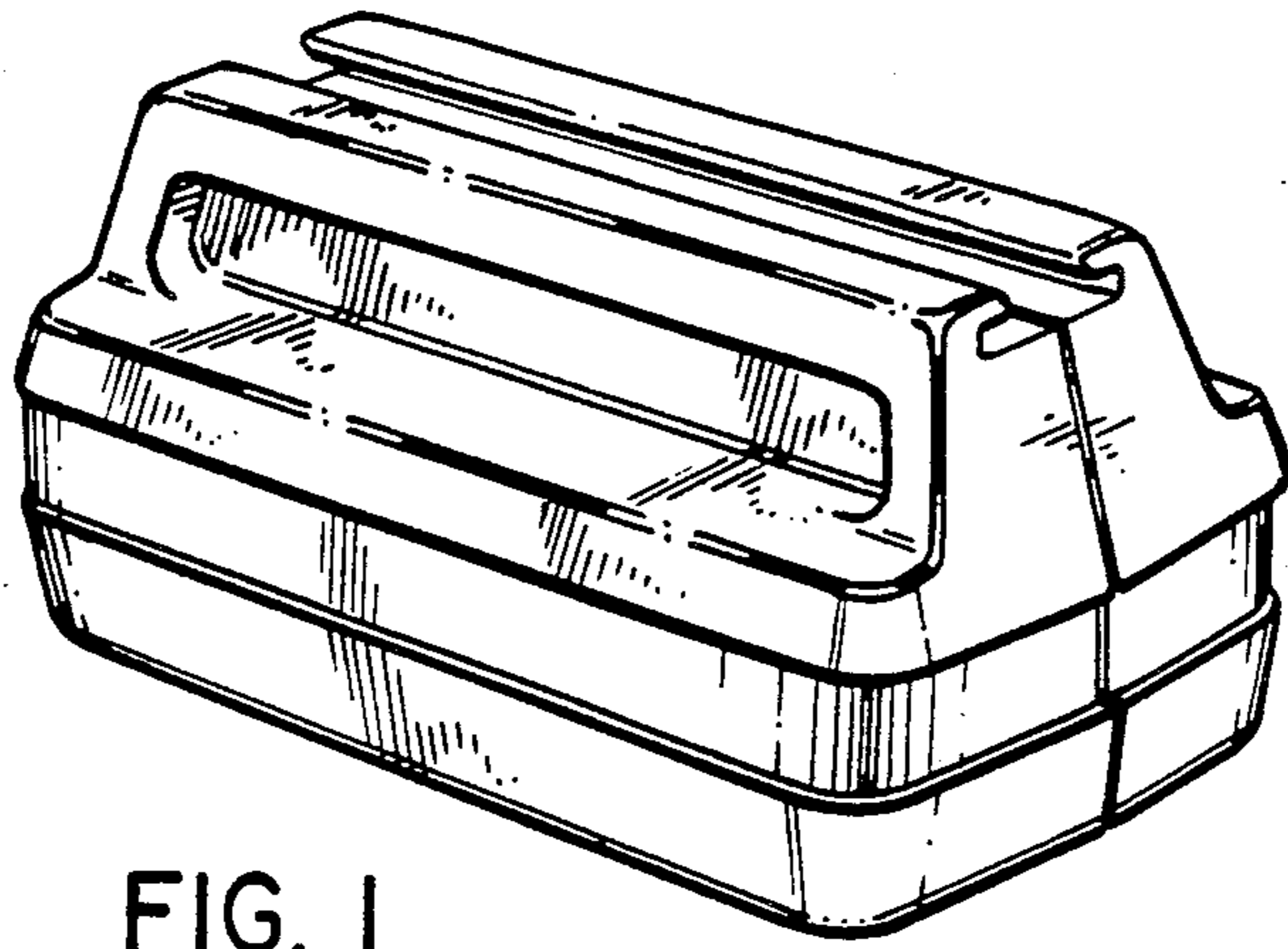


FIG. 1

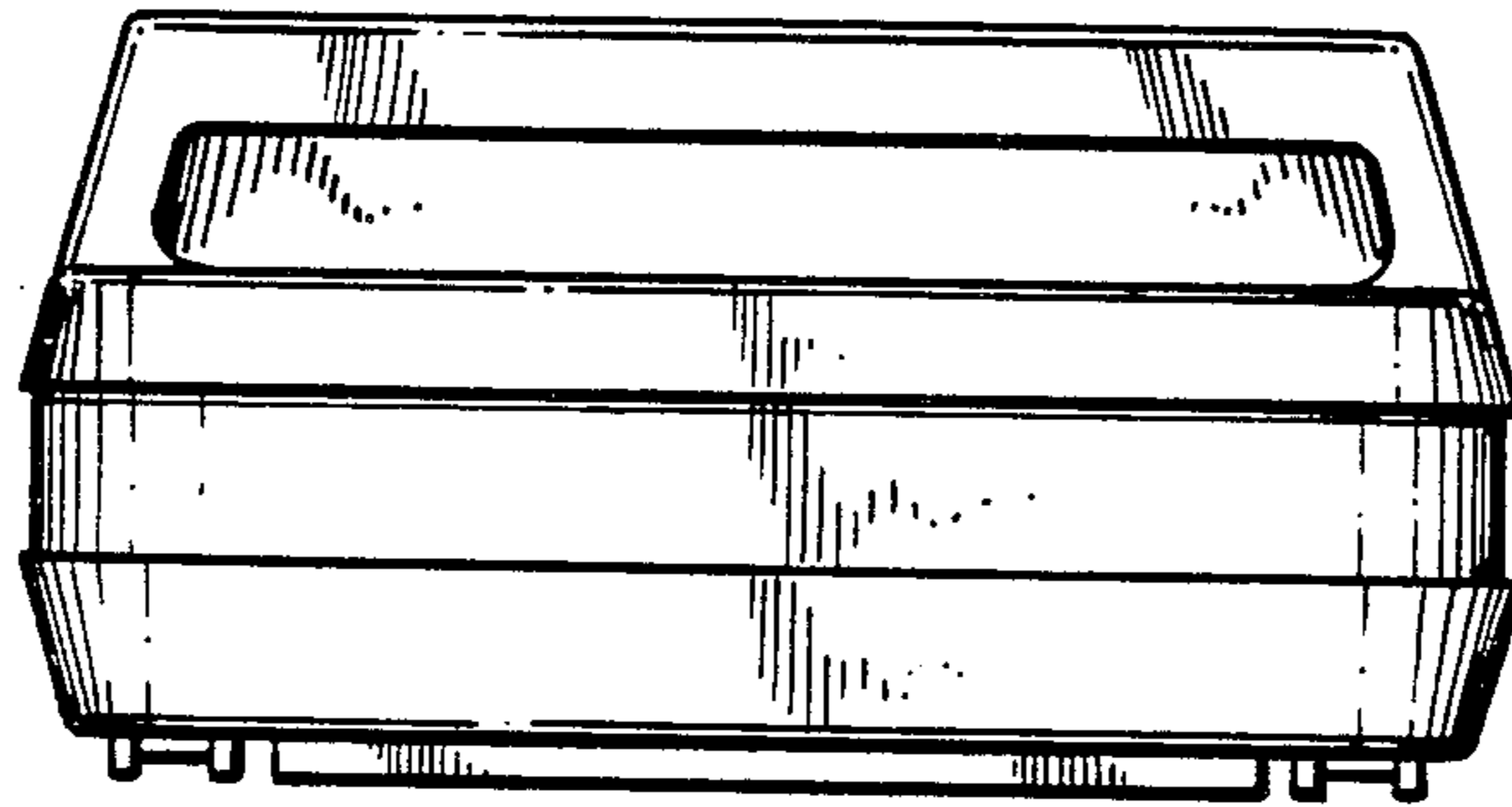


FIG. 2

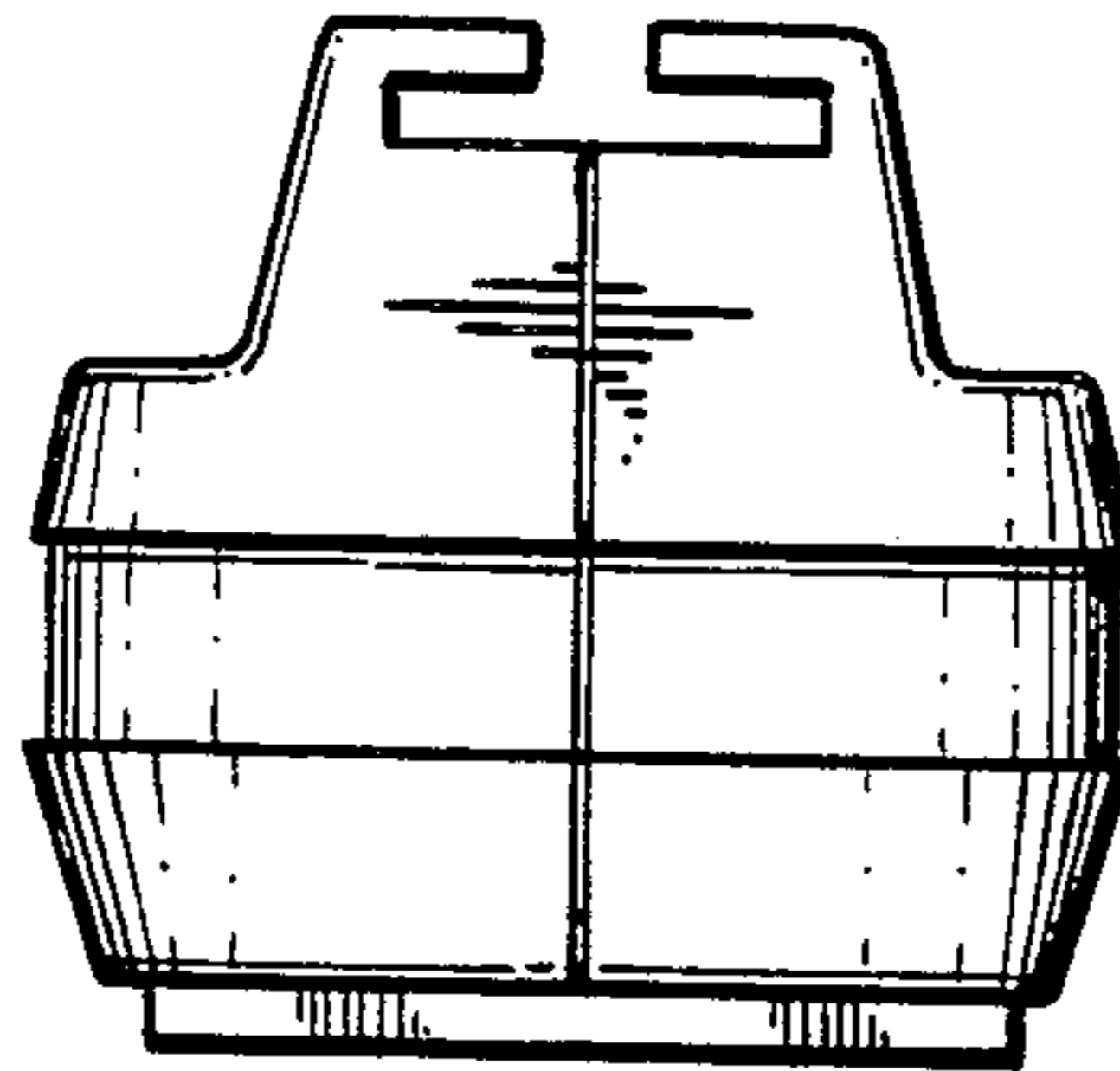


FIG. 3

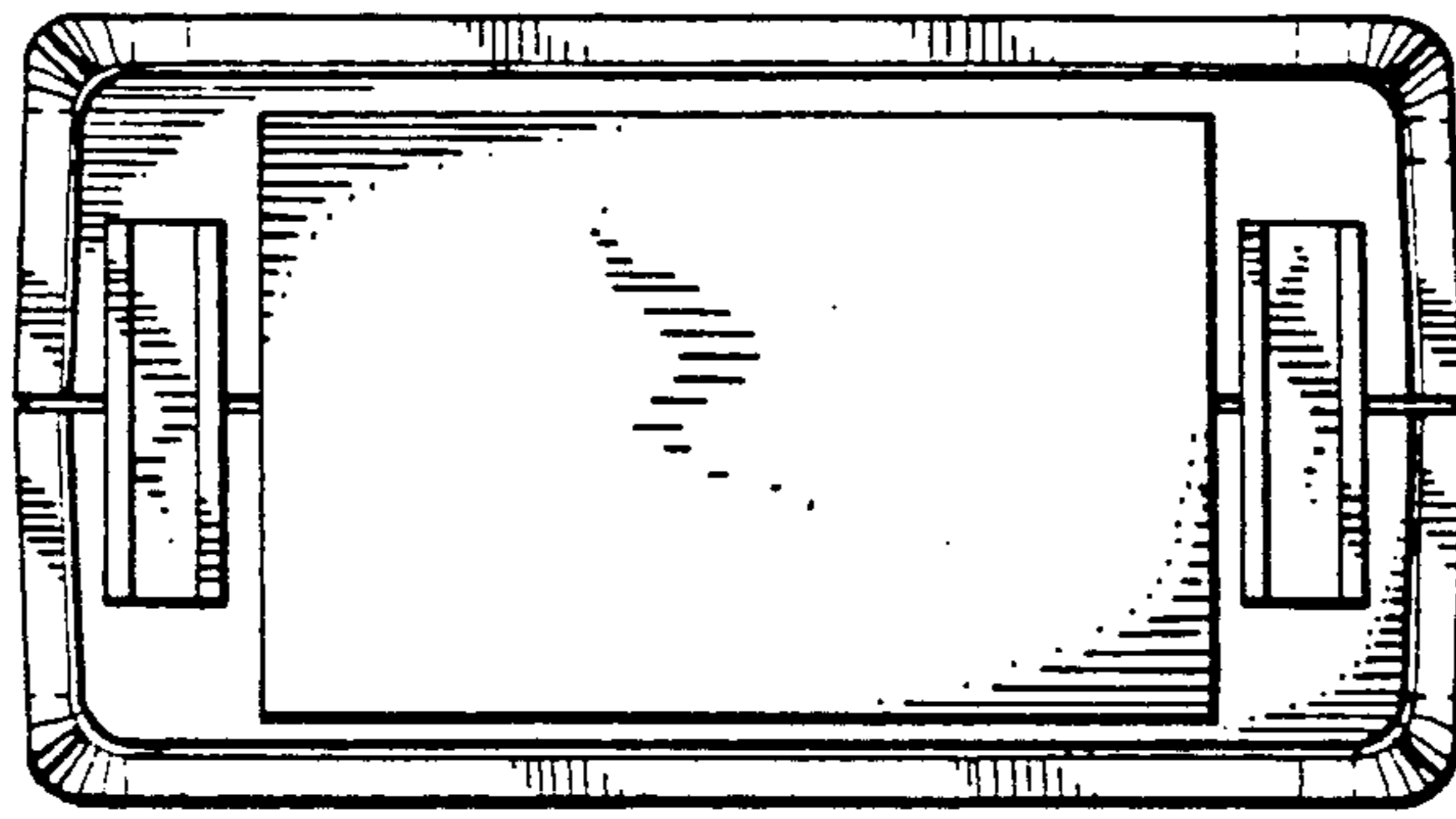


FIG. 4