

United States Patent [19]

Woods

[11] Patent Number: Des. 293,710

[45] Date of Patent: ** Jan. 12, 1988

[54] WELDING OUTLET

[75] Inventor: Glynn E. Woods, Kingwood, Tex.

[73] Assignee: WFI International, Inc., Houston, Tex.

[**] Term: 14 Years

[21] Appl. No.: 703,039

[22] Filed: Feb. 19, 1985

[52] U.S. Cl. D23/265

[58] Field of Search D23/40-47;
285/158, 189, 286

1,780,978	11/1930	Lutzow	285/286
1,901,201	3/1933	Taylor	285/286 X
3,254,909	6/1966	Ver Nooy	285/189
3,894,757	7/1975	Best	285/189
4,179,141	12/1979	Newman	285/189
4,438,955	3/1984	Ryan	285/189

Primary Examiner—James R. Largen
Attorney, Agent, or Firm—Pravel, Gambrell, Hewitt,
Kimball & Krieger

[57] CLAIM

The ornamental design for a welding outlet, as shown.

DESCRIPTION

FIG. 1 is a side elevational view of a welding outlet, showing my new design;

FIG. 2 is another side elevational view taken 90° from the side shown in FIG. 1;

FIG. 3 is a top plan view thereof;

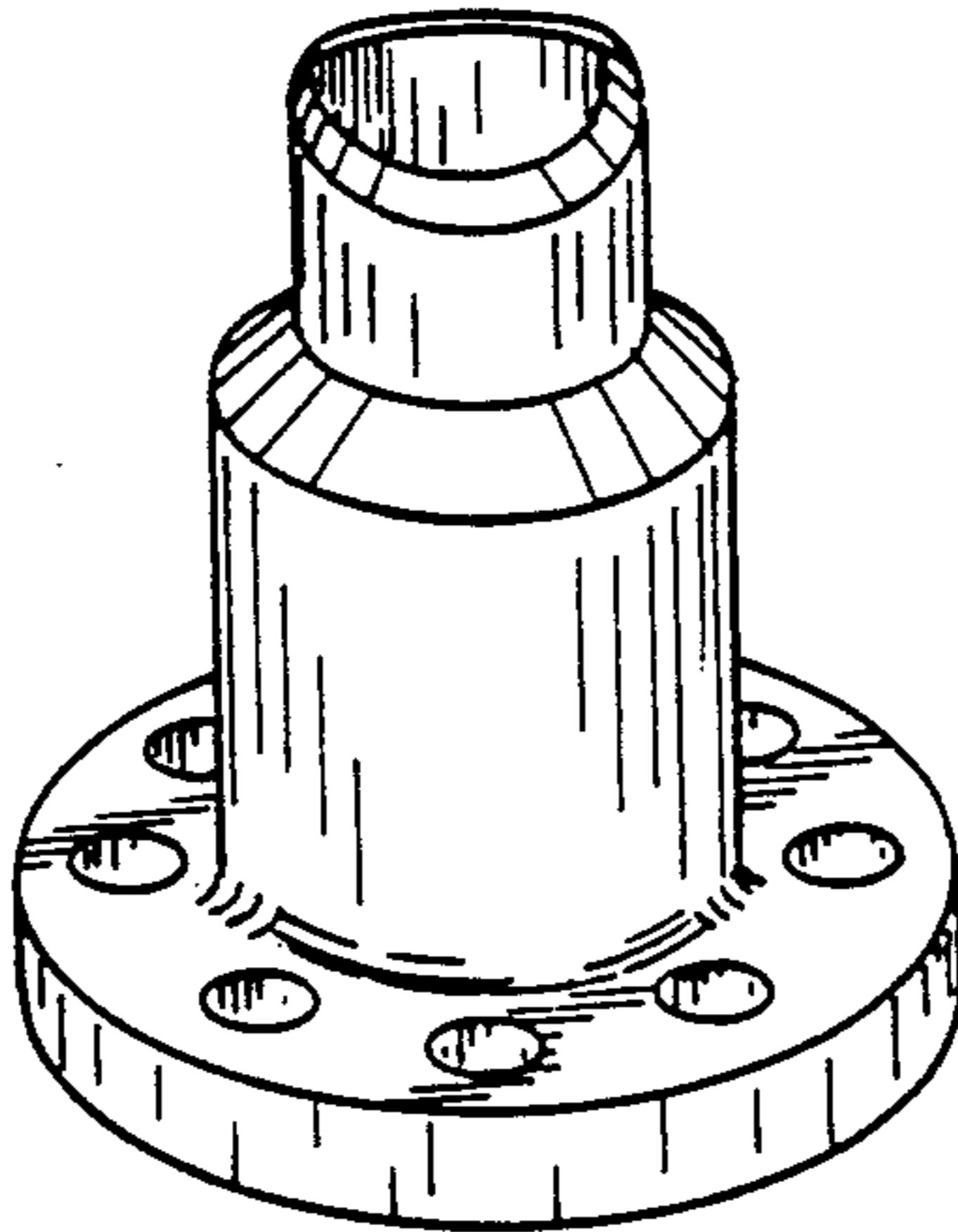
FIG. 4 is an isometric view thereof; and,

FIG. 5 is a bottom plan view thereof.

[56] References Cited

U.S. PATENT DOCUMENTS

D. 243,456	2/1977	Ryan	D23/43
D. 254,266	2/1980	Tableriou	D23/40
D. 282,867	3/1986	Ryan et al.	D23/40
D. 282,961	3/1986	Ryan	D23/40
1,457,183	5/1923	Mitchell	285/189



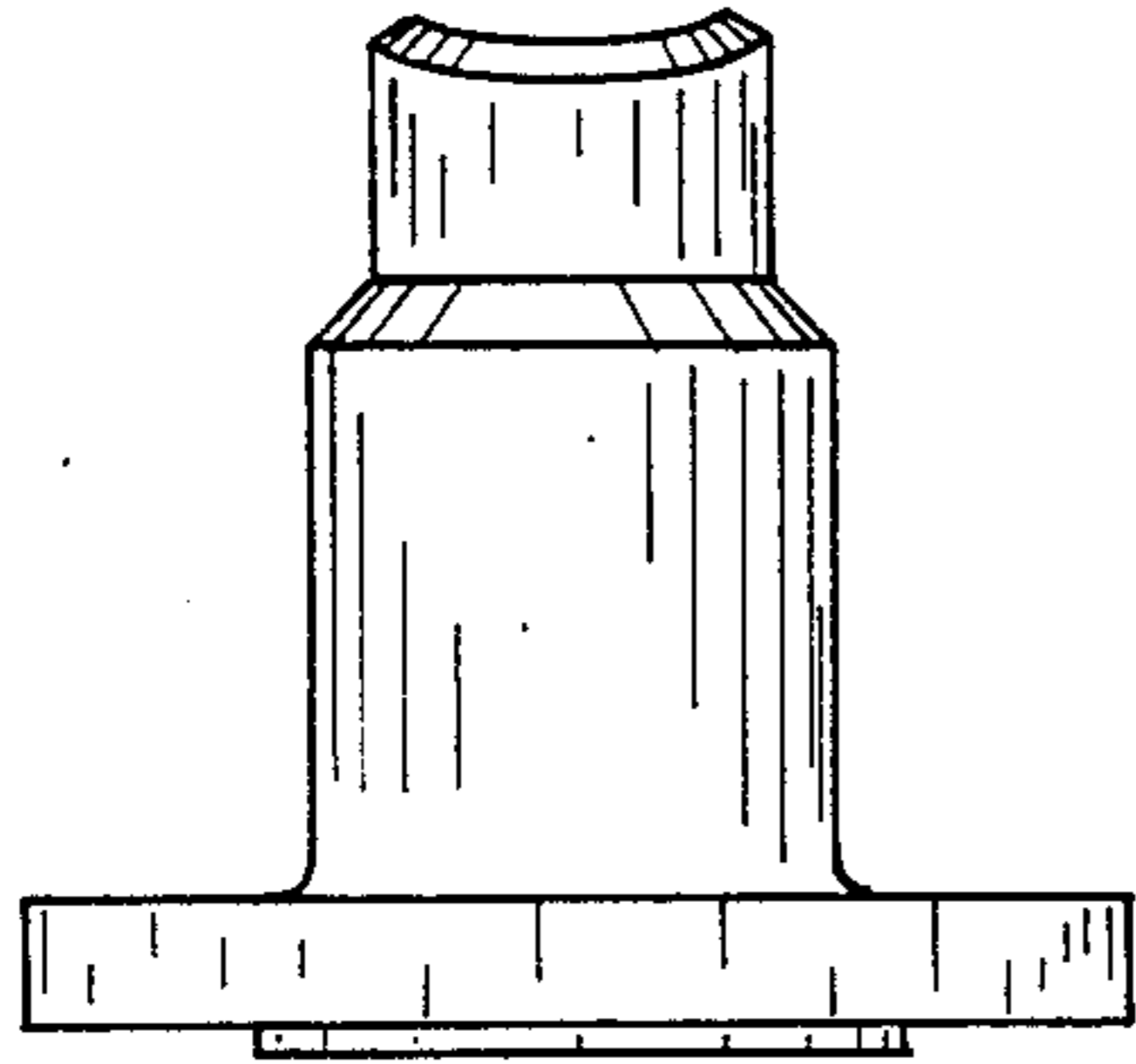


FIG. 1

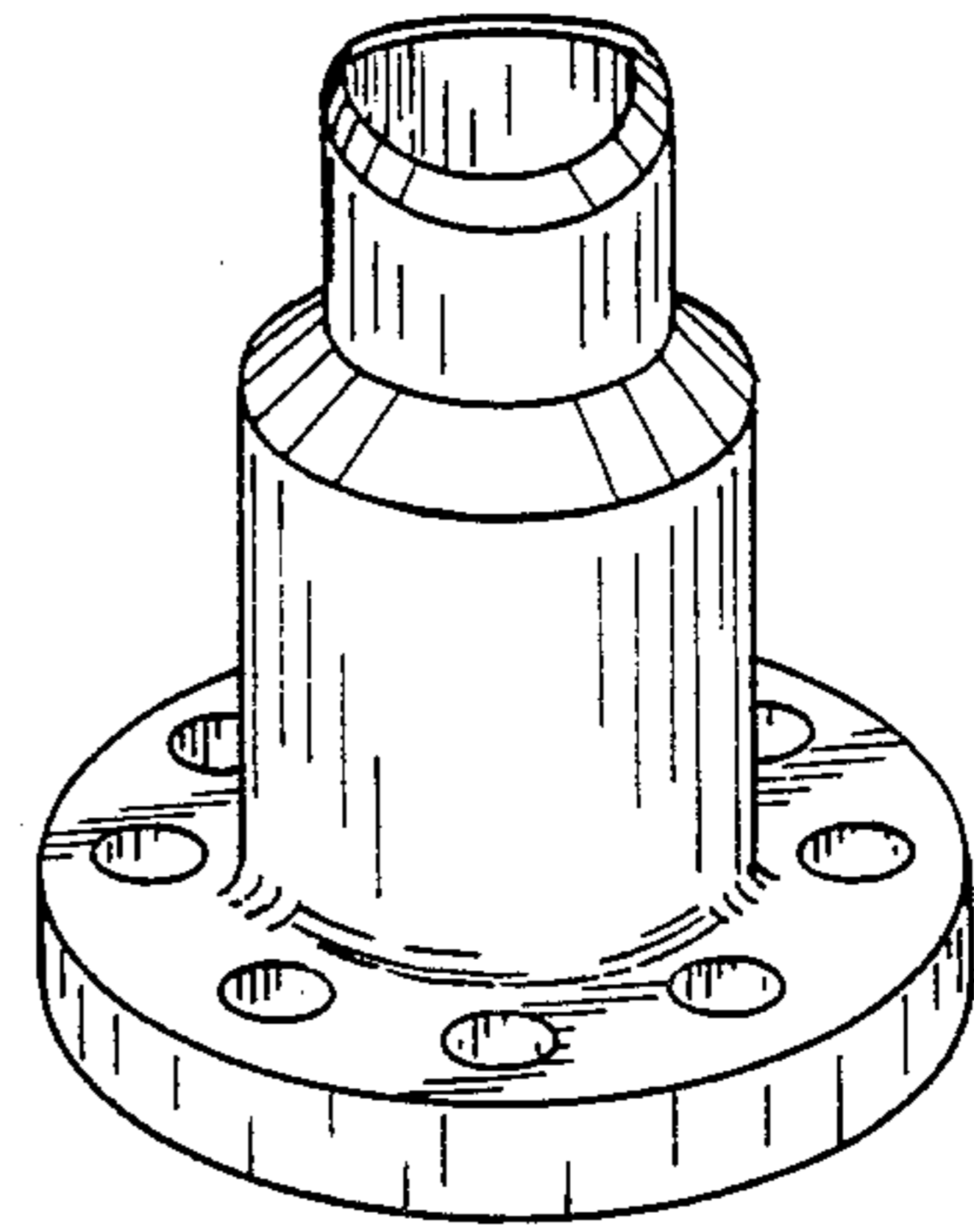


FIG. 4

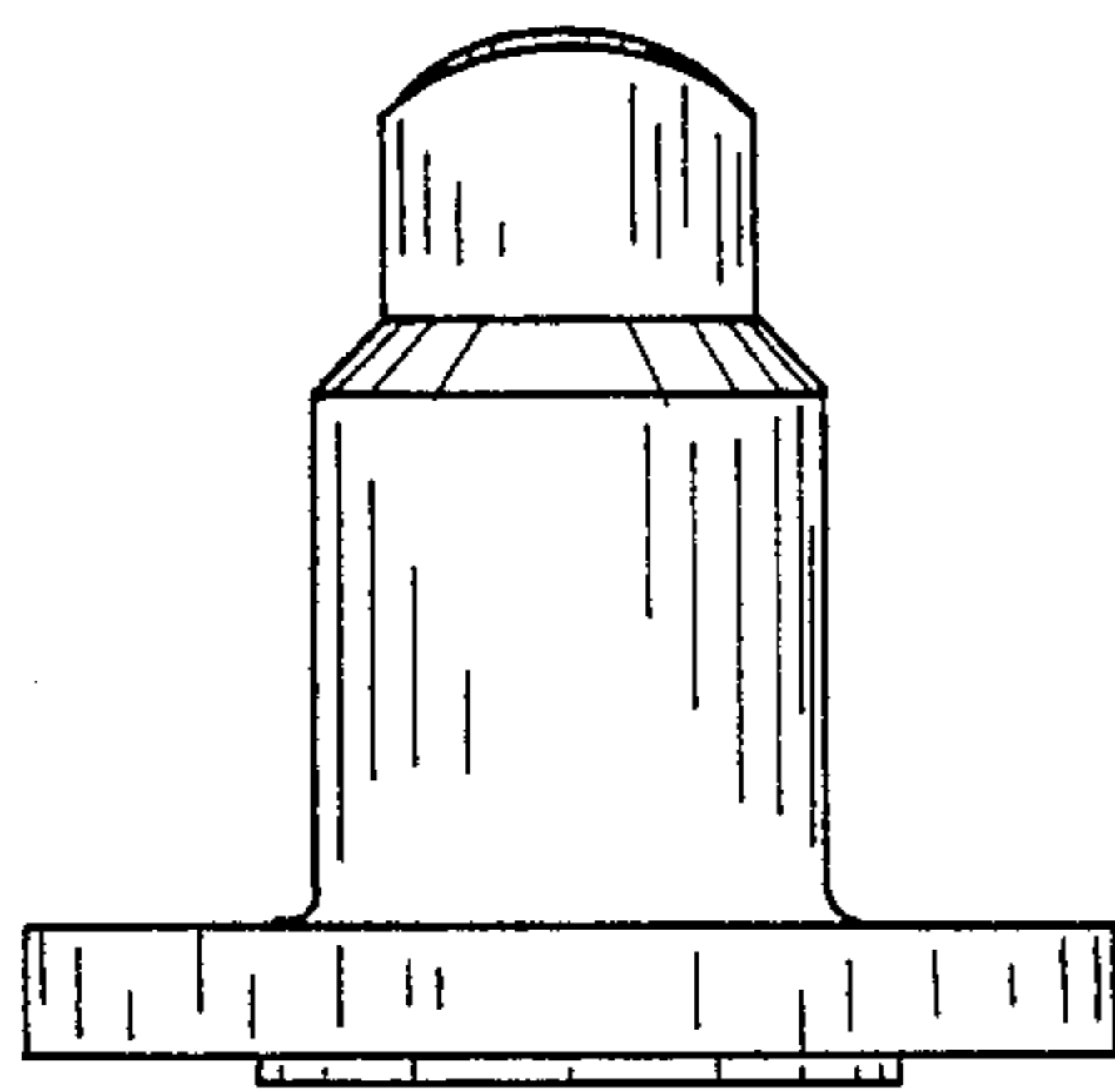


FIG. 2

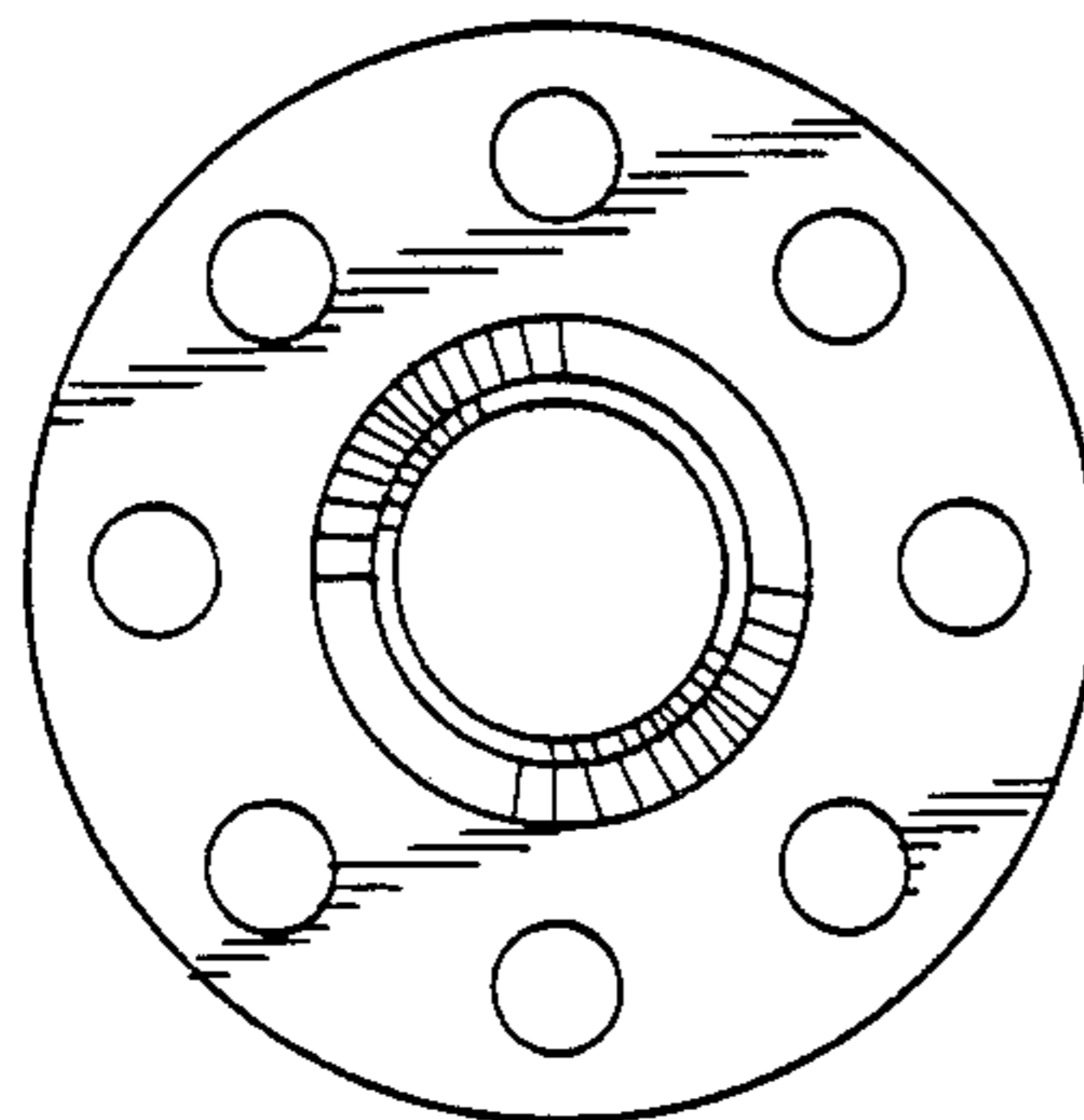


FIG. 3

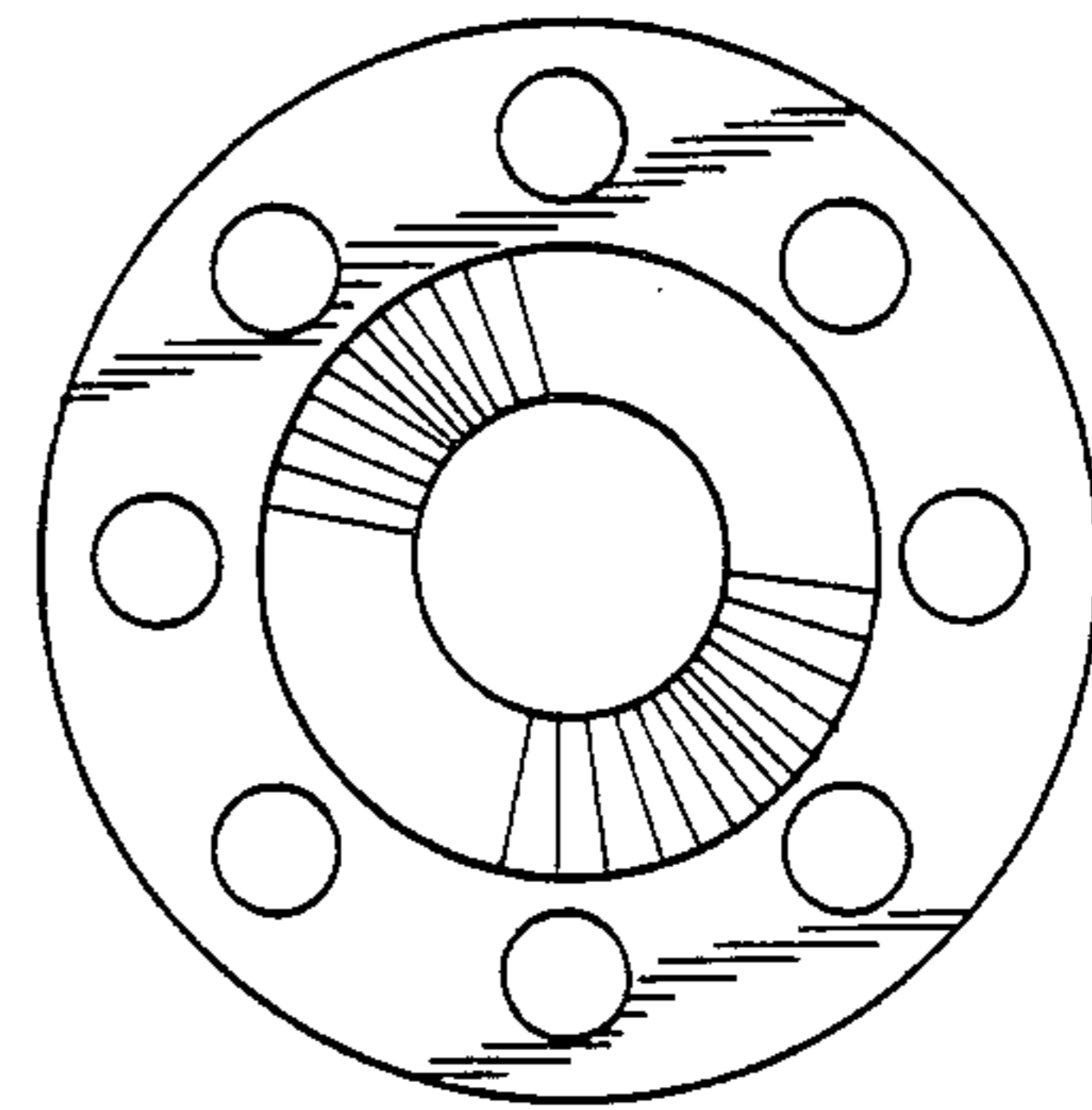


FIG. 5