

[54] COMBINED SWIVEL AERATOR AND CONTROL RING

[76] Inventors: Sidney J. Shames, 57 Holly Pl., Briarcliff Manor, N.Y. 10510; Harold Shames, 5 Agnes Cir., Ardsley, N.Y. 10502

[**] Term: 14 Years

[21] Appl. No.: 757,461

[22] Filed: Jul. 22, 1985

[52] U.S. Cl. D23/230

[58] Field of Search D23/34-39; 239/288.3, 288.5, 428.5, 587

[56] References Cited

U.S. PATENT DOCUMENTS

- D. 33,171 9/1900 Dewar D23/34
- D. 191,691 10/1961 Shames D23/35

- D. 191,975 12/1961 Lehman D23/35
- D. 231,612 5/1974 Doman D23/35
- 3,358,934 12/1967 Moen 239/443
- 3,706,418 12/1972 Hyde 239/428.5
- 3,884,418 5/1975 Ritzenthaler 239/428.5
- 3,902,671 9/1975 Symmons 239/428.5
- 4,221,337 9/1980 Shames et al. 239/428.5
- 4,221,338 9/1980 Shames et al. 239/428.5
- 4,273,289 6/1981 Jette 239/587 X

Primary Examiner—James R. Lergen
Attorney, Agent, or Firm—Norman Lettvin

[57] CLAIM

The ornamental design for a combined swivel aerator and control ring, as shown and described.

DESCRIPTION

FIG. 1 is a top plan view of a combined swivel aerator and control ring, showing our new design; FIG. 2 is a side elevational view thereof; and FIG. 3 is a bottom plan view thereof.

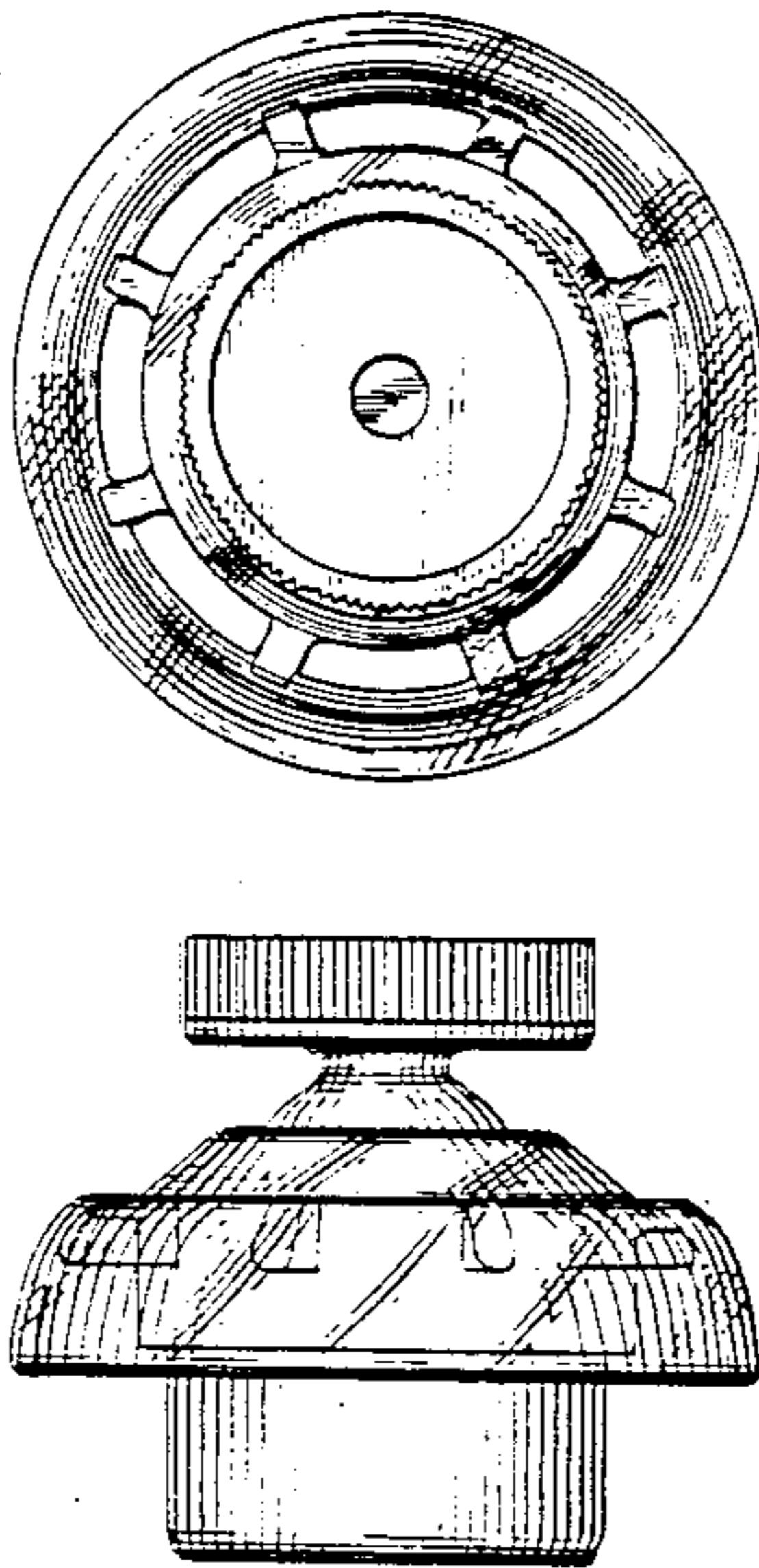


FIG. 1

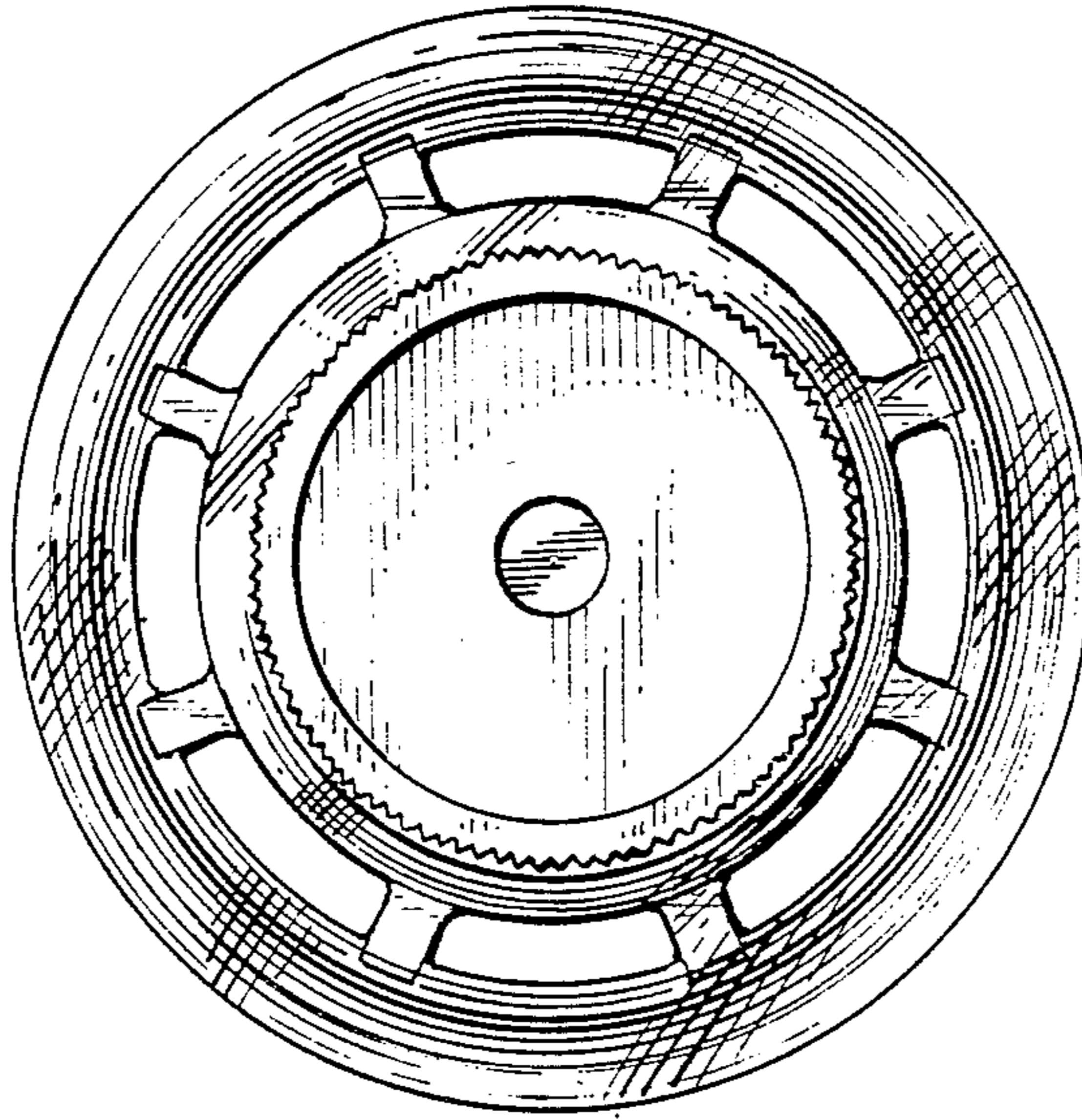


FIG. 2

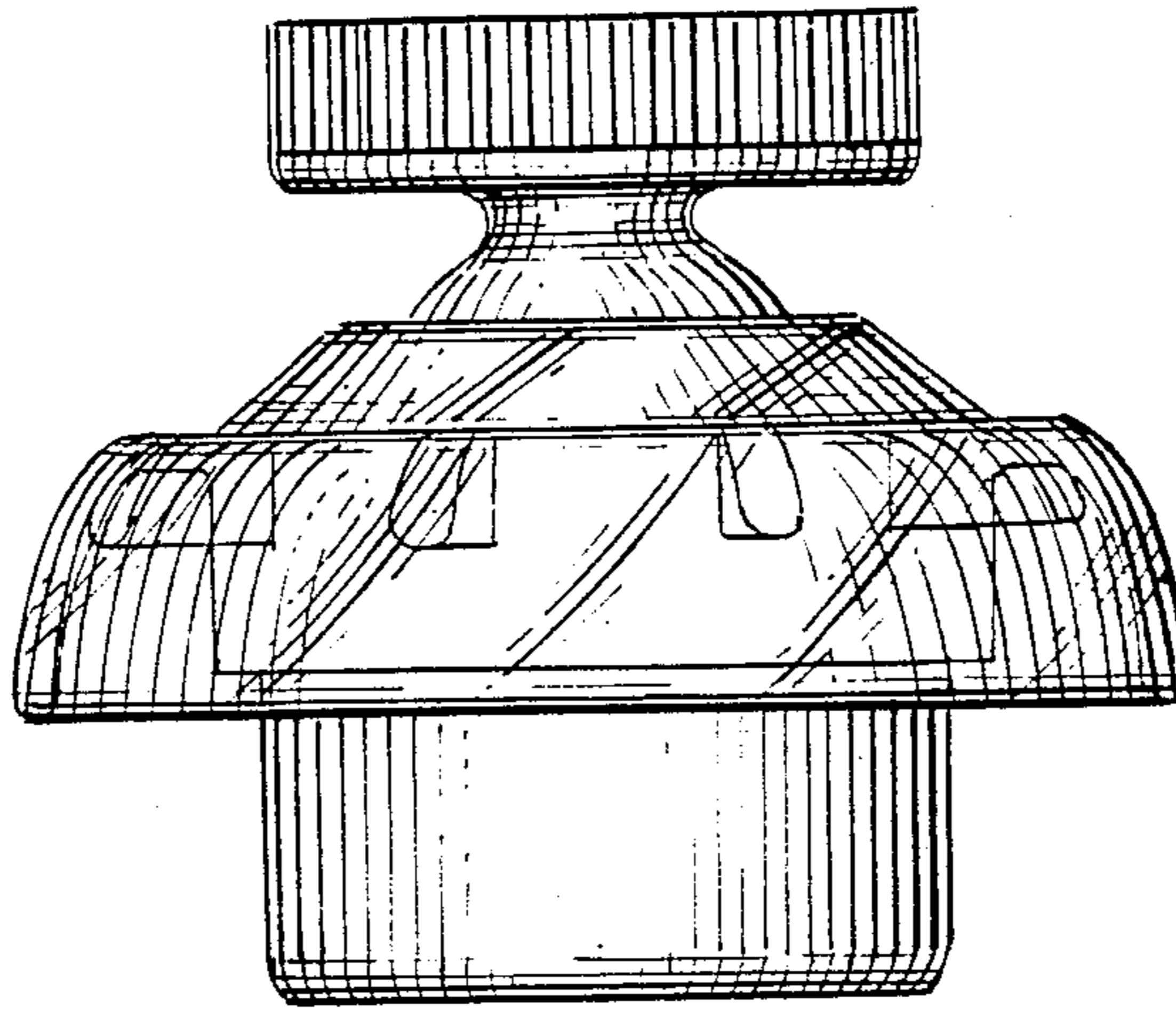


FIG. 3

