

- [54] **VEHICLE-MOUNTED SPRAYER TANK**
- [75] Inventors: **John F. Hart**, Palmerston North;  
**John B. Love**, Linton, both of New Zealand
- [73] Assignee: **C-Dax Systems Limited**, Palmerston North, New Zealand
- [\*\*] Term: **14 Years**
- [21] Appl. No.: **811,709**
- [22] Filed: **Dec. 18, 1985**
- [52] U.S. Cl. .... **D23/202**
- [58] Field of Search ..... **D23/1, 2, 18; 220/1 R, 220/1 B, 1 S, 1 V, 5 R, 5 A, 20, 72, DIGS. 12-14; 215/1 R, 1 C; 280/5 H; D9/1, 6, 99; D12/155; D15/10, 13**

D. 251,674	4/1979	Sayward .....	D23/2
D. 258,501	3/1981	Winslow .....	D12/155
D. 282,921	3/1986	Eureka et al. ....	D12/155
2,794,569	6/1957	McCuen .....	280/5 H
3,311,183	3/1967	Phillips .....	280/5 H

*Primary Examiner*—Wallace R. Burke  
*Assistant Examiner*—Brian N. Vinson  
*Attorney, Agent, or Firm*—Holman & Stern

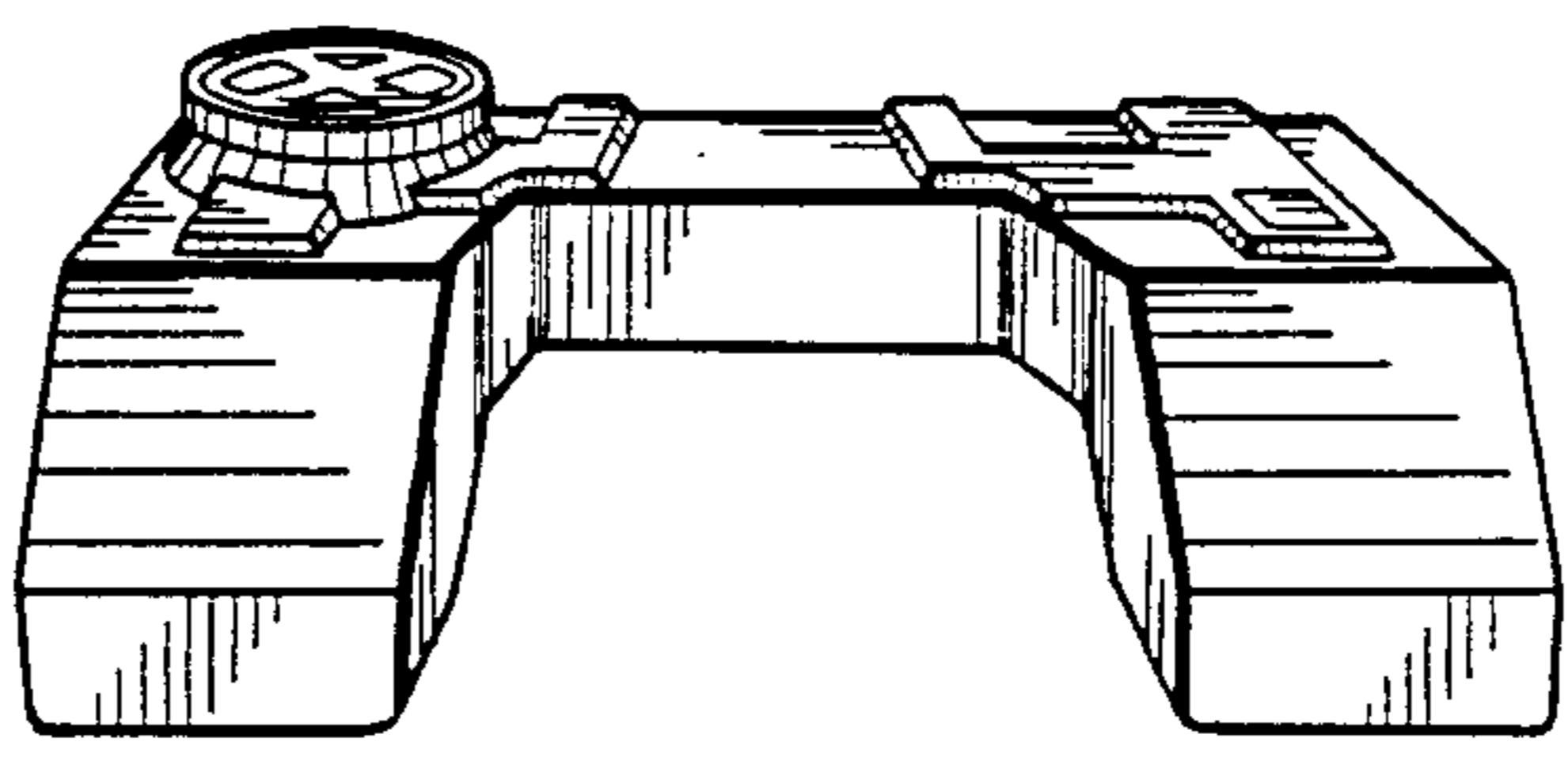
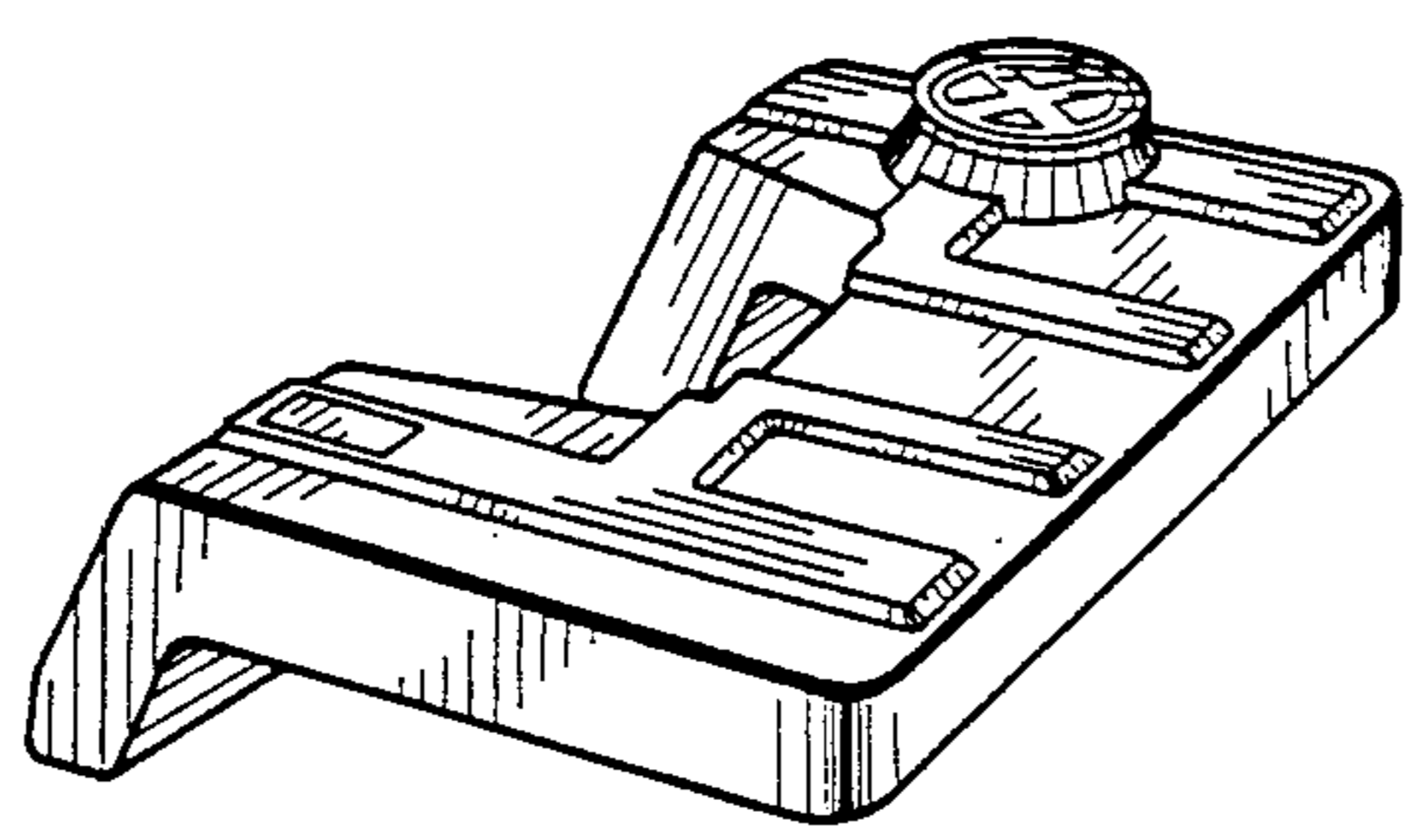
[57] **CLAIM**

The ornamental design for a vehicle-mounted sprayer tank, as shown and described.

**DESCRIPTION**

FIG. 1 is a top, front and left side perspective view of a vehicle-mounted sprayer tank showing our new design; FIG. 2 is a top and rear perspective view thereof; FIG. 3 is a top plan view thereof; FIG. 4 is a left side view thereof; FIG. 5 is a front elevational view thereof; FIG. 6 is a right side elevational view thereof; FIG. 7 is a partial horizontal sectional view thereof, taken along line B—B of FIG. 3; FIG. 8 is a partial horizontal sectional view thereof, taken along line A—A of FIG. 3; and, FIG. 9 is a bottom plan view thereof.

- [56] **References Cited**
- U.S. PATENT DOCUMENTS**
- D. 58,172 9/1963 Washington ..... D23/2
- D. 196,272 5/1965 Gran ..... D23/2
- D. 201,053 10/1965 Albinson ..... D23/2
- D. 202,660 10/1965 Northbrook, III ..... D9/370
- D. 229,612 12/1973 German ..... D9/370 X



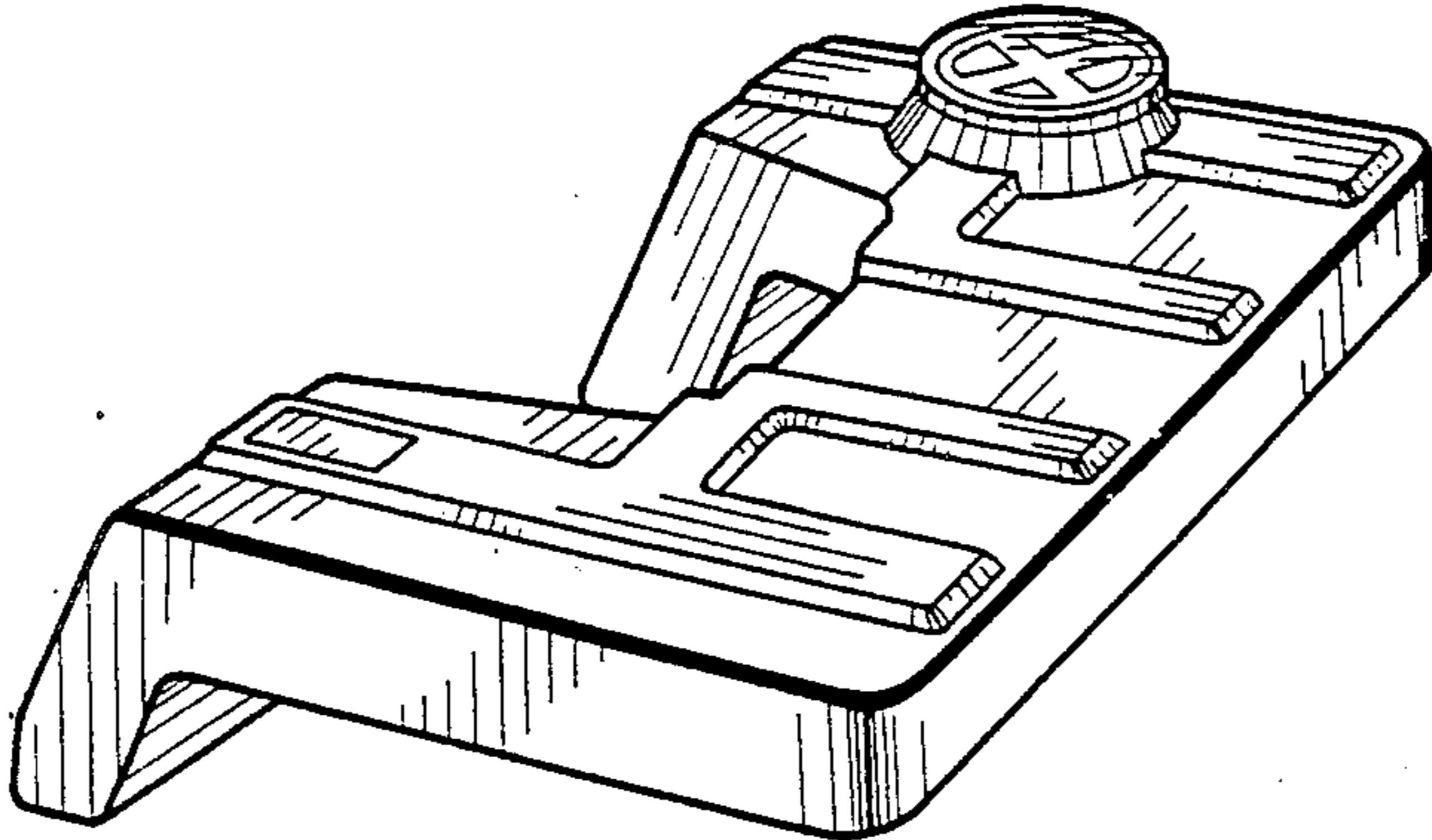


FIG. 1

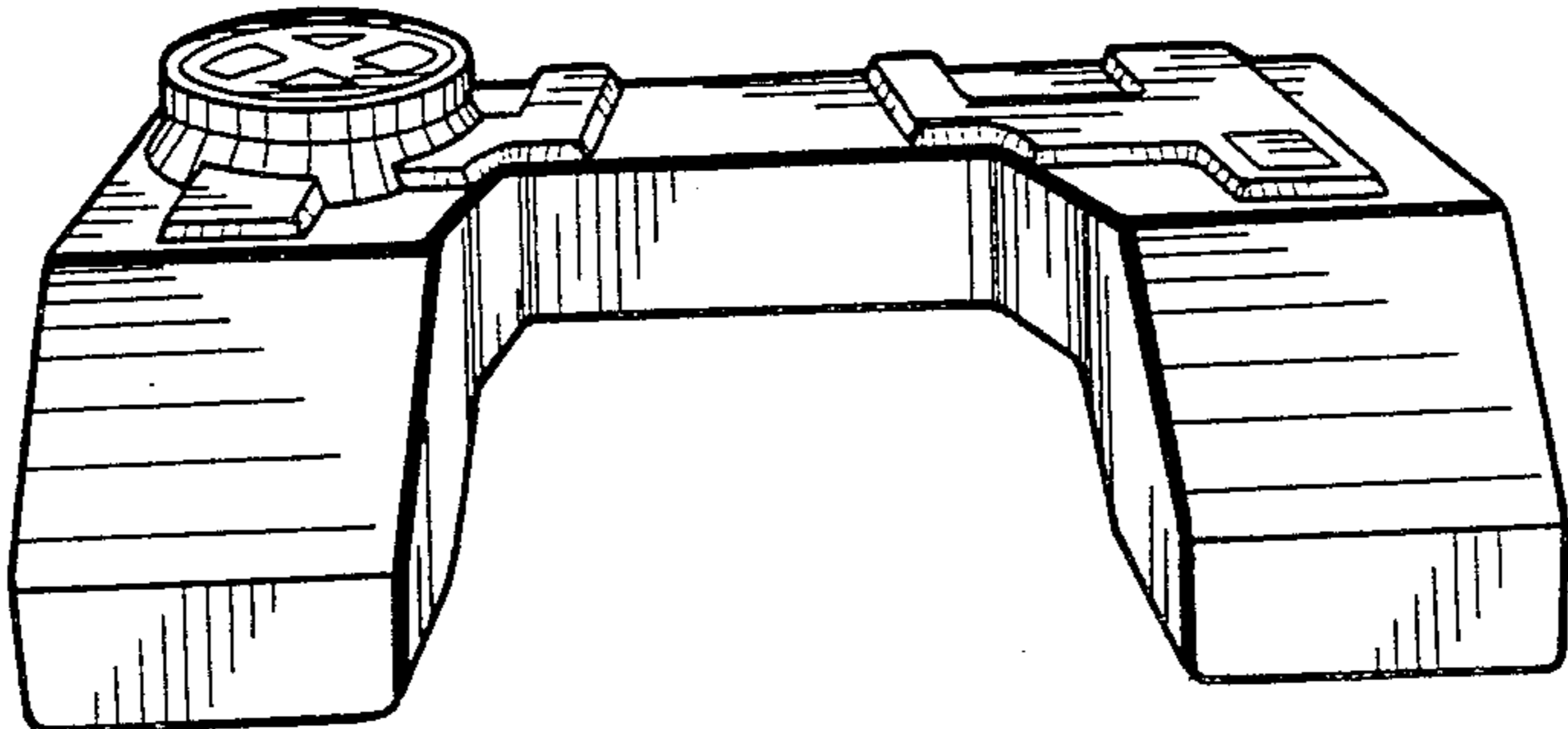


FIG. 2

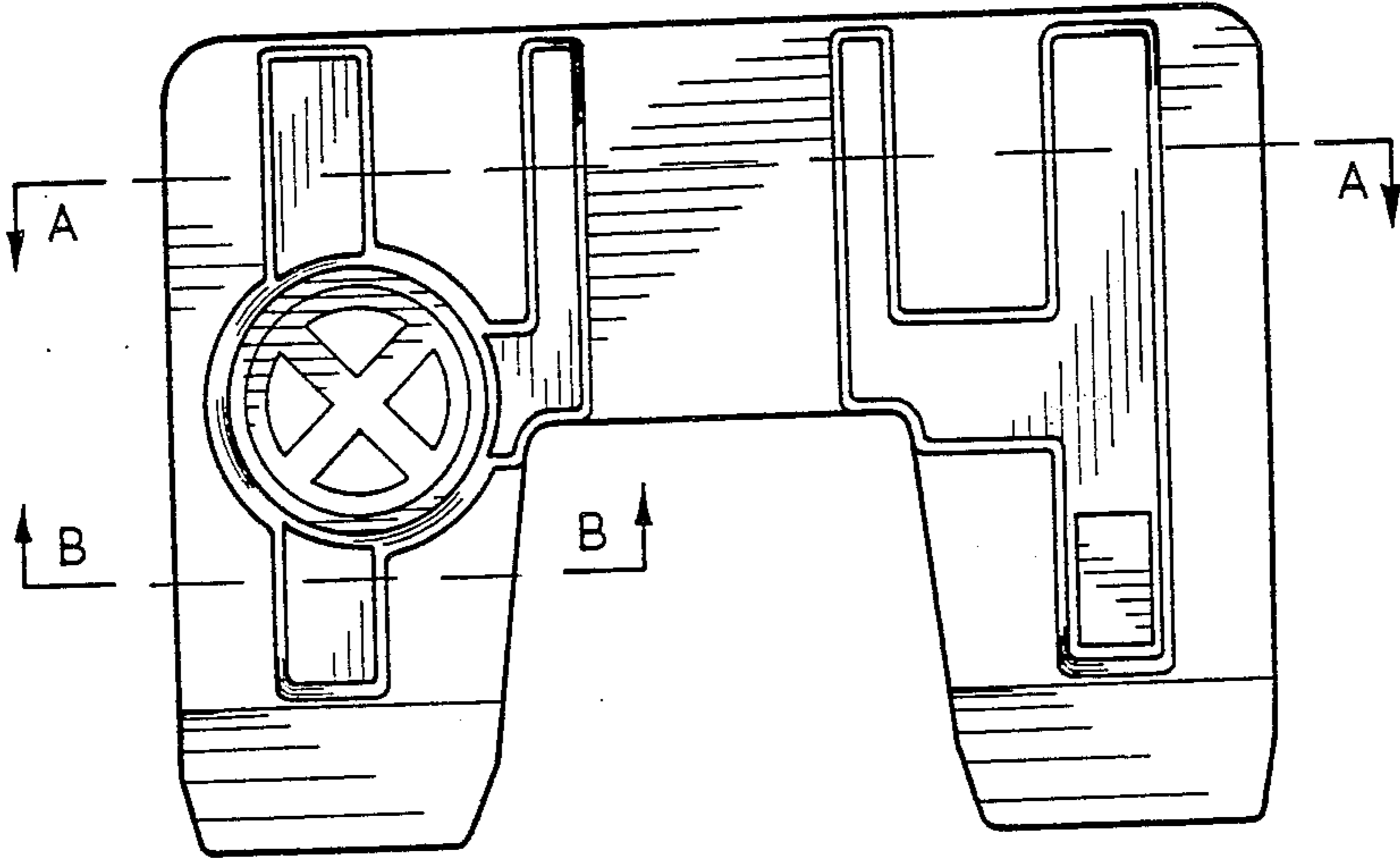


FIG. 3

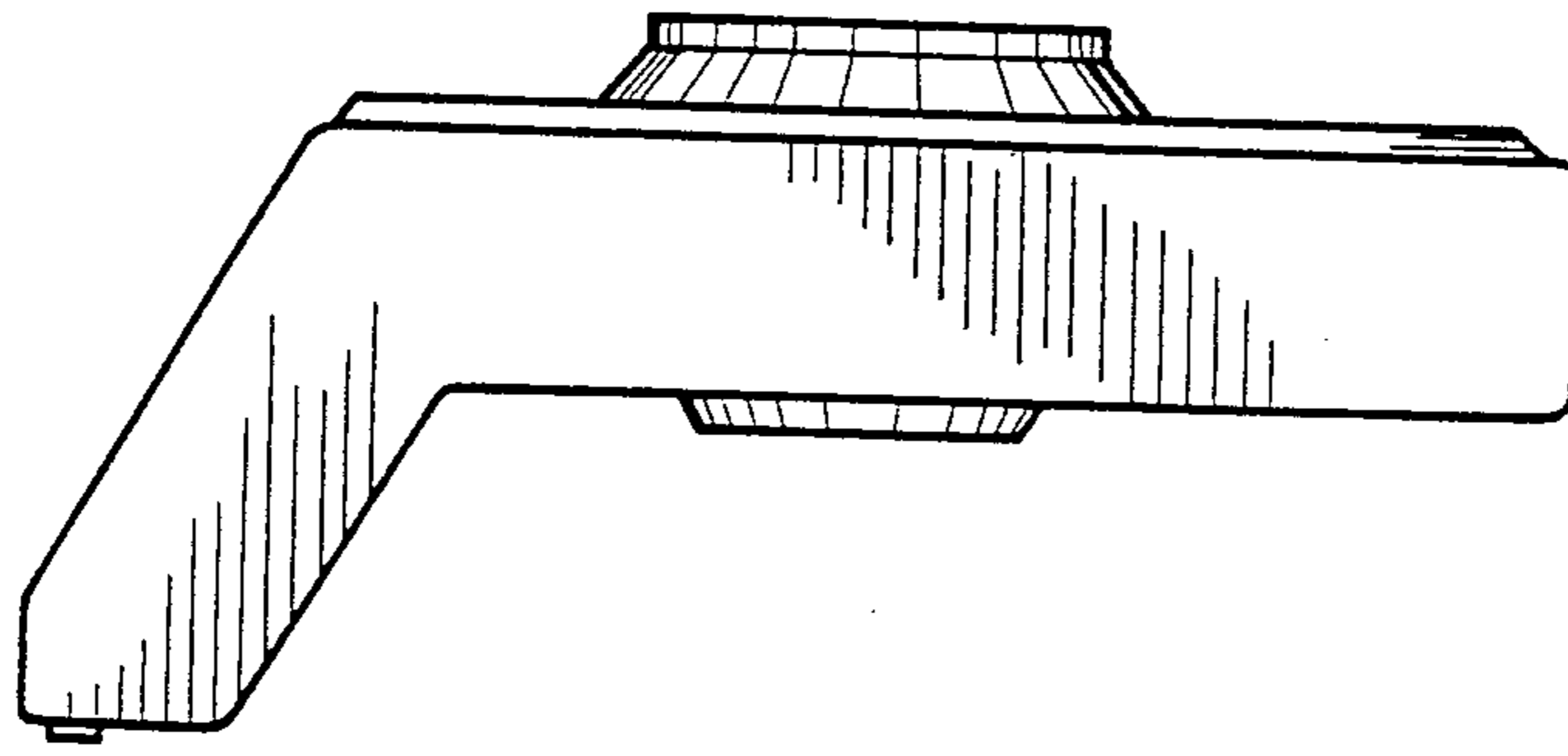


FIG. 4

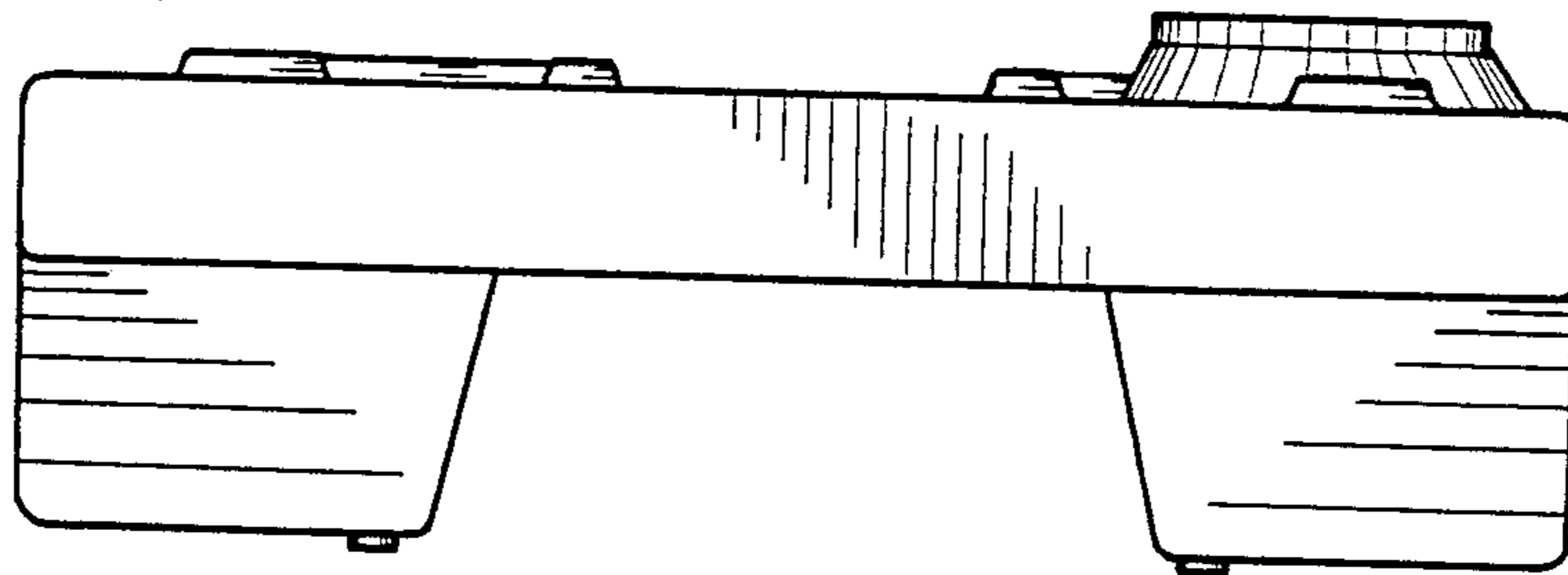


FIG. 5

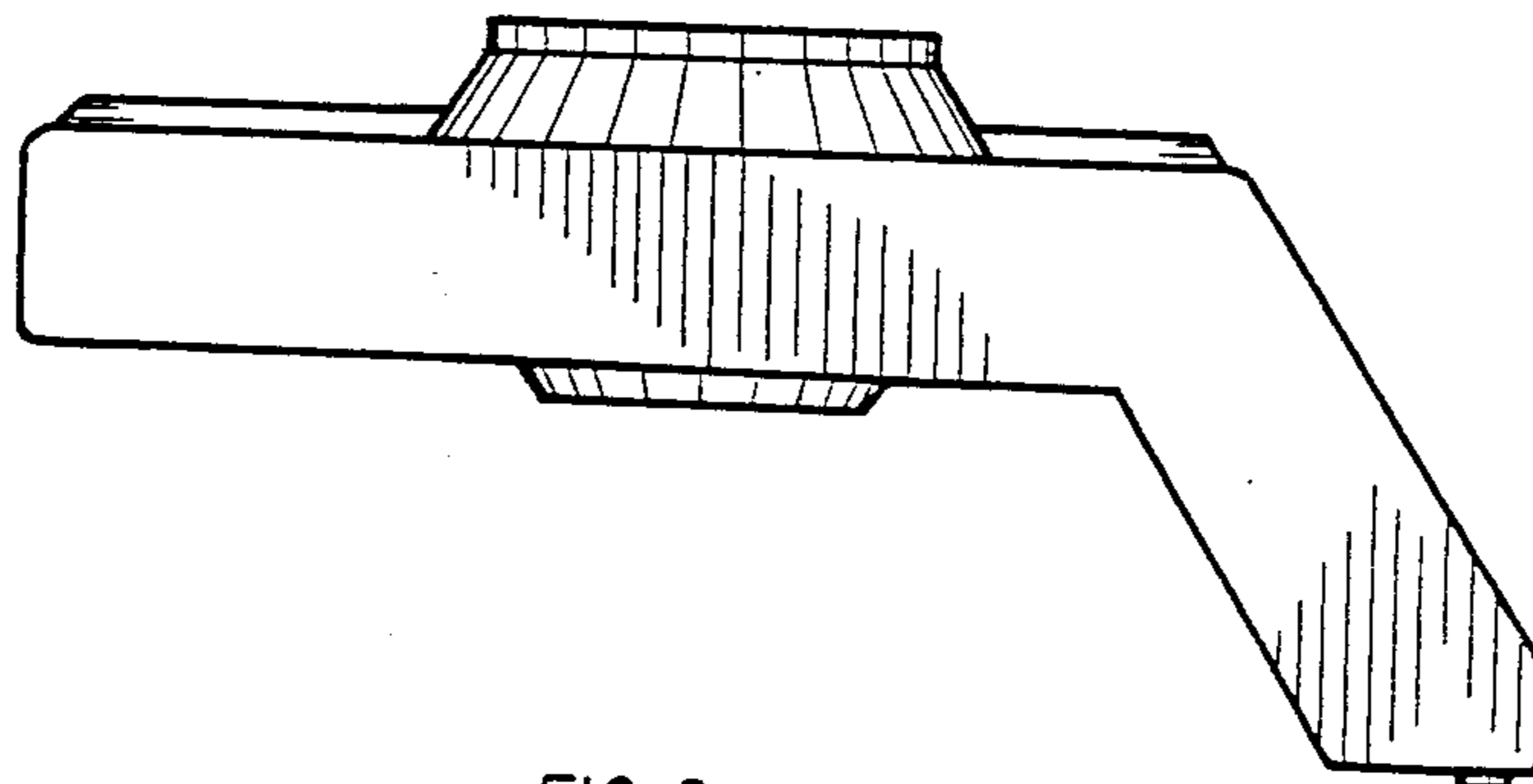


FIG. 6

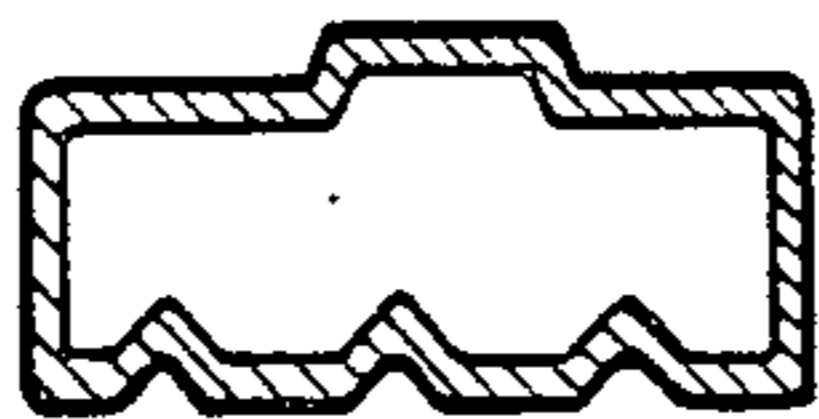


FIG. 7

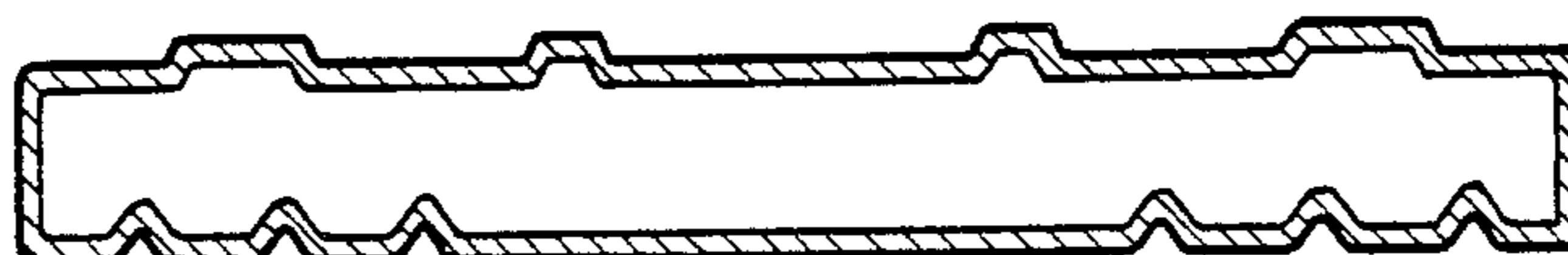


FIG. 8

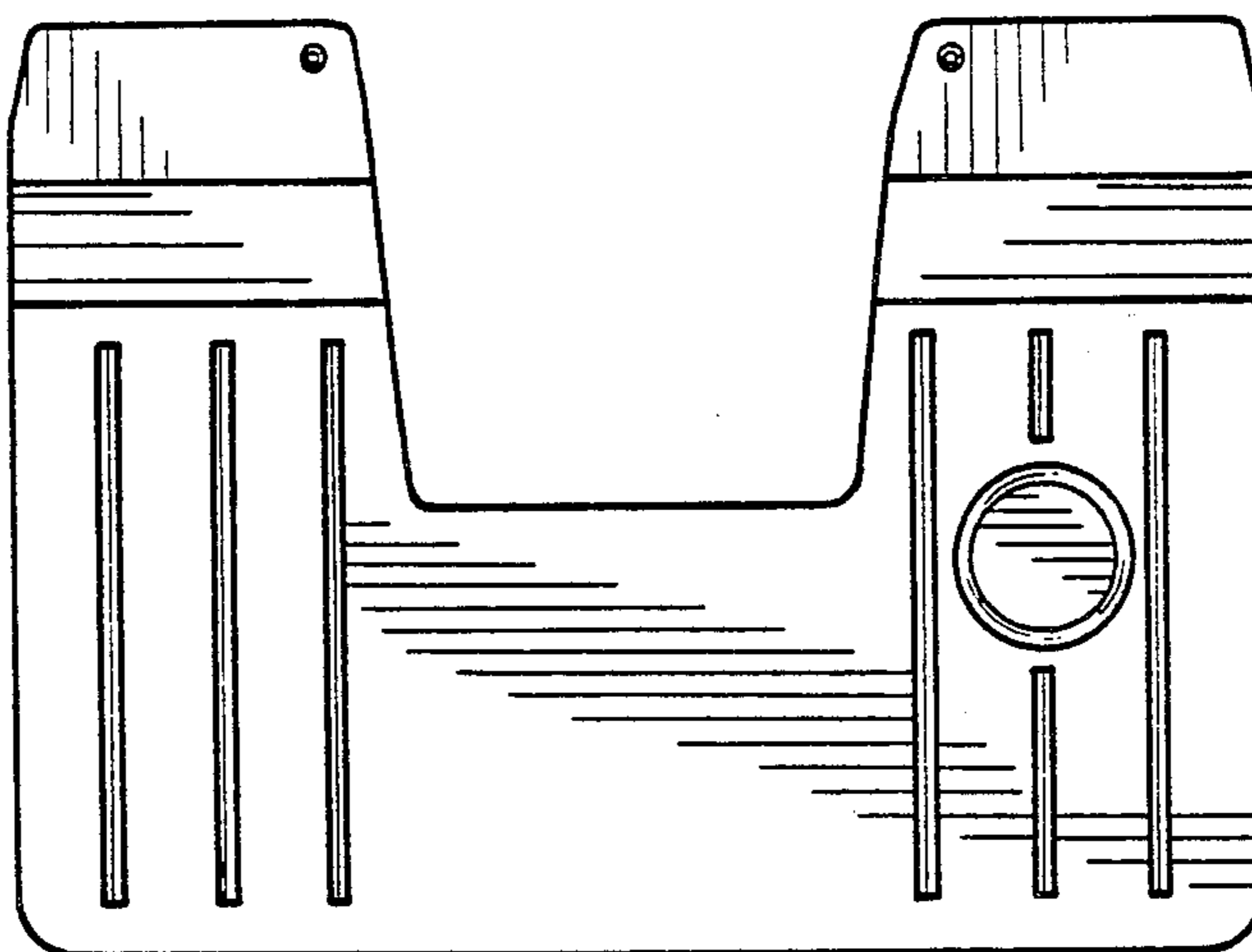


FIG. 9