

[54] FISHING REEL

[75] Inventors: Masakazu Sakamoto; Teruhisa Numata, both of Tokyo, Japan

[73] Assignee: Ryobi Limited, Hiroshima, Japan

[\*\*] Term: 14 Years

[21] Appl. No.: 805,149

[22] Filed: Nov. 14, 1985

[30] Foreign Application Priority Data

May 16, 1985 [JP] Japan ..... 60-20474  
 [52] U.S. Cl. .... D22/140  
 [58] Field of Search ..... D22/140; 242/84.1 R,  
 242/84.2 R, 84.28

[56]

References Cited

U.S. PATENT DOCUMENTS

D. 261,297 10/1981 Sakamoto et al. .... D22/140  
 D. 265,497 7/1982 Sakamoto et al. .... D22/140  
 D. 273,974 5/1984 Myojo ..... D22/140

Primary Examiner—A. Hugo Word  
Attorney, Agent, or Firm—Frishauf, Holtz, Goodman & Woodward

[57]

CLAIM

The ornamental design for a fishing reel, as shown and described.

DESCRIPTION

FIG. 1 is a rear-right side perspective view of a fishing reel showing our new design; and  
 FIG. 2 is a front-right side perspective view thereof;  
 FIG. 3 is a bottom plan view thereof;  
 FIG. 4 is a rear side elevational view thereof; and  
 FIG. 5 is a top plan view thereof.

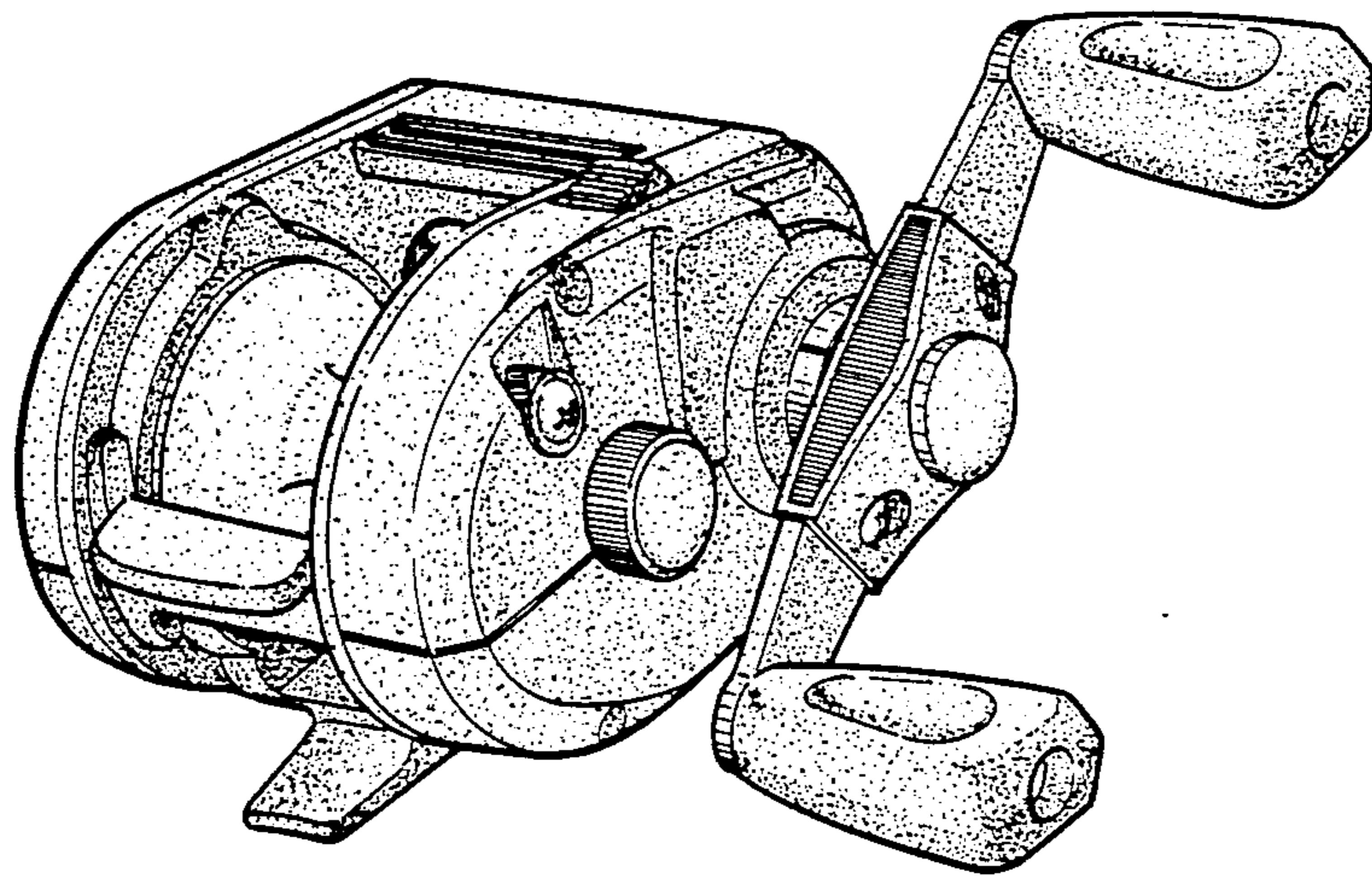


FIG. 1

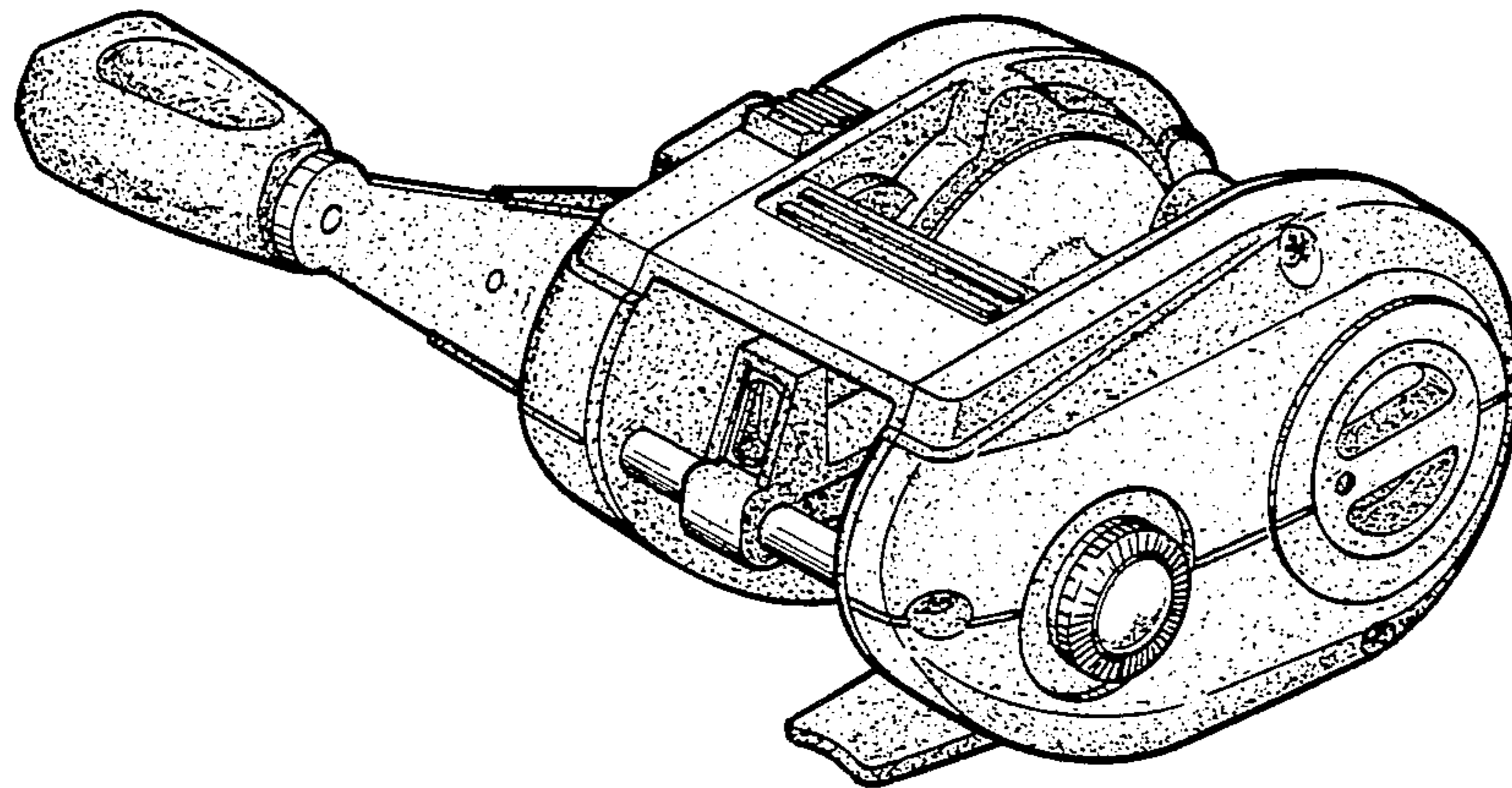


FIG. 2

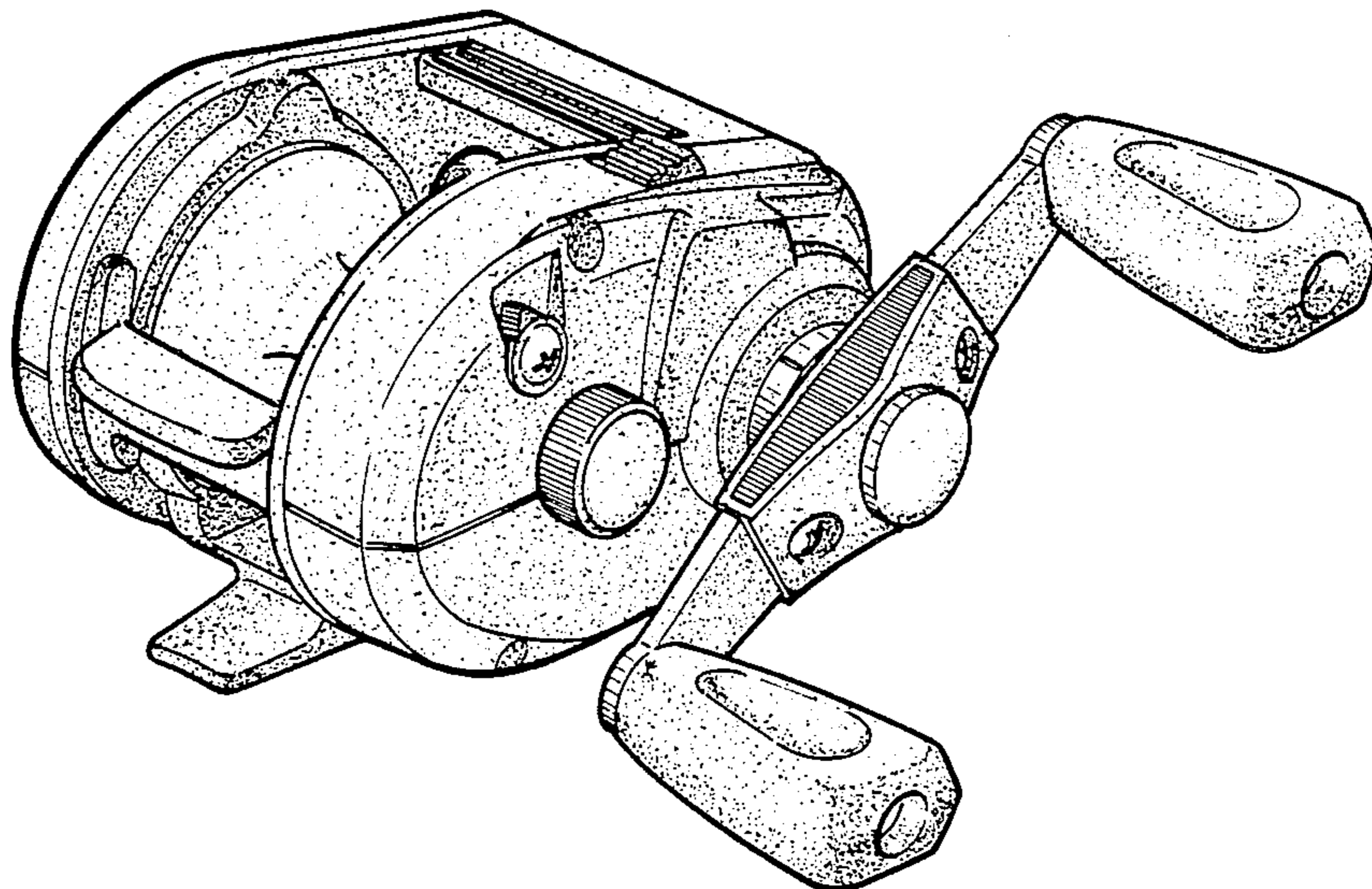


FIG. 3

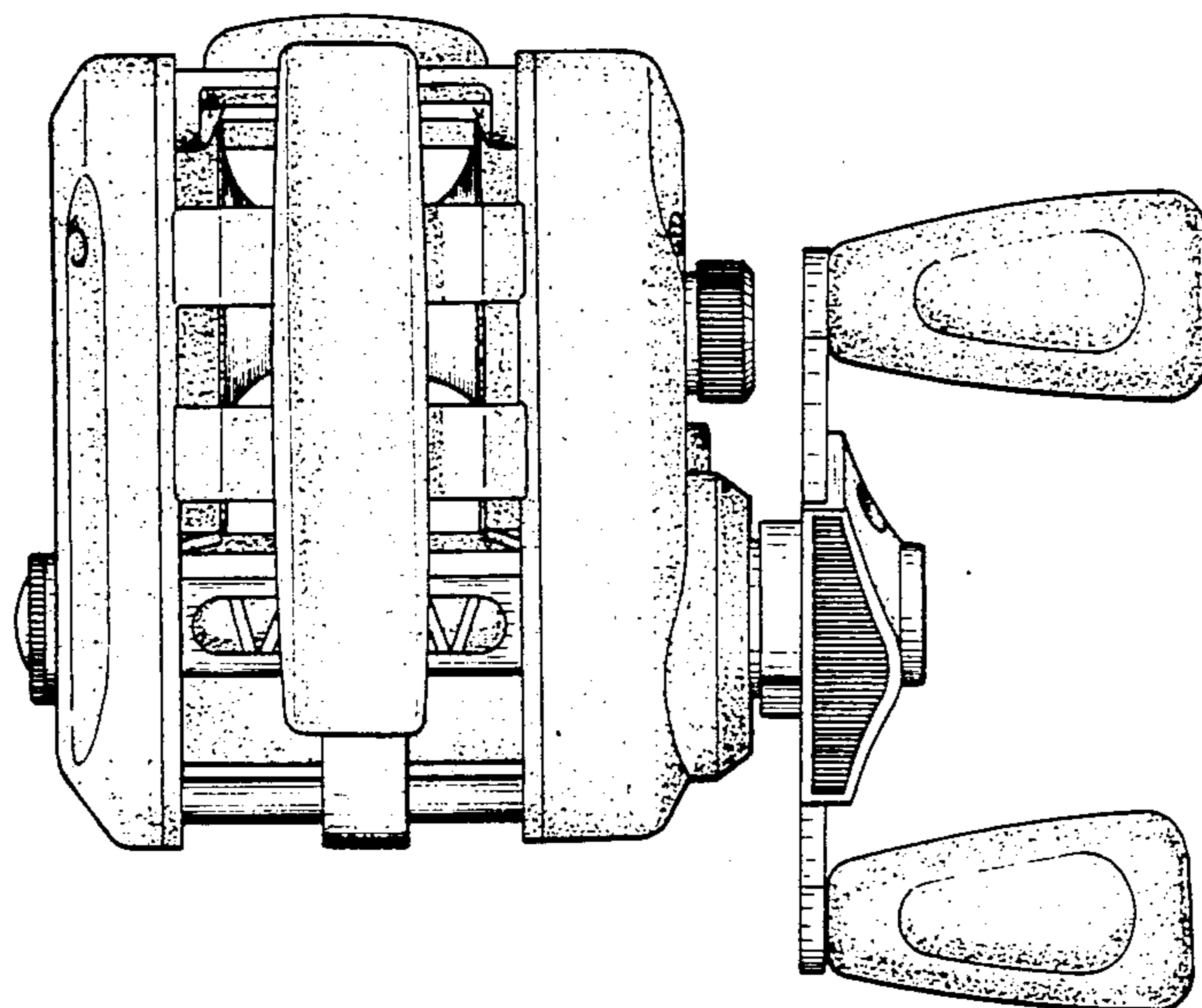


FIG. 4

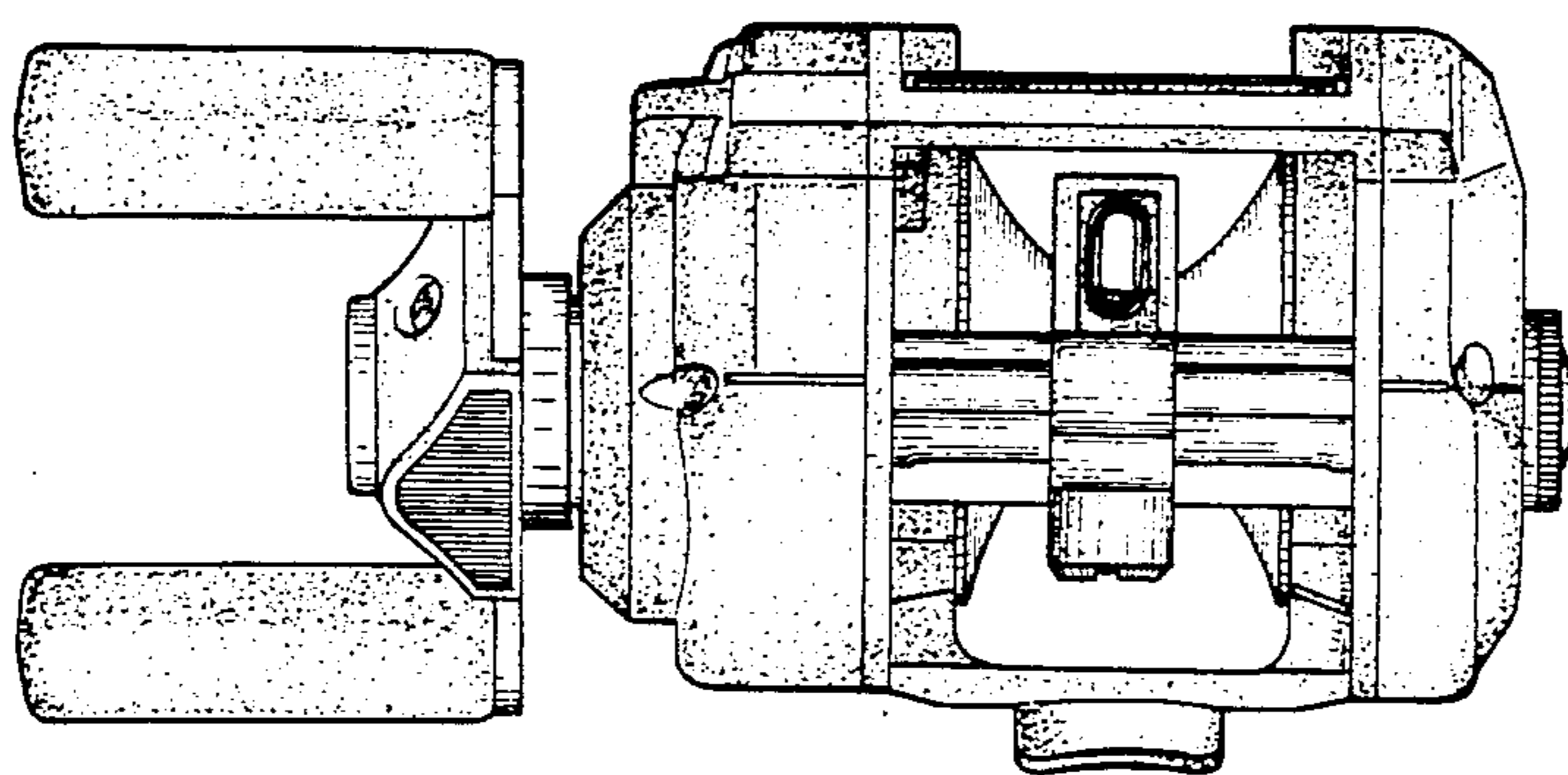




FIG. 5

