

[54] TOY PLAY SCENE

984,735 2/1911 Bailey ..... D21/114

[75] Inventor: Ernest L. Thornell, Booneville, Ark.

Primary Examiner—Charles A. Rademaker  
Attorney, Agent, or Firm—Raymond N. Baker

[73] Assignee: Spang & Company, Butler, Pa.

[\*\*] Term: 14 Years

[57] CLAIM

[21] Appl. No.: 792,522

The ornamental design for a toy play scene, substantially as shown and described.

[22] Filed: Oct. 29, 1985

DESCRIPTION

[52] U.S. Cl. .... D21/114; D21/121

[58] Field of Search ..... D21/59, 108, 114, 121,  
D21/115-119; D6/6, 11, 65; 446/476, 477, 479

FIG. 1 is a perspective view of a toy play scene showing my new design;

FIG. 2 is a perspective view thereof, showing the side and end opposite to those shown in FIG. 1;

FIG. 3 is an elevational view taken from one end thereof;

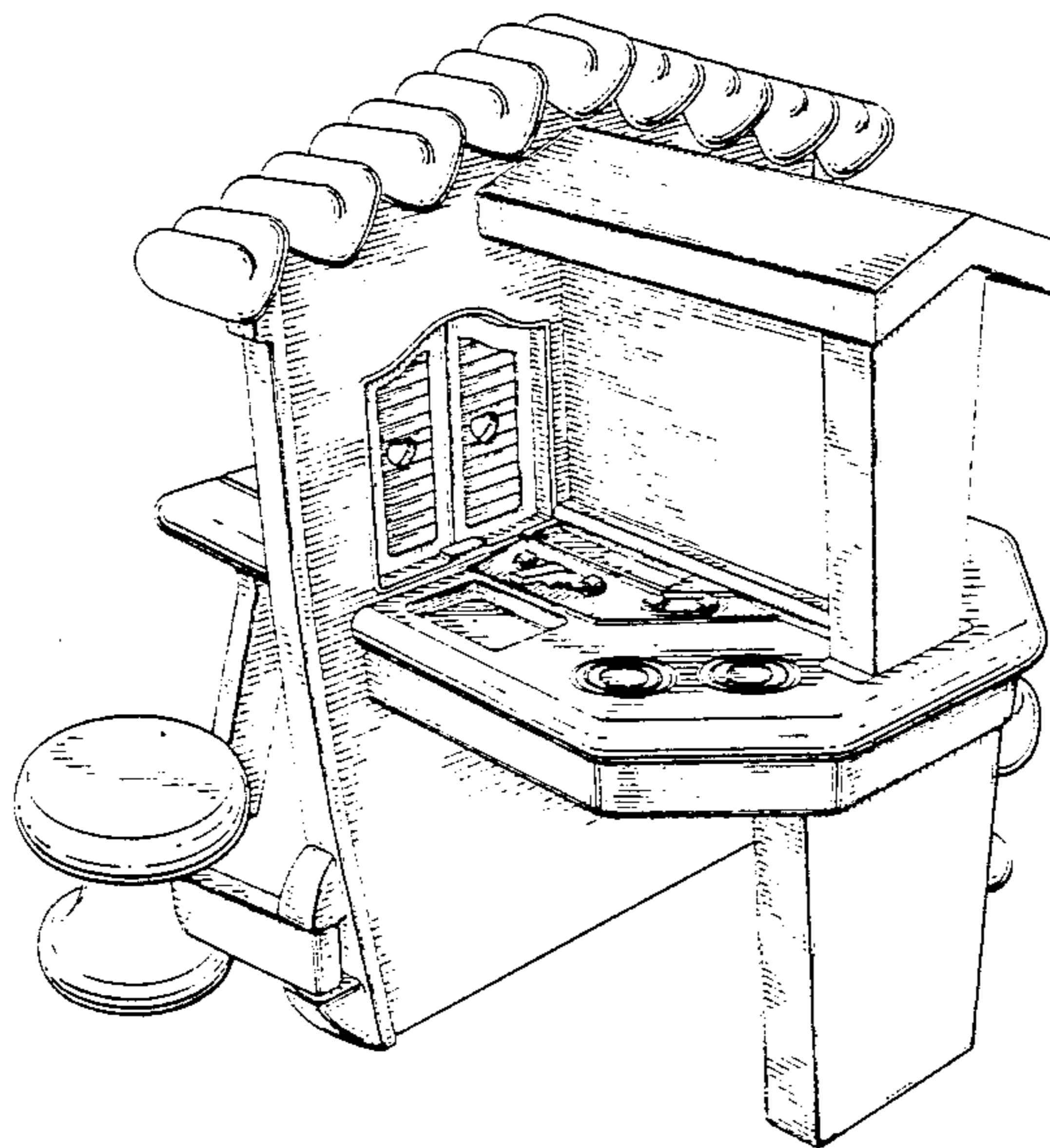
FIG. 4 is an elevational view thereof, taken from the end opposite that shown in FIG. 3; and,

FIG. 5 is a top plan view thereof.

[56] References Cited

U.S. PATENT DOCUMENTS

- D. 178,021 6/1956 Stanley ..... D21/121
- D. 258,162 2/1981 Orenstein et al. .... D21/121
- D. 260,540 9/1981 Nottingham et al. .... D21/121



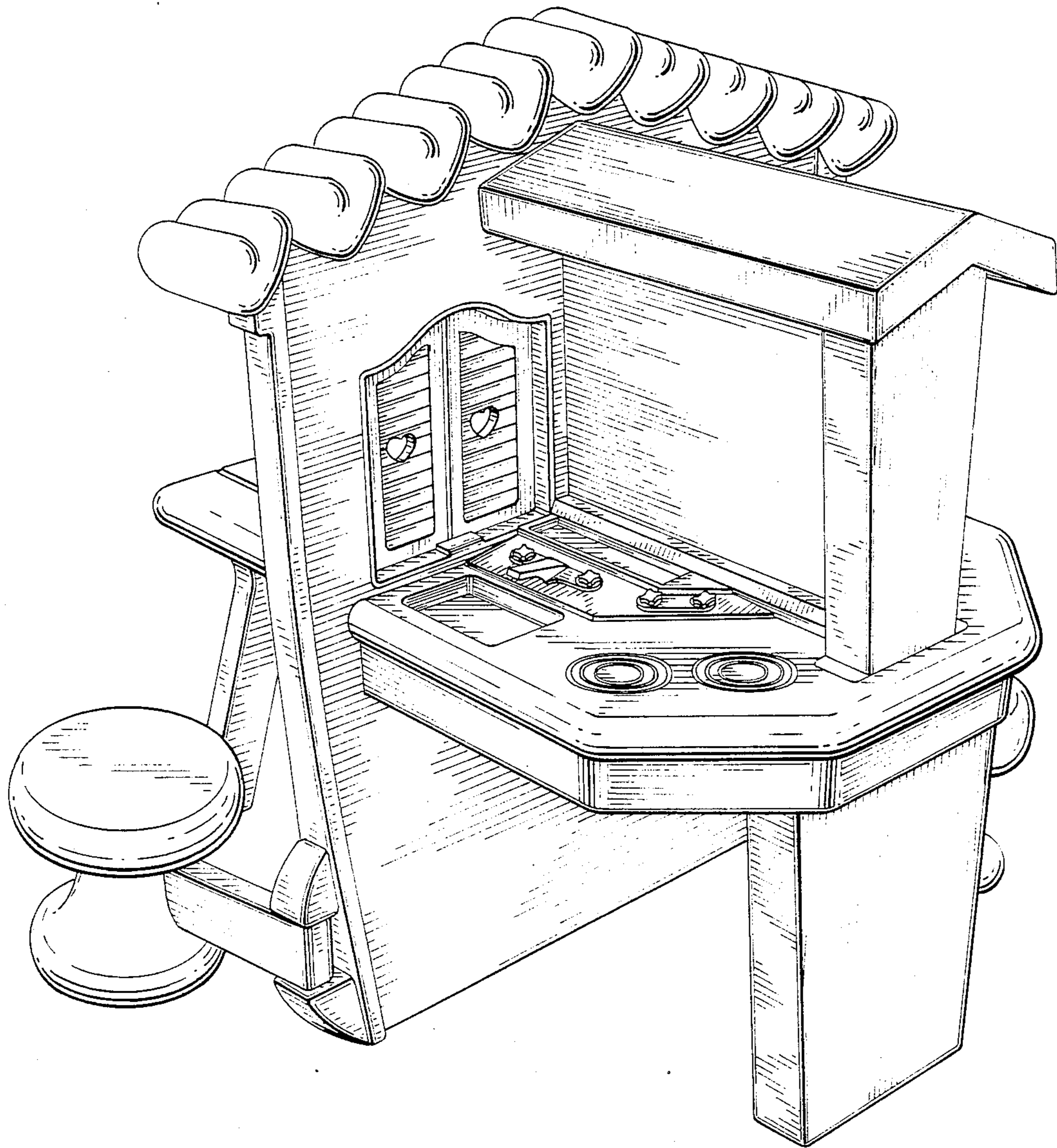
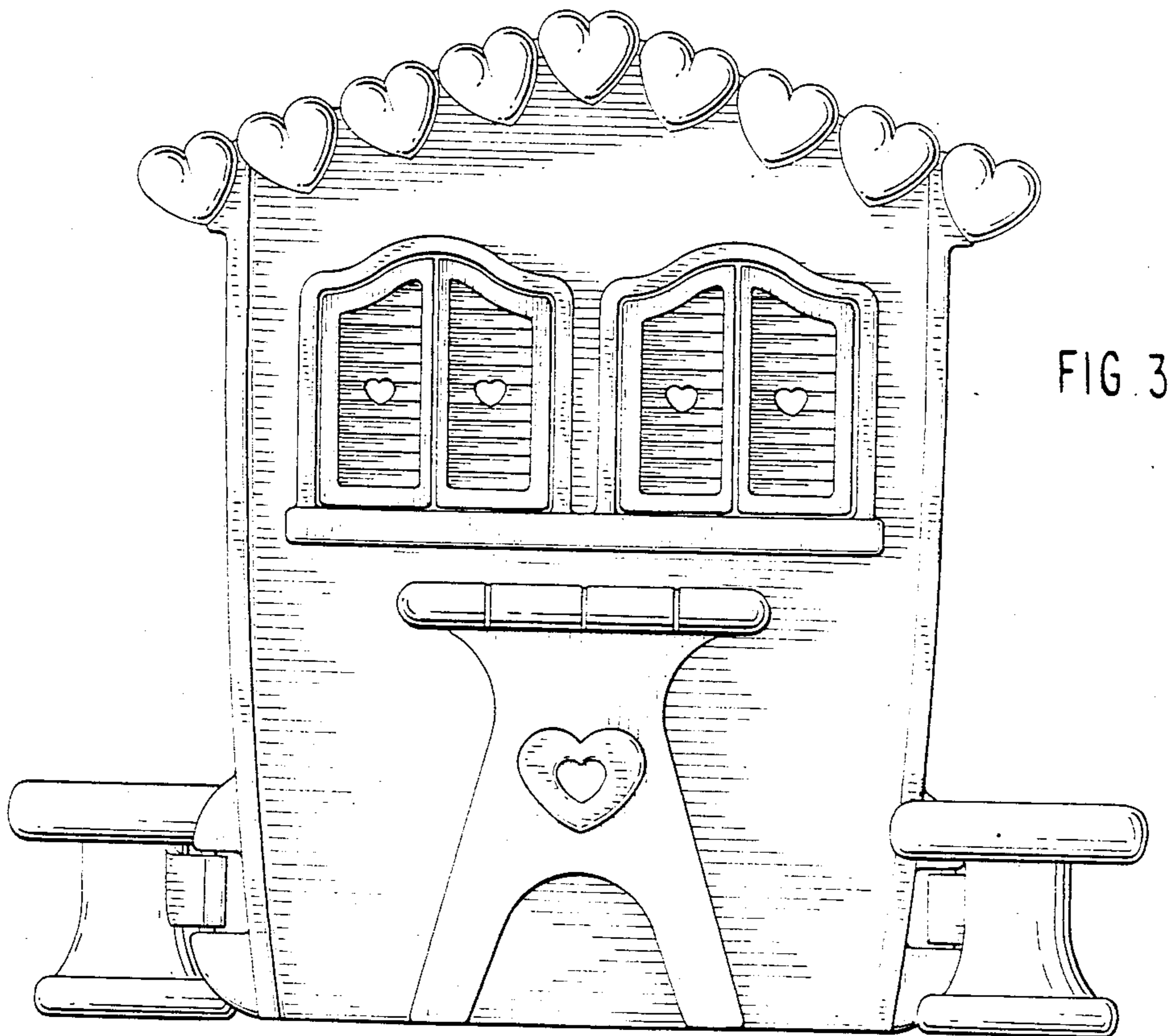
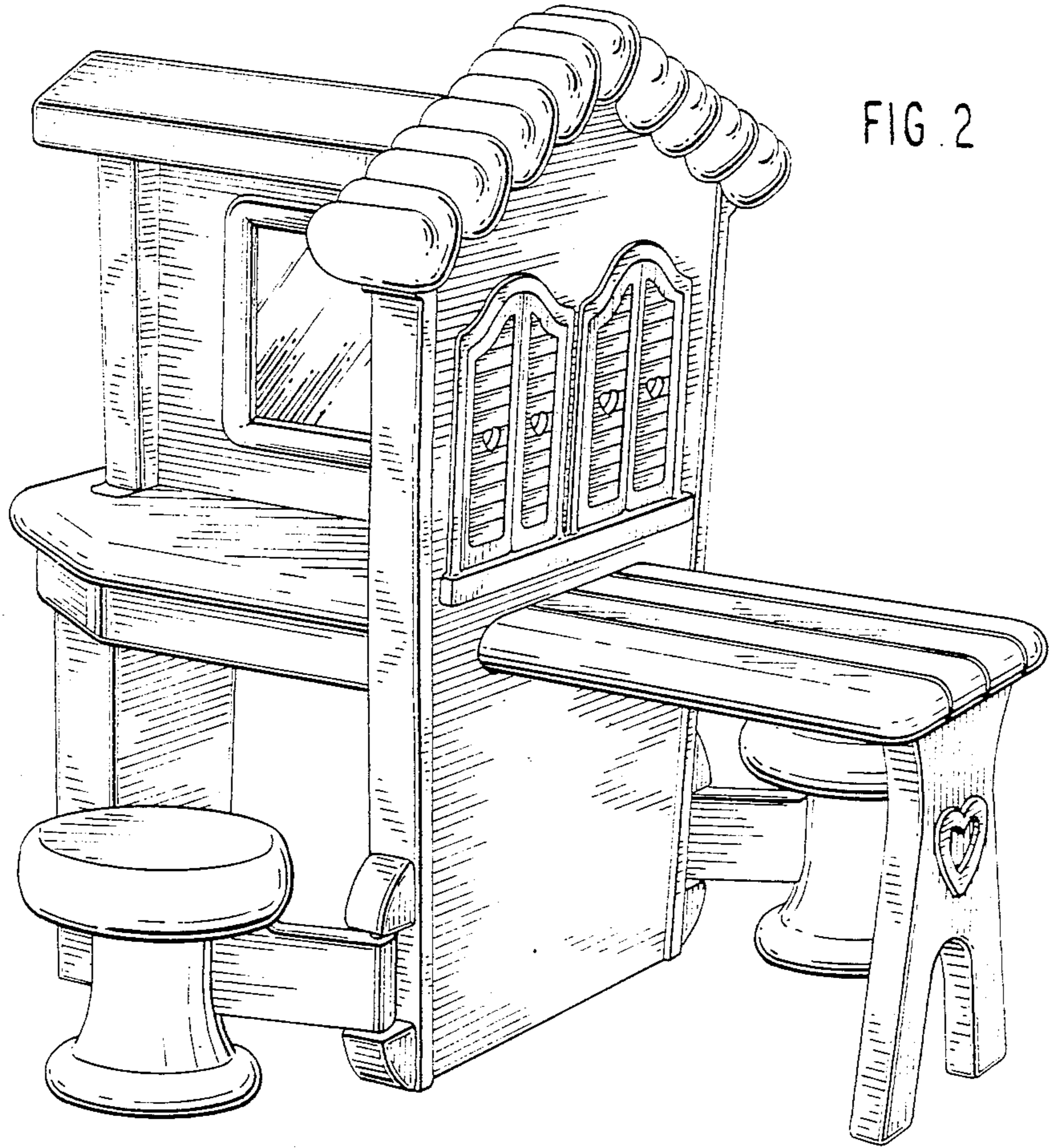


FIG. 1





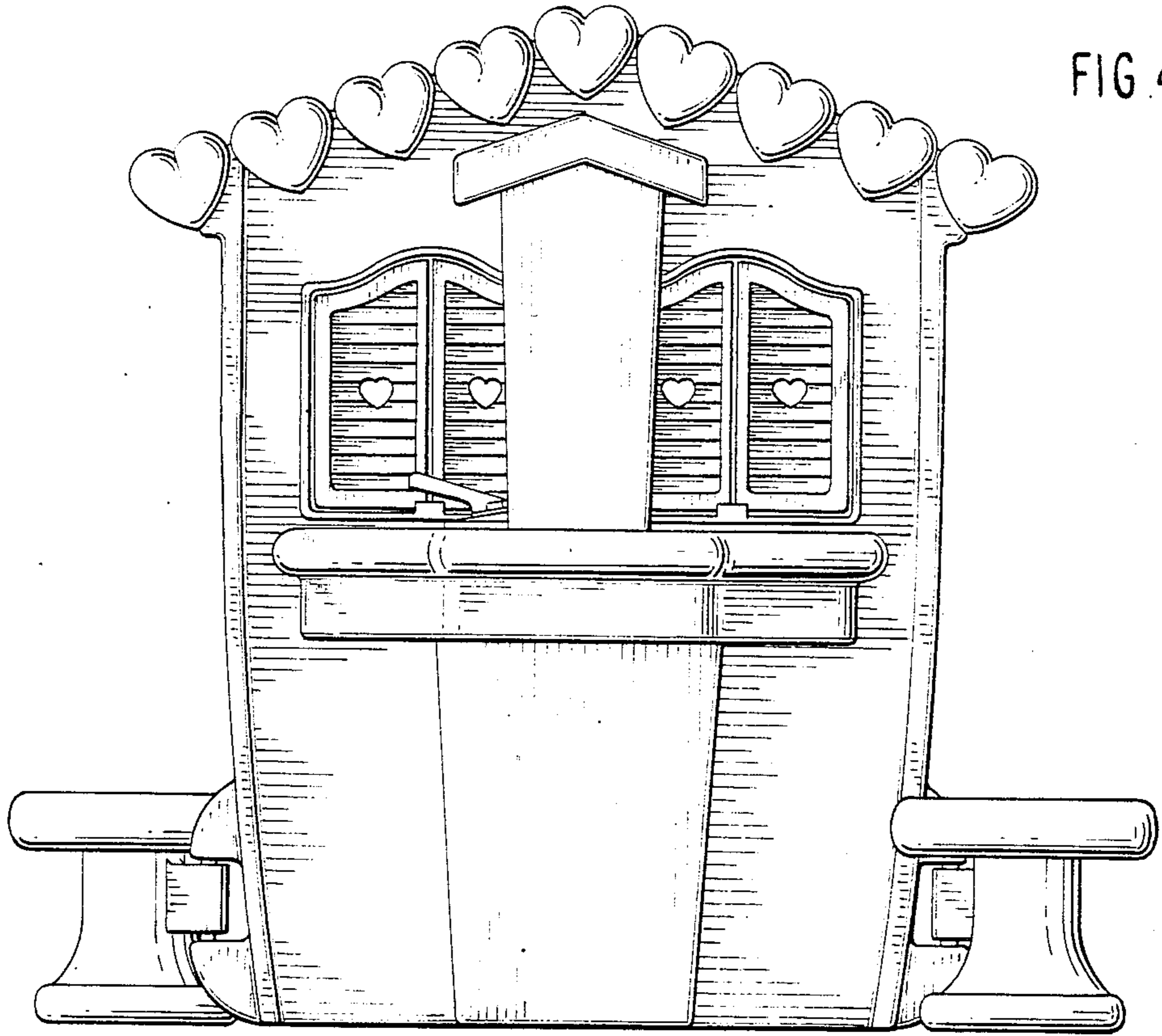


FIG. 4

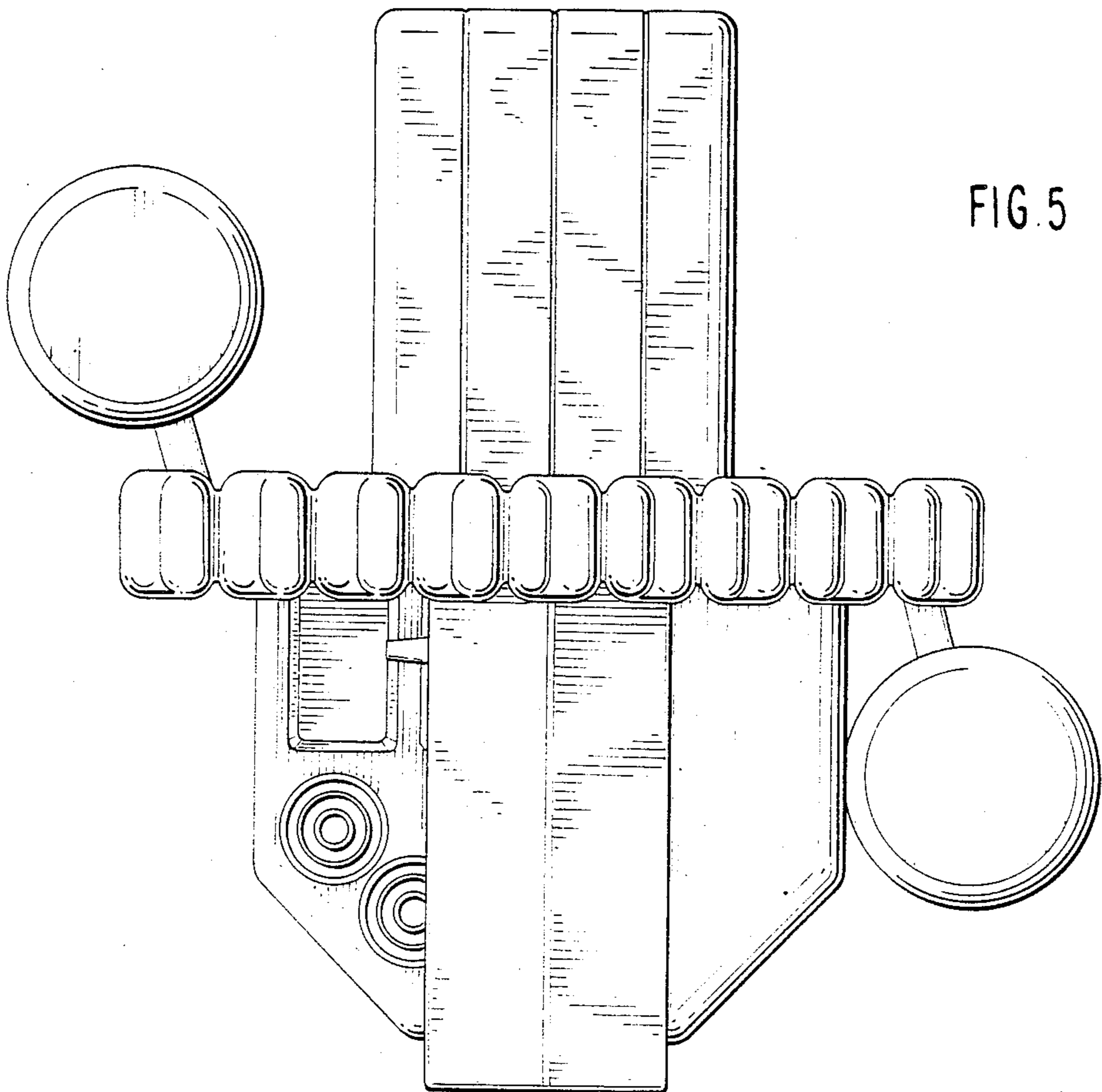


FIG. 5