

[54] MARBLE GAME RAMP

[75] Inventor: William J. Wichman, Glendora, Calif.

[73] Assignee: Discovery Toys, Inc., Pleasant Hill, Calif.

[**] Term: 14 Years

[21] Appl. No.: 741,049

[22] Filed: Jun. 4, 1985

[52] U.S. Cl. D21/59; D21/143

[58] Field of Search D21/1, 12, 19; 446/168-173

[56] References Cited

U.S. PATENT DOCUMENTS

2,729,914 1/1956 Cook 446/168

OTHER PUBLICATIONS

Toys to Grow On "Build & Roll Raceway", Fall 1984 catalog.
Bear Creek "Marble Race" Fall 1984 catalog.

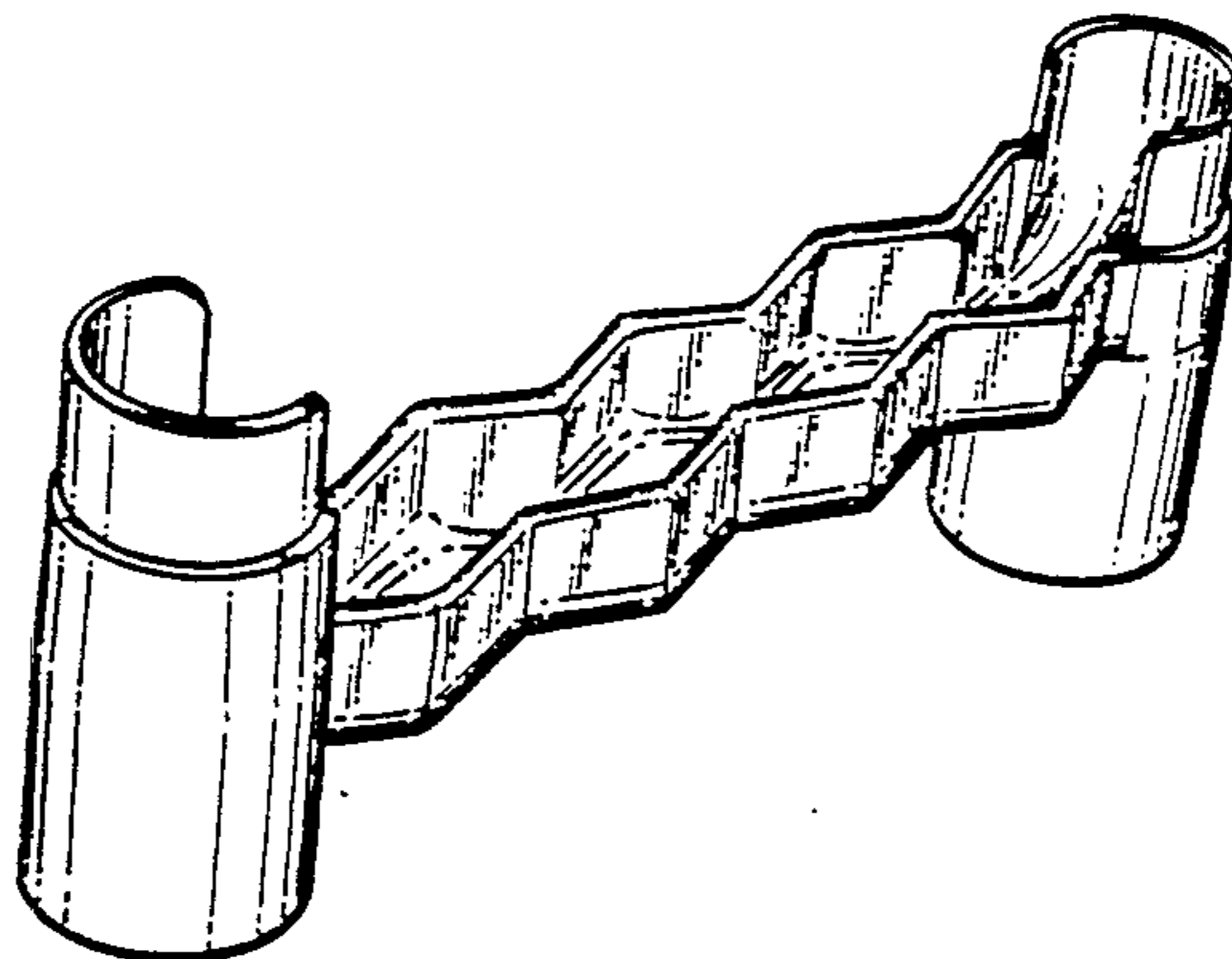
Primary Examiner—Melvin B. Feifer
Attorney, Agent, or Firm—Townsend and Townsend

[57] CLAIM

The ornamental design for a marble game ramp, as shown and described.

DESCRIPTION

FIG. 1 is a perspective view of the marble game ramp showing my new design;
FIG. 2 is a top plan view thereof;
FIG. 3 is a front elevational view thereof;
FIG. 4 is a right side elevational view thereof;
FIG. 5 is a left side elevational view thereof;
FIG. 6 is a rear elevational view thereof; and
FIG. 7 is a bottom plan view thereof.



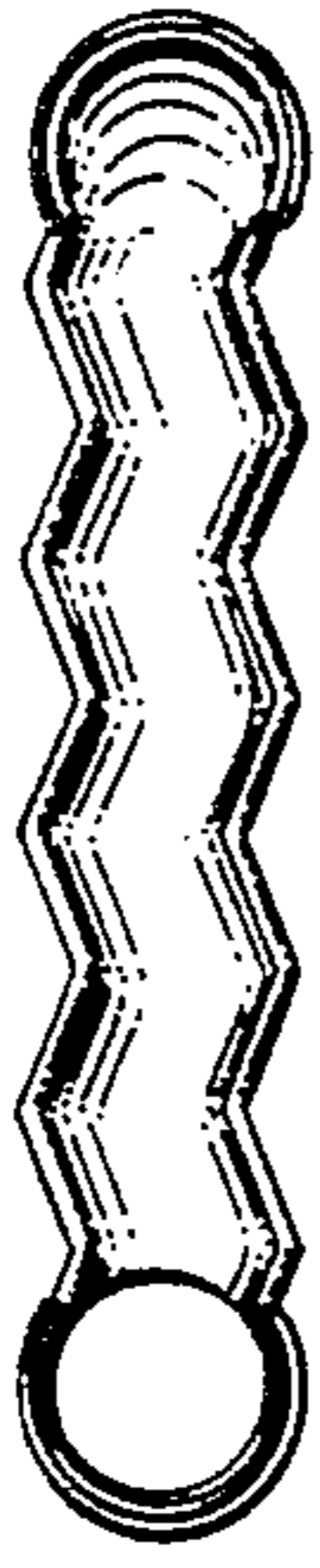


FIG. 2.

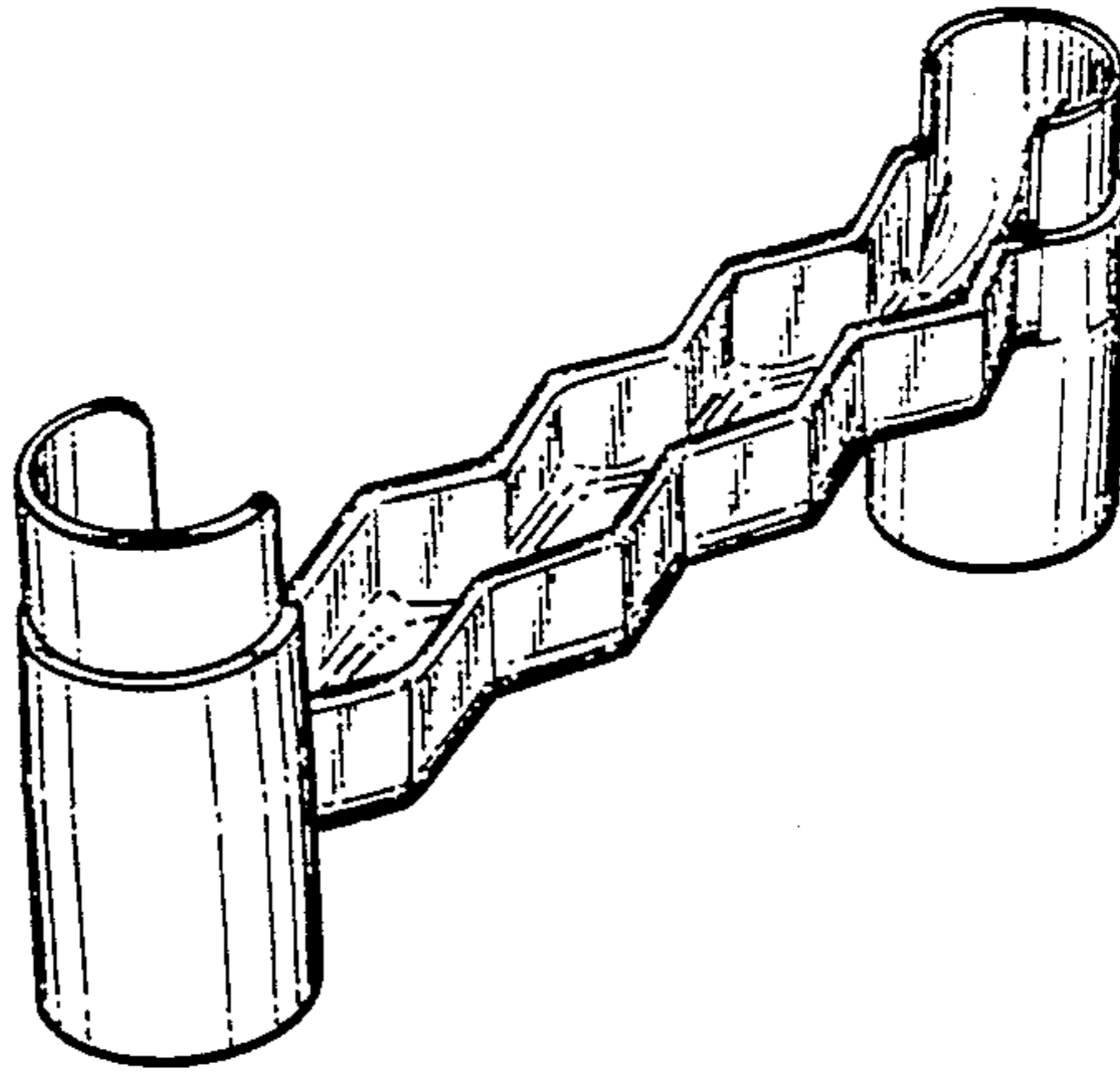


FIG. 1.



FIG. 3.

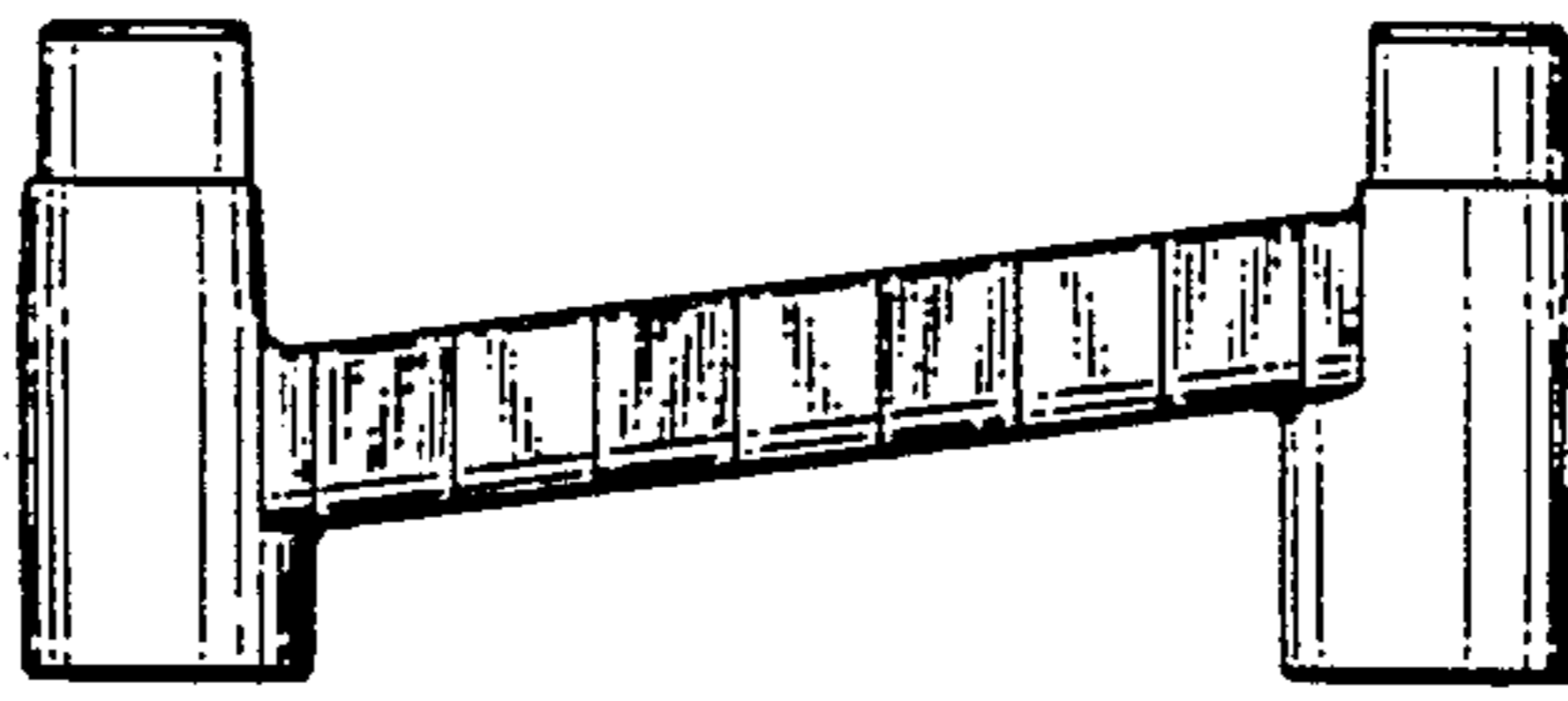


FIG. 4.



FIG. 6.



FIG. 7.

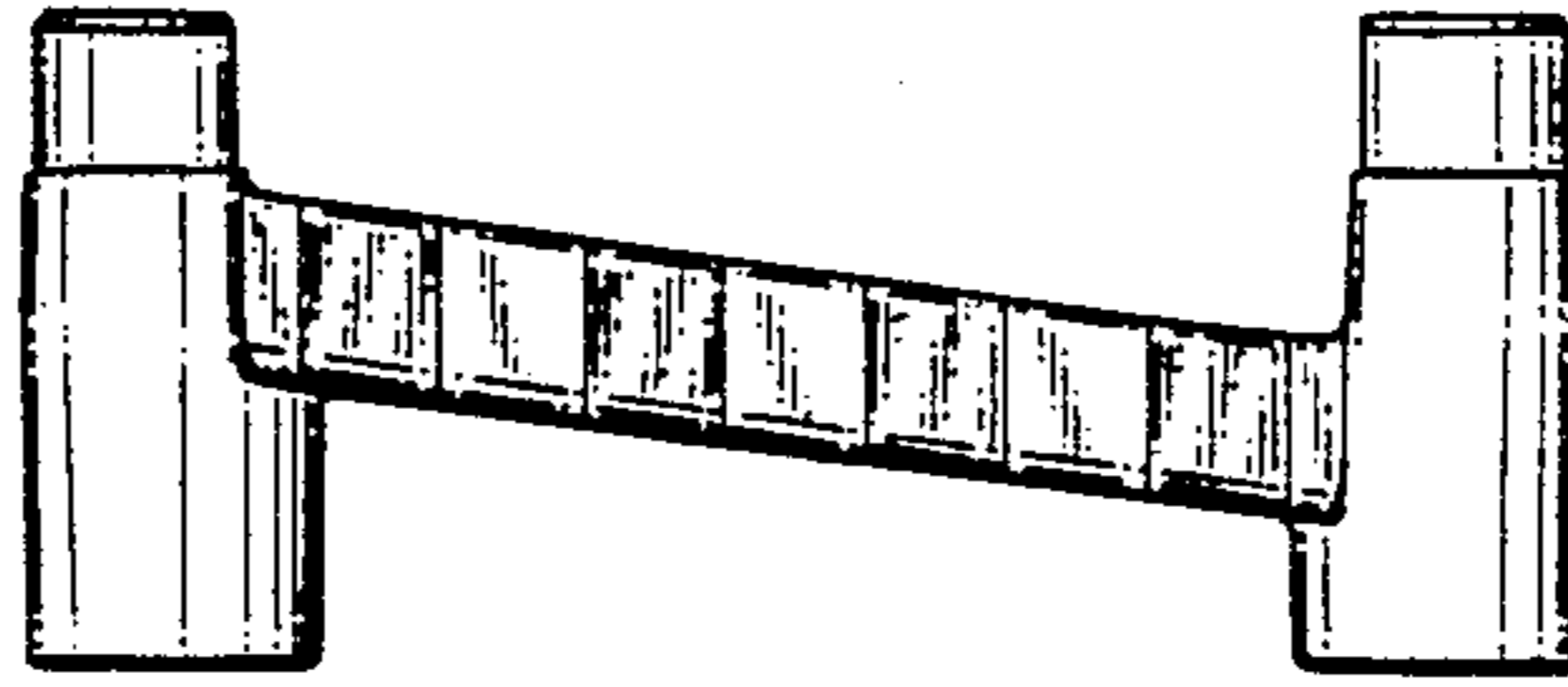


FIG. 5.