

[54] CARDED TAPE STRIPS
[75] Inventors: Harry E. Alden, Bedminster; Thomas D. Policastro, Jr., Raritan, both of N.J.

3,350,799 11/1967 Japs 40/2 R
3,958,051 5/1976 Smith 283/81 X
4,307,526 12/1981 Wippern 40/2 R
4,320,158 3/1982 Seeley 283/81 X
4,584,219 4/1986 Baartmans 40/2 R

[73] Assignee: Johnson & Johnson Products, Inc., New Brunswick, N.J.

Primary Examiner—Bernard Ansher
Assistant Examiner—Theodore M. Shooman
Attorney, Agent, or Firm—Wayne R. Eberhardt

[**] Term: 14 Years

[21] Appl. No.: 711,557

[57] CLAIM

[22] Filed: Mar. 14, 1985

The ornamental design for carded tape strips, substantially as shown and described.

[52] U.S. Cl. D20/27

DESCRIPTION

[58] Field of Search D20/22-28;
D19/32, 33, 1; 40/564, 541, 2 R, 594; 283/81

FIG. 1 is a top perspective view of carded tape strips, showing our new design;

[56] References Cited

U.S. PATENT DOCUMENTS

D. 261,905 11/1981 Smith D20/27
1,478,130 12/1923 Marsh 40/2 R
2,391,539 12/1945 Avery 40/2 R X

FIG. 2 is a front elevational view thereof;

FIG. 3 is a rear elevational view thereof;

FIG. 4 is a top plan view thereof.

FIG. 5 is a side elevational view thereof; and

FIG. 6 is a bottom plan view thereof.

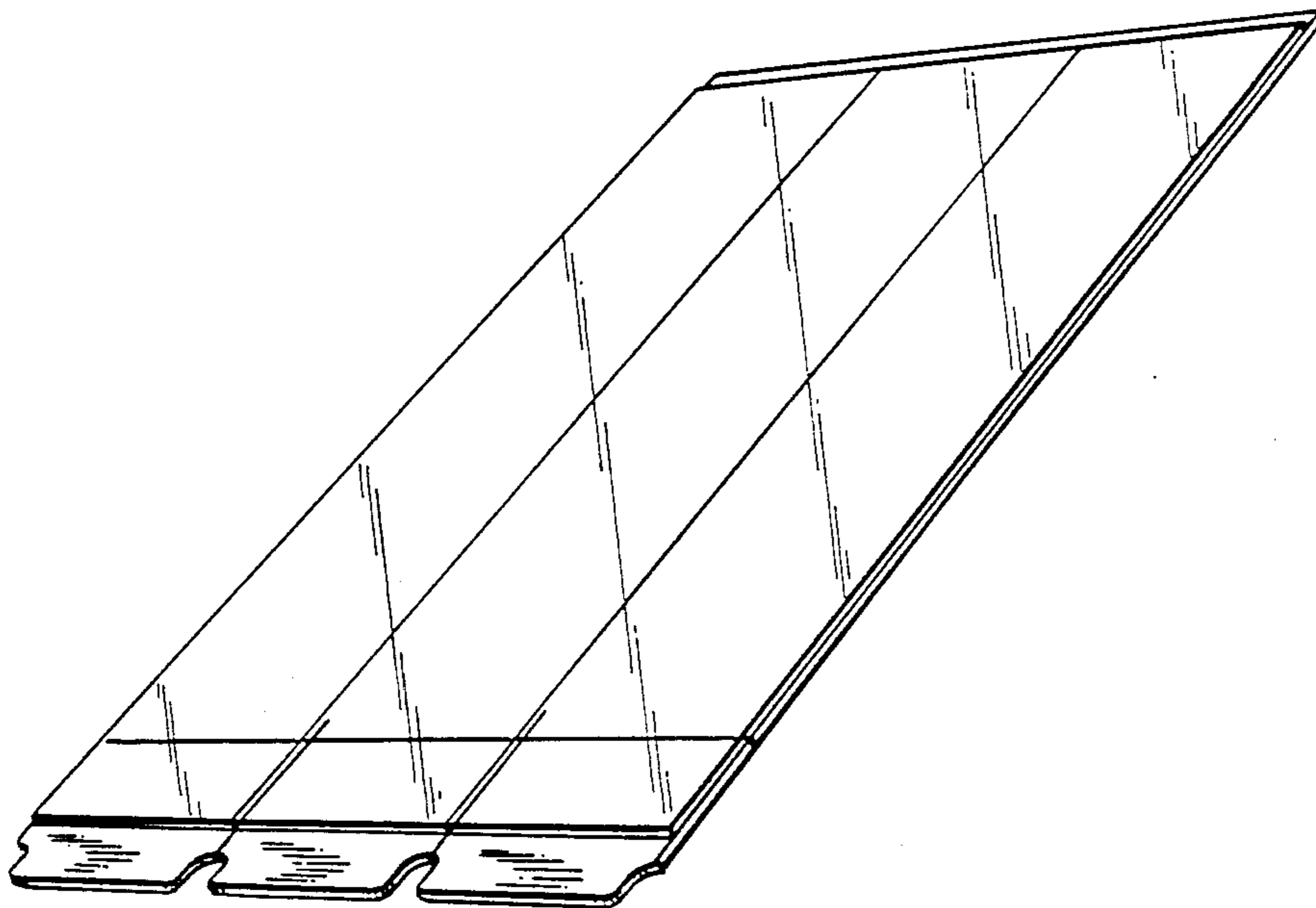


FIG-1

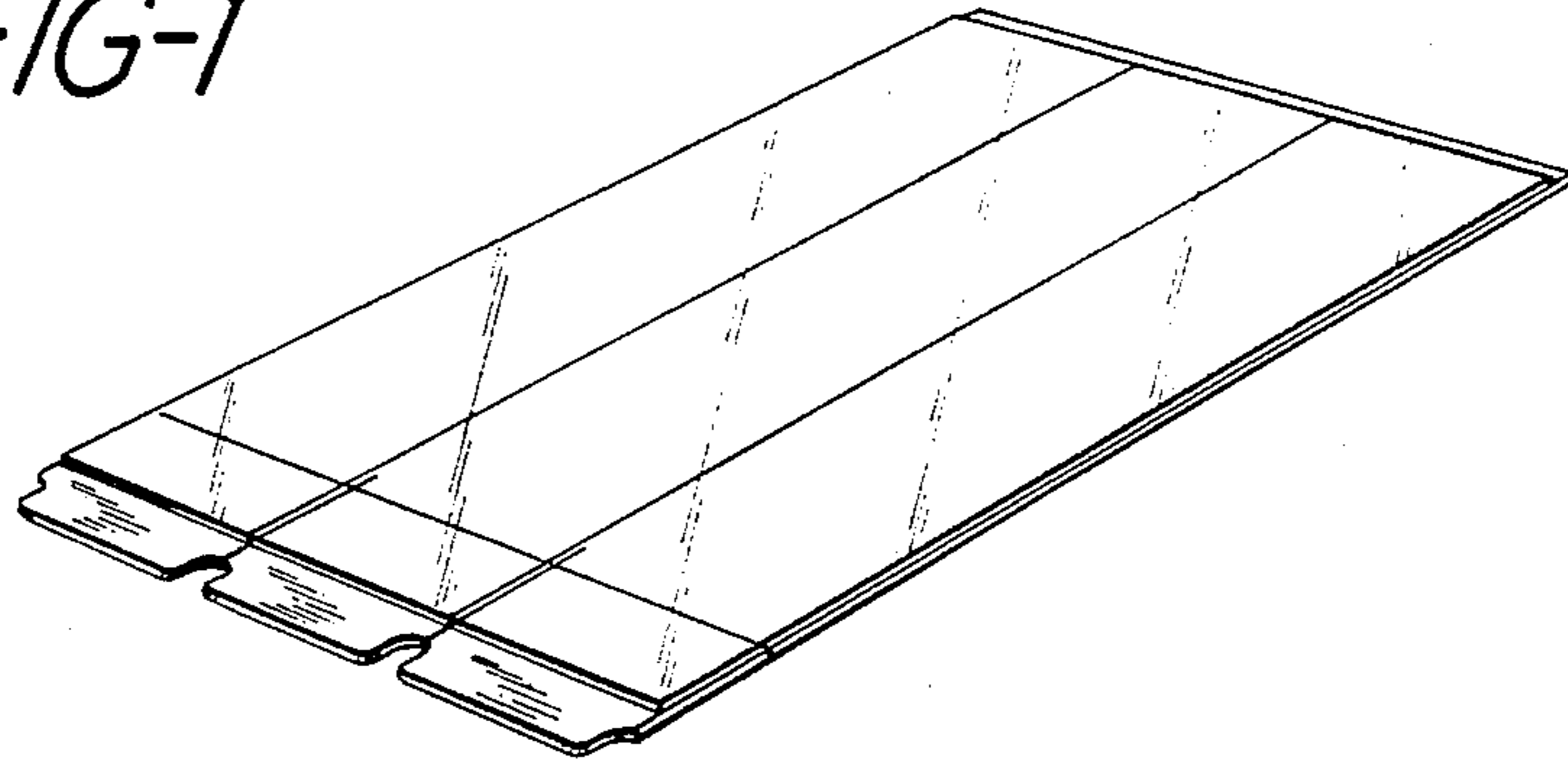


FIG-2



FIG-3



FIG-4

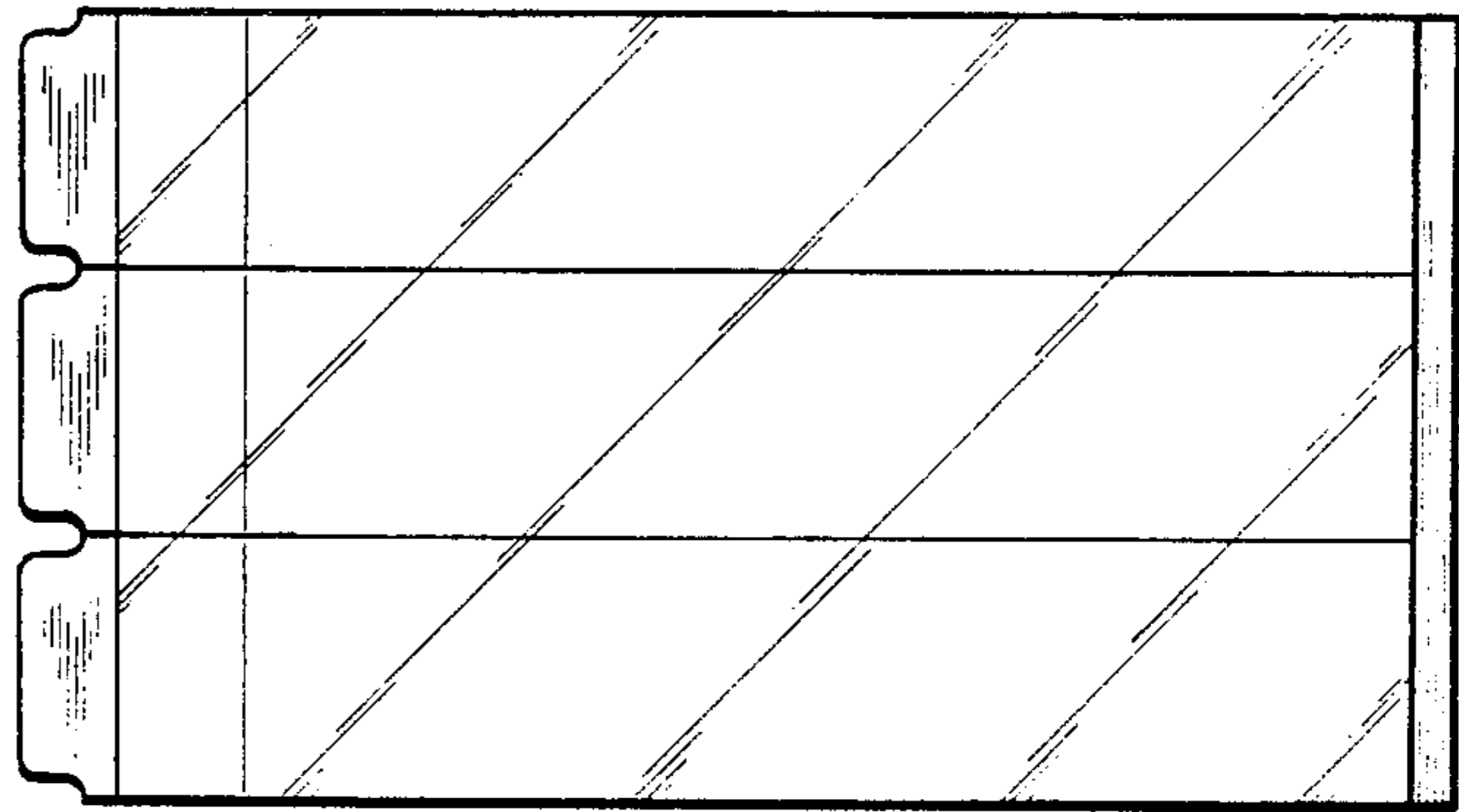


FIG-5

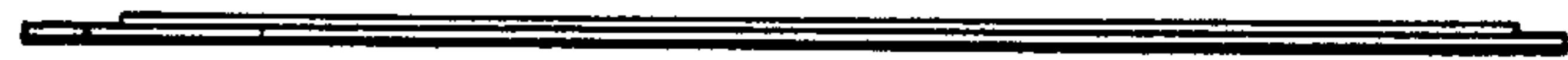


FIG-6

