

- [54] **COMBINED MEMO PAPER CASE AND WRITING INSTRUMENT HOLDER**
- [76] Inventor: **Dou- Zon Lin**, No. 7, Lane Market, Village Shui Li, Nan Tour Hsien, Taiwan
- [**] Term: **14 Years**
- [21] Appl. No.: **683,317**
- [22] Filed: **Dec. 18, 1984**
- [52] U.S. Cl. **D19/78; D19/87; D19/97**
- [58] Field of Search **D19/26-28, D19/22, 24, 75, 78, 80, 82, 97, 59; D3/44, 66**

- D. 254,013 1/1980 Intini D19/78
- D. 287,512 12/1986 Shaw D19/97

Primary Examiner—George P. Word
Attorney, Agent, or Firm—Lowe, Price, LeBlanc, Becker & Shur

[57] **CLAIM**

The ornamental design for a combined memo paper case and writing instrument holder, as shown.

DESCRIPTION

FIG. 1 is a perspective view of a combined memo paper case and writing instrument holder showing my new design;

FIG. 2 is a front elevational view thereof;

FIG. 3 is a rear elevational view thereof;

FIG. 4 is a right side elevational view thereof;

FIG. 5 is a left side elevational view thereof;

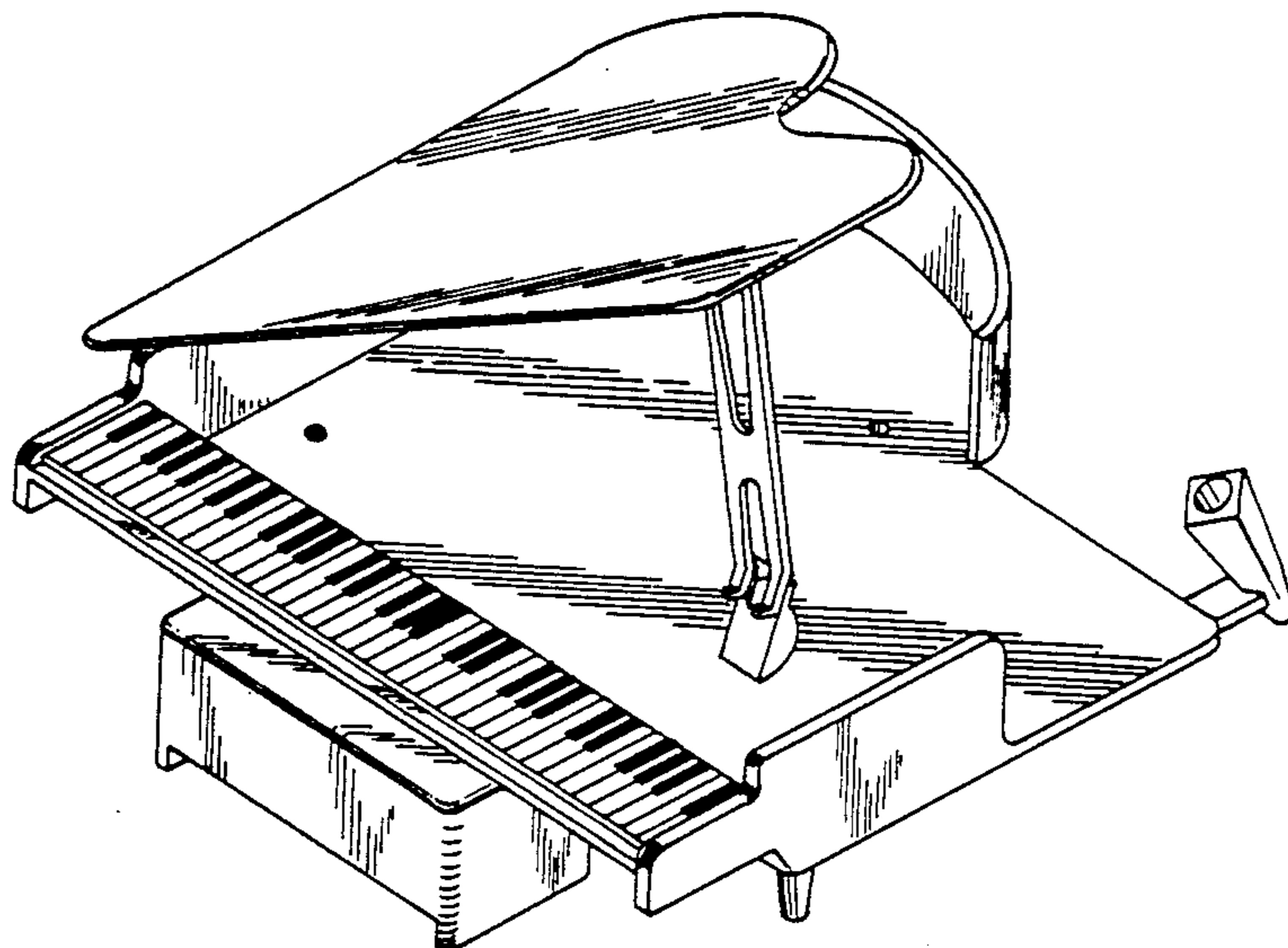
FIG. 6 is a top plan view thereof; and

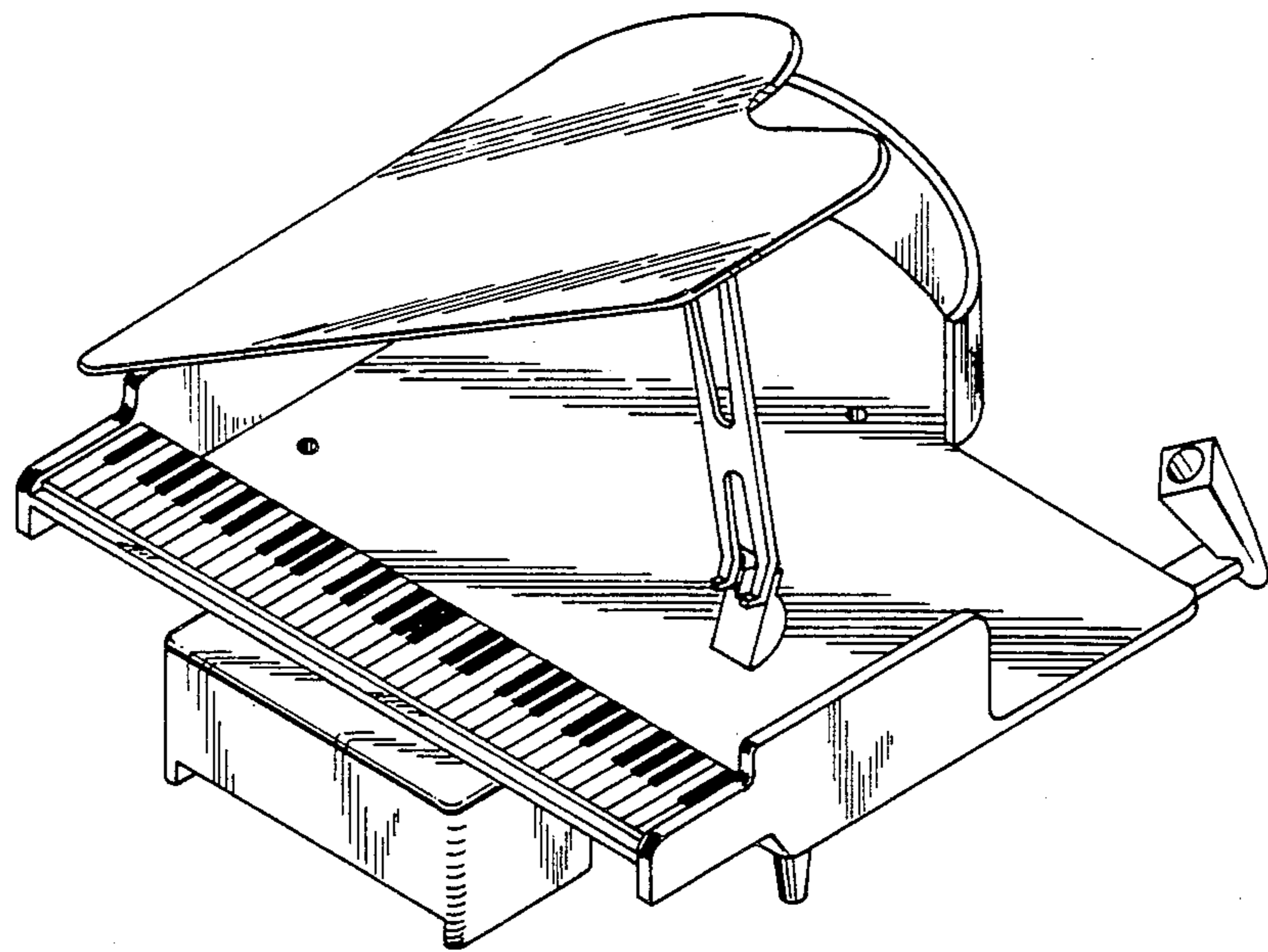
FIG. 7 is a bottom plan view thereof.

[56] **References Cited**

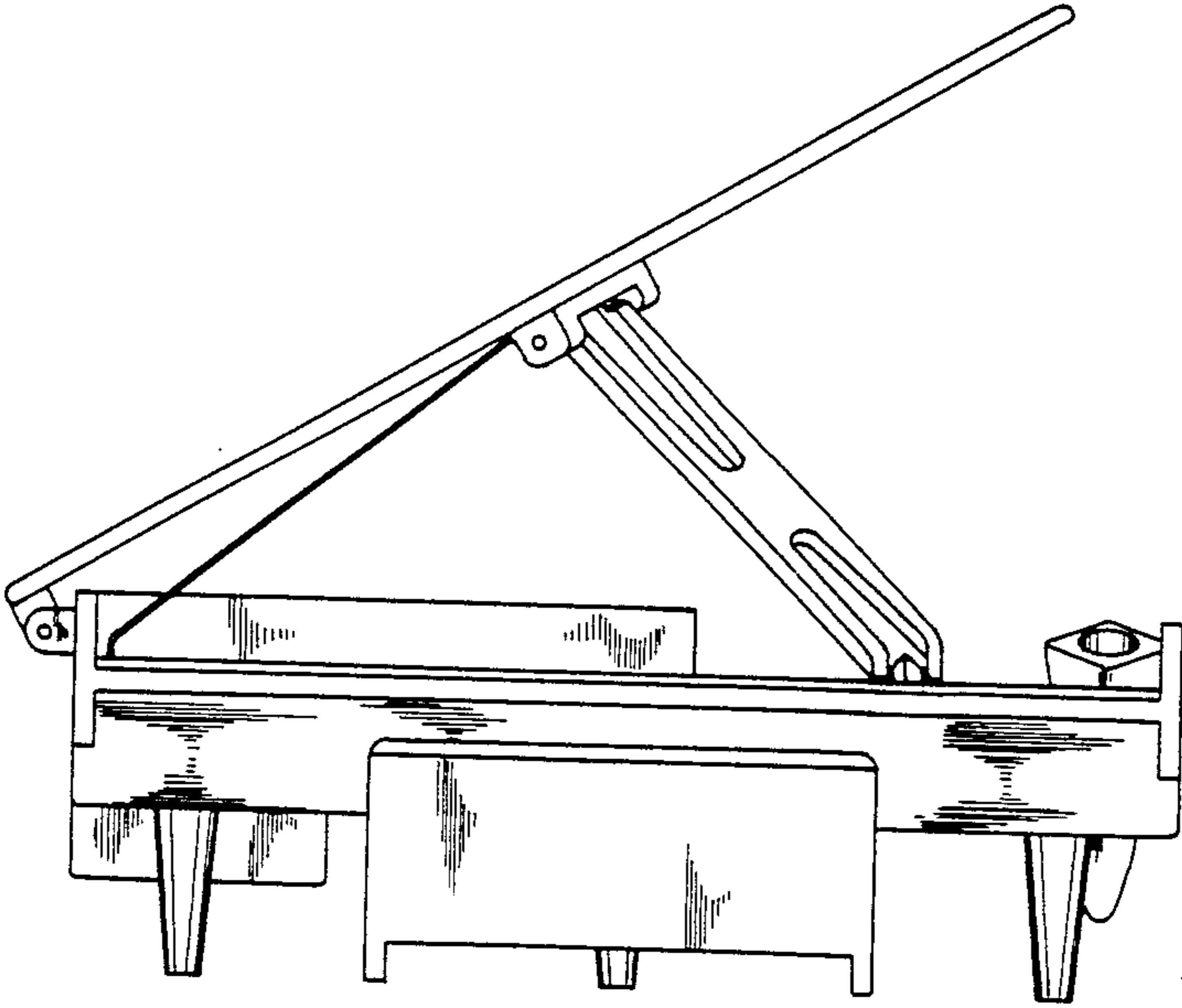
U.S. PATENT DOCUMENTS

- D. 142,670 10/1945 Rogow D19/28
- D. 164,591 9/1951 Murphy D19/28
- D. 227,574 7/1973 Wyatt D19/59

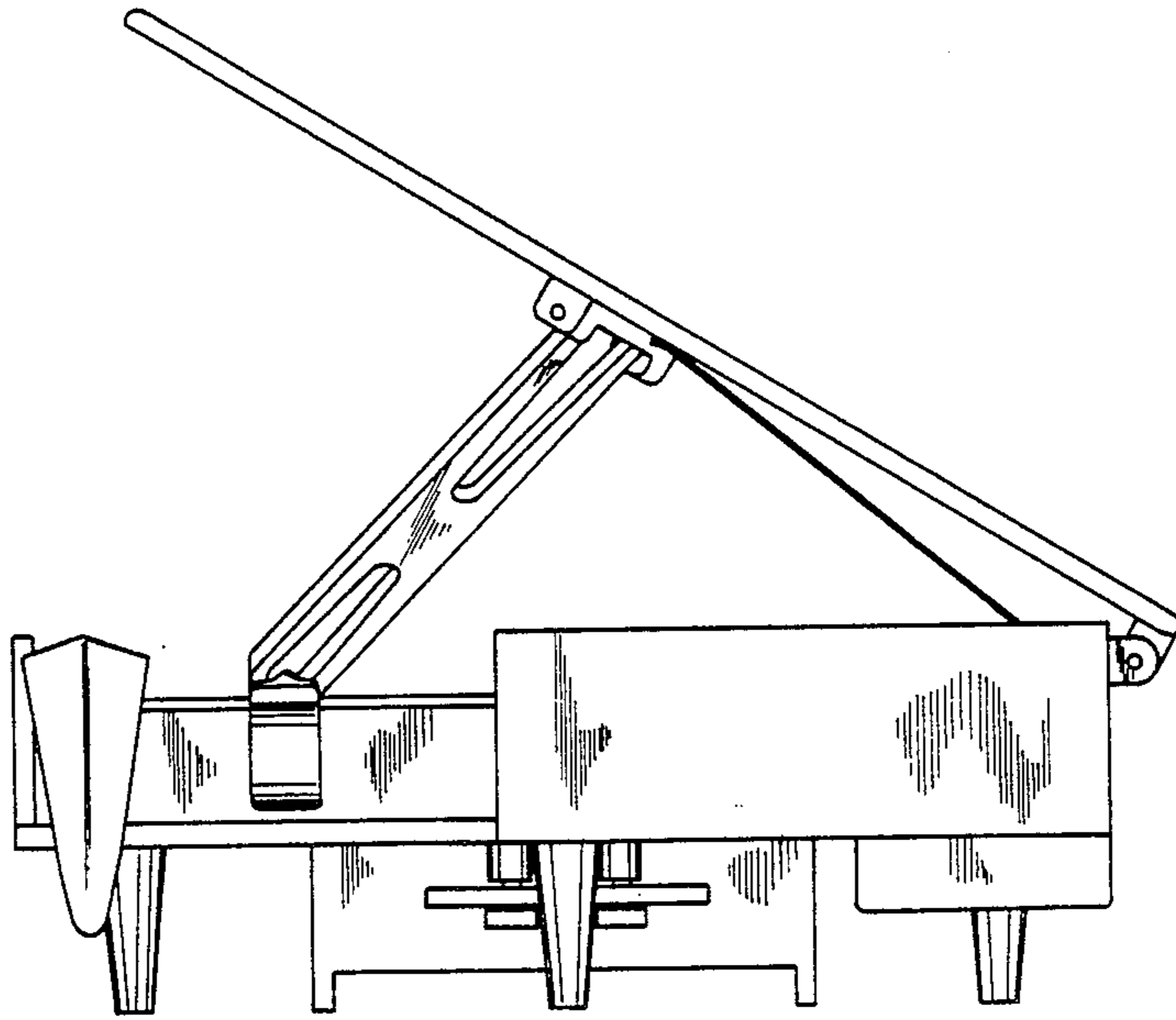




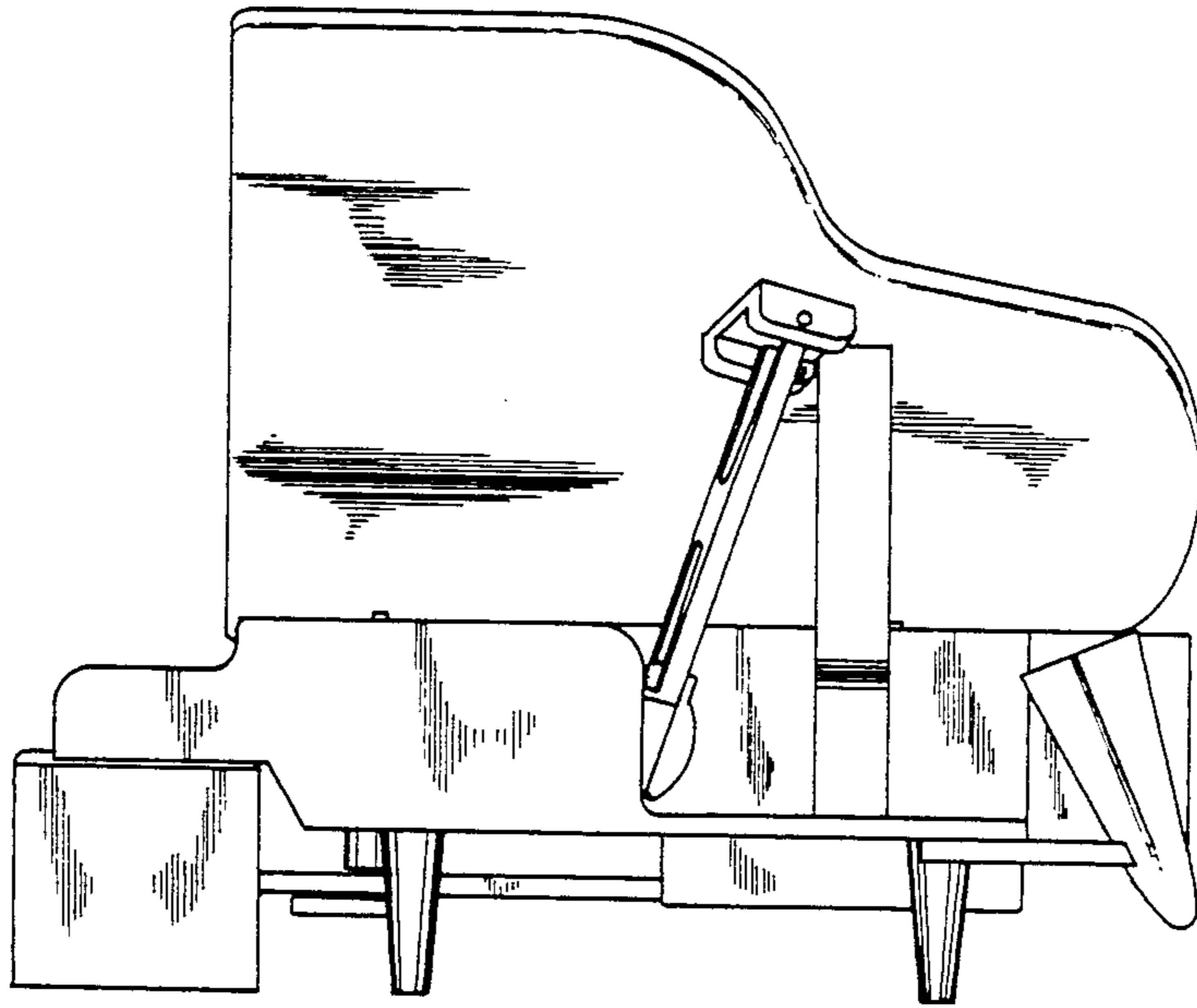
F I G. 1



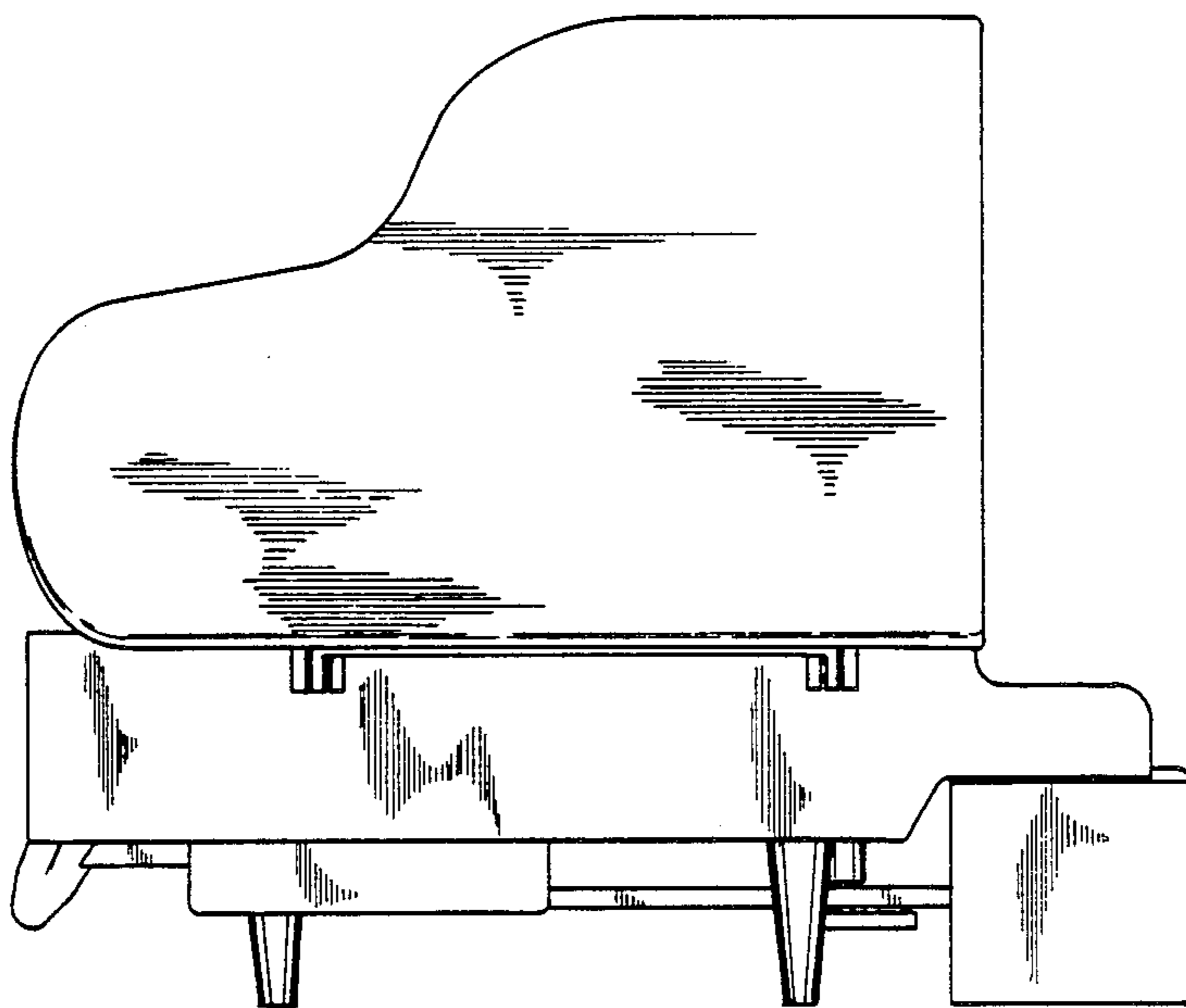
F I G 2



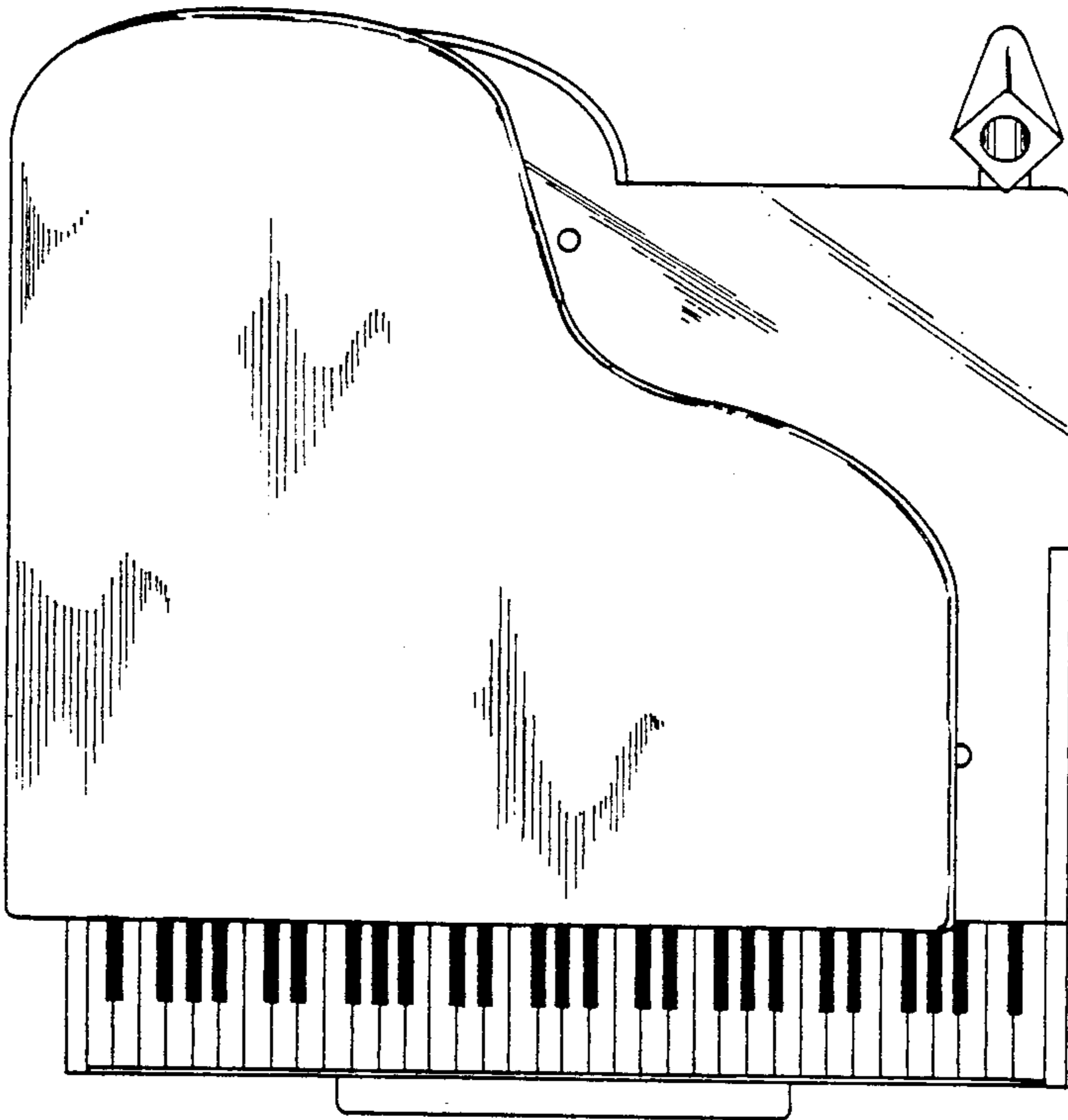
F I G. 3



F I G 4



F I G. 5



F I G. 6

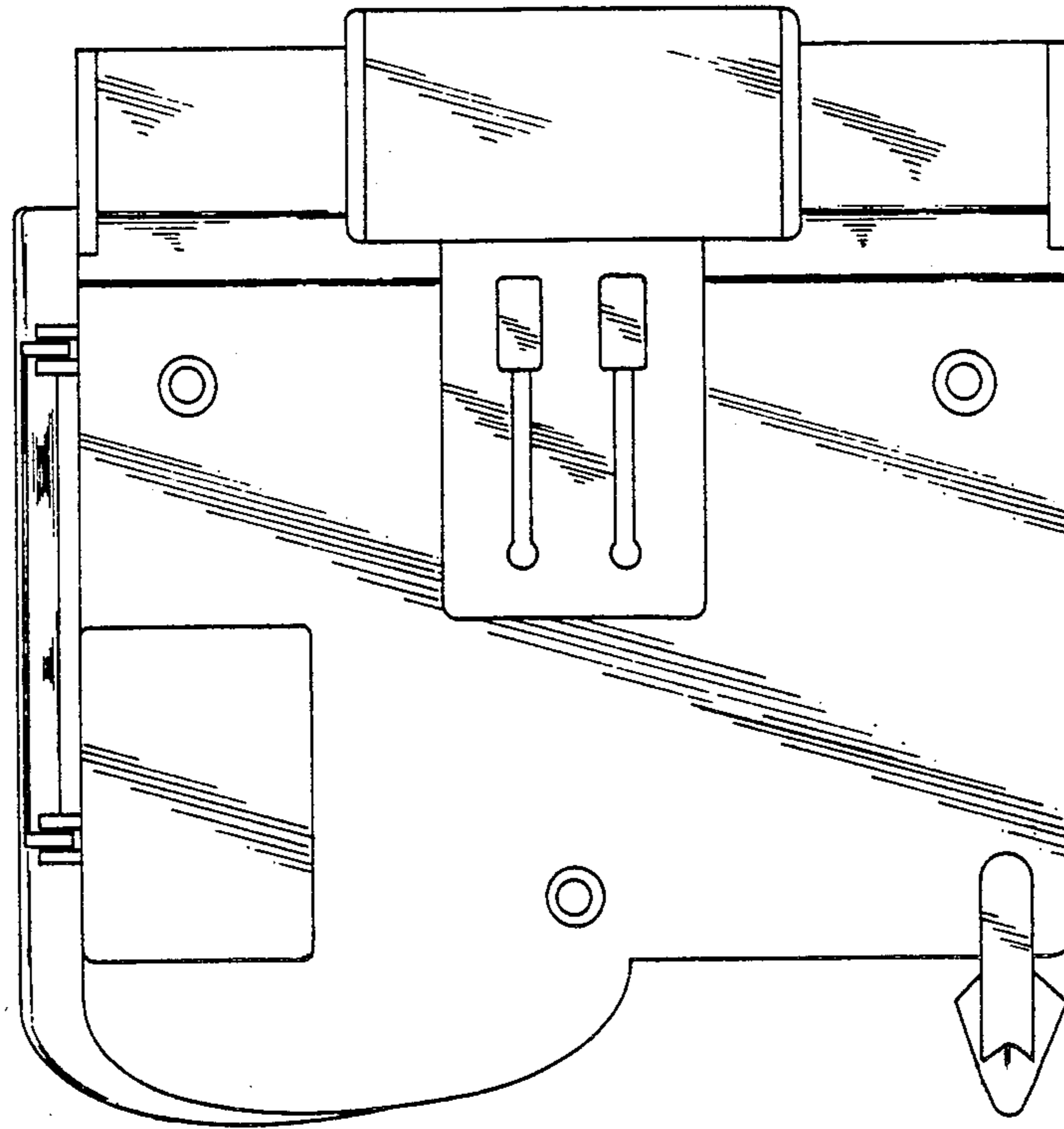


FIG 7