

United States Patent [19]

Sutou et al.

[11] Patent Number: Des. 293,686

[45] Date of Patent: ** Jan. 12, 1988

[54] LASER IMAGE RECORDING MACHINE

[75] Inventors: Masatoki Sutou, Okazaki; Sadanobu Murasaki, Sagamihara, both of Japan

[73] Assignee: Minolta Camera Kabushiki Kaisha, Osaka, Japan

[**] Term: 14 Years

[21] Appl. No.: 736,715

[22] Filed: May 22, 1985

[30] Foreign Application Priority Data

Nov. 22, 1984 [JP] Japan 59-48255

[52] U.S. Cl. D16/34; D16/27; D18/13

[58] Field of Search D18/13, 22, 23; D16/30-32, 27-30, 33, 34; D14/107, 111, 114; 400/689-694, 118

[56] References Cited

U.S. PATENT DOCUMENTS

D. 224,054 6/1972 Derby et al. D16/30

D. 232,480 8/1974 Laughon D16/27
D. 281,256 11/1985 Yamamoto D18/13

Primary Examiner—Louis S. Zarfes
Attorney, Agent, or Firm—Wenderoth, Lind & Ponack

[57] CLAIM

The ornamental design for a laser image recording machine, as shown and described.

DESCRIPTION

FIG. 1 is a front elevational view of a laser image recording machine showing our new design;

FIG. 2 is a top plan view thereof;

FIG. 3 is a bottom plan view thereof;

FIG. 4 is a left side elevational view thereof;

FIG. 5 is a right side elevational view thereof;

FIG. 6 is a rear elevational view thereof;

FIG. 7 is a front perspective view thereof;

FIG. 8 is a front perspective view thereof with the film cartridge and collector in open positions.

The broken line showing of film magazines in FIG. 8 is for illustrative purposes only and forms no part of the claimed design.

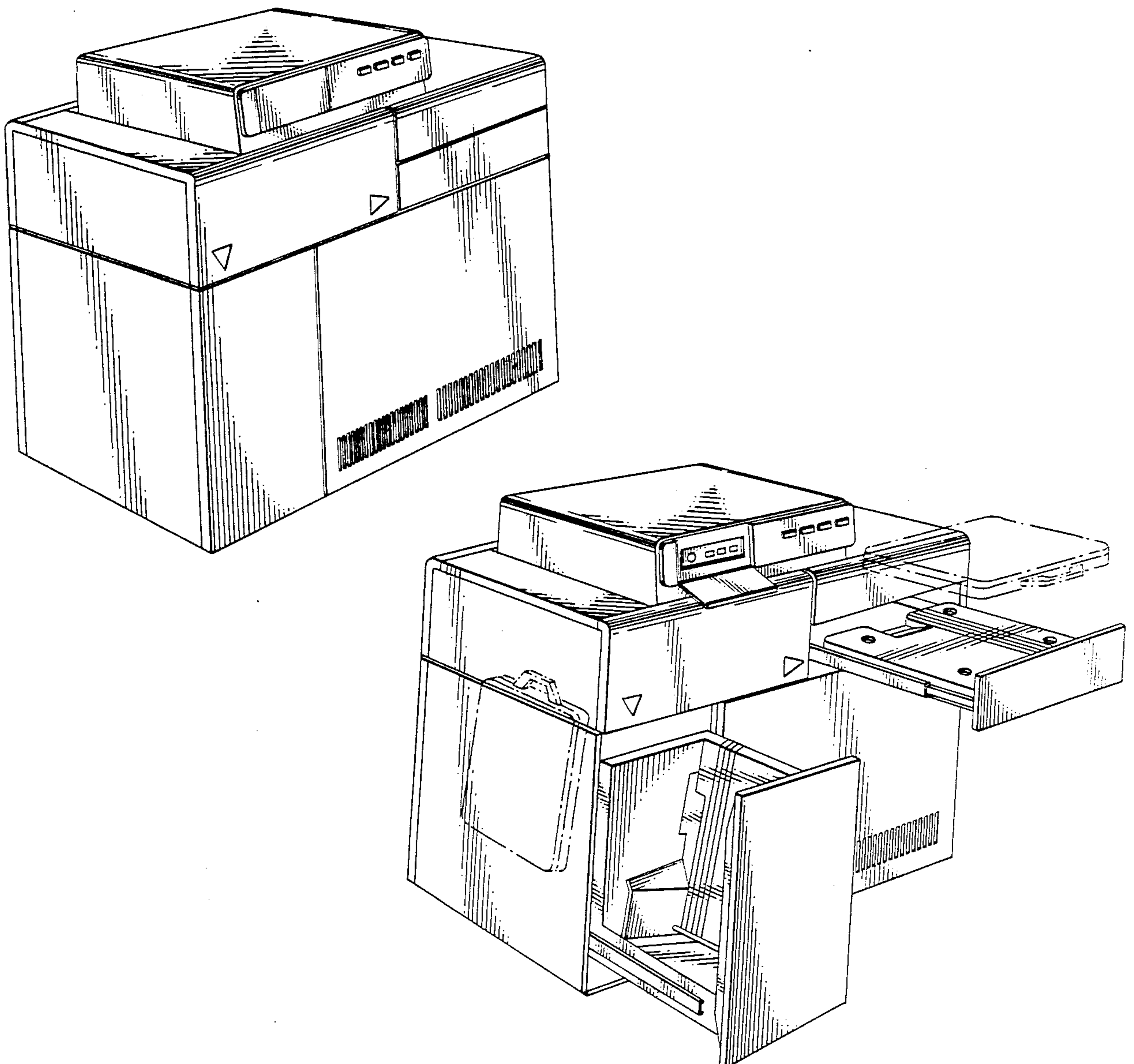


FIG. 1.

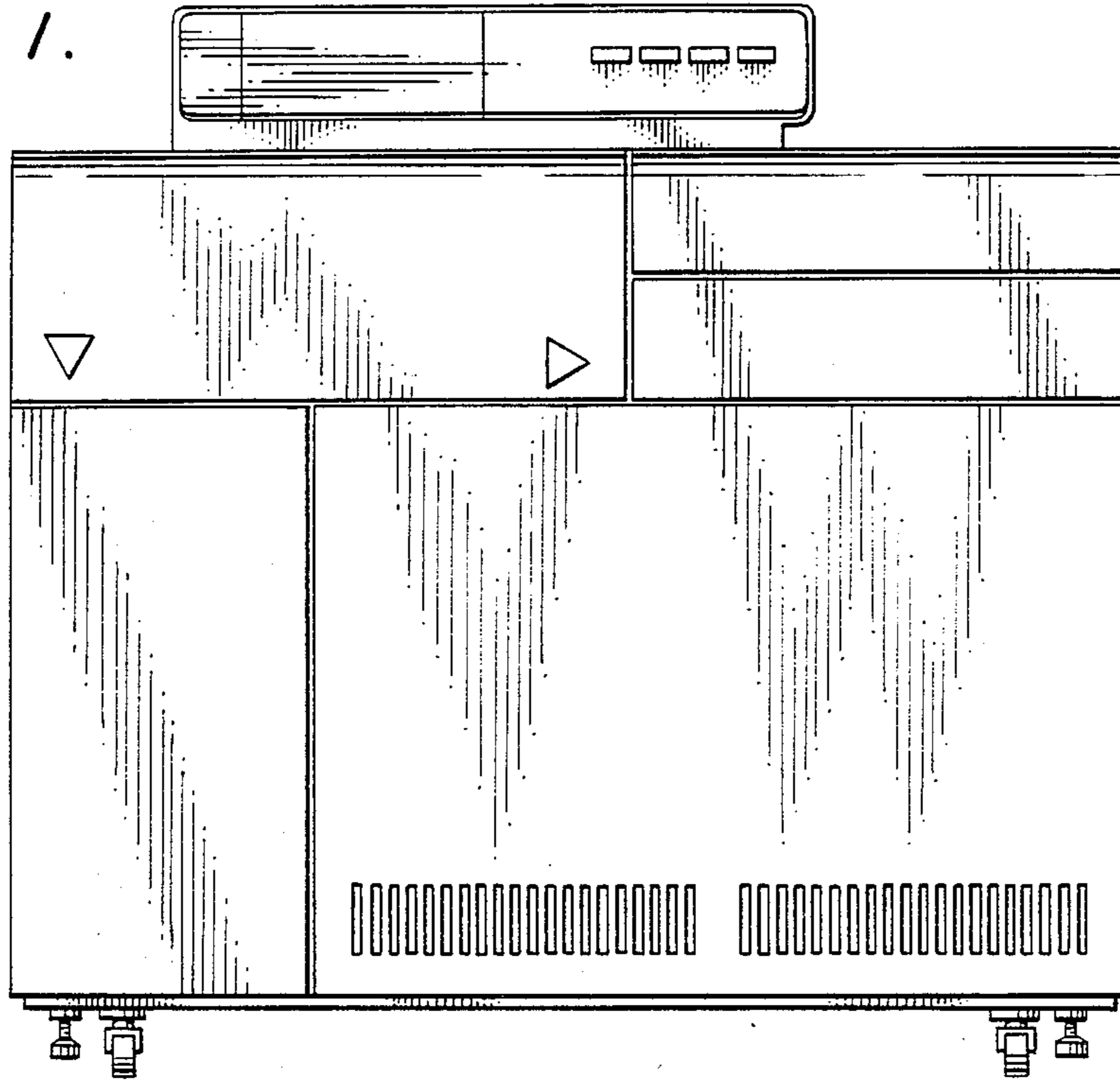


FIG. 2.

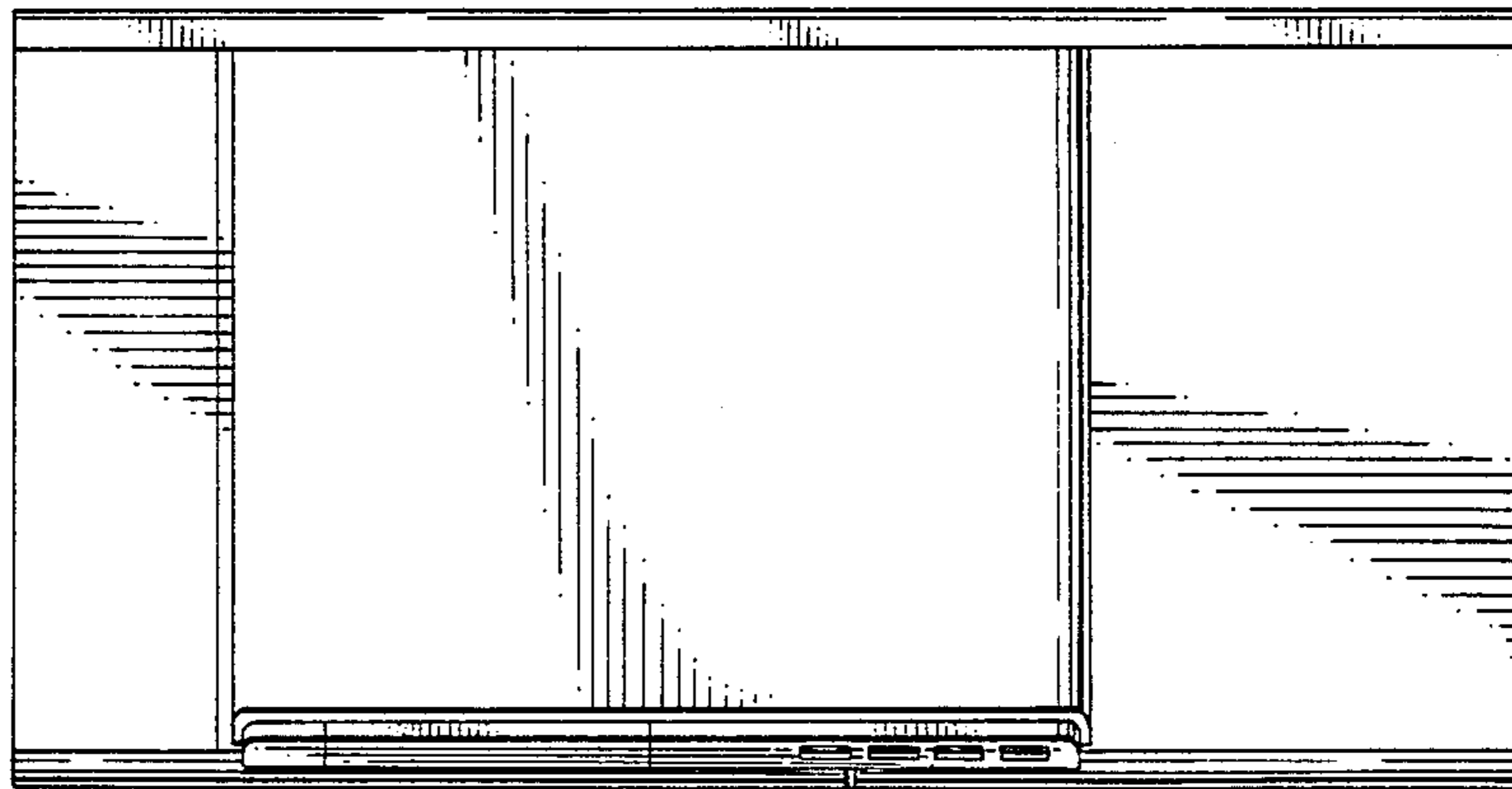


FIG. 3.

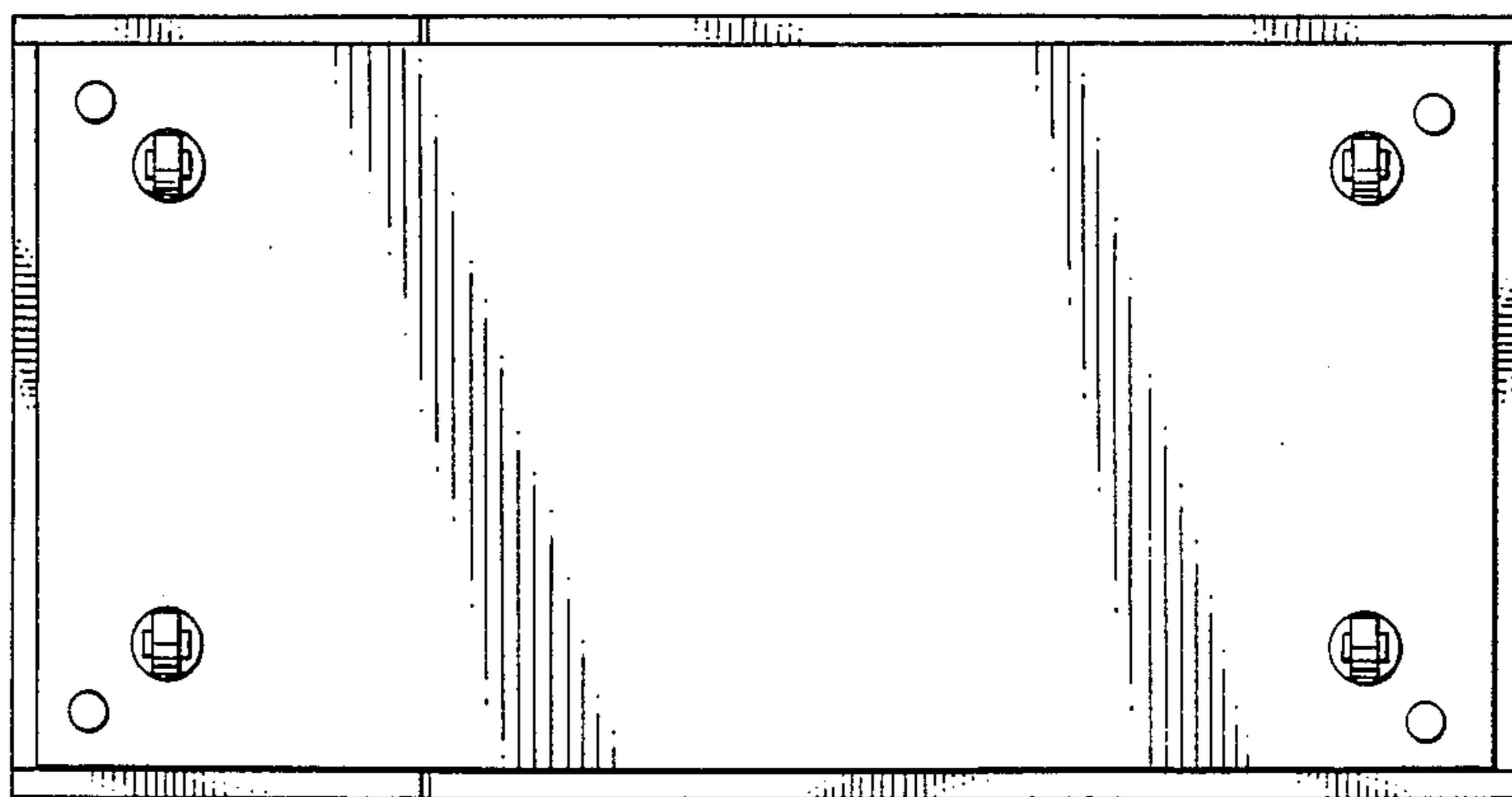


FIG. 4.

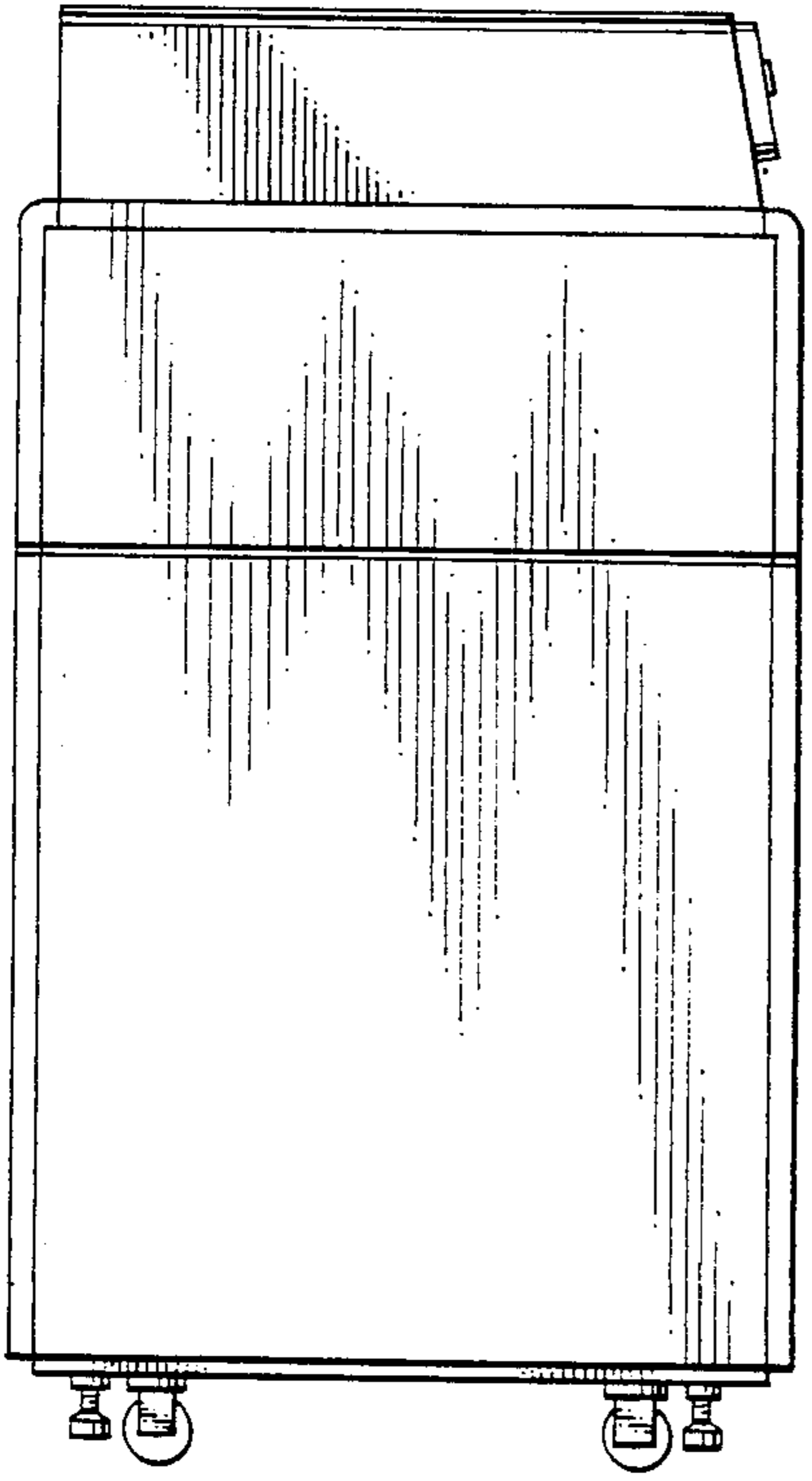


FIG. 5.

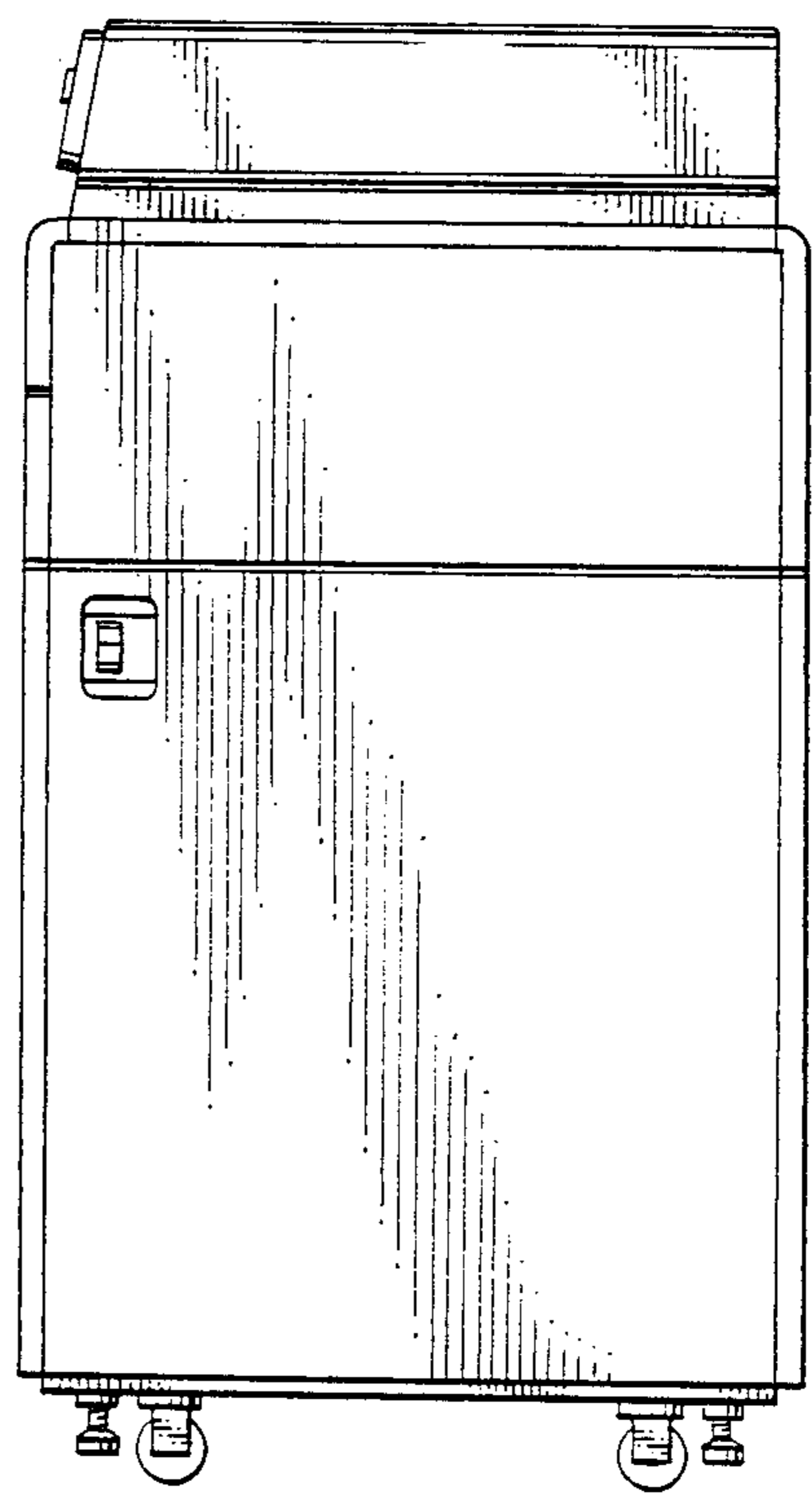


FIG. 7.

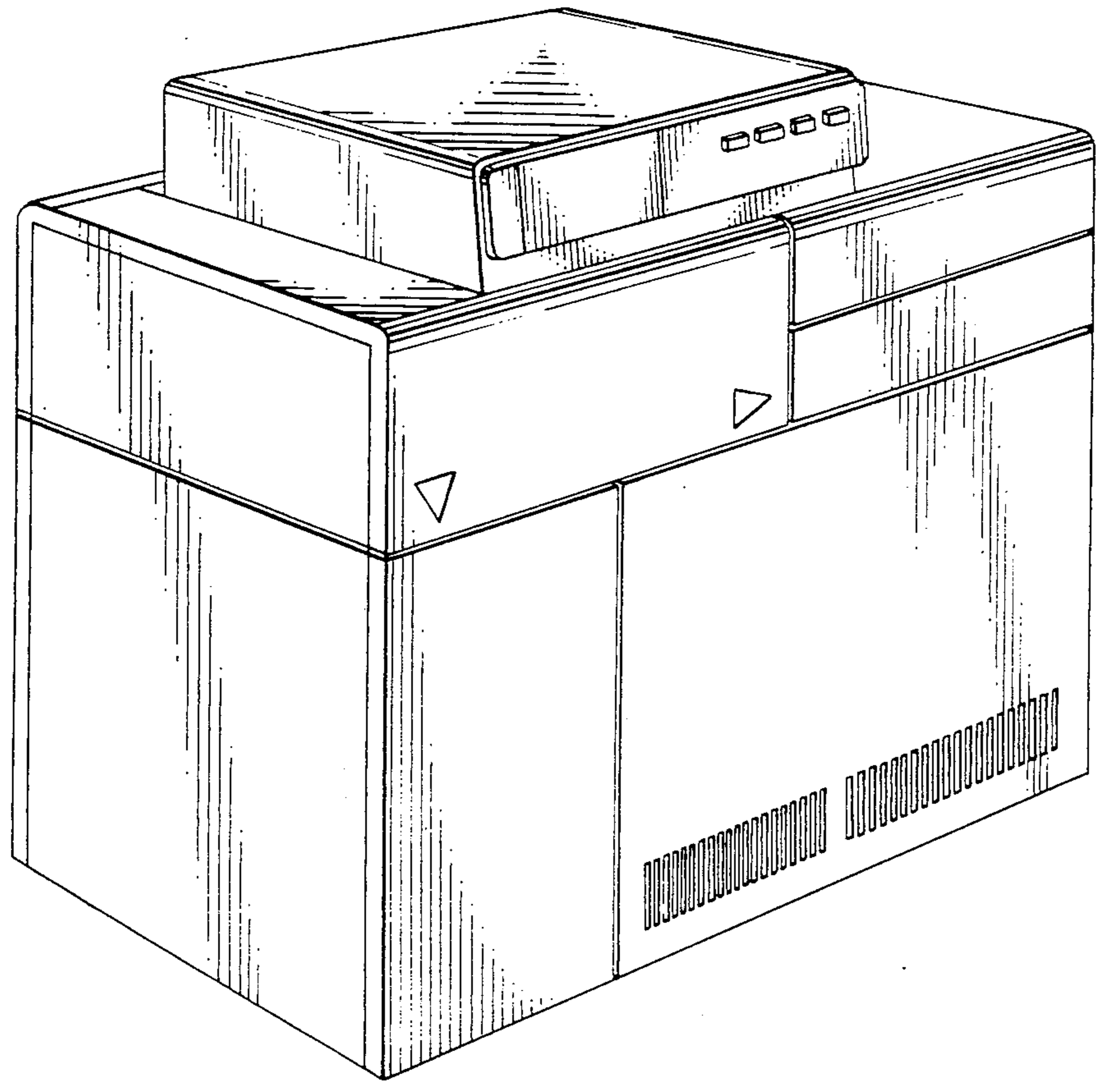


FIG. 6.

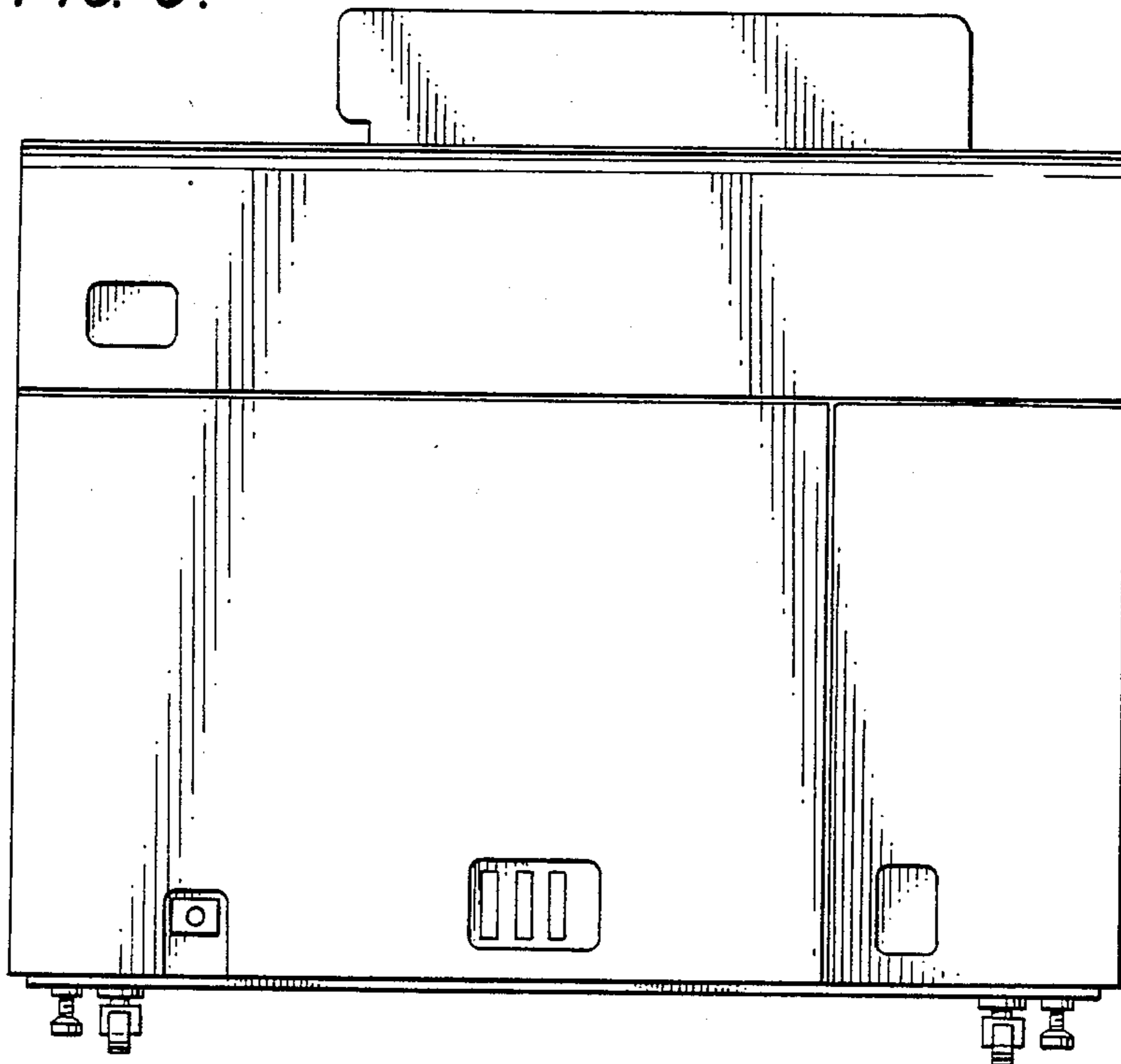


FIG. 8.

