

[54] LAWN TRACTOR

[75] Inventors: Sadao Mizushima; Masahiro Watanabe; Shungo Yorozu, all of Tokyo, Japan

[73] Assignee: Honda Giken Kogyo Kabushiki Kaisha, Tokyo, Japan

[**] Term: 14 Years

[21] Appl. No.: 709,172

[22] Filed: Mar. 7, 1985

[30] Foreign Application Priority Data

Sep. 19, 1984 [JP] Japan 59-38961

[52] U.S. Cl. D15/15

[58] Field of Search D15/15, 22-26; 180/89.12, 900; 56/13.4, 16.7, 202, 206, 320.2, DIG. 10, DIG. 22

[56] References Cited

U.S. PATENT DOCUMENTS

D. 227,392	6/1973	Skyer et al.	D15/15
D. 243,270	2/1977	Ehrlin et al.	D15/15
D. 248,655	7/1978	Klein	D15/15
D. 284,968	8/1986	Watanabe et al.	D15/15
D. 285,078	8/1986	Mizushima et al.	D15/15
3,716,977	2/1973	Jackson	56/202
3,934,392	1/1976	Moery et al.	56/202
4,532,755	8/1985	Schemelin et al.	56/202

4,637,202 1/1987 Lamusga 56/16.6

Primary Examiner—Wallace R. Burke
Assistant Examiner—Ruth Takemoto
Attorney, Agent, or Firm—Wenderoth, Lind & Ponack

[57] CLAIM

The ornamental design for a lawn tractor, substantially as shown.

DESCRIPTION

FIG. 1 is a front elevational view of a lawn tractor showing our new design;
FIG. 2 is a rear elevational view thereof;
FIG. 3 is a side elevational view thereof;
FIG. 4 is a top plan view thereof;
FIG. 5 is a side elevational view thereof, of the opposite side of FIG. 3;
FIG. 6 is a bottom plan view thereof;
FIG. 7 is a front perspective view thereof;
FIG. 8 is a rear perspective view thereof;
FIG. 9 is a front elevational view thereof, with the grass bag and chute attached;
FIG. 10 is a rear elevational view thereof;
FIG. 11 is a side elevational view thereof;
FIG. 12 is a side elevational view thereof, of the opposite side of FIG. 11; and
FIG. 13 is a front perspective view thereof.
The omission of the grass bag and chute in FIGS. 1-8 is for clarity of illustration only.

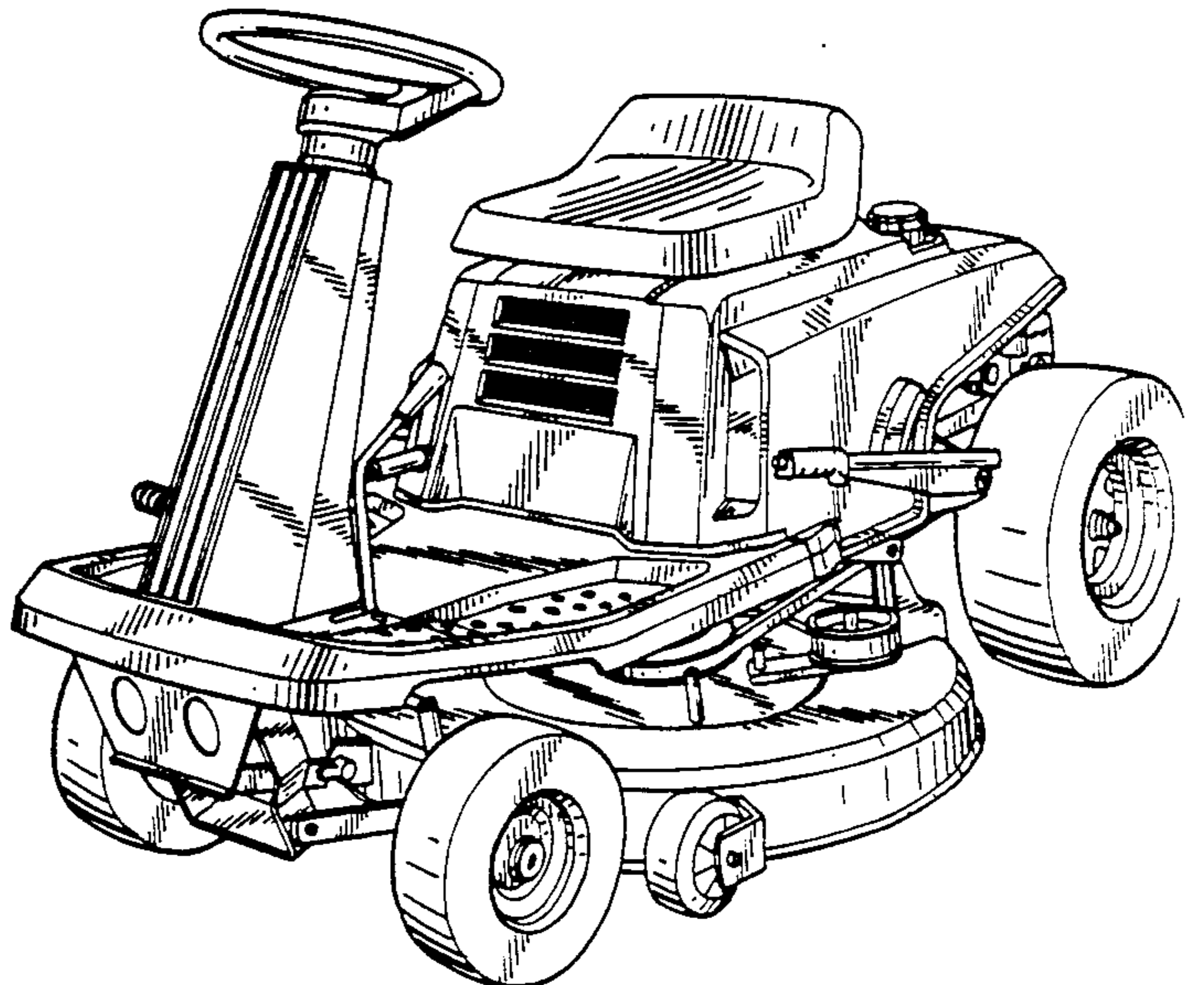
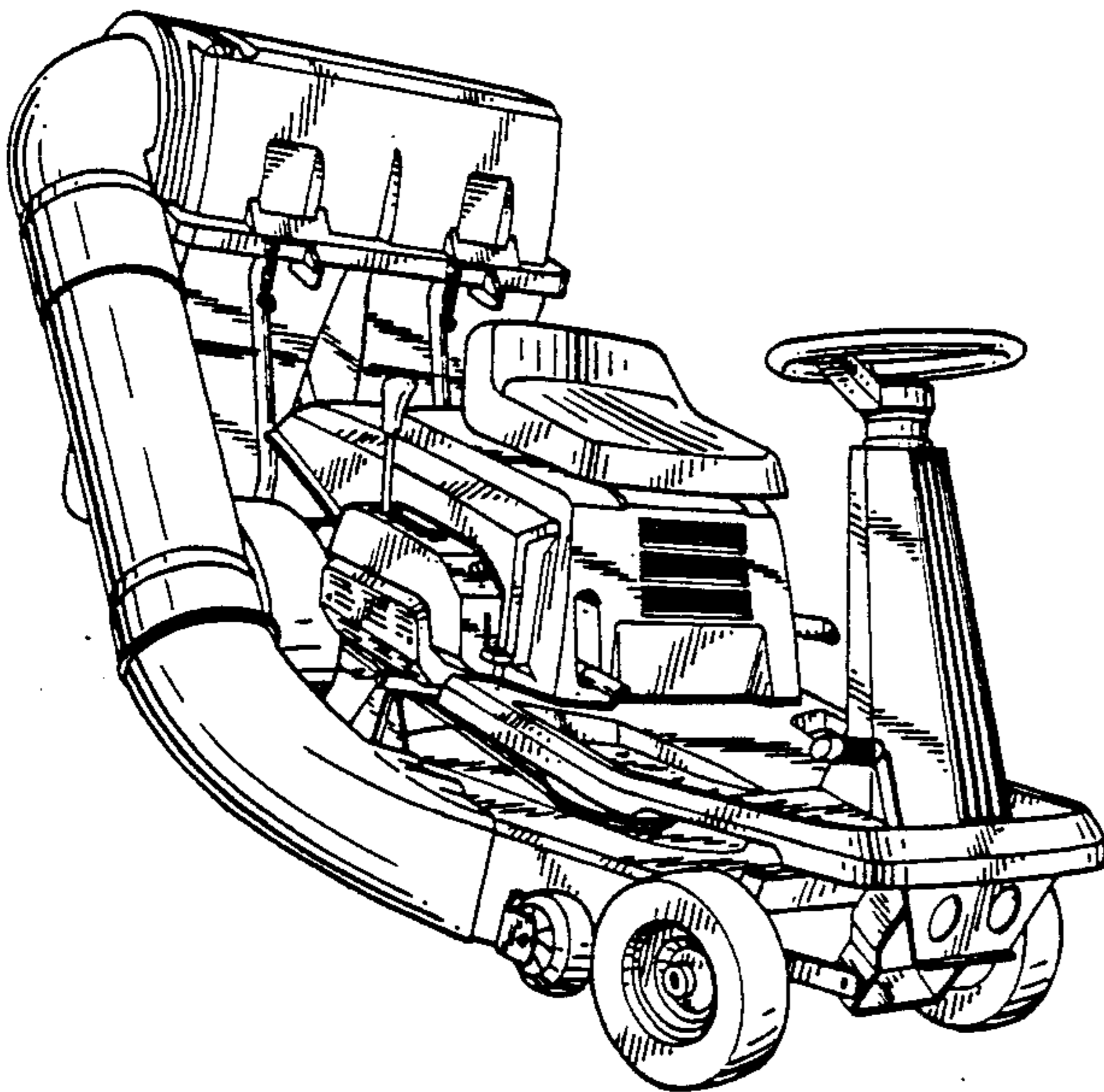


FIG. 1

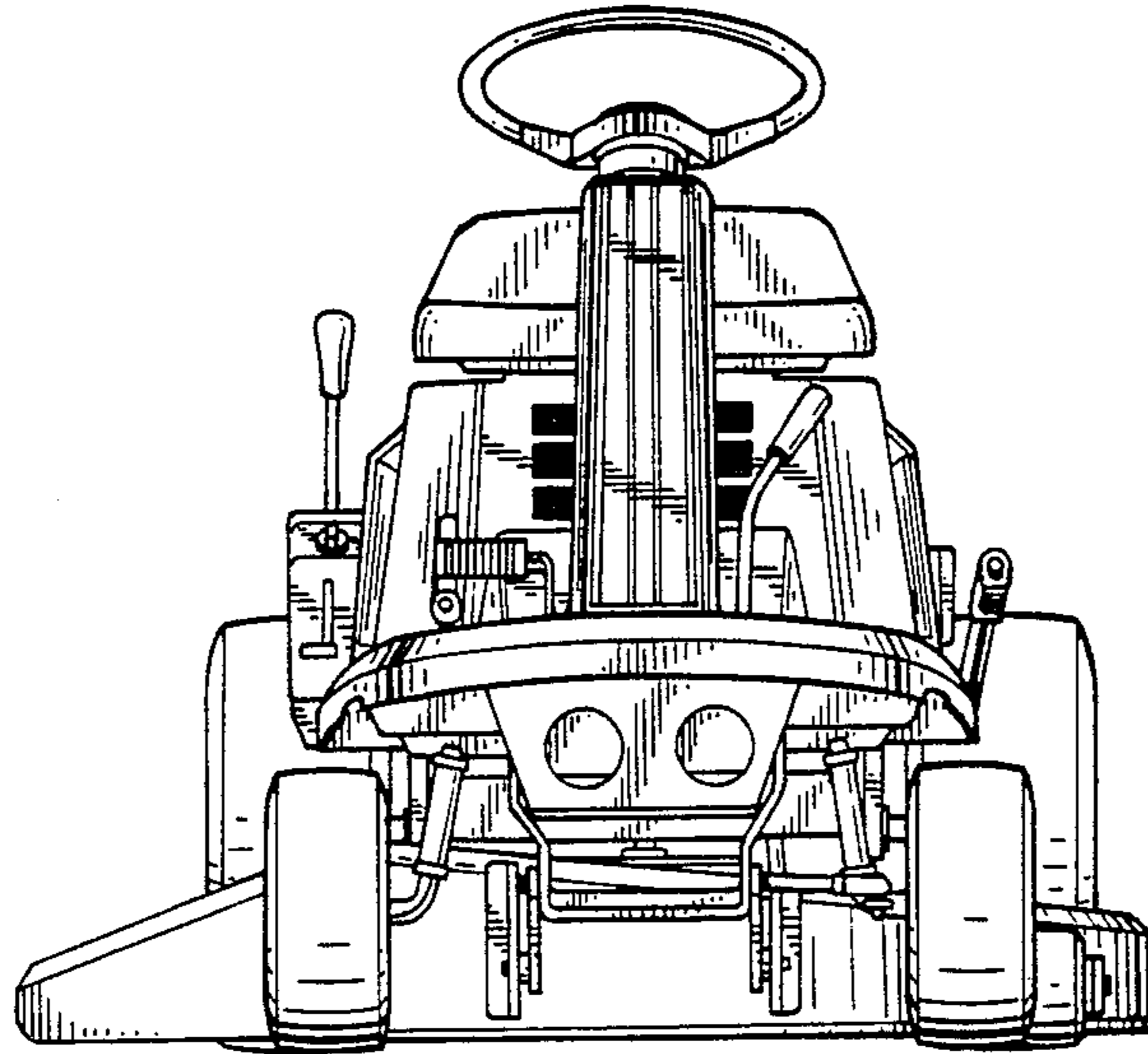


FIG. 2

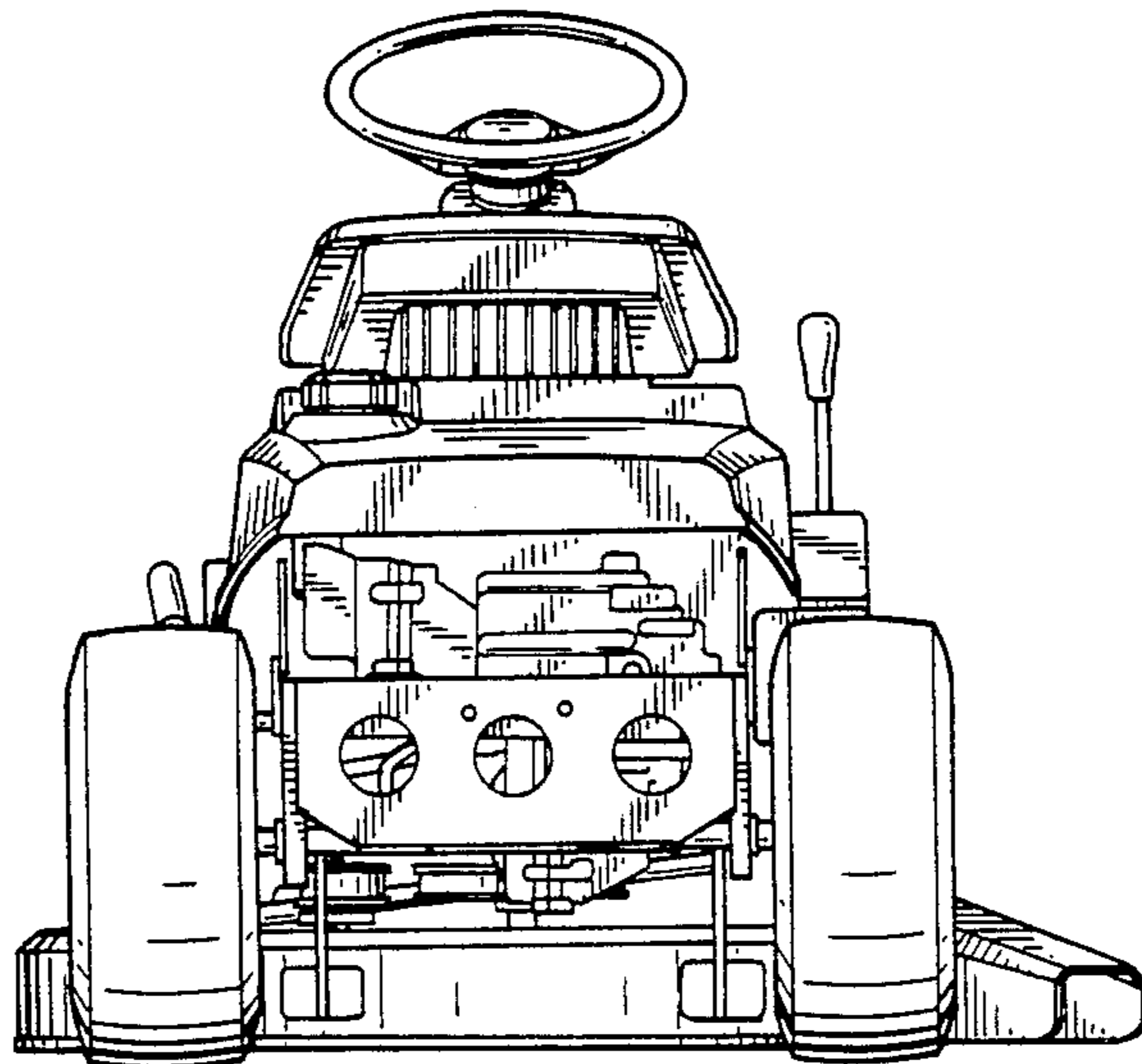


FIG. 3

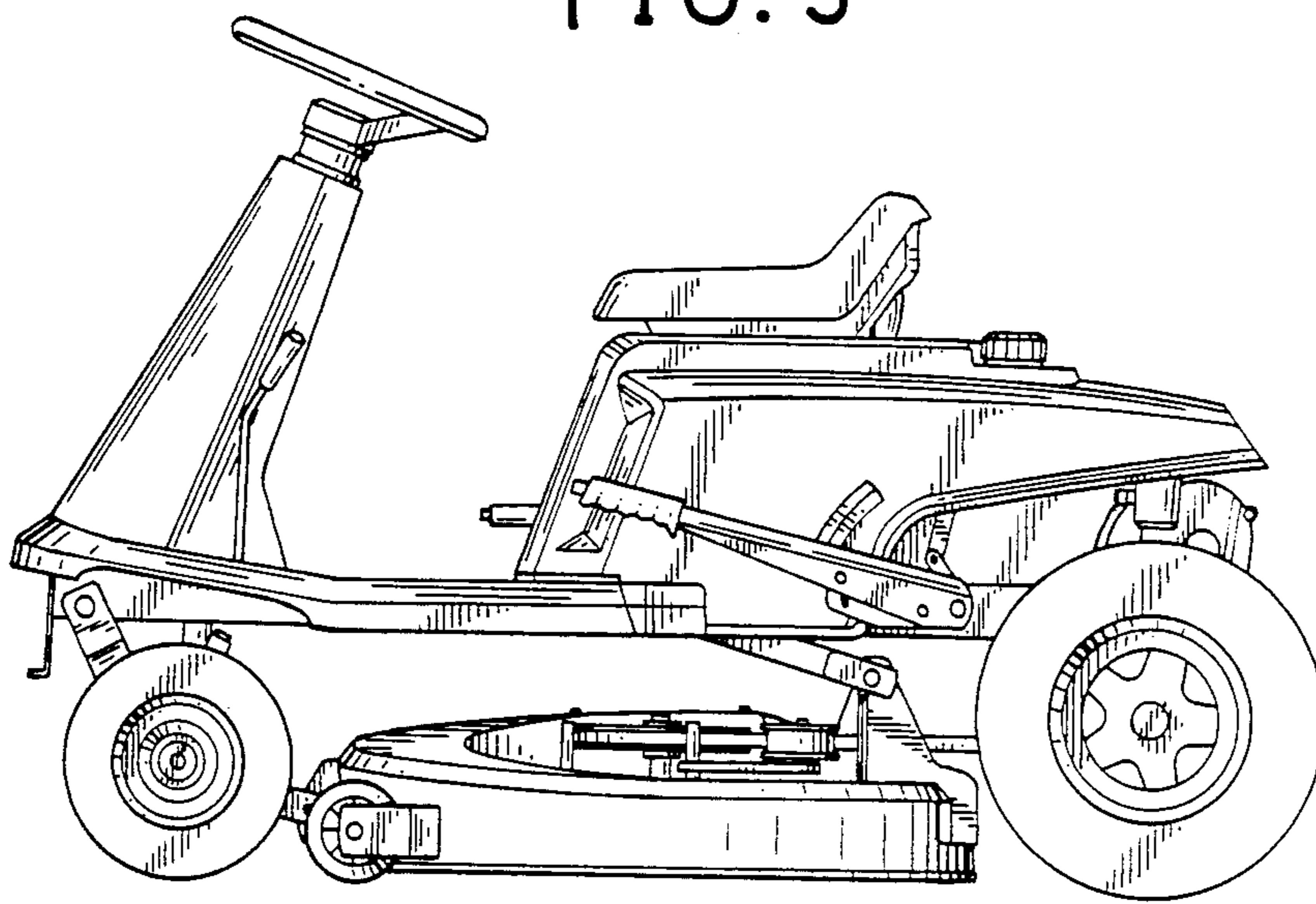


FIG. 4

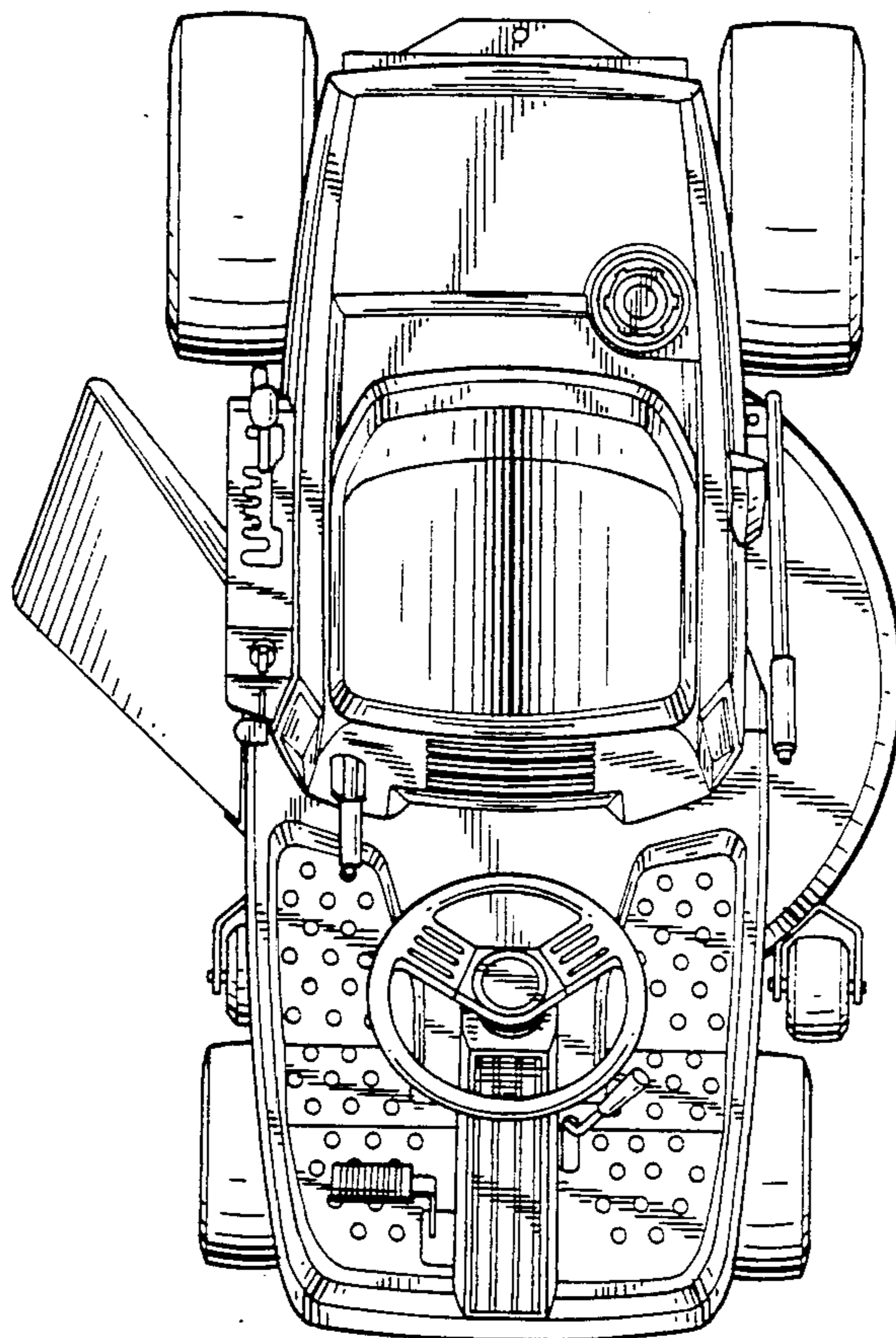


FIG. 5

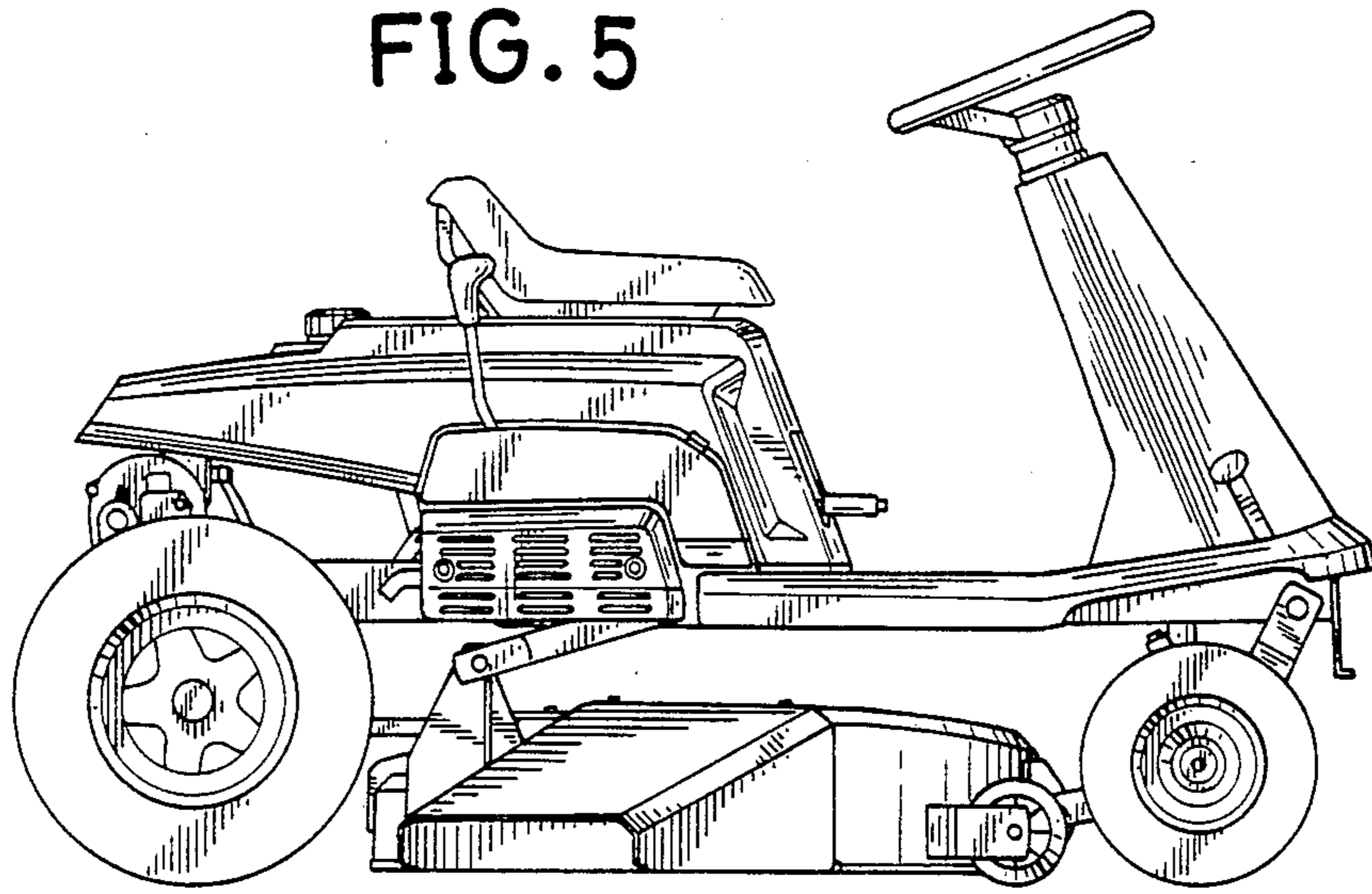


FIG. 6

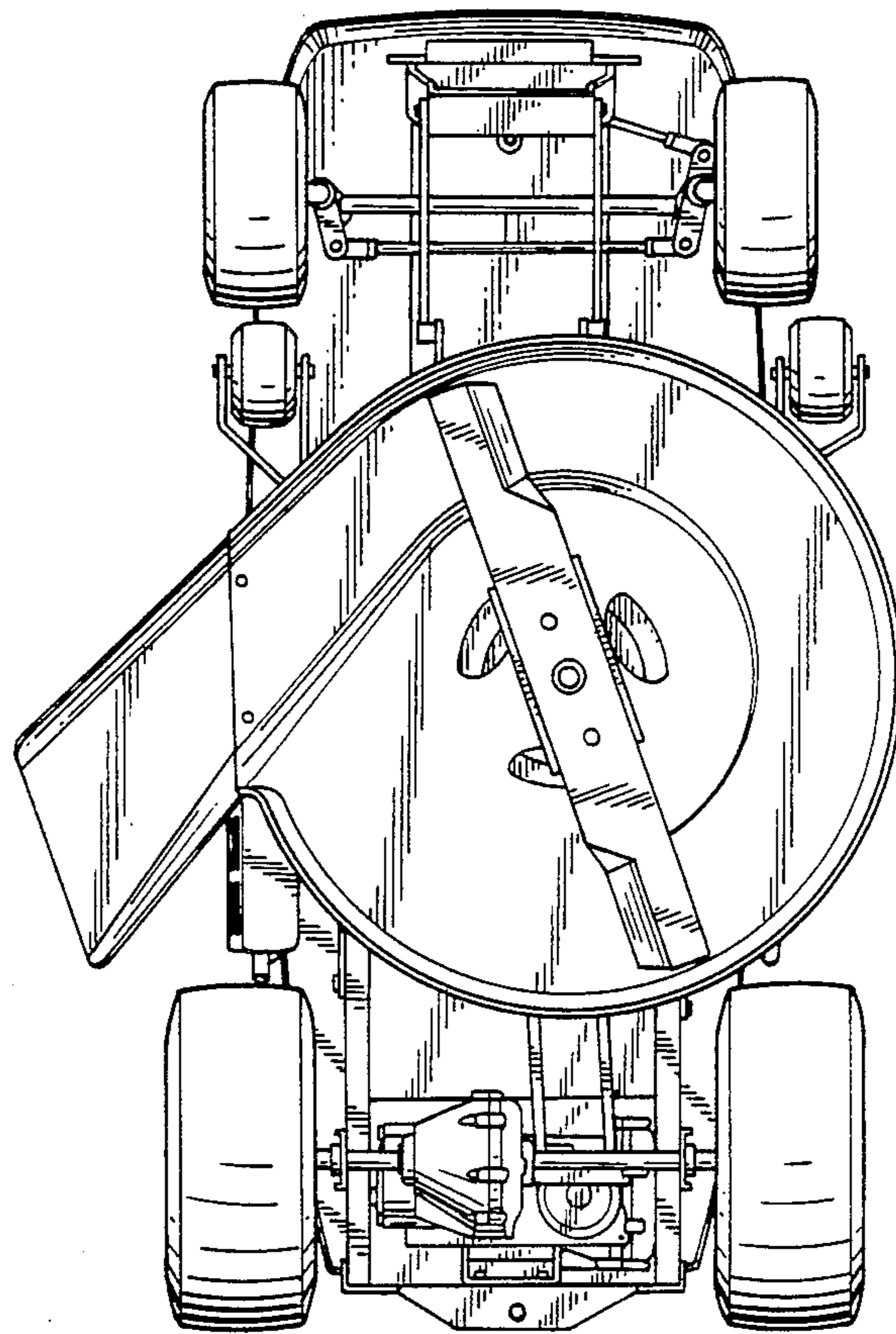


FIG. 7

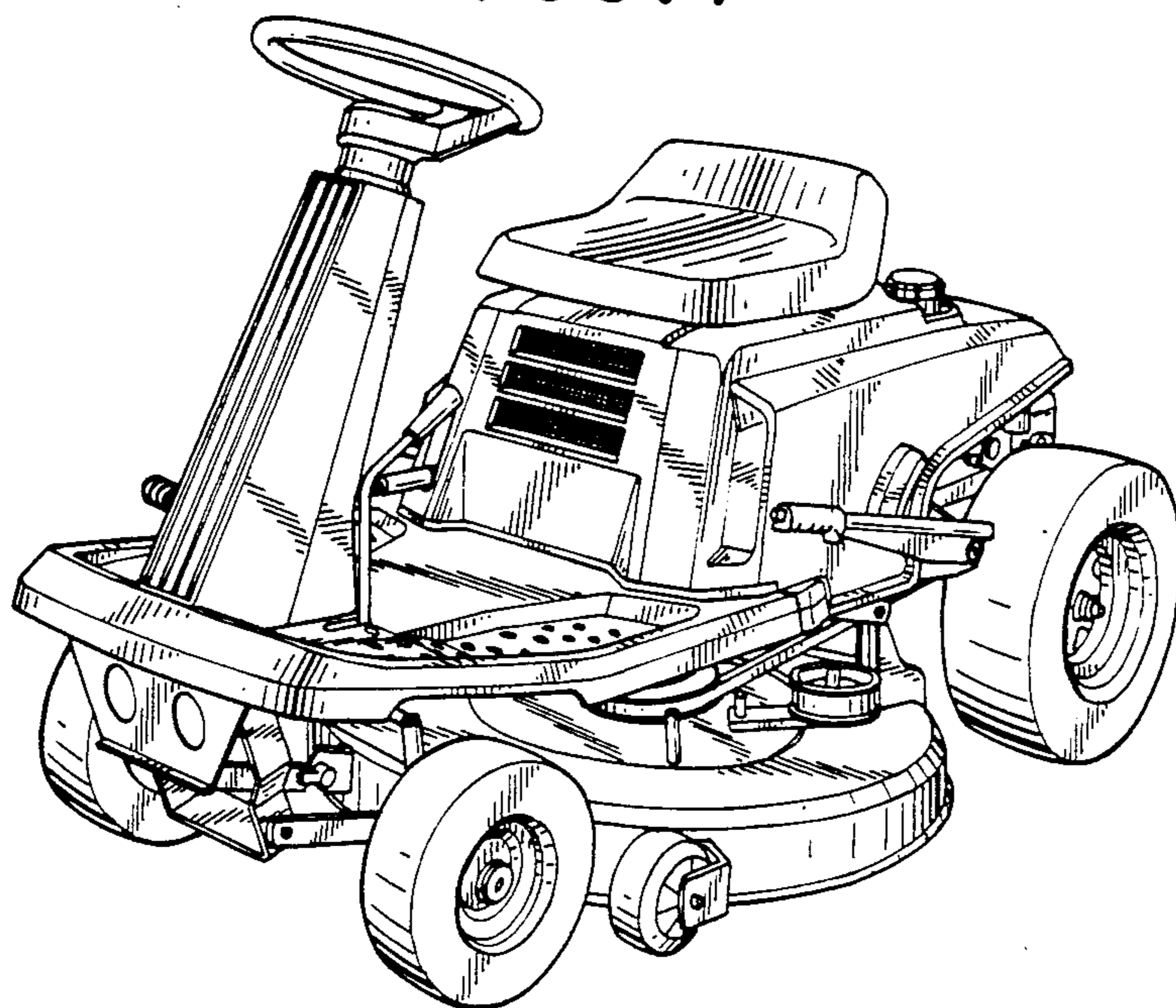


FIG. 8

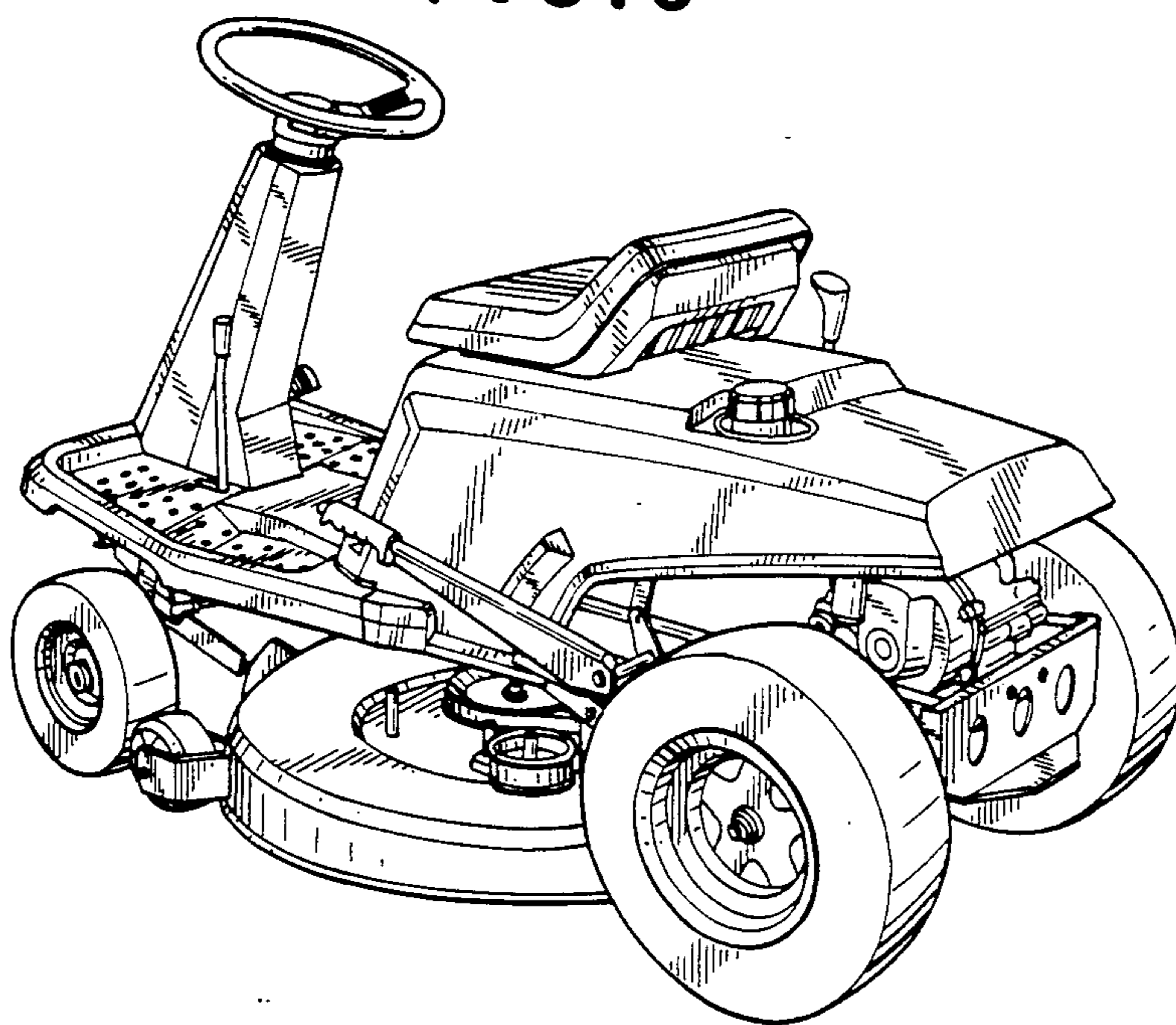


FIG. 9

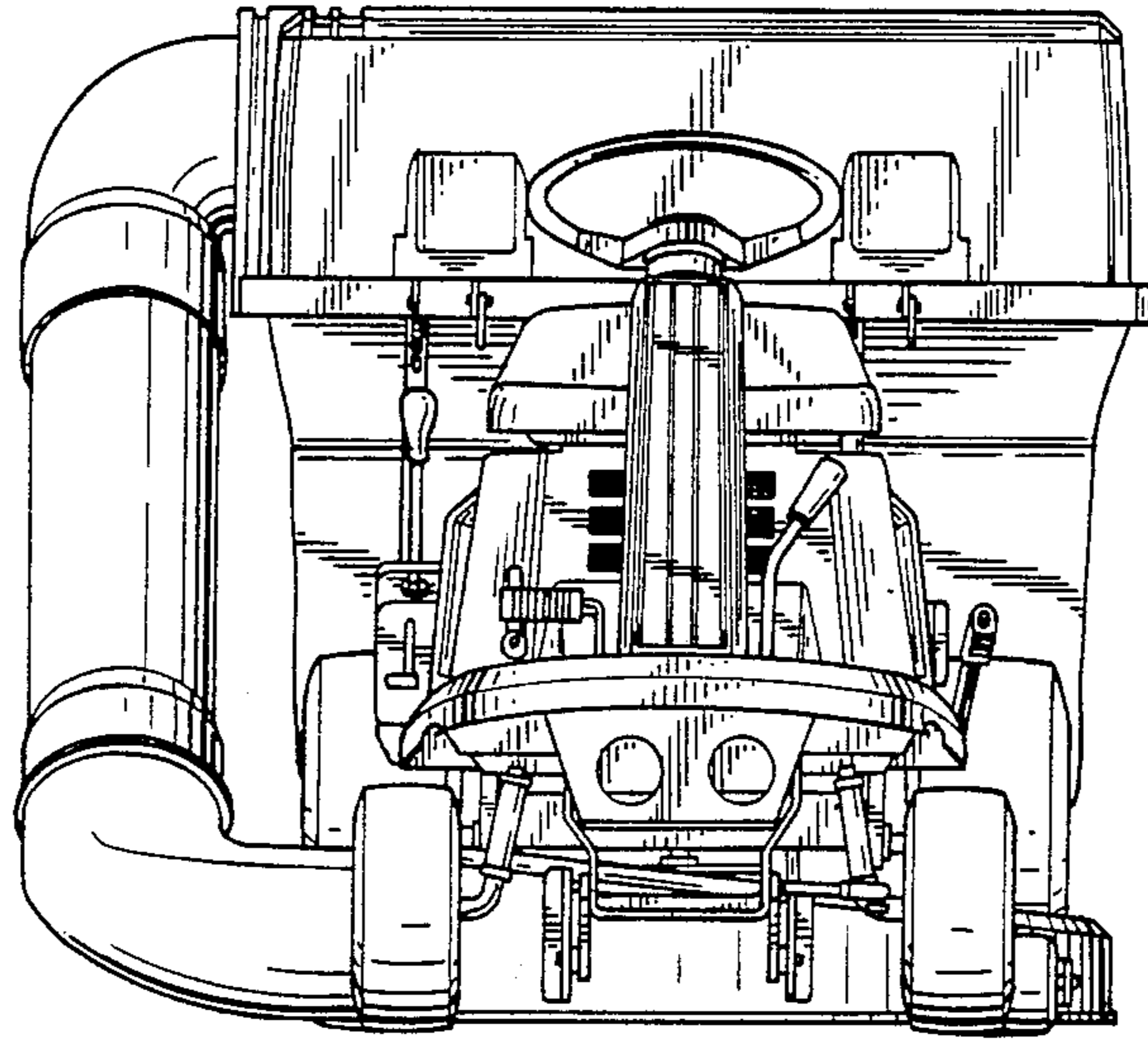


FIG. 10

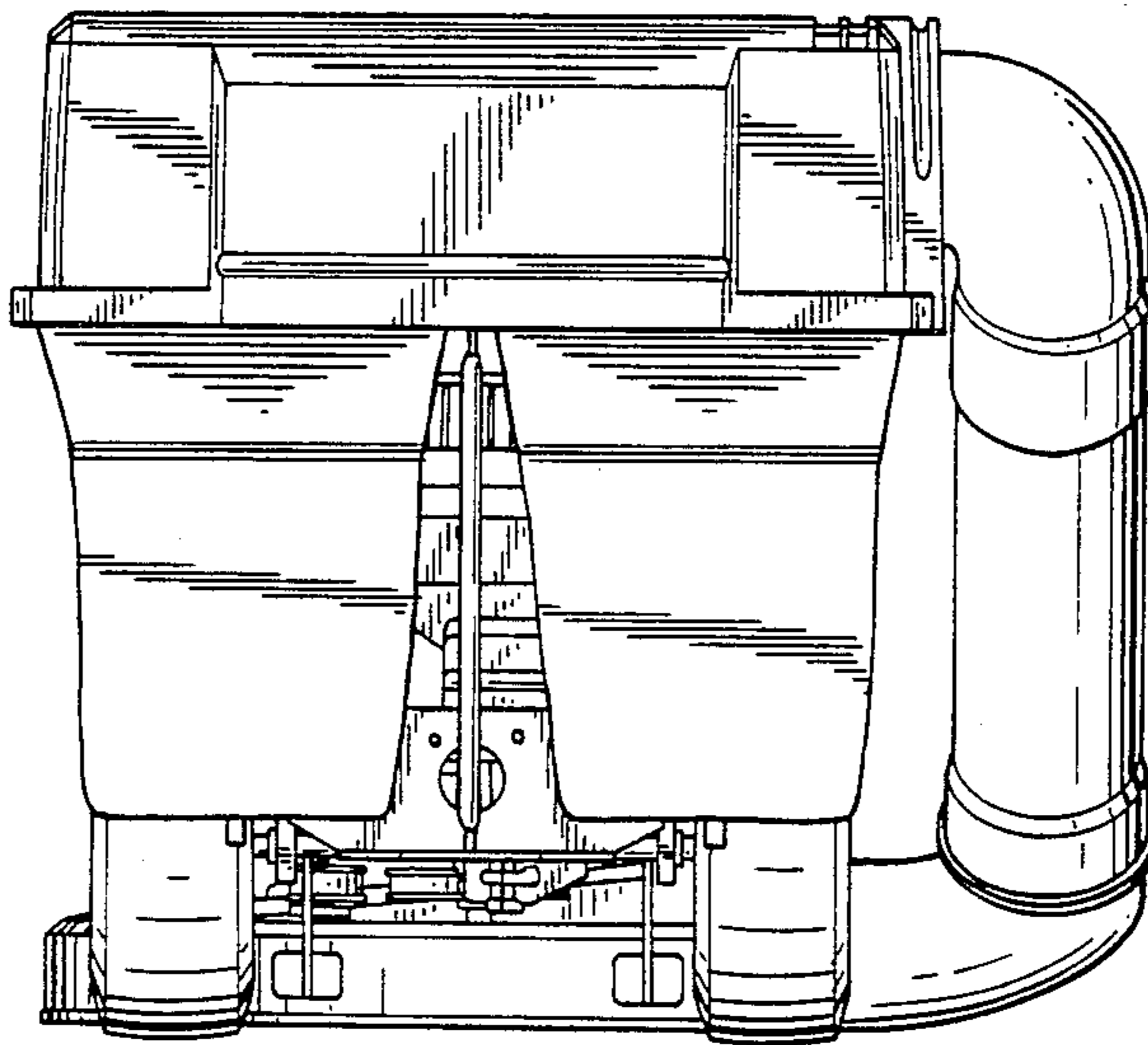


FIG. 11

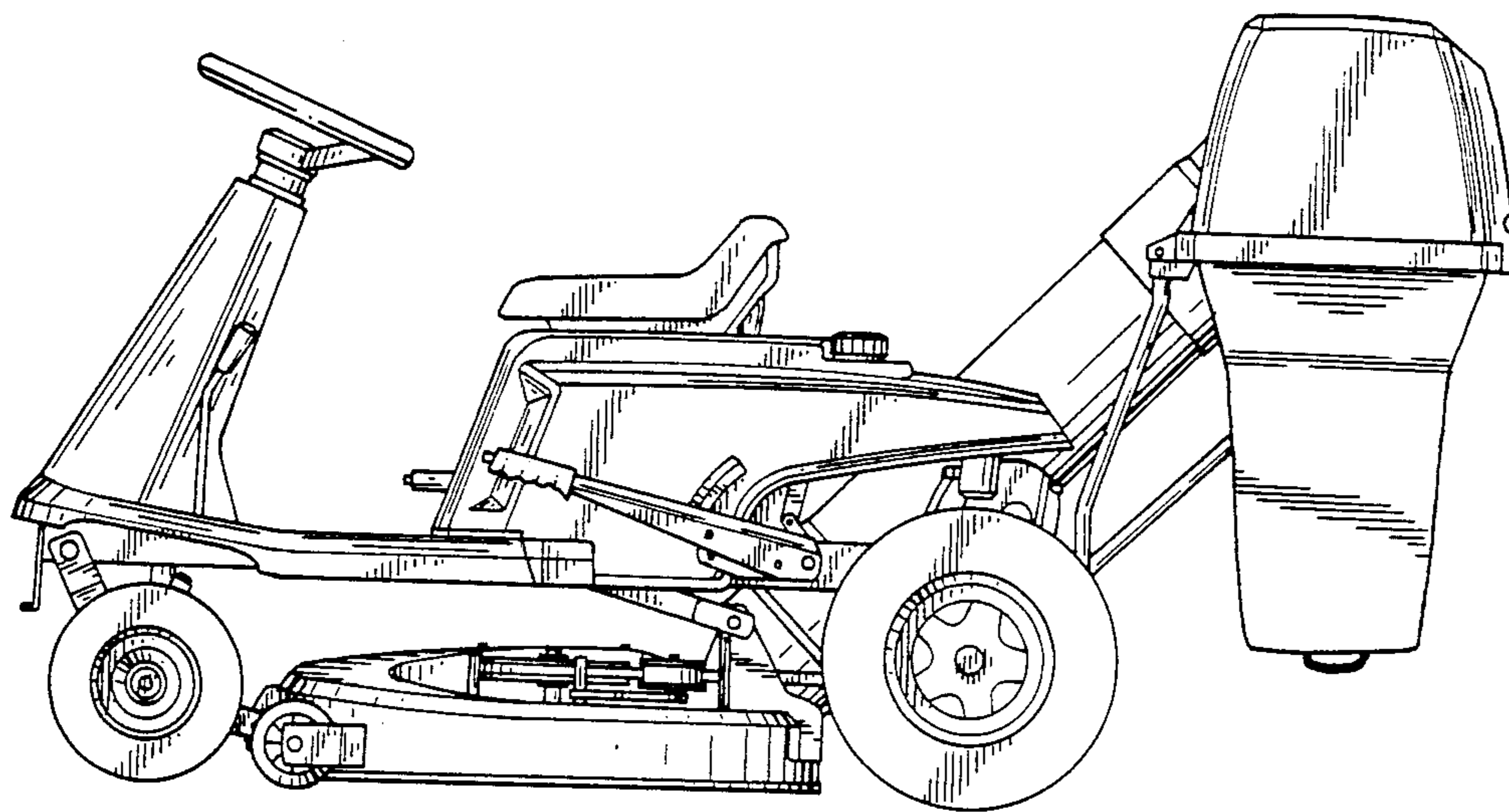


FIG. 12

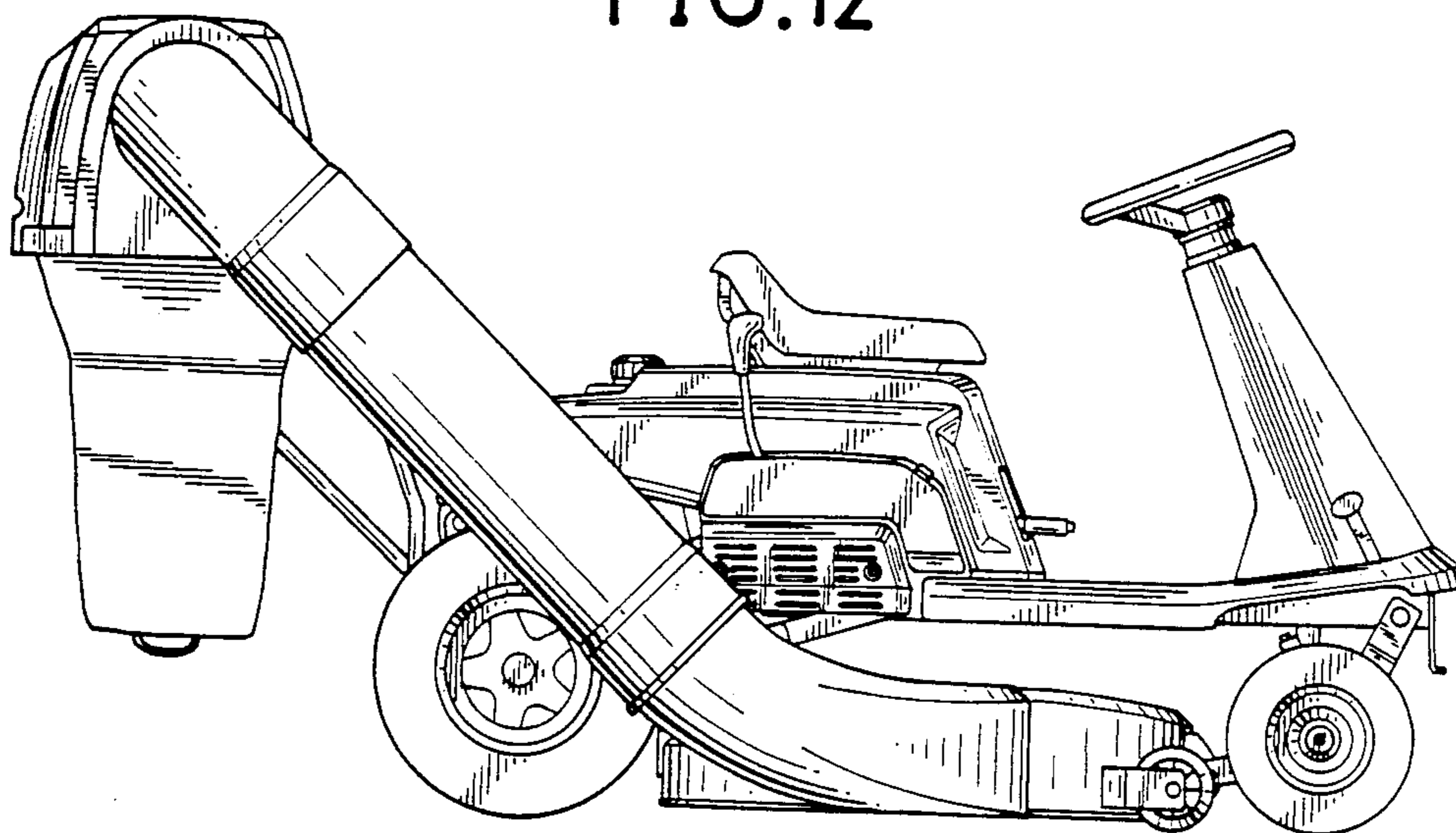


FIG. 13

