

[54] PORTABLE AIR COMPRESSOR OR SIMILAR ARTICLE

D. 281,609 12/1985 Herbst ..... D15/9

[76] Inventor: James Liou, No. 261, Sec. 1, Po Ai Rd., Chia I City, Taiwan

[\*\*] Term: 14 Years

[21] Appl. No.: 922,135

[22] Filed: Oct. 22, 1986

[30] Foreign Application Priority Data

Apr. 30, 1986 [TW] Taiwan ..... 75302174

[52] U.S. Cl. .... D15/9

[58] Field of Search ..... D15/7, 9; 417/229, 234, 417/321, 410-411, 572

[56] References Cited

U.S. PATENT DOCUMENTS

- D. 270,733 9/1983 Davis ..... D15/9
- D. 273,789 5/1984 Davis ..... D15/9
- D. 273,958 5/1984 Mariol ..... D15/9
- D. 280,993 10/1985 Mariol ..... D15/9

OTHER PUBLICATIONS

Grainger's catalogue No. 338—Spring 1974, p. 353—“Comb. Oilless Compressors & Vacuum Pumps, 1/3 hp.”

Primary Examiner—Wallace R. Burke

Assistant Examiner—Brian N. Vinson

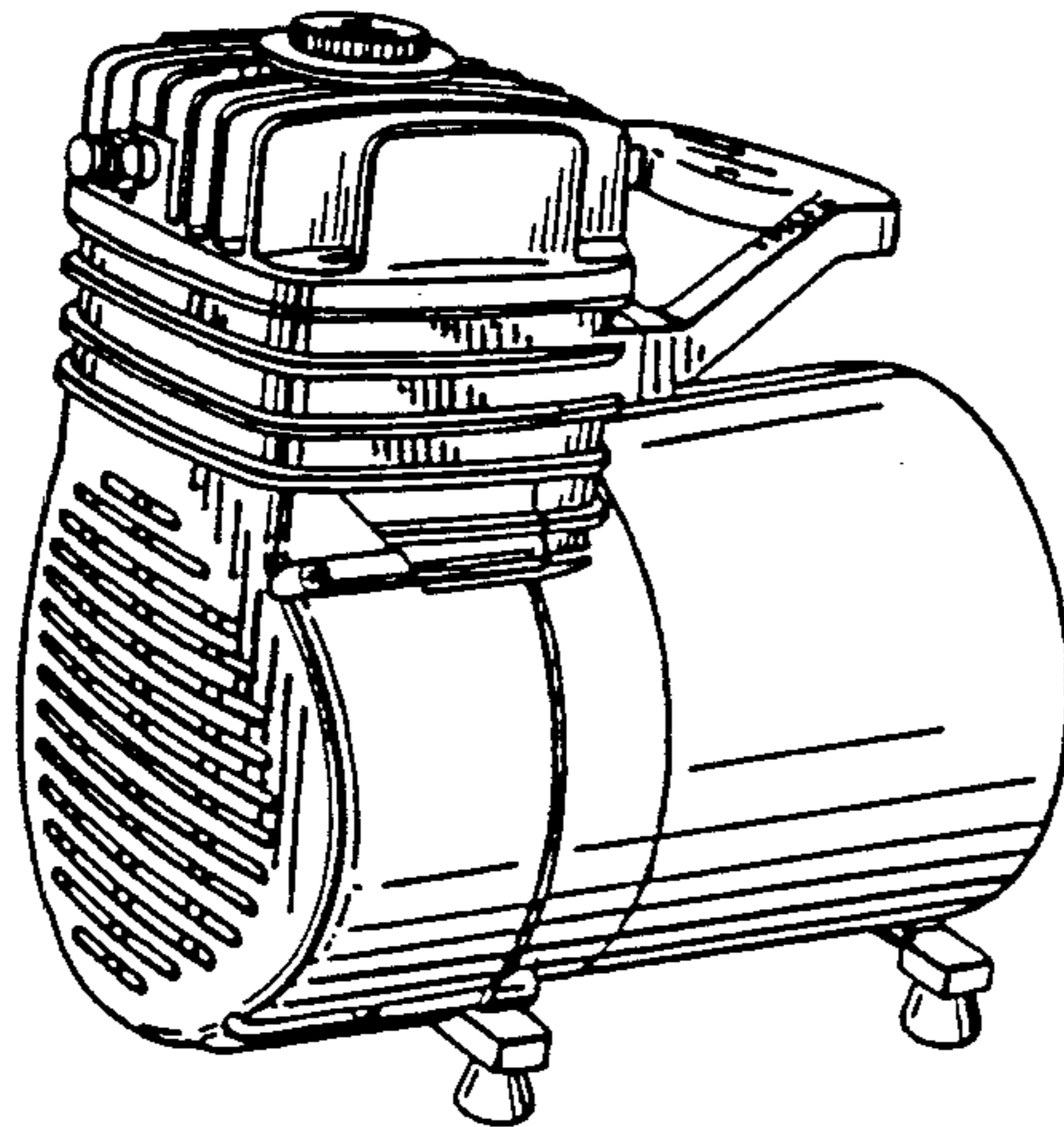
Attorney, Agent, or Firm—Royslance, Abrams, Berdo & Goodman

[57] CLAIM

The ornamental design for portable air compressor or similar article, as shown and described.

DESCRIPTION

FIG. 1 is a front elevational view of portable air compressor or similar article showing my new design;  
 FIG. 2 is a rear elevational view thereof;  
 FIG. 3 is a left side elevational view thereof;  
 FIG. 4 is a right side elevational view thereof;  
 FIG. 5 is a top plan view thereof;  
 FIG. 6 is a bottom plan view thereof; and  
 FIG. 7 is a perspective view thereof.



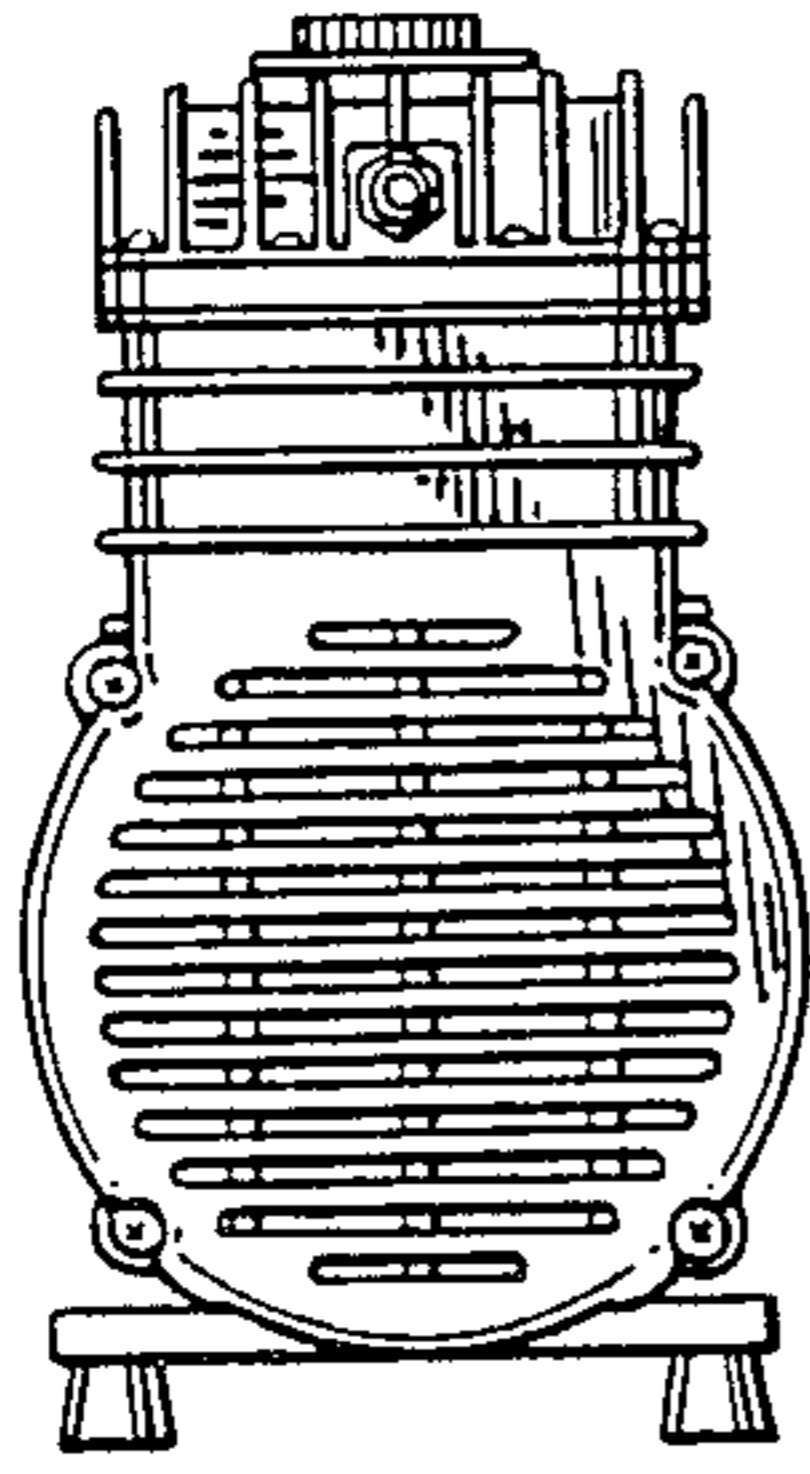


FIG. 1

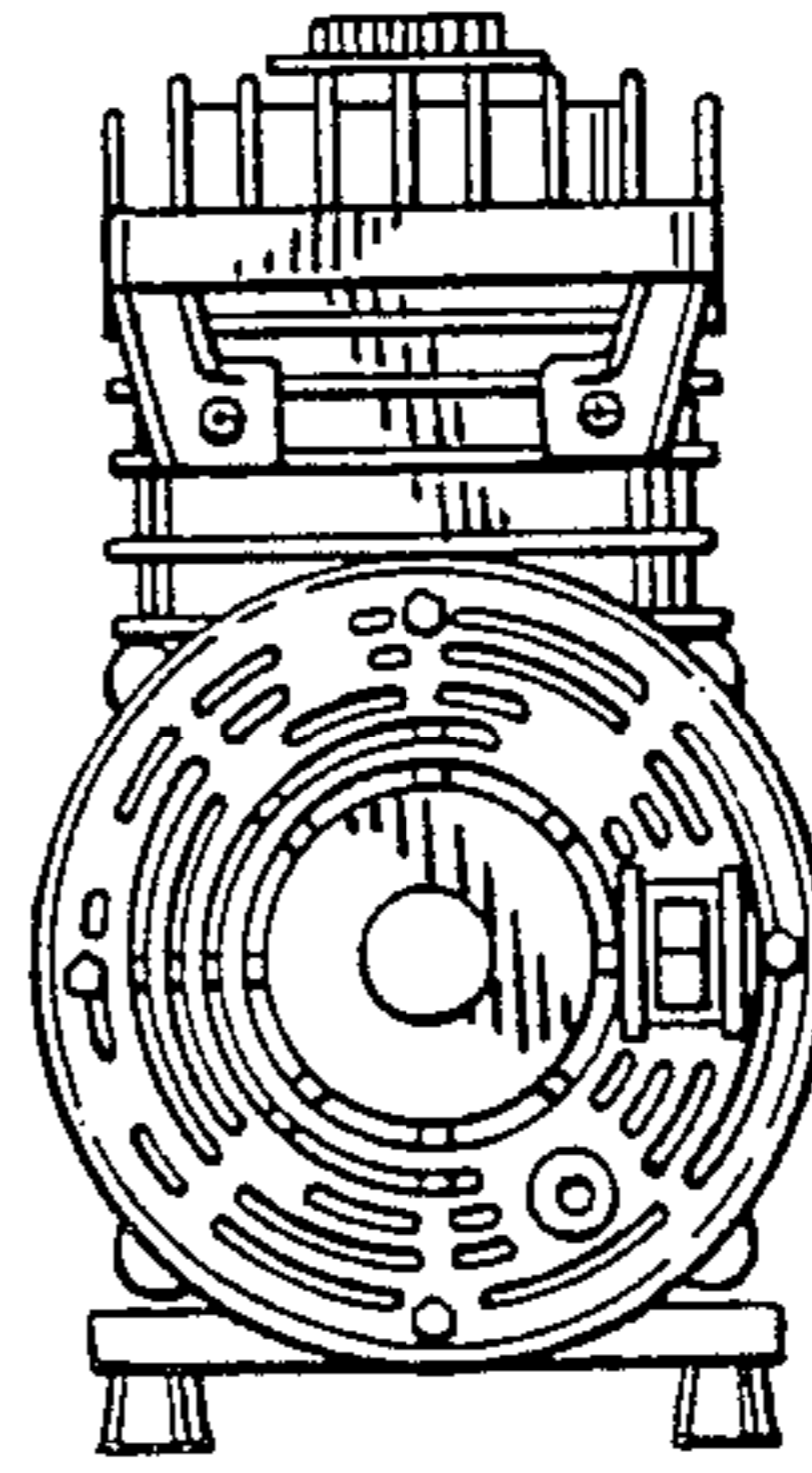


FIG. 2

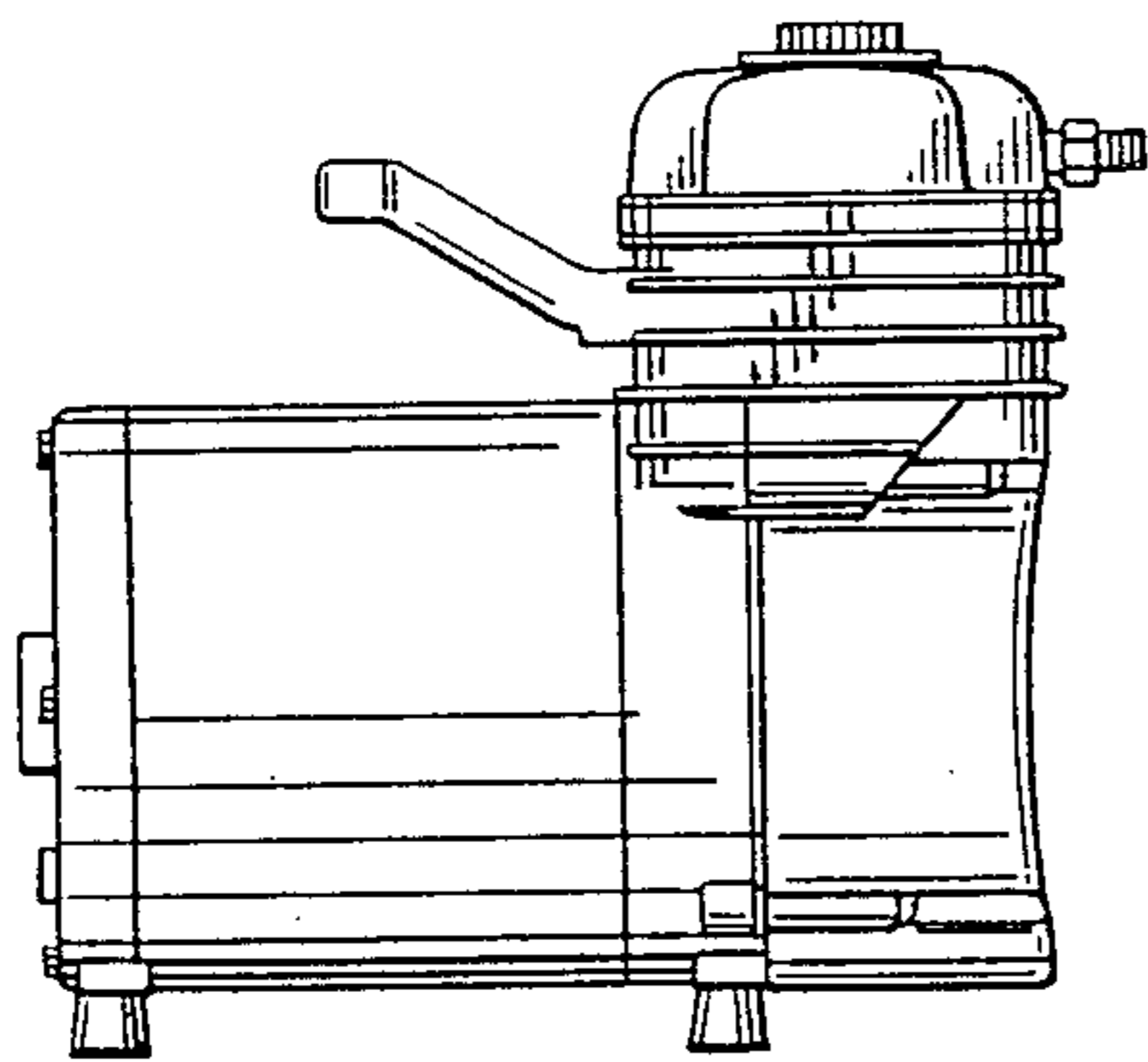


FIG. 3

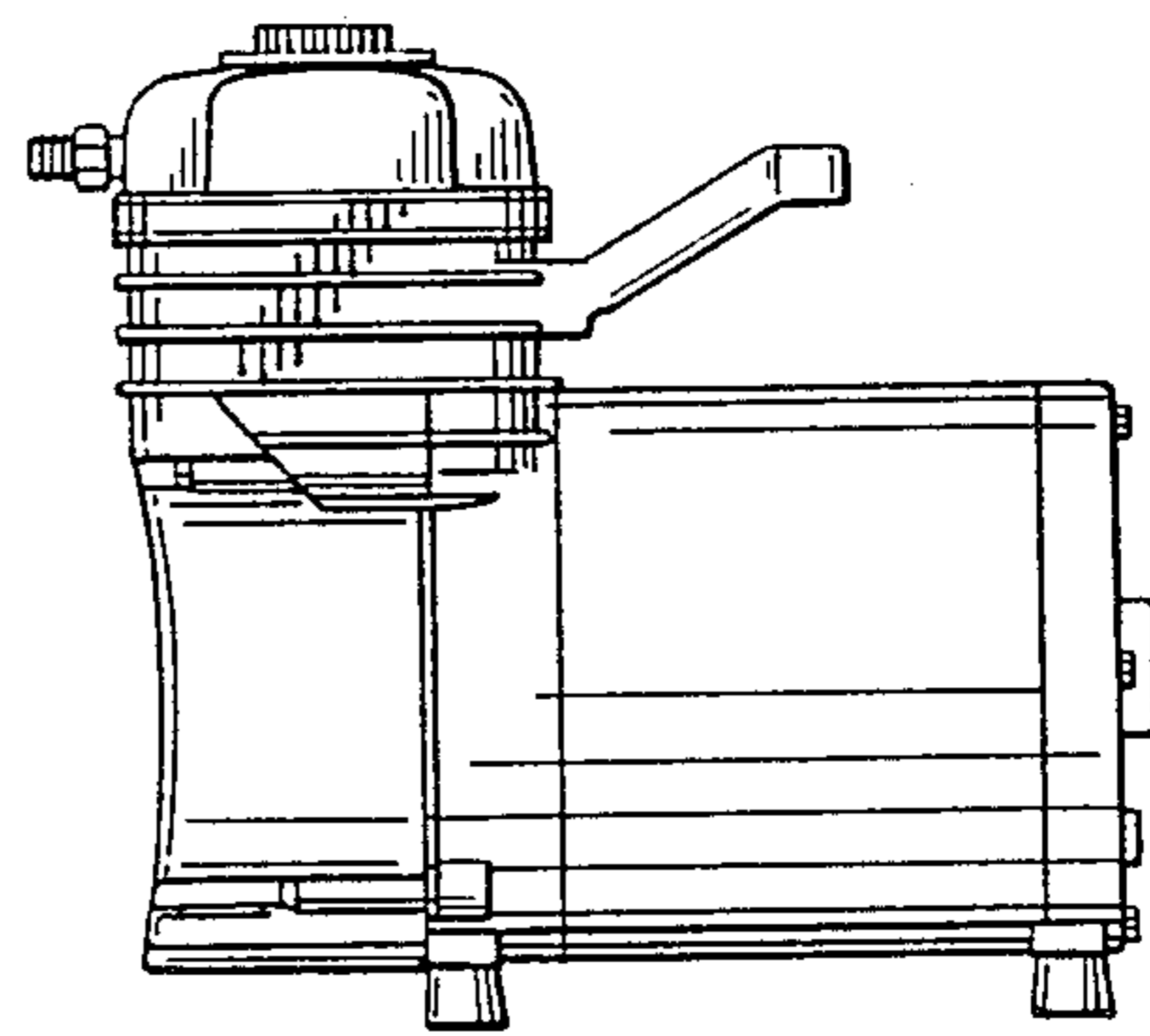


FIG. 4

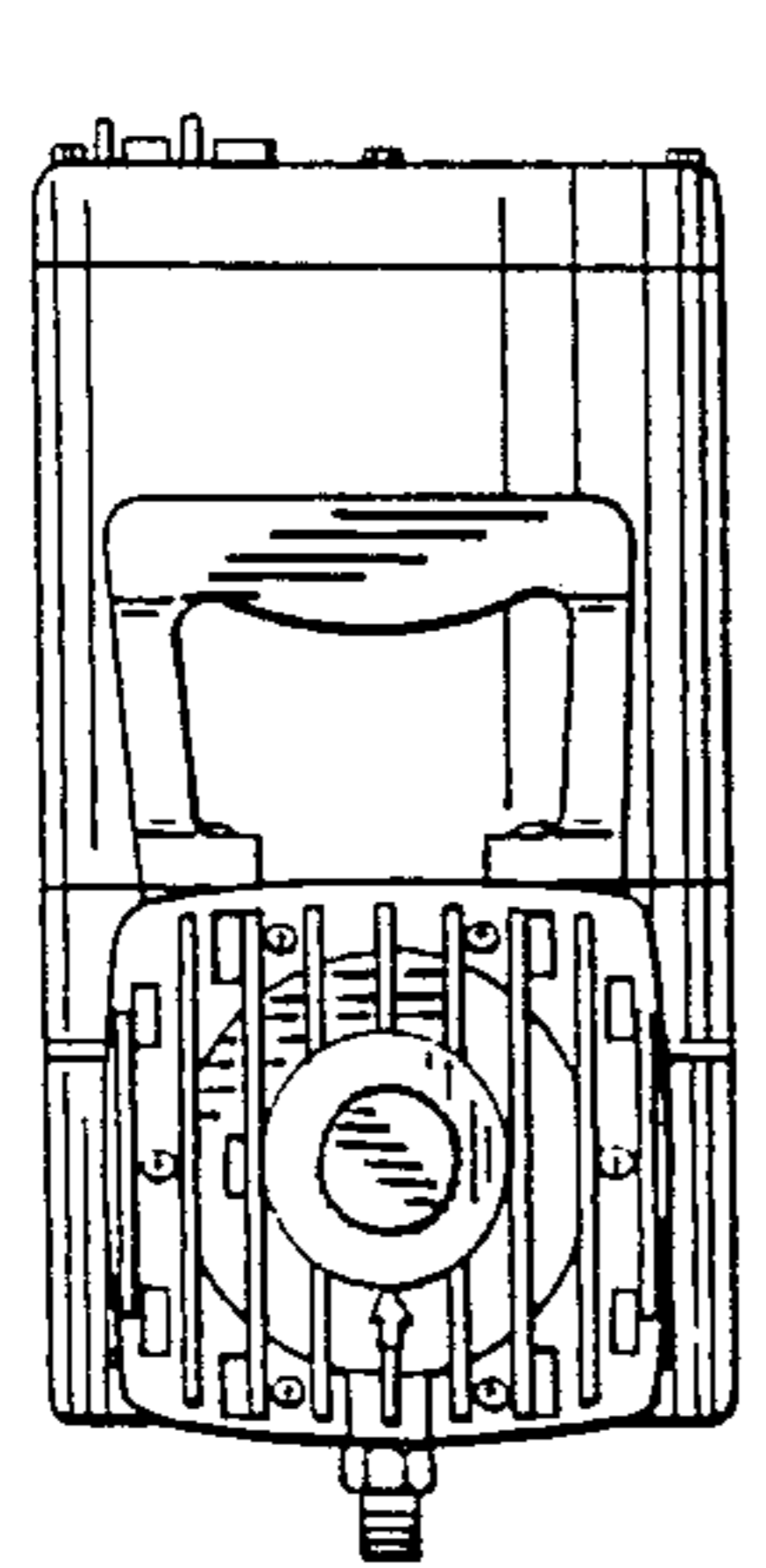


FIG. 5

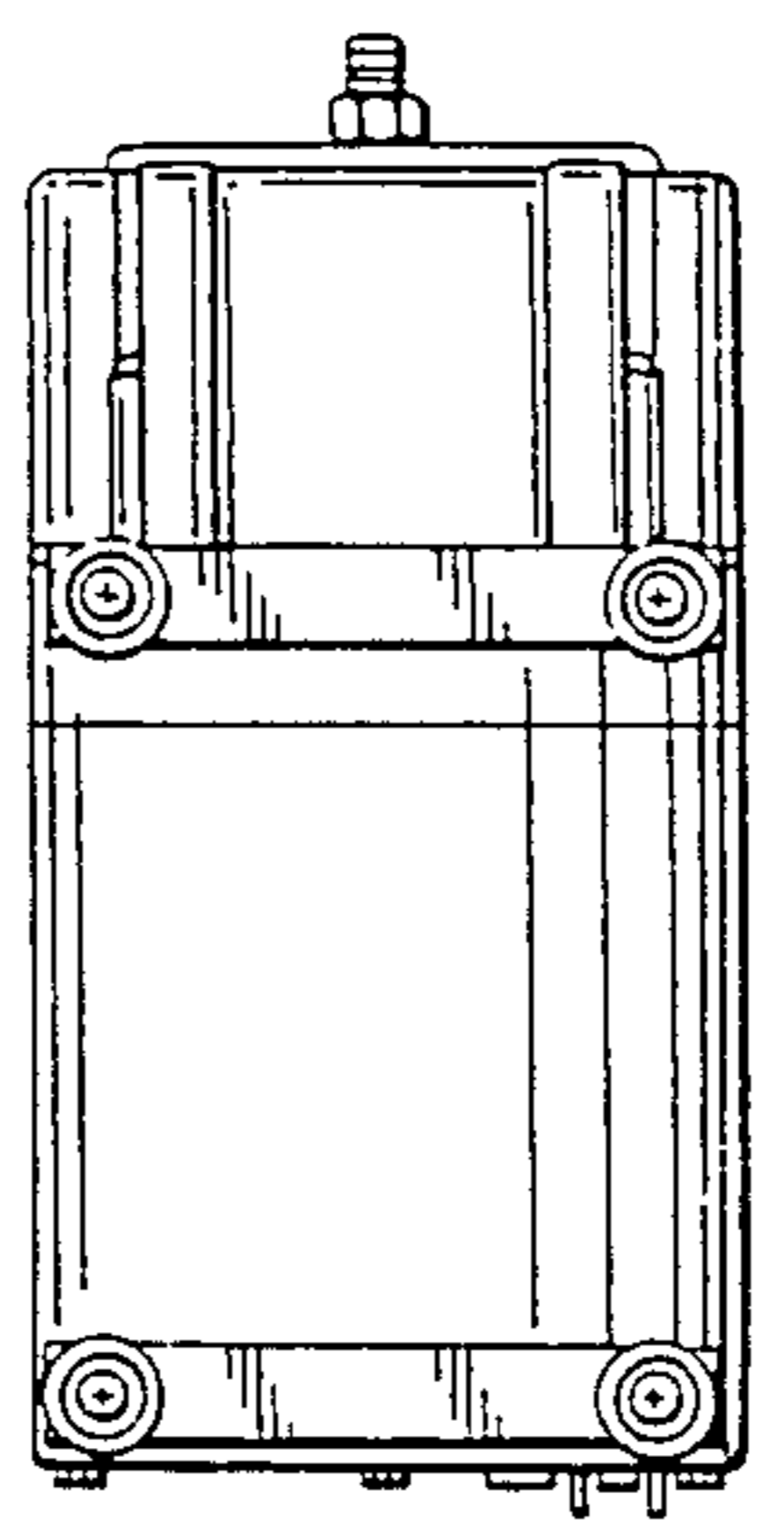


FIG. 6

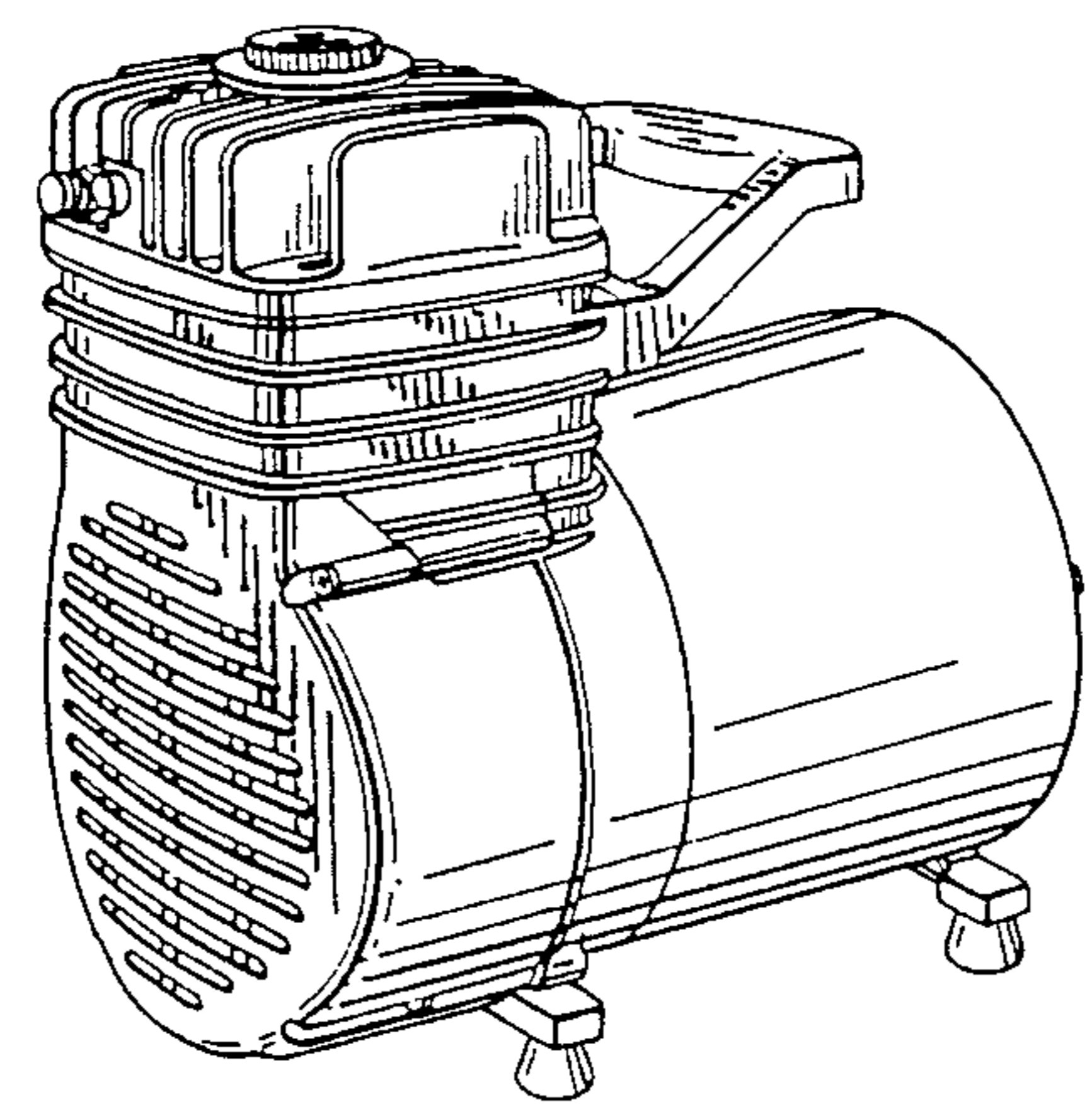


FIG. 7