

[54] CONSOLE WITH KEYBOARD

[75] Inventors: Louis J. Zervakos, Phoenix; Lisa D. Nolan, Scottsdale; Alan Welner, Phoenix, all of Ariz.

[73] Assignee: International Anasazi, Inc., Phoenix, Ariz.

[\*\*] Term: 14 Years

[21] Appl. No.: 718,940

[22] Filed: Apr. 2, 1985

[52] U.S. Cl. .... D14/107; D6/448

[58] Field of Search ..... D14/100, 102, 105, 106, D14/107, 114; D13/40, 41; 361/331, 332, 380, 390; D6/448, 446, 555

[56] References Cited

U.S. PATENT DOCUMENTS

D. 57,981	5/1921	Lockhart	.....	D6/448
D. 103,912	3/1937	Mandl	.....	D6/448 X
D. 266,672	10/1982	Landin	.....	D14/114
D. 287,678	1/1987	Hatcher et al.	.....	D14/114 X
4,483,572	11/1984	Story	.....	312/208

Primary Examiner—Susan J. Lucas  
Attorney, Agent, or Firm—Limbach, Limbach & Sutton

[57] CLAIM

The ornamental design for console with keyboard, as shown and described.

DESCRIPTION

FIG. 1 is a top, front perspective view of a console with keyboard showing our new design, the console in the closed position;

FIG. 2 is a top, front perspective view thereof, the drawer and keyboard in the open position;

FIG. 3 is a top plan view thereof in the closed position;

FIG. 4 is a side elevational view thereof;

FIG. 5 is a front elevational view thereof;

FIG. 6 is an opposite side elevational view thereof;

FIG. 7 is a bottom plan view thereof;

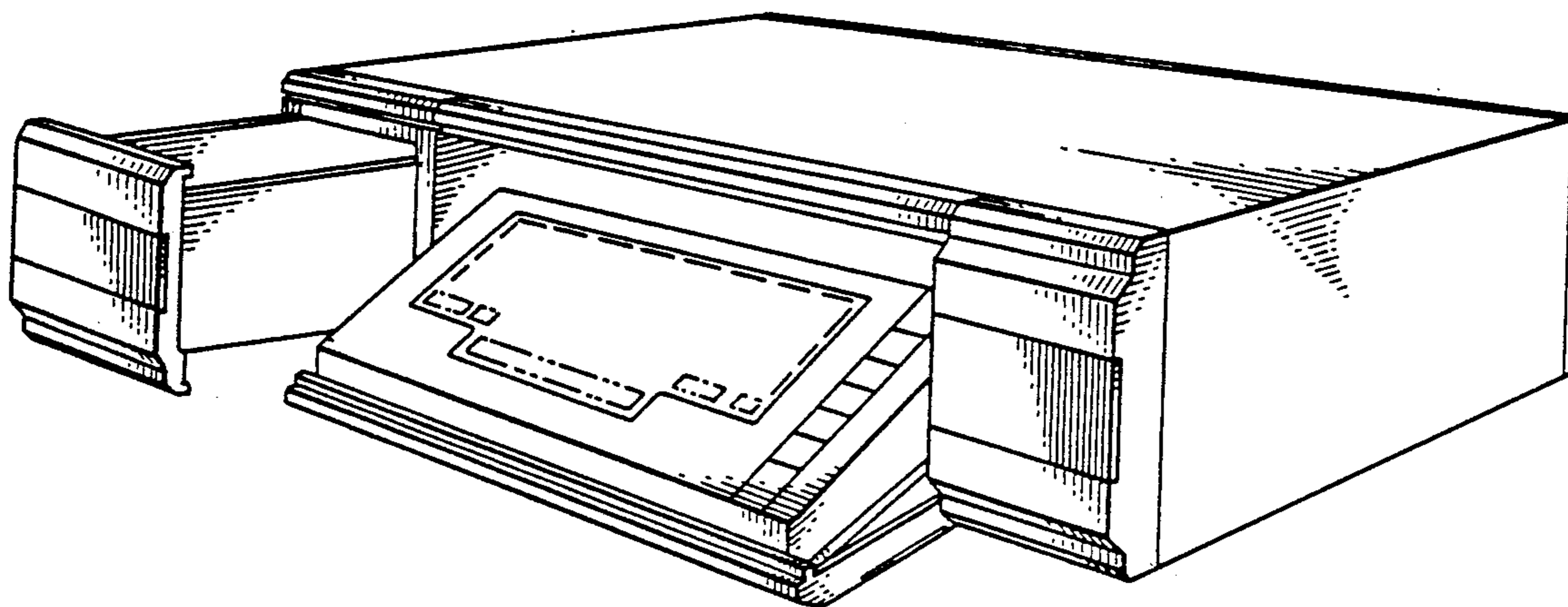
FIG. 8 is a rear elevational view thereof;

FIG. 9 is a top plan of the console in the open position;

FIG. 10 is a side elevational view thereof;

FIG. 11 is an opposite side elevational view thereof.

The keys are shown in broken lines on the keyboard for illustrative purposes only.



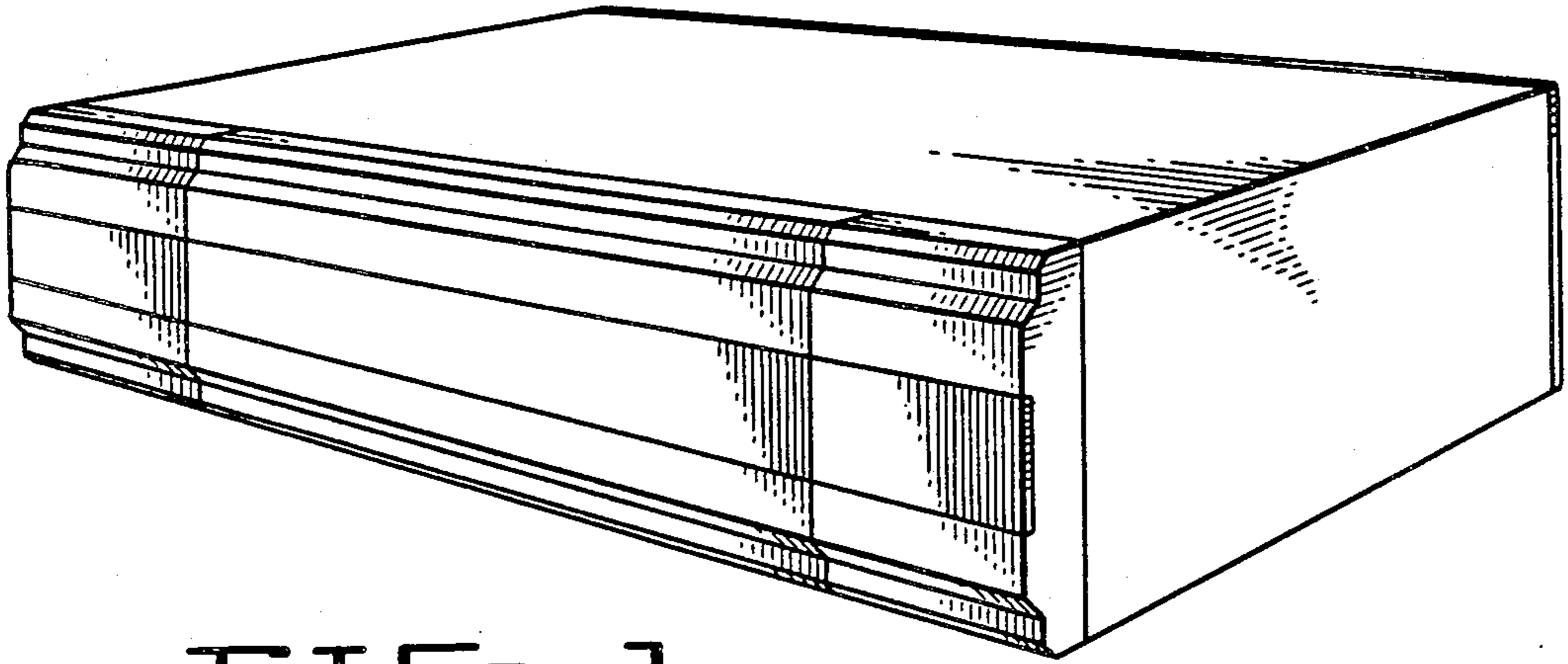


FIG. 1.

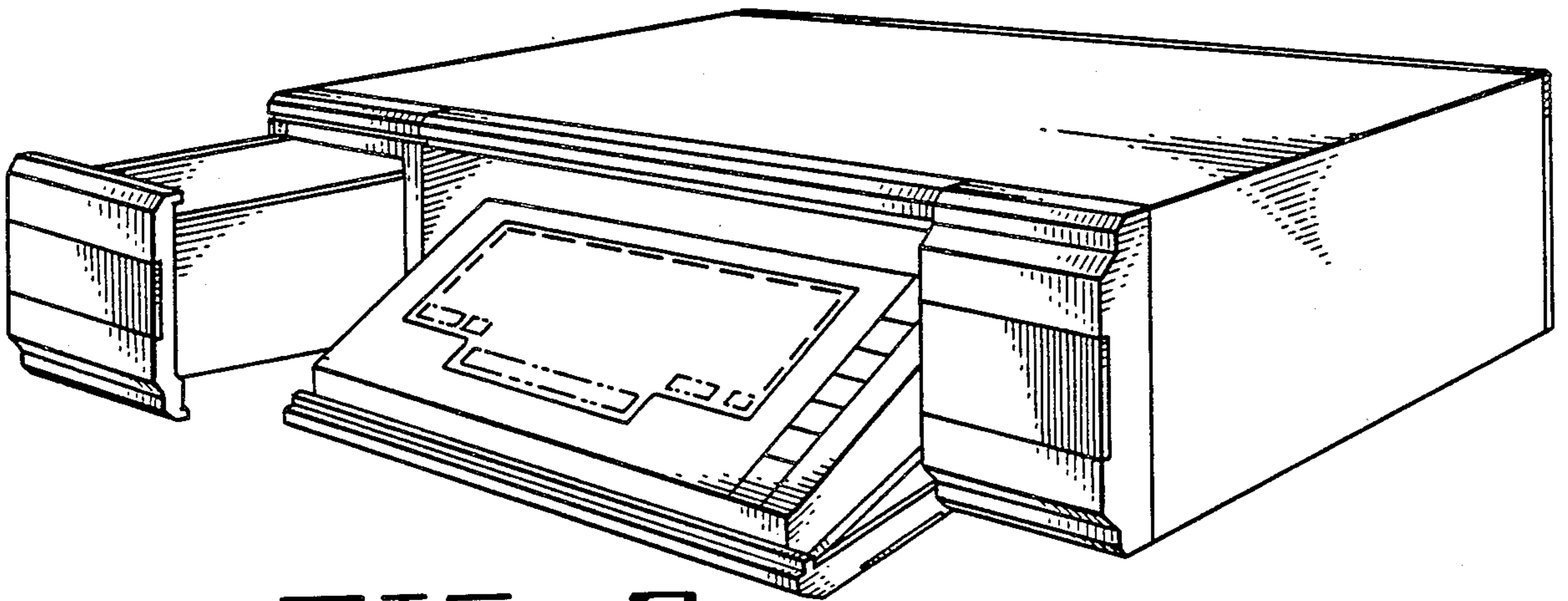


FIG. 2.

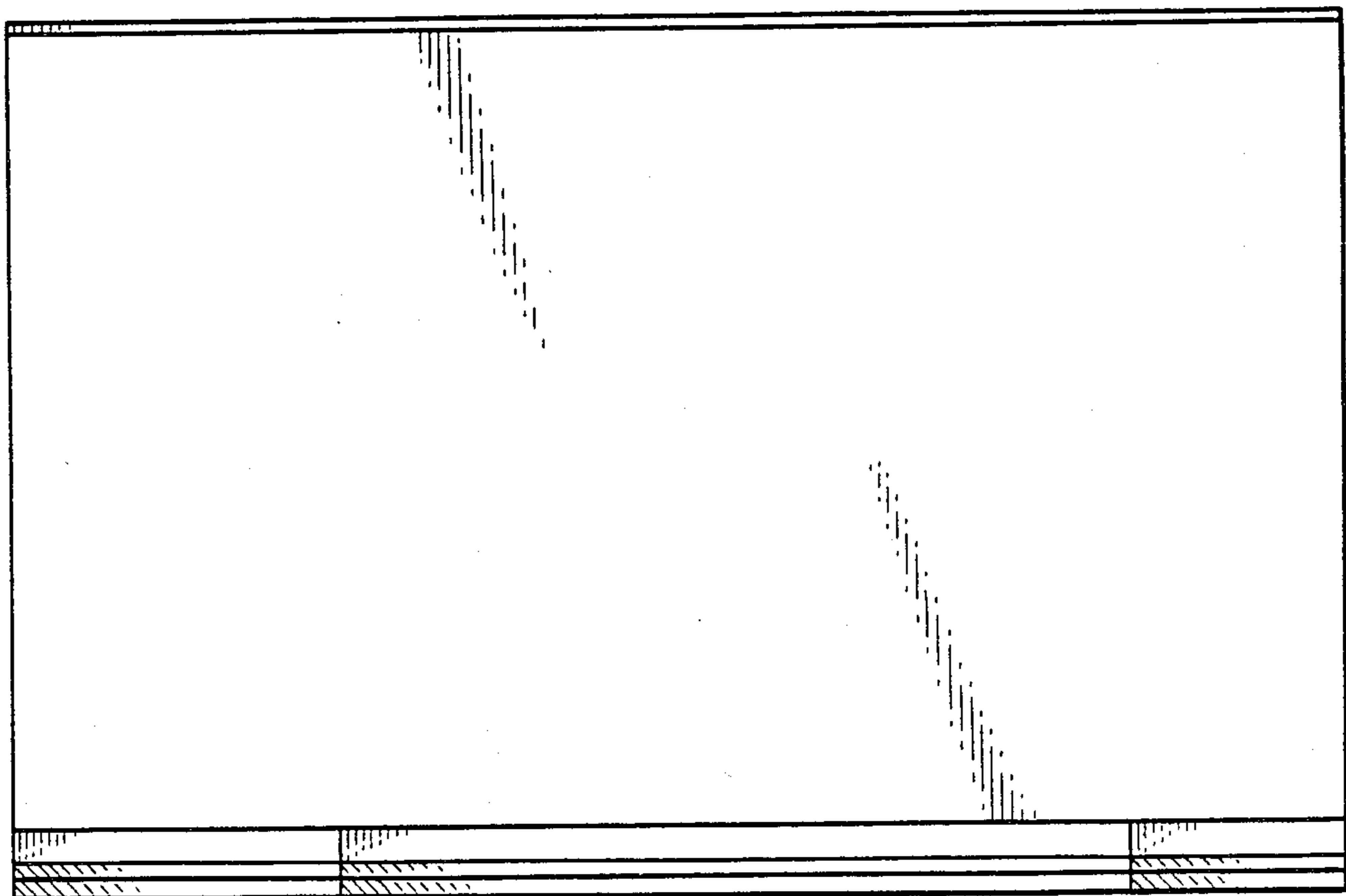


FIG. 3.

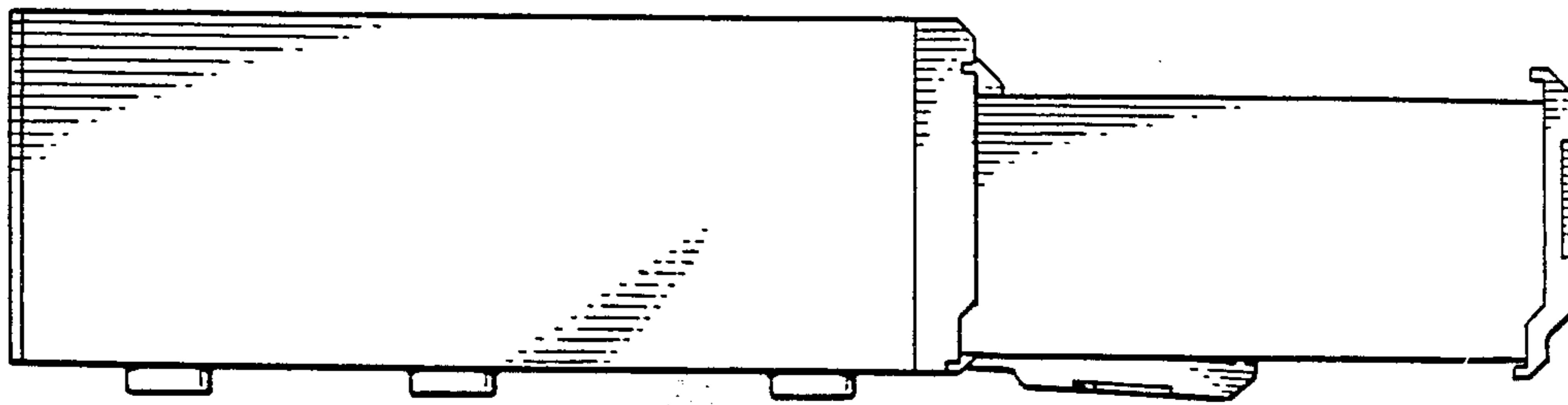


FIG. 11.

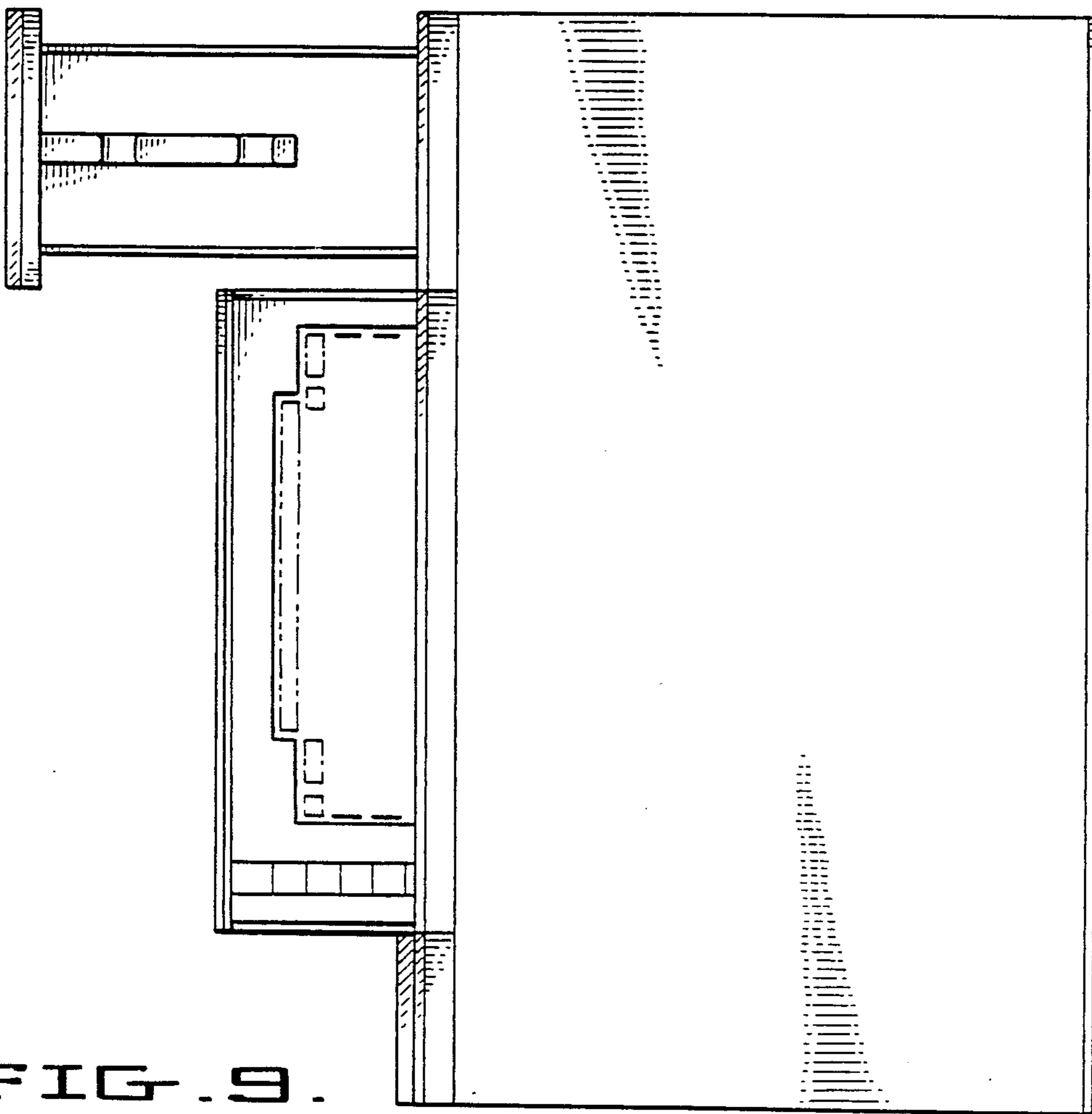


FIG. 9.

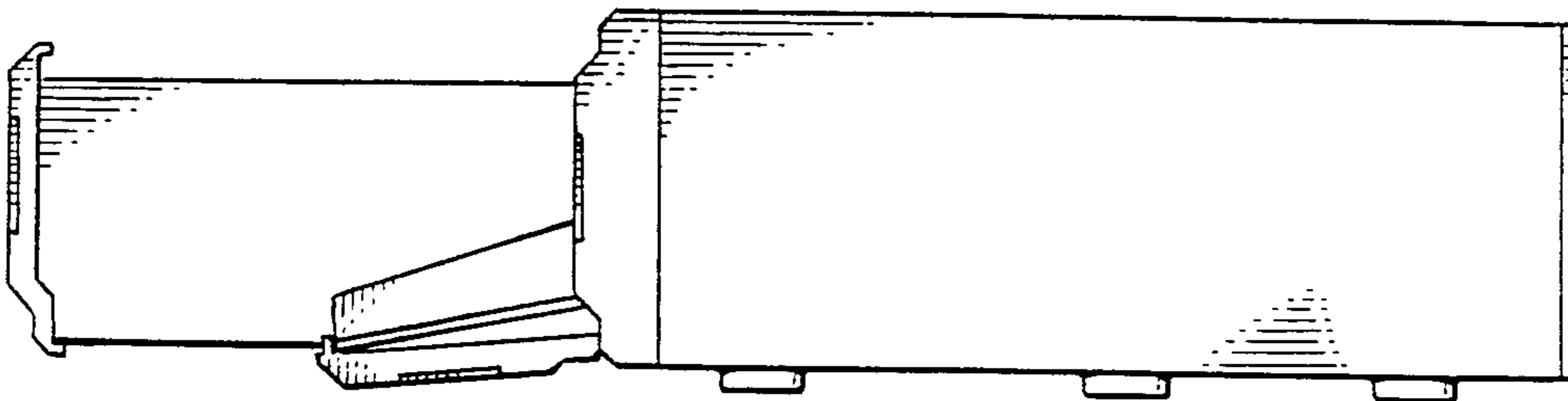


FIG. 10.

FIG  
.4.

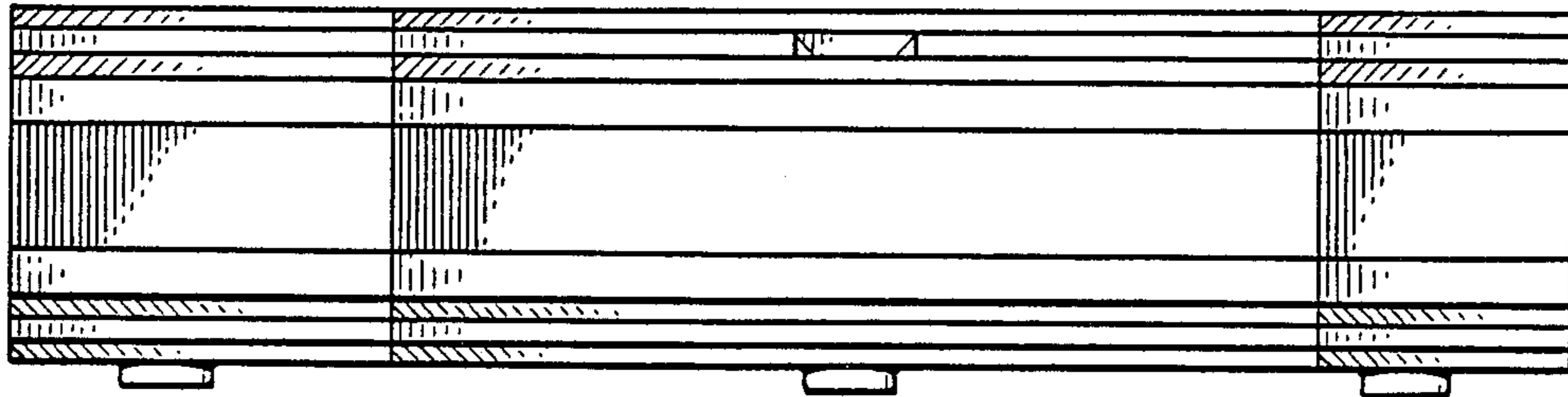
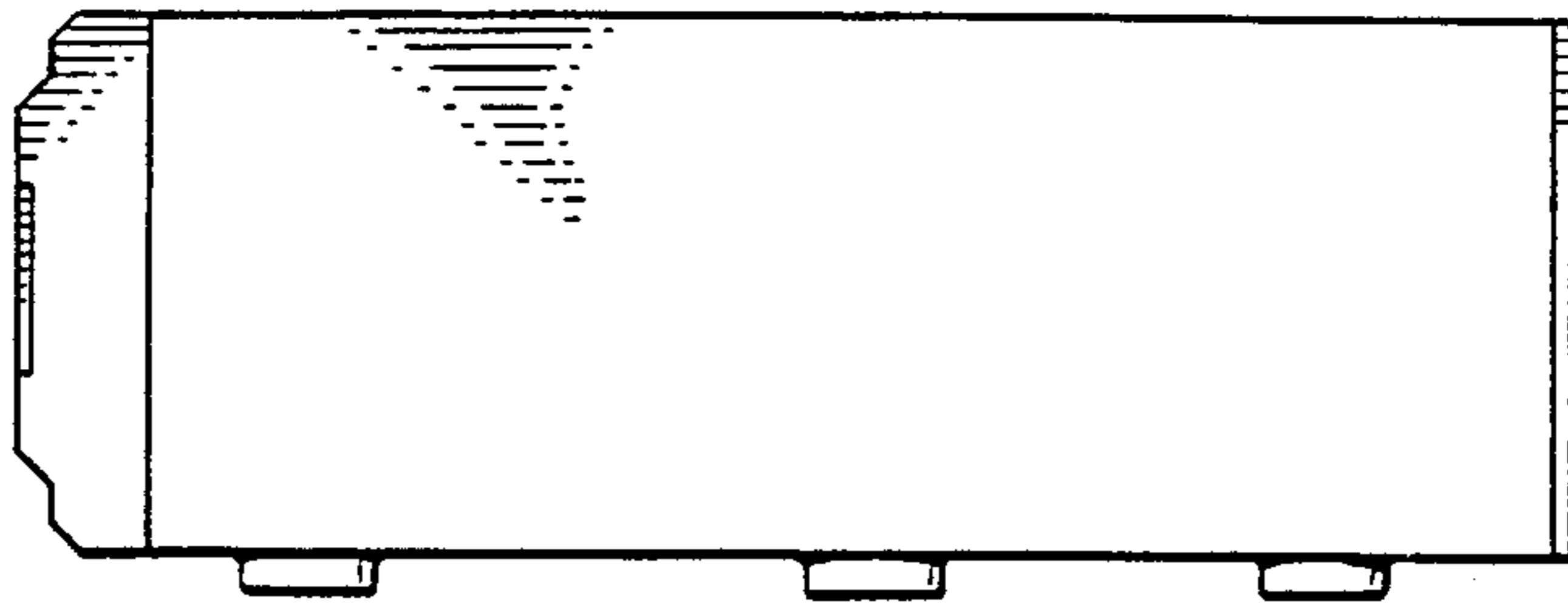


FIG  
.5.

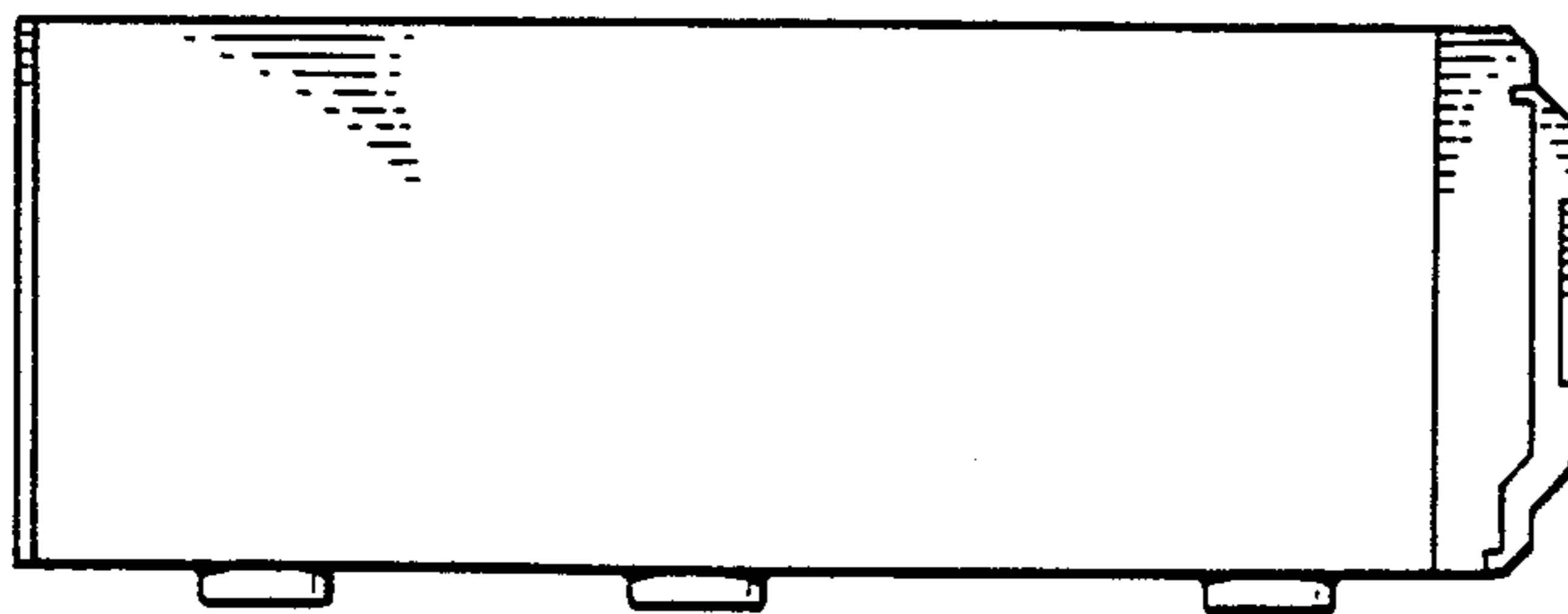


FIG  
.6.

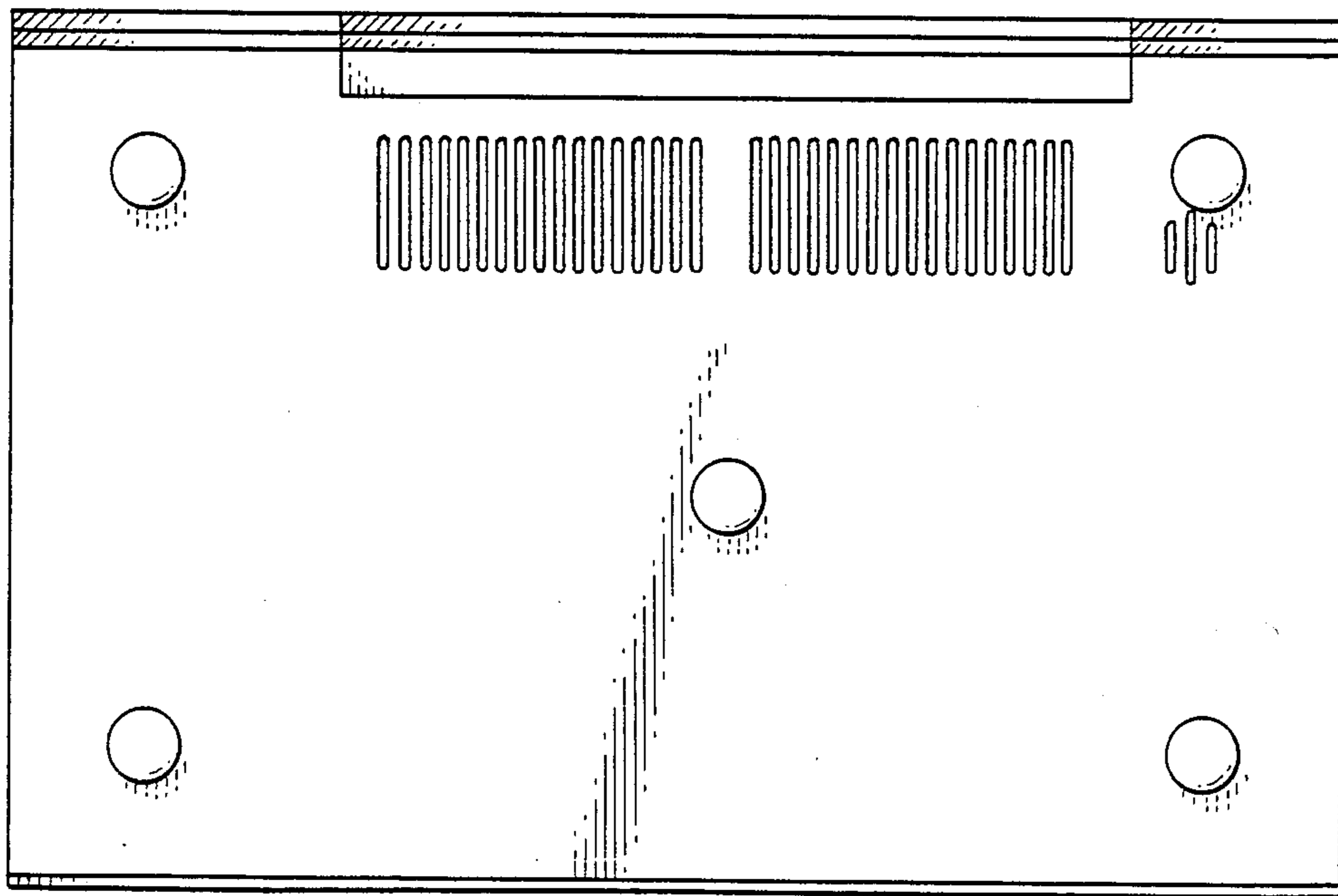


FIG  
.7.

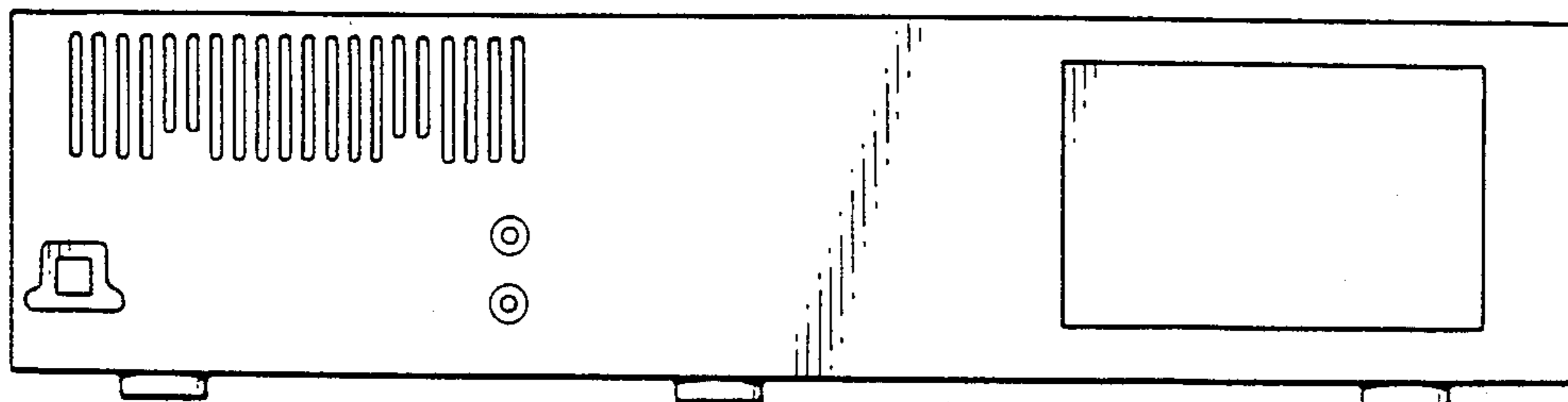


FIG  
.8.